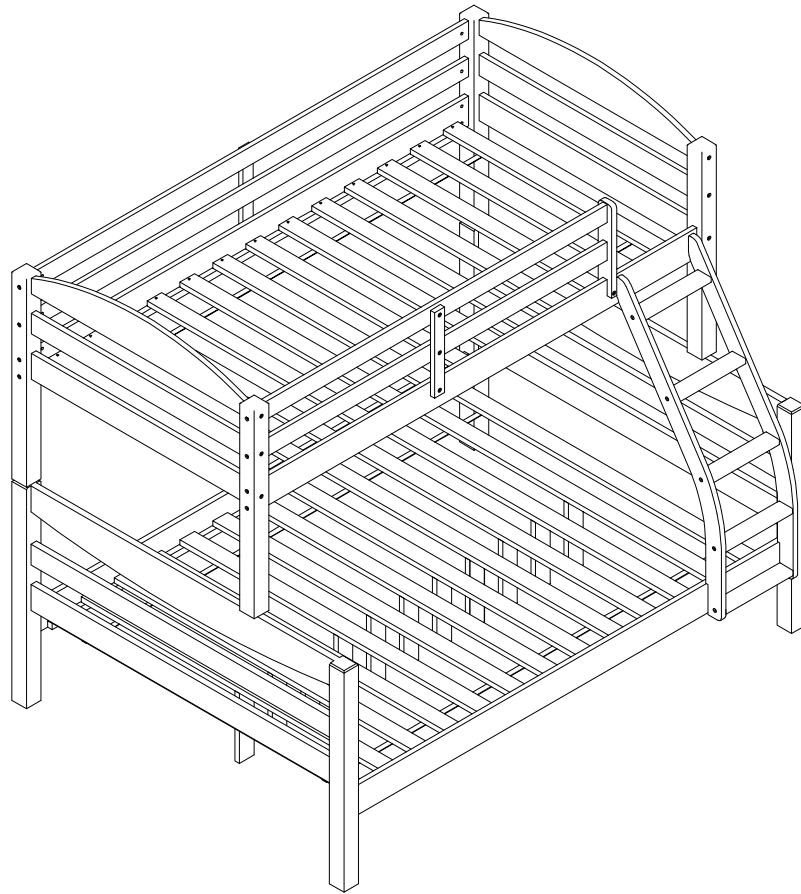


ASSEMBLY INSTRUCTION

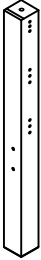






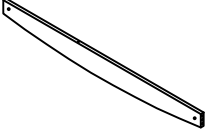
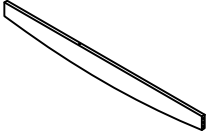
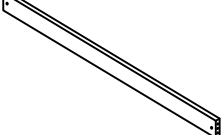

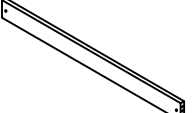


SAFETY WARNINGS

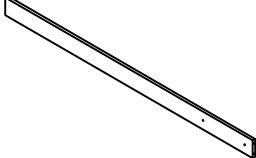
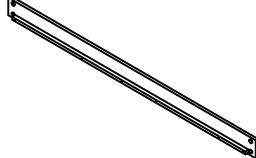
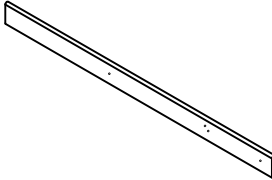
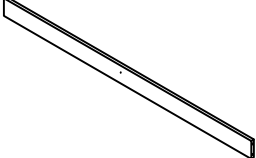
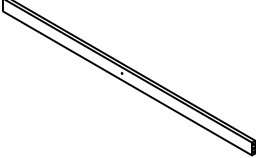
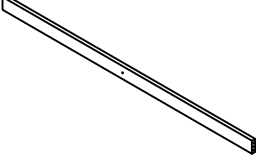


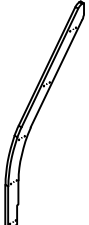

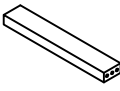
1. Follow the information on the warning label appearing on the upper bunk end structure and on the carton... **Do not remove warning label from bed.**
2. Always use the recommended size mattress or mattress support, or both, to help prevent the likelihood of entrapment or falls.
3. Surface of mattress must be at least 5 inches below the upper edge of guard rails.
4. Do not allow children under 6 years to use the upper bunk.
5. Prohibit more than one person on upper bunk.
6. Periodically check and ensure that the guardrail, ladder, and other components are in their proper position, free from damage, and that all connectors are tight.
7. Do not allow horseplay on or under the bed and prohibit jumping on the bed.
8. Always use the ladder for entering and leaving upper bunk.
9. Do not use substitute part. Contact the manufacturer or dealer for replacement part.
10. Use of night light may provide added safety precaution for a child using the upper bunk.
11. If the bunk bed will be placed next to a wall, the guardrail that runs the full length of the bed should be placed against the wall to prevent entrapment between the bed and the wall.
12. Always use guardrail on both long sides of the upper bunk.
13. The use of water or sleep flotation mattresses is prohibited.
14. Keep these instruction for future reference.
15. Strangulation Hazard - Never attach or hang items to any part of the bunk bed that are not designed for use with the bed, for example, but not limited to hooks, belts and jump rores.
16. ***Trundle : Only use for mattress 8 inch.***

PARTS LIST & ILLUSTRATION

Box 1 (A+B+A1+B1+C+D+E+FR+FL+G+H+I) ~~ Note : Do Not Fully Tighten Screws until Fully Assembled ~~

<p>A</p>  <p>Back bottom post right 1 pc</p>	<p>B</p>  <p>Back bottom post left 1 pc</p>	<p>A1</p>  <p>Front bottom post left 1 pc</p>	<p>B1</p>  <p>Front bottom post right 1 pc</p>	<p>C</p>  <p>Upper ports 2pcs</p>	<p>D</p>  <p>Upper ports 1pc</p>	<p>E</p>  <p>Front Upper post right 1 pc</p>
<p>FR</p>  <p>Bottom horizontal bar right 1 pc</p>	<p>FL</p>  <p>Bottom horizontal bar left 1 pc</p>	<p>G</p>  <p>Bottom horizontal bar 4 pcs</p>	<p>H</p>  <p>Upper horizontal bar 2 pcs</p>	<p>I</p>  <p>Upper horizontal bar 4 pcs</p>		

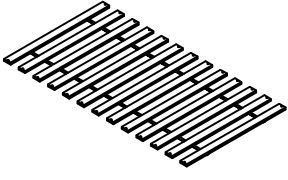
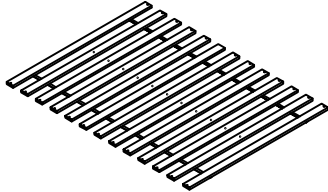

Box 2 (J+K+L+M+N+O+P+Q+U + V + W)

<p>J</p>  <p>Lower front side rail 1pc</p>	<p>K</p>  <p>Lower back side rail 1pc</p>	<p>L</p>  <p>Front upper side rail 1pc</p>	<p>M</p>  <p>Upper back side rail 1pc</p>
<p>N</p>  <p>Front guard rail bars 2pcs</p>	<p>O</p>  <p>Back guard rail bars 2pcs</p>	<p>P</p>  <p>Guardrail reinforce bars 2pcs</p>	<p>Q</p>  <p>Front side Guardrail bars 1pc</p>
<p>U</p>  <p>Ladder left side rail 1pc</p>	<p>V</p>  <p>Ladder right side rail 1pc</p>	<p>W</p>  <p>Ladder steps 5 pcs</p>	

PARTS LIST & ILLUSTRATION

~~ Note : Do Not Fully Tighten Screws until Fully Assembled ~~

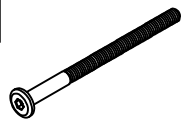
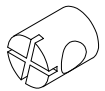
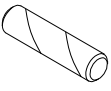
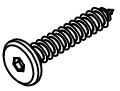

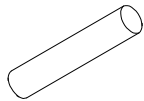





Box C (R + S + T)

<p>R</p>  <p>Upper slat 1 set(1 set = 13 slat)</p>	<p>S</p>  <p>Bottom slat 1 set (1 set = 13 slat)</p>	<p>T</p>  <p>Center supports 11 pcs</p>	
--	--	--	--

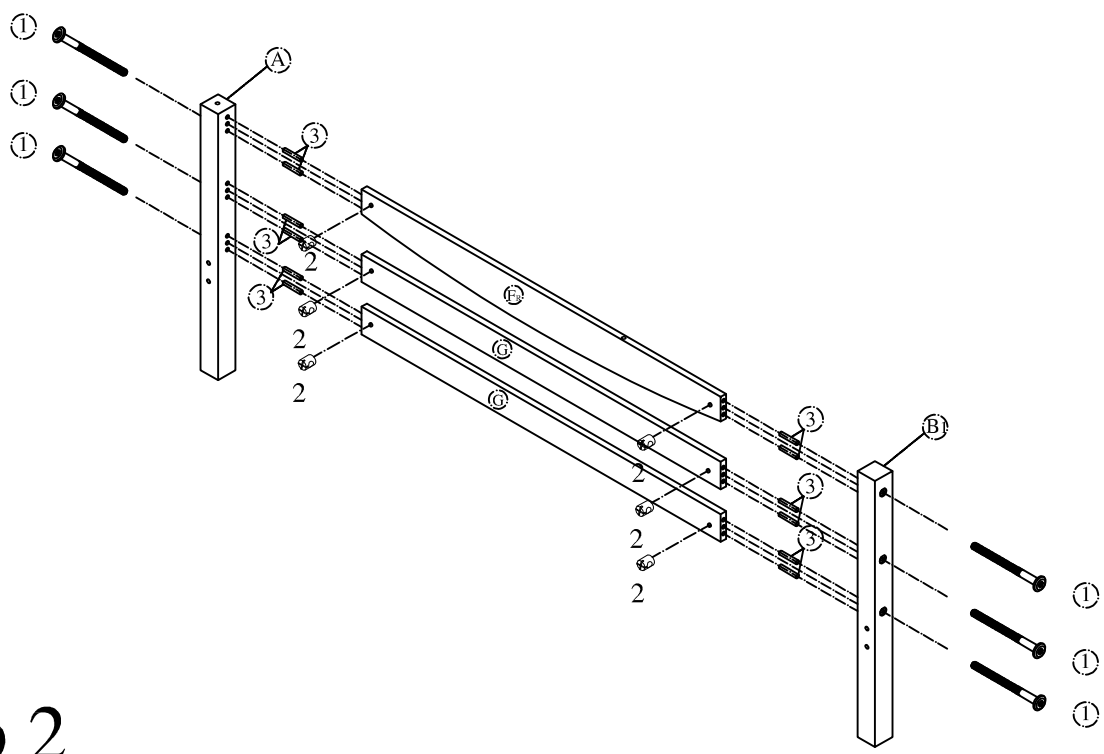
HARDWARE & ILLUSTRATION

~~ Note : Do Not Fully Tighten Screws until Fully Assembled ~~

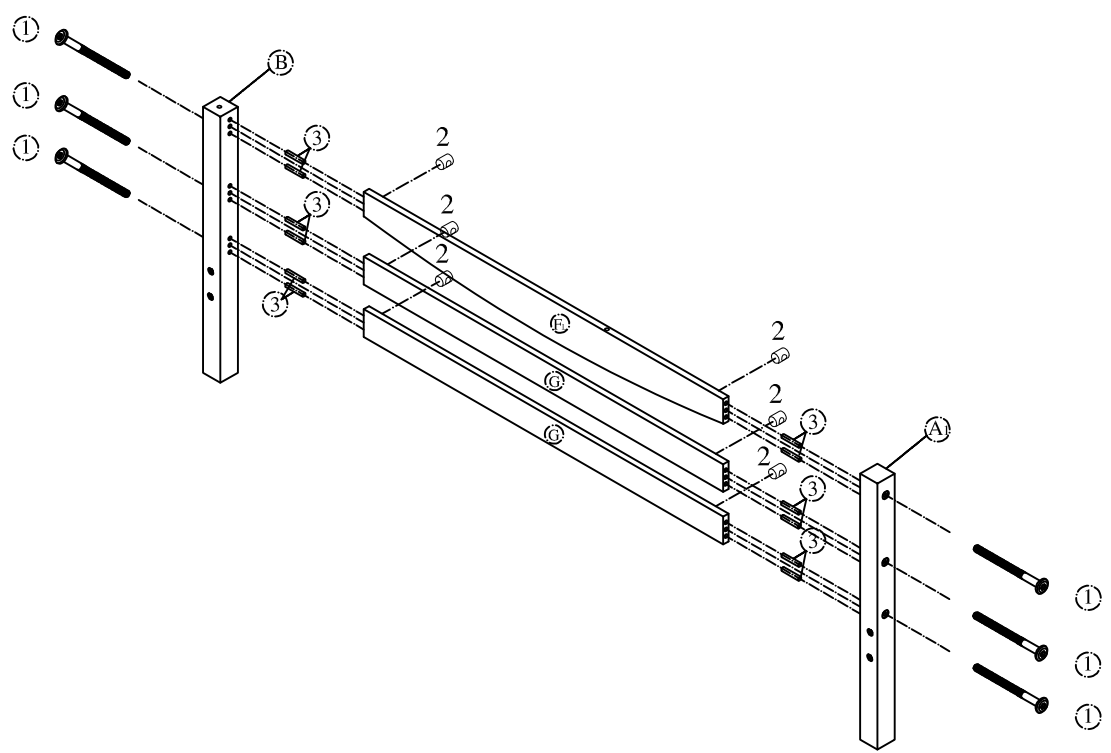
Packed in box 1

<p>1</p>  <p>Ø15 x Ø1/4" x 100 mm Hex-Head bolts 46 pcs</p>	<p>2</p>  <p>Ø10 x Ø1/4" x 12mm Nut 59 pcs</p>	<p>3</p>  <p>Ø8 x 30 mm Wood dowel 84 pcs</p>	<p>4</p>  <p>Ø15 x Ø1/4" x 50 mm Hex-Head bolts 10 pcs</p>	<p>5</p>  <p>Ø15x Ø1/4" x 30mm Hex-Head bolts 6 pcs</p>
<p>6</p>  <p>Ø10 x 90 mm Stell dowel 4pcs</p>	<p>7</p>  <p>Ø8 x 35 mm Wood Screws 52 pcs</p>	<p>8</p>  <p>Allen Key 2 pcs</p>	<p>9</p>  <p>Ø15 x Ø1/4" x 65mm Hex-Head bolts 13 pcs</p>	<p>10</p>  <p>Ø15 x Ø1/4" x 45 mm Hex-Head bolts 5 pcs</p>
<p>11</p>  <p>Ø13 x Ø7.8 x 1/4" x 20 mm Nut: 1 Pc</p>				

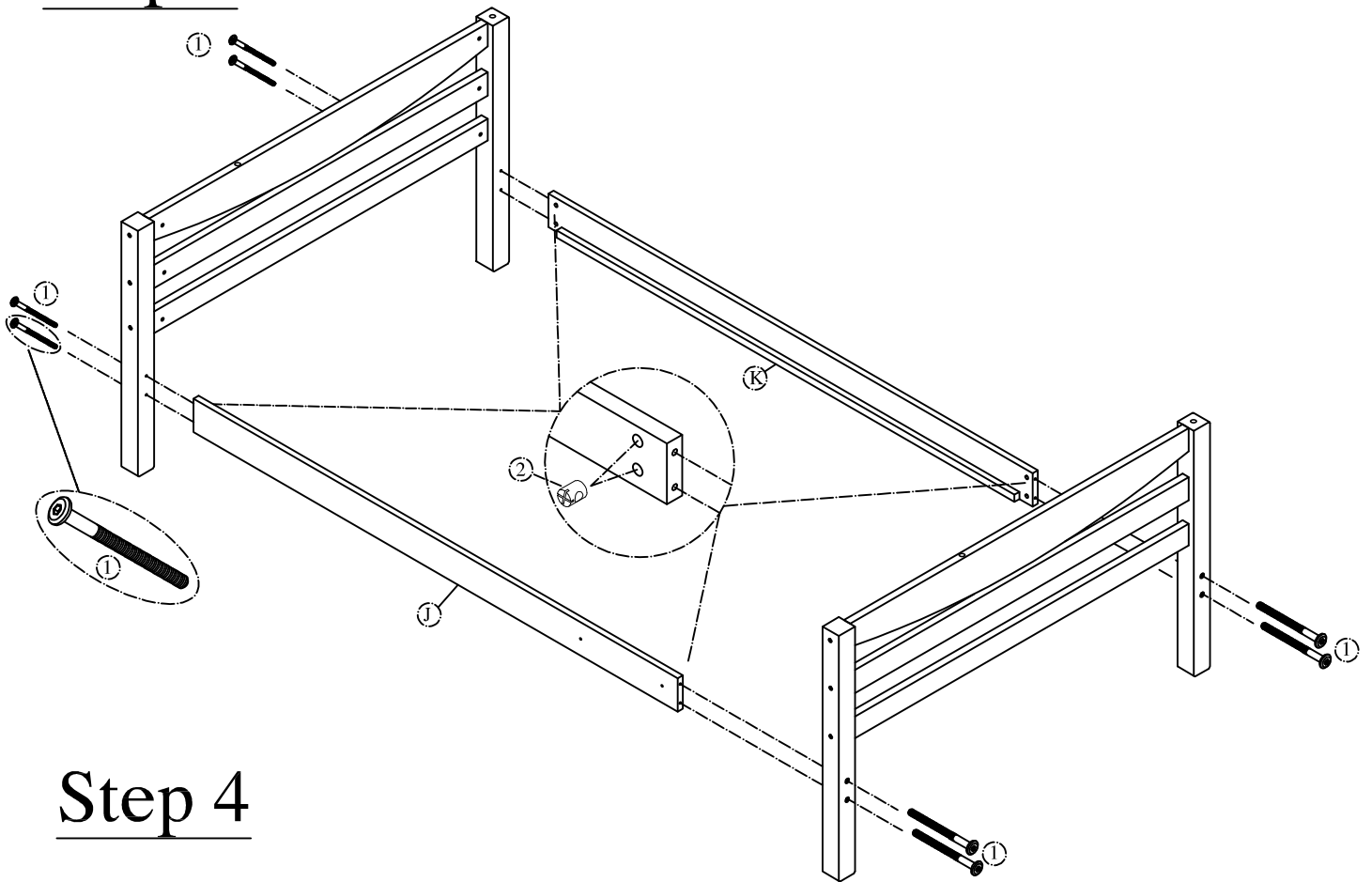
Step 1



Step 2

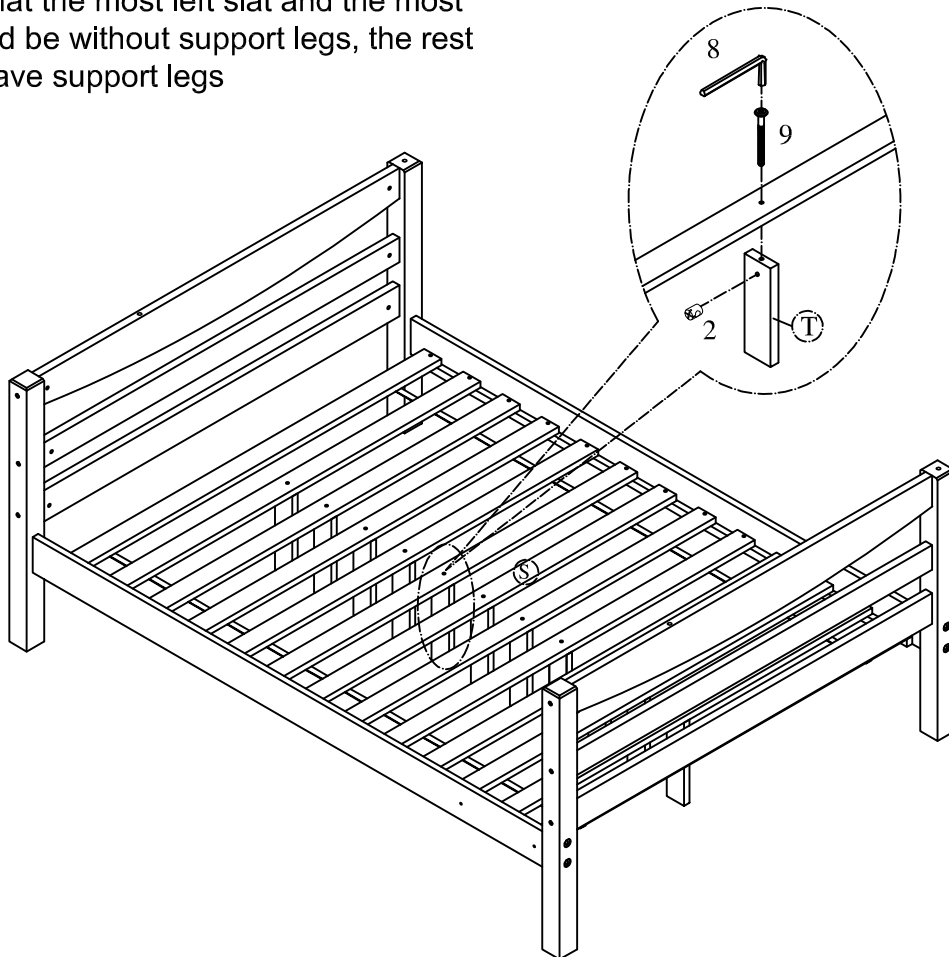


Step 3



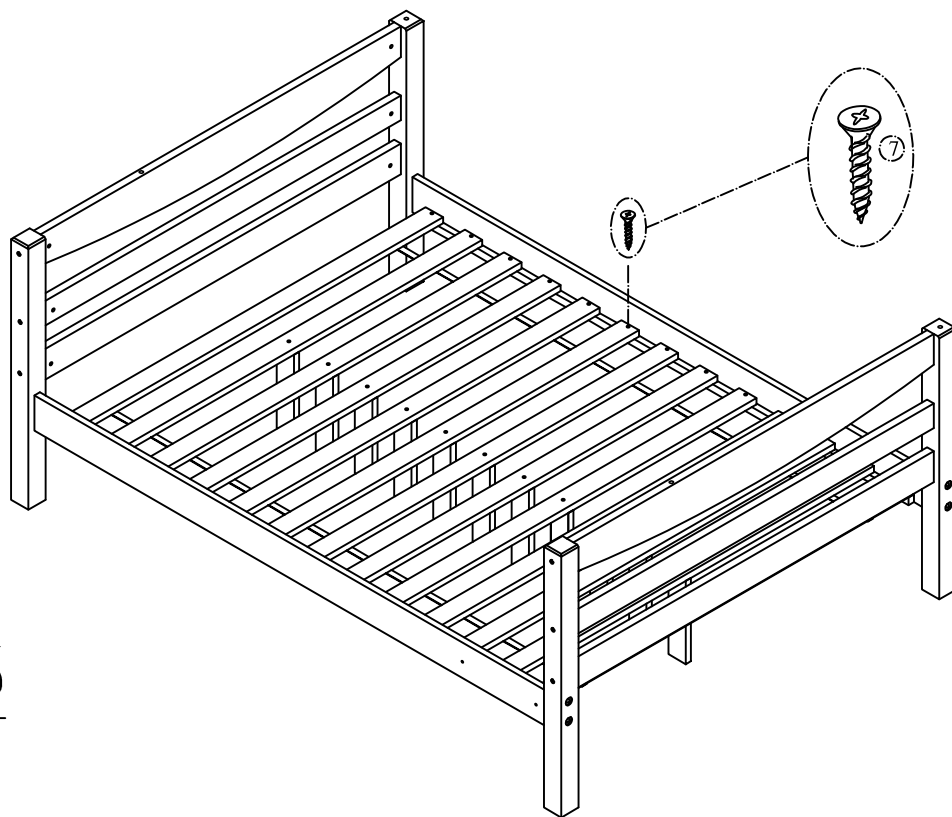
Step 4

Note: When put the slats and support legs together, please know that the most left slat and the most right slat should be without support legs, the rest ones should have support legs

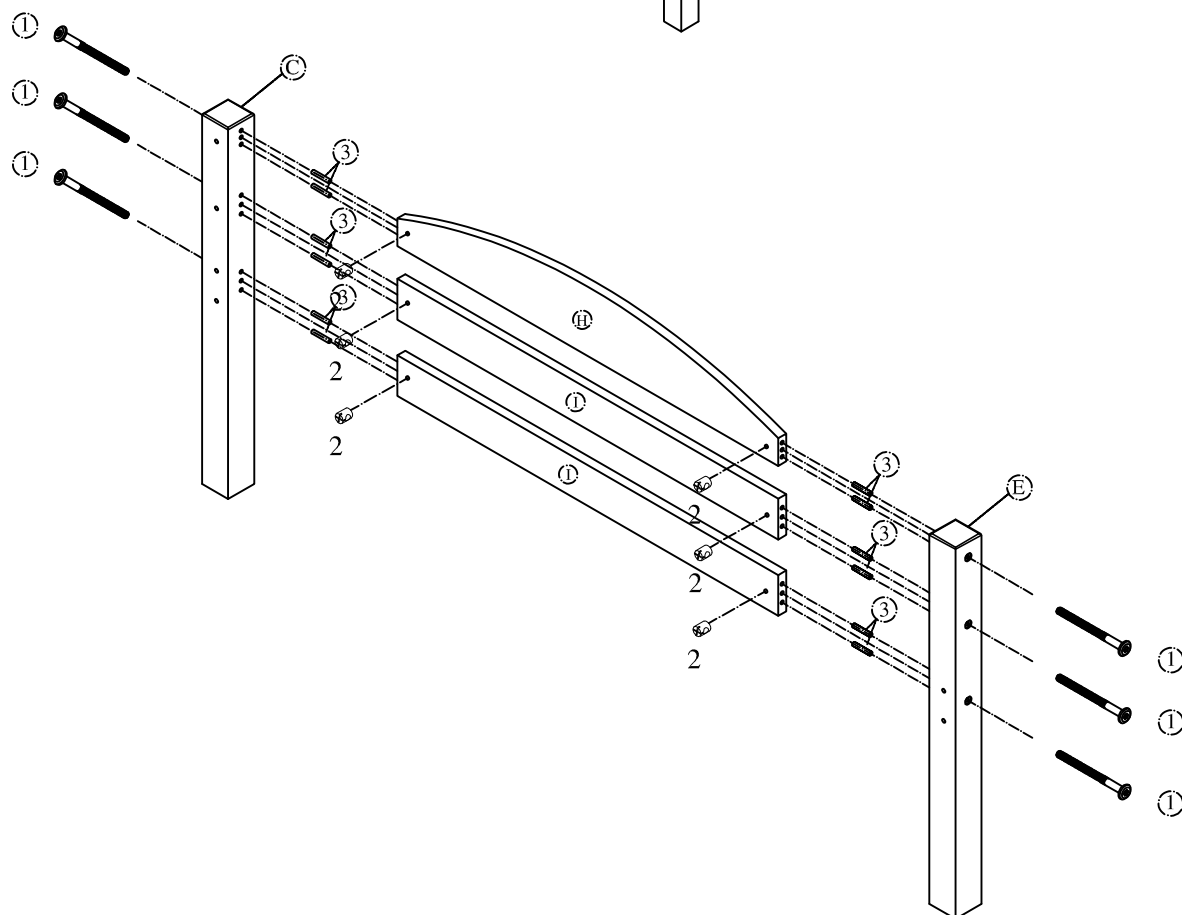


Step 5

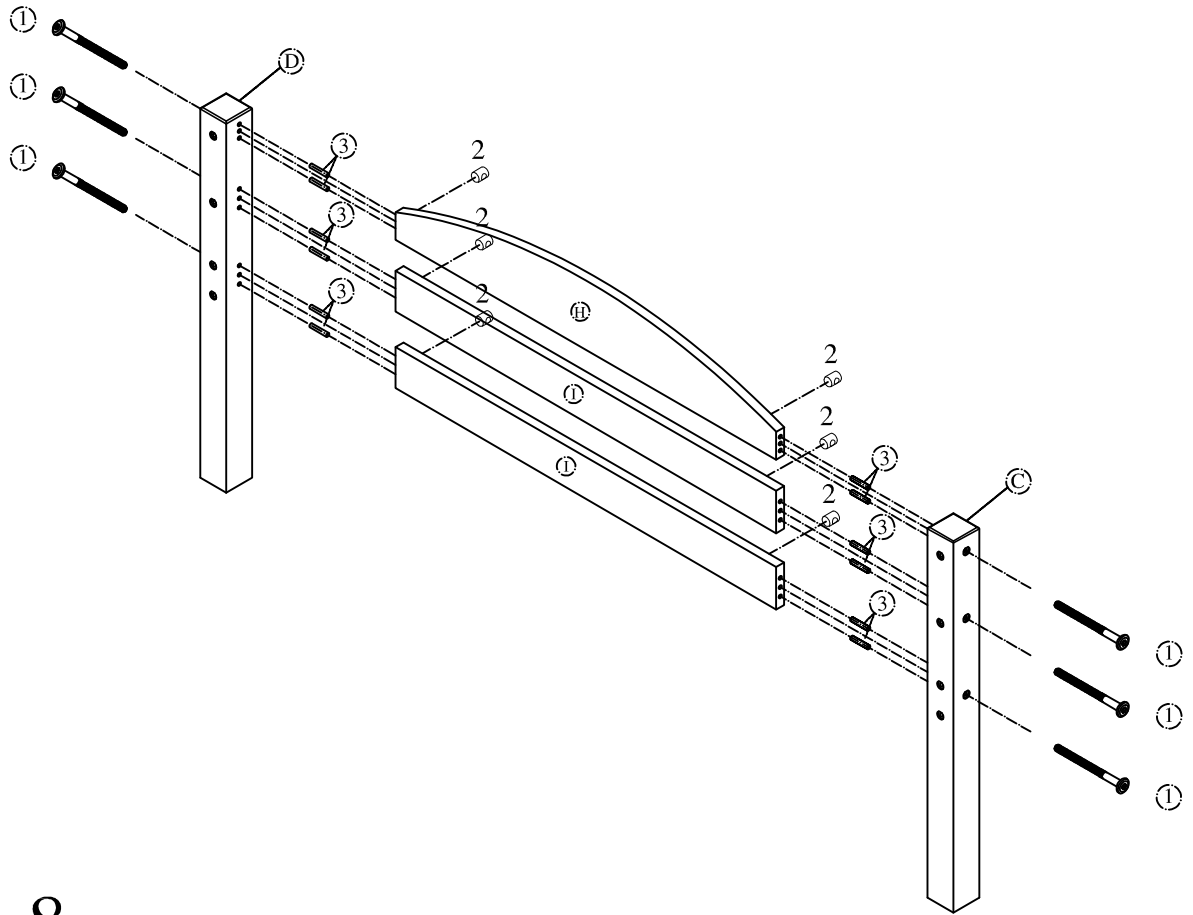
NOTE: The slats have been precisely sized to fit standard mattresses. Side rails must be pushed together so that the slats are installed firmly on the slat support edge.



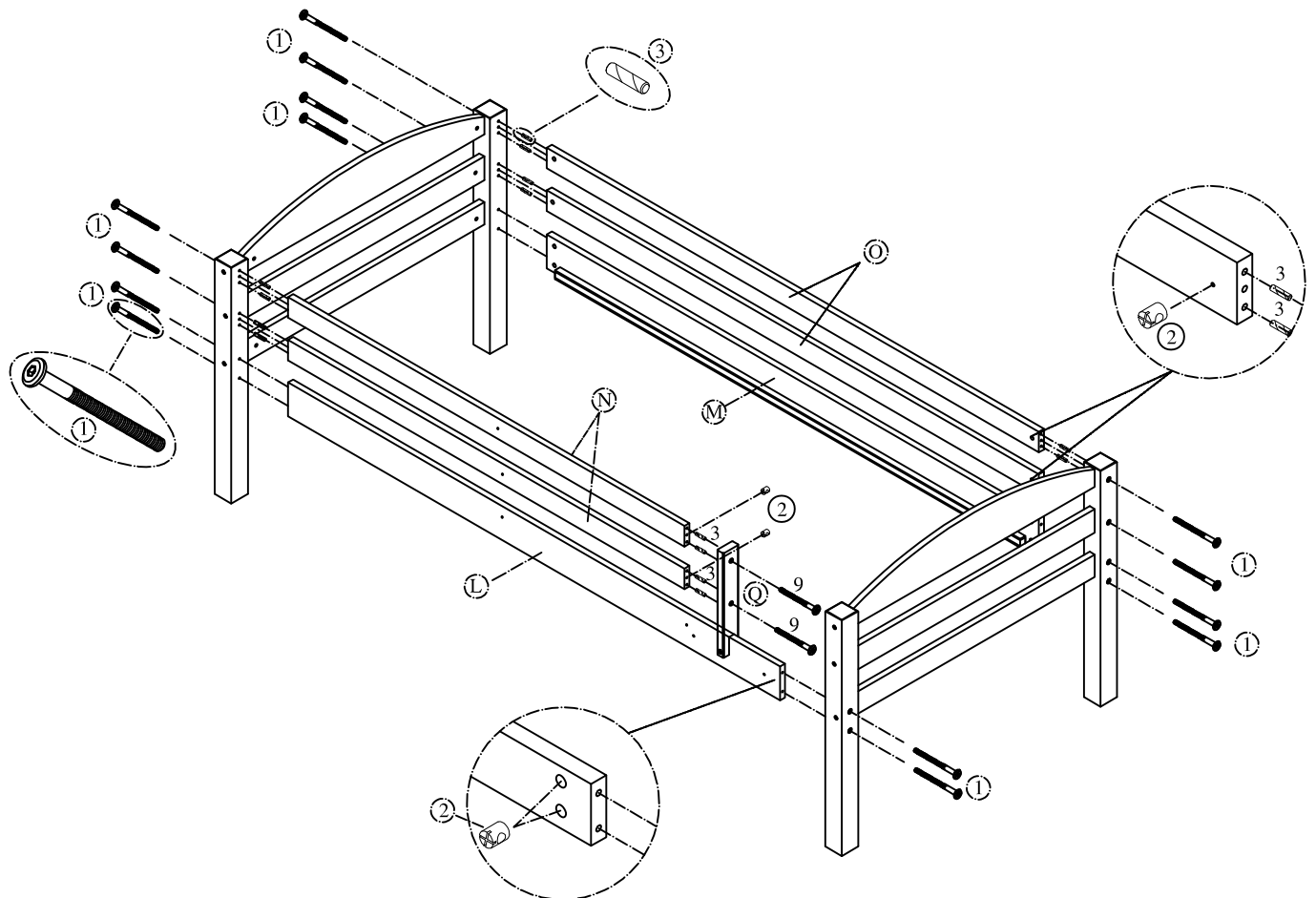
Step 6



Step 7

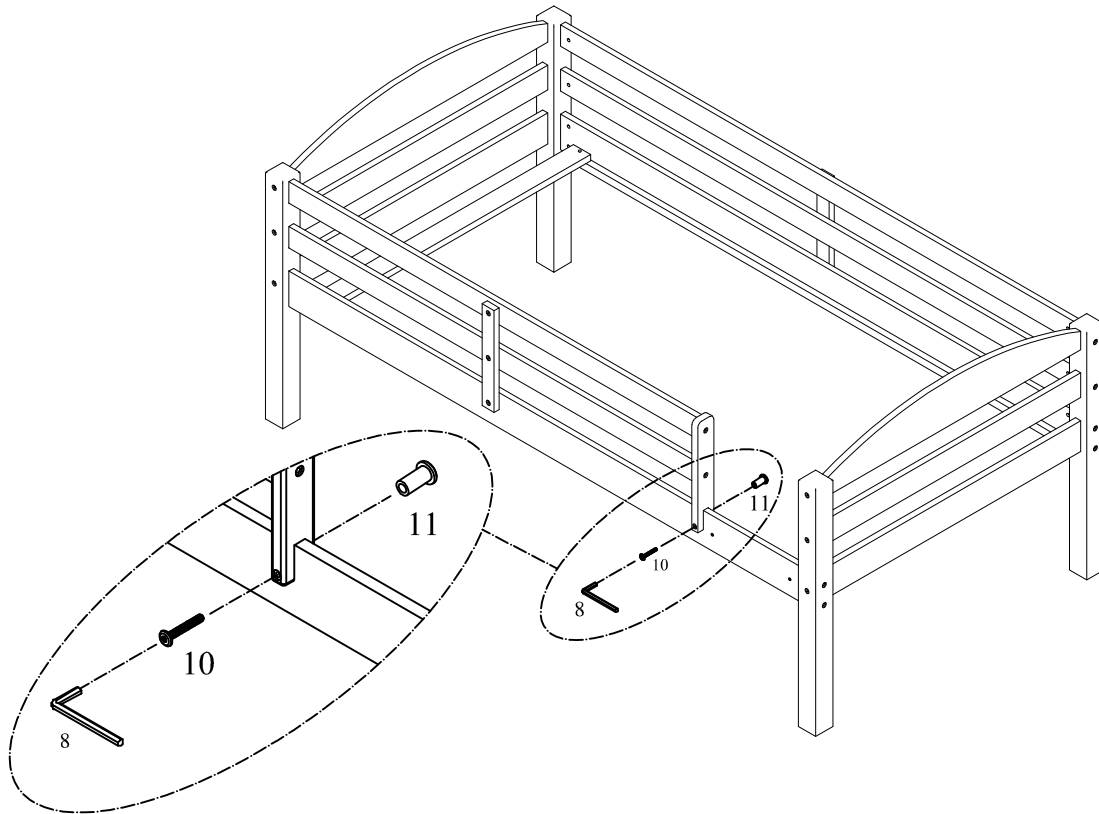


Step 8



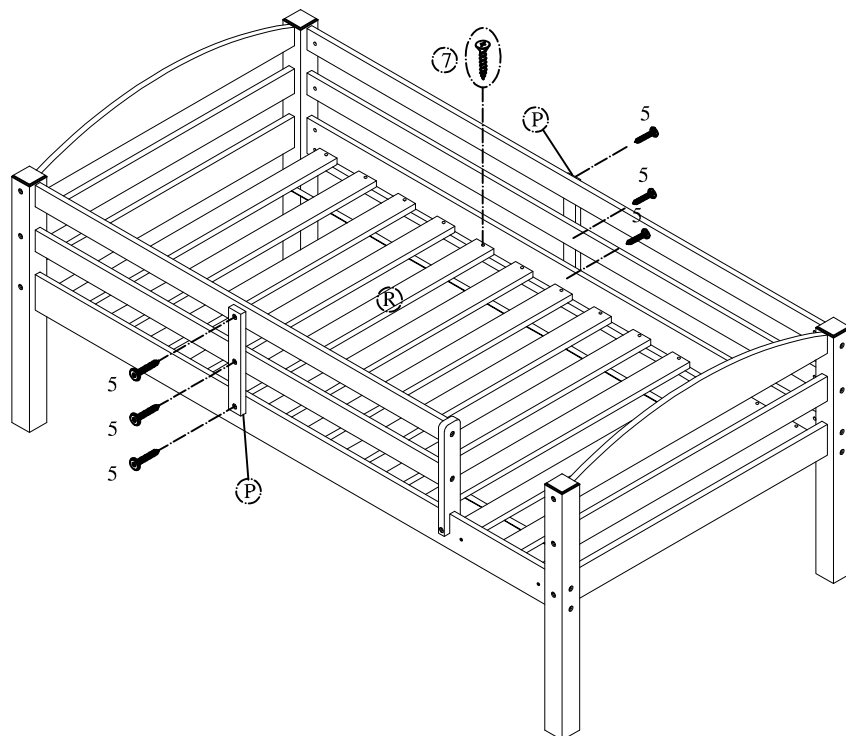
Step 9

8

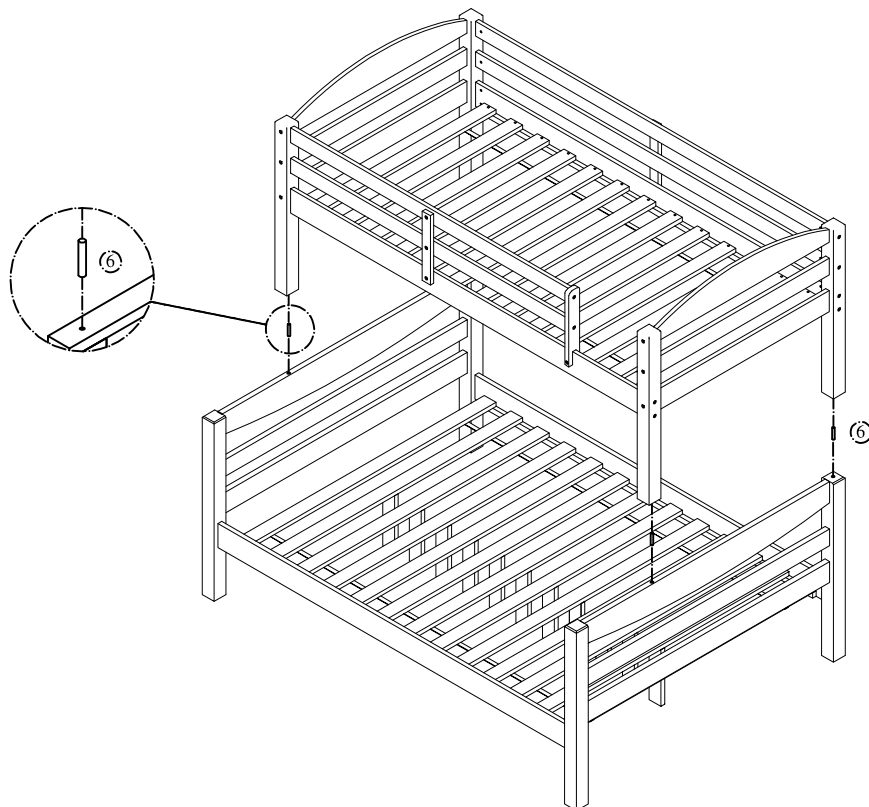


Step 10

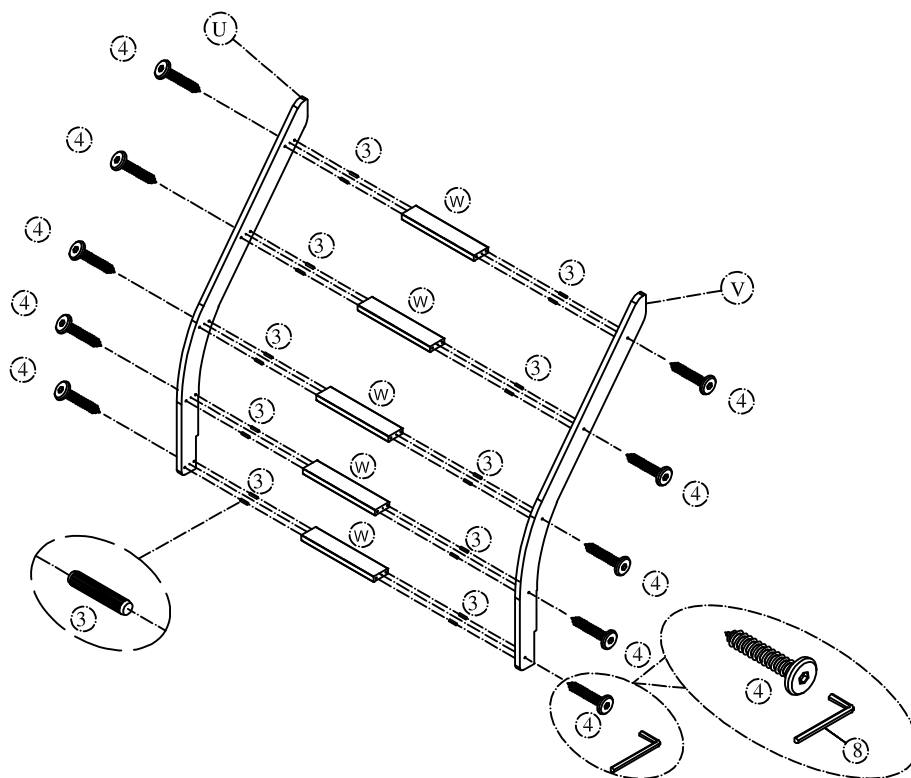
NOTE: The slats have been precisely sized to fit standard mattresses. Side rails must be pushed together so that the slats are installed firmly on the slat support edge.



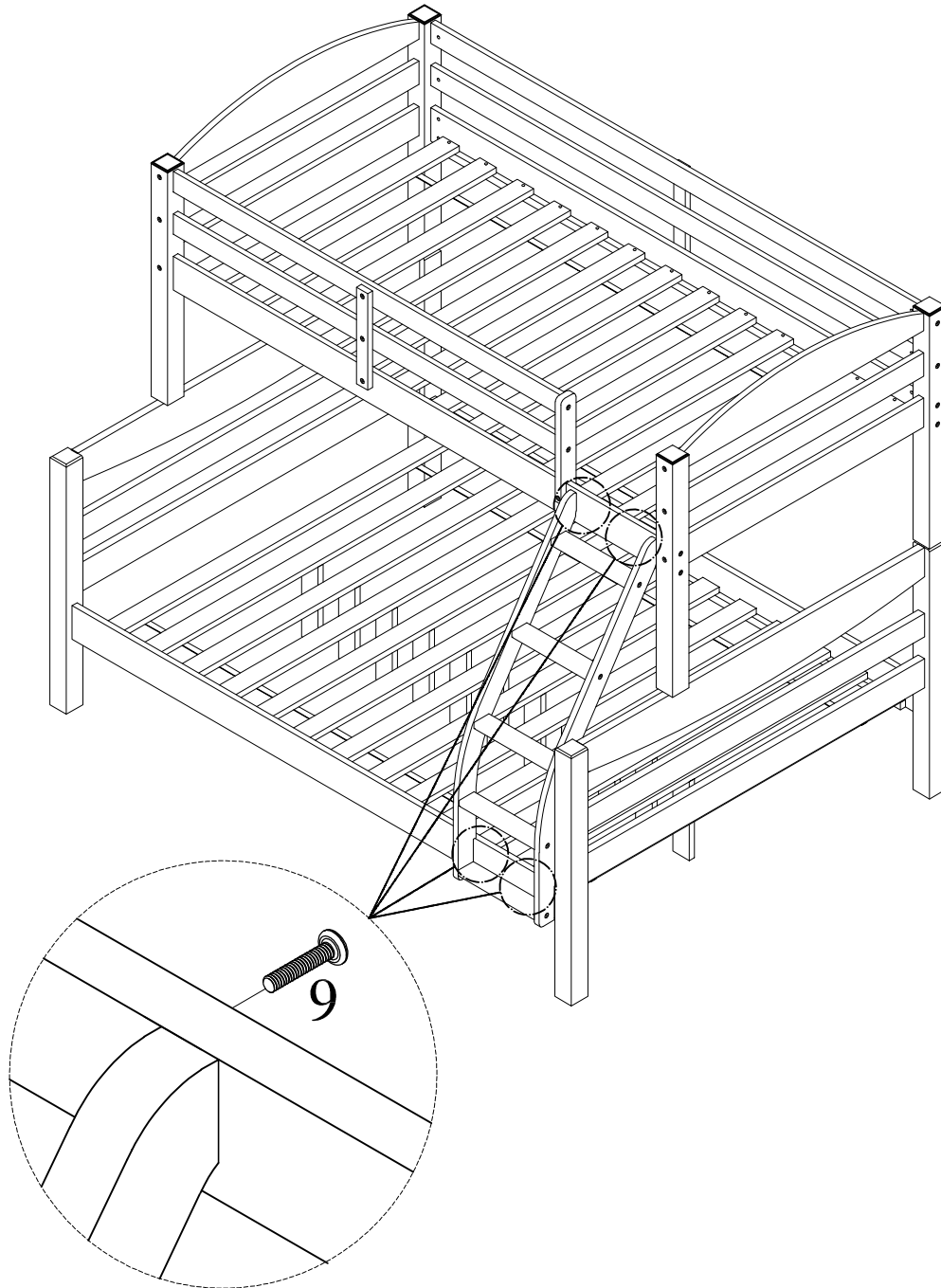
Step 11



Step 12



Step 13



ASSEMBLY COMPLETED