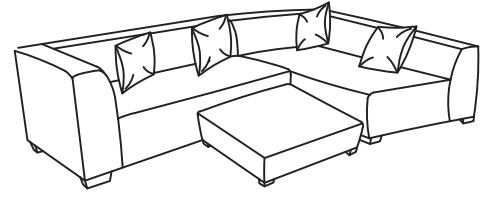


# Sectional Assembly Instructions

Your sectional comes packaged in three boxes.

**DO NOT use any sharp objects to open plastic wrapped components as damage to product or components may result.**

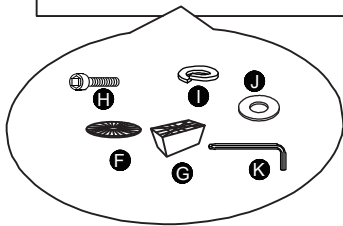
Carefully remove all of the components from the packaging and set aside for assembly. Assemble on a soft surface to prevent scratching the finish.



| Parts List               |  | Hardware List                   |                 |
|--------------------------|--|---------------------------------|-----------------|
| <b>A</b> 2 x Backs       |  | <b>E</b> 4 x Pillows            |                 |
| <b>B</b> 2 x Arms        |  | * <b>F</b> 12 x Plastic Washers |                 |
| <b>C</b> 2 x Seats       |  | * <b>G</b> 12 x Legs            |                 |
| <b>D</b> 1 X Ottoman Top |  | * <b>H</b> 34 x Bolts           | <br>M8 x 70mm   |
|                          |  | * <b>I</b> 22 x Lock Washers    | <br>M8          |
|                          |  | * <b>J</b> 22 x Flat Washers    | <br>M6          |
|                          |  | * <b>K</b> 2 x Hex Key          | <br>M5.5 x 80mm |
|                          |  | * Replaceable Parts             |                 |

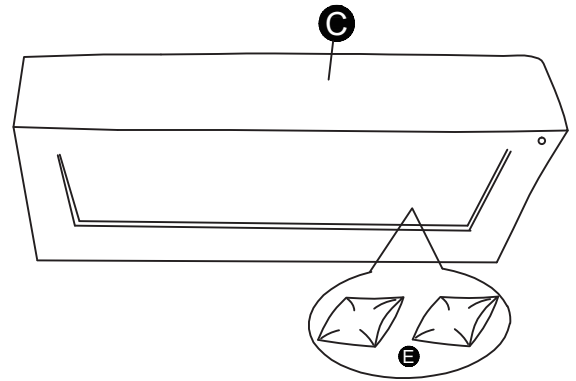
## Assembly

### Step 1



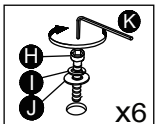
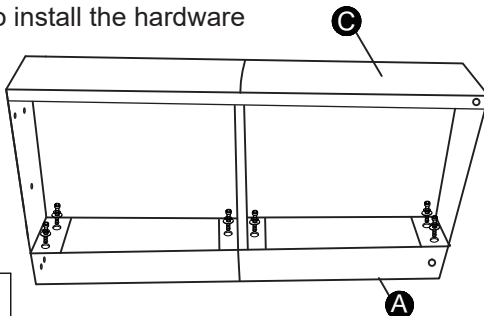
### Step 2

Sofa x2



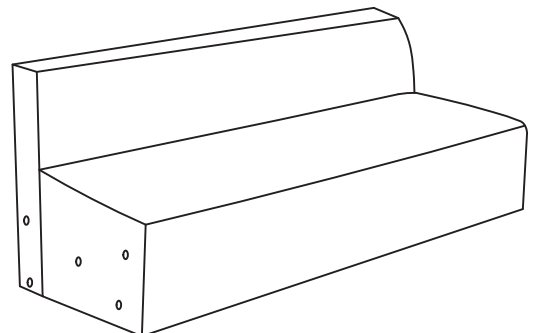
### Step 3

Open the zipper under the seat to install the hardware



Loosely attach all bolts before fully tightening.

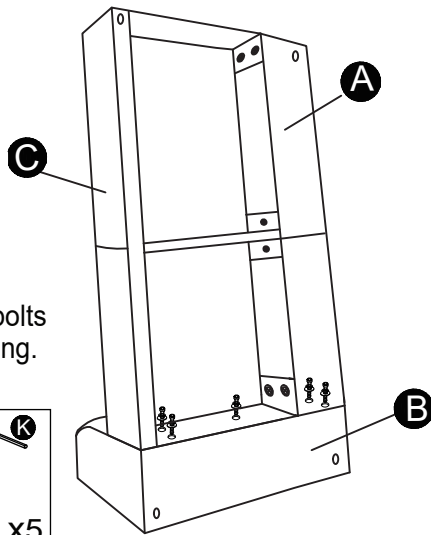
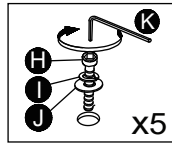
### Step 4



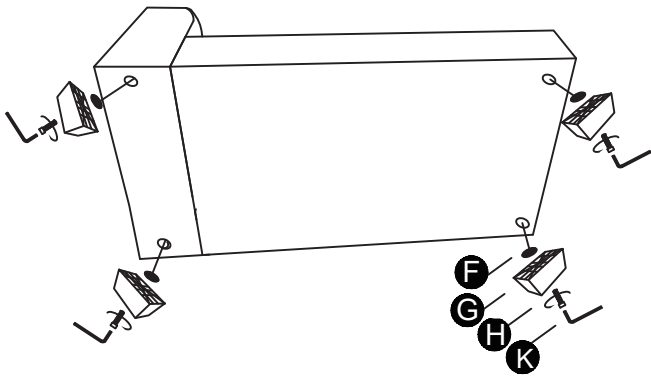
# Assembly

## Step 5

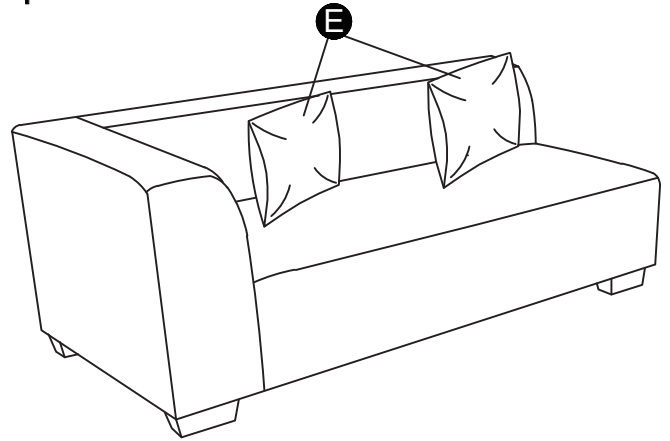
Loosely attach all bolts before fully tightening.



## Step 6

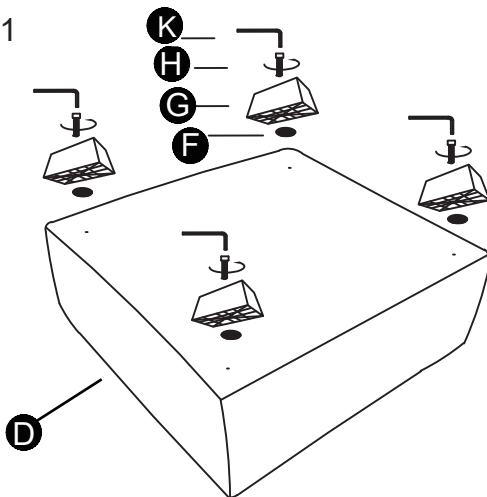


## Step 7

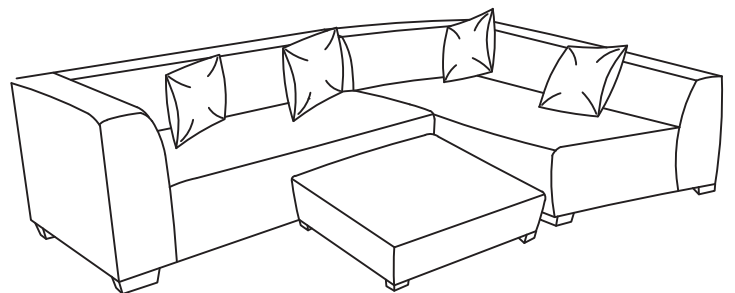


## Step 8

Ottoman x 1



## Step 9



Your style may differ from images. Care for your furniture by periodically tightening all bolts using the included hex key.

**CAUTION:** Tighten all components securely before use. Failure to do so may result in personal injury.

About your furniture piece:

- Softening of foam is natural and will happen over time with use.
- Fabric will fade or discolor in direct sunlight. Minimize exposure to direct sunlight to extend the life of your furniture.
- Wood grain, knots, streaks, and color variation occur naturally in wood and are not considered defects.