

ASSEMBLY INSTRUCTIONS

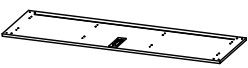
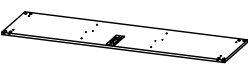
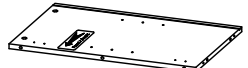

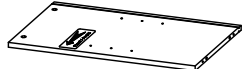

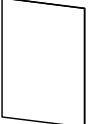

ITEM NO : T3591-42
COLLECTION : THAYER 55" SIDEBORD / TV CONSOLE





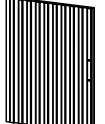
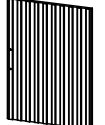
Thank you for purchasing this quality product. Be sure to check all packing materials carefully for small parts, which may have come loose inside the carton during shipment. Identify and count all items and compare with the PARTS LIST and/or HARDWARE LIST shown below.



Please read the instructions thoroughly before assembly.

1. We recommend that you assemble this product with the assistance of another person; this will make the assembly easier, and will help eliminate damage to the product or injury to persons during assembly.
2. Please do not tighten screws or bolts until the assembly is completed.
3. To level the chairs or table, before tightening all the screws, the chairs or table must be placed on a flat surface and then tighten the screws.
4. Please put all parts on a non-abrasive floor before assembly and follow the assembly steps to assemble your newly purchased product correctly and efficiently.

PARTS LIST			
NO.	DESCRIPTION	SKETCH	QTY
1	TOP PANEL		1 PC
2	BOTTOM PANEL		1 PC
3	SIDE PANEL - L		1 PC
4	SIDE PANEL - R		1 PC
5	CENTER PANEL - L		1 PC
6	CENTER PANEL - R		1 PC
7	BACK PANEL - L		2 PCS
8	BACK PANEL - R		1 PC

PARTS LIST			
NO.	DESCRIPTION	SKETCH	QTY
9	SHELF PANEL - L		2 PCS
10	SHELF PANEL - R		1 PC
11	CABINET LEG - L		2 PCS
12	CABINET LEG - R		2 PCS
13	DOOR PANEL - L/R		2 PCS
14	DOOR PANEL - C		1 PC





ASSEMBLY INSTRUCTIONS

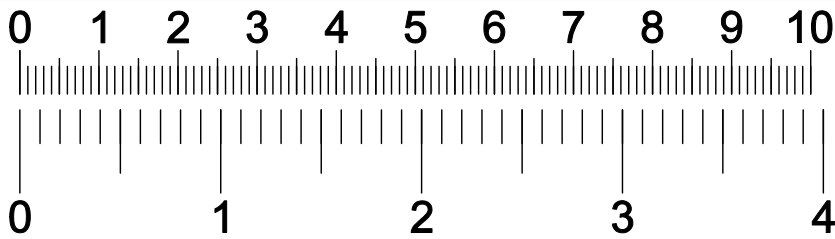
ITEM NO : T3591-42
COLLECTION : THAYER 55" SIDEBOARD / TV CONSOLE

HARDWARE LIST

NO.	DESCRIPTION	SKETCH	QTY
A1	MINIFIX CAM Ø9/16" x 1/2"		20 PCS
A2	MINIFIX BOLT M6 x 1-1/4"		20 PCS
A3	MINI FIX CAP Ø11/16" x 3/16"		20 PCS
B	WOOD DOWEL M8 x 1-3/16"		32 PCS
C	CSK C/W SCREW M6 x 2"		8 PCS
D	ALLEN KEY M4 x 2-3/4"		1 PC
E	C.B SCREW M3.5 x 5/8"		42 PCS
F	H SCREW+WF9.5 M4 x 5/8"		8 PCS
G	SHELF SUPPORT 9/16" x 3/16"		12 PCS
H	5/8" PVC NAIL LEG		4 PCS
I1	STUD 192 11/16" x 11/16"		12 PCS

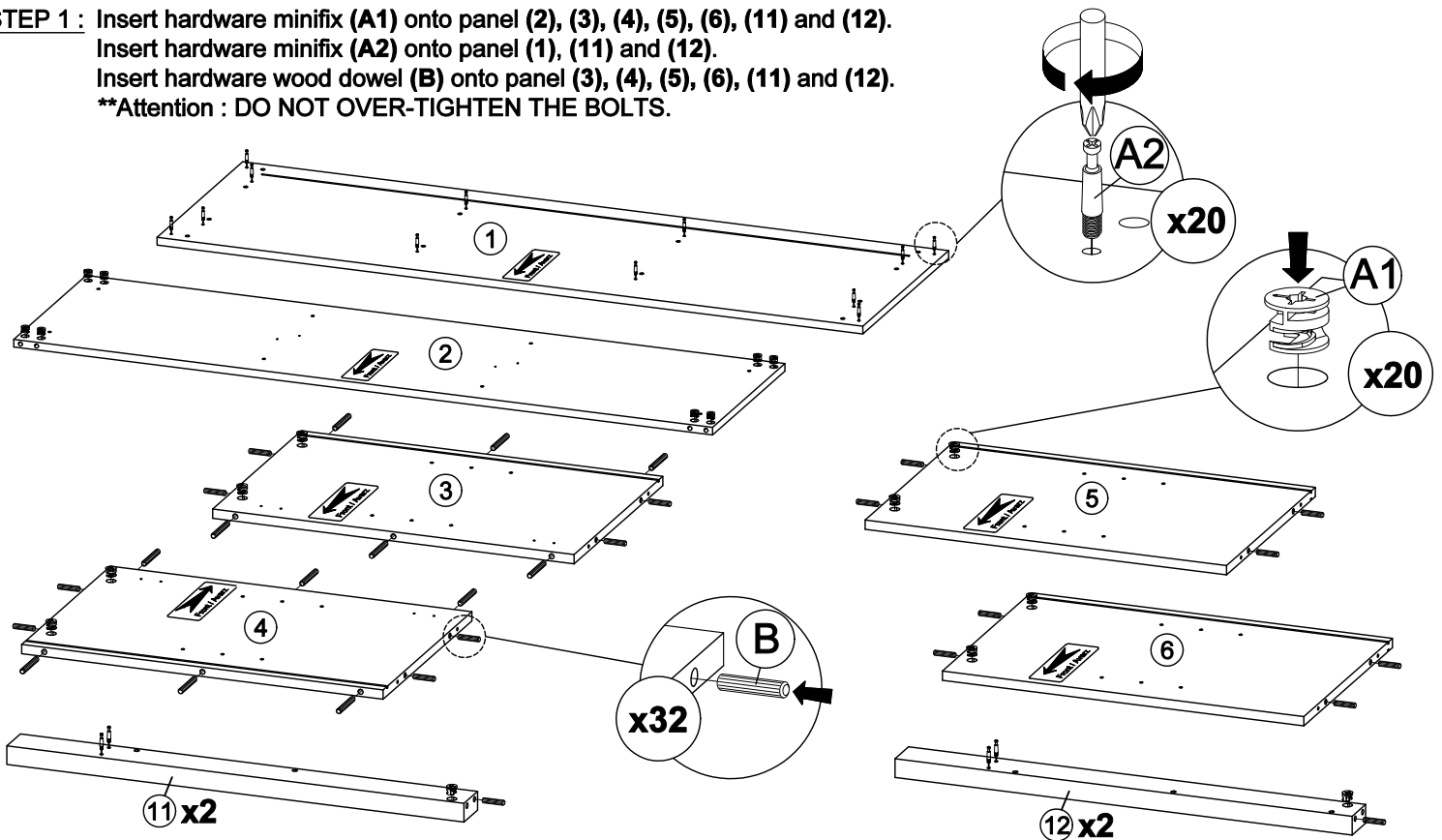
HARDWARE LIST

NO.	DESCRIPTION	SKETCH	QTY
I2	STUD 192 11/16" x Ø3/16"		12 PCS
J	SOFT CLOSING 7/8" HINGES		6 PCS
K	METAL HANDLE ZMH-001		3 PCS
L	METAL LEG - 7-7/8" x Ø1		2 PCS



HARDWARE DIMENSIONS VERIFICATION TOOL

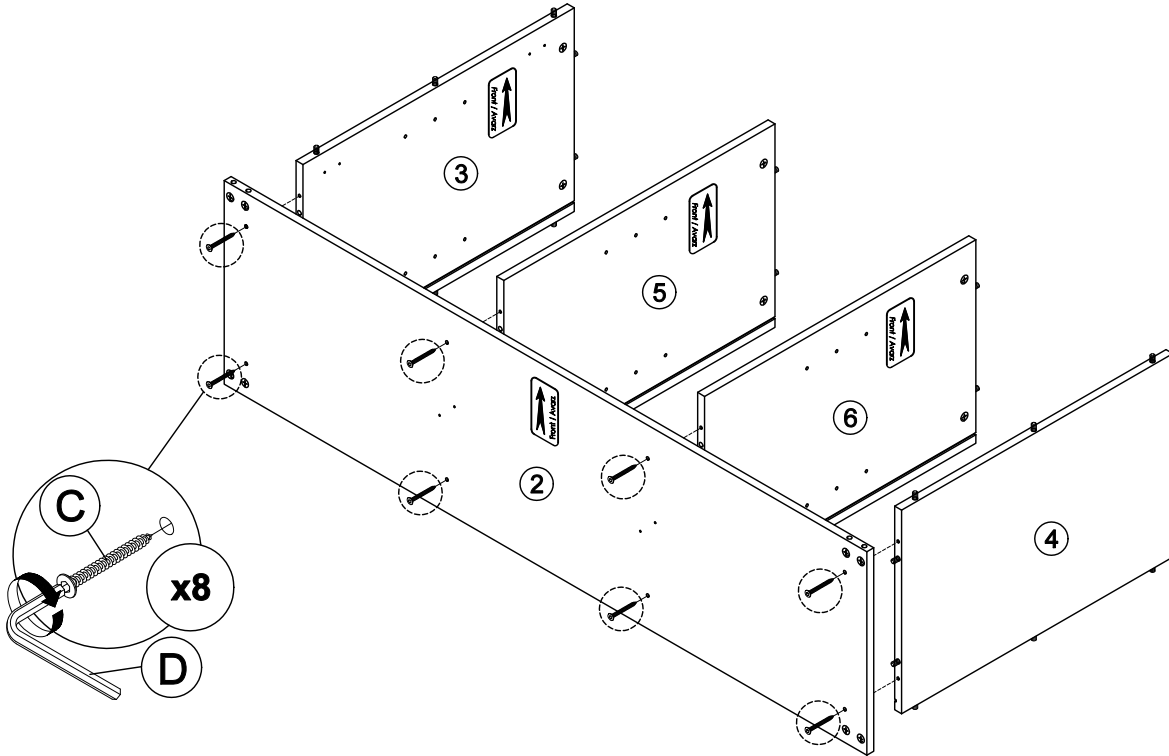
STEP 1 : Insert hardware minifix (A1) onto panel (2), (3), (4), (5), (6), (11) and (12).
Insert hardware minifix (A2) onto panel (1), (11) and (12).
Insert hardware wood dowel (B) onto panel (3), (4), (5), (6), (11) and (12).
**Attention : DO NOT OVER-TIGHTEN THE BOLTS.



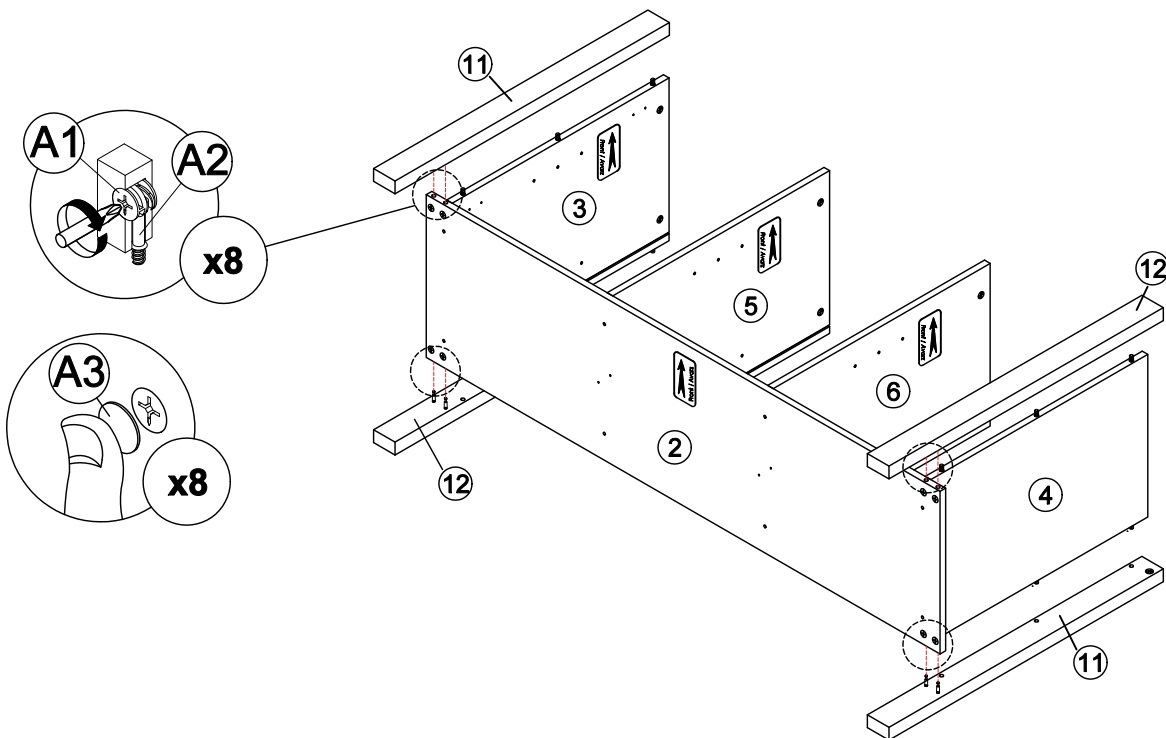
ASSEMBLY INSTRUCTIONS

ITEM NO : T3591-42
 COLLECTION : THAYER 55" SIDEBOARD / TV CONSOLE

STEP 2 : Connect panel (2) to panel (3), (4), (5) and (6) by using hardware (C) and (D).
****Attention :** DO NOT OVER-TIGHTEN THE BOLTS.



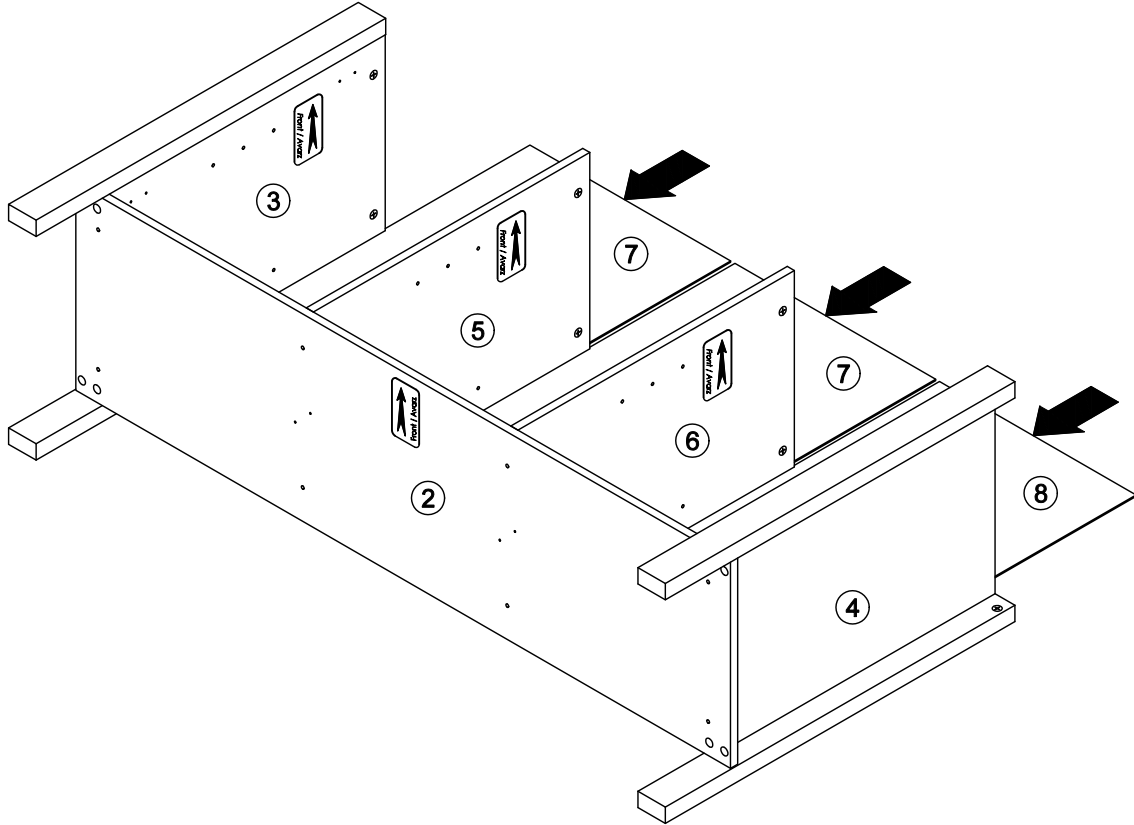
STEP 3 : Attach panel (11) and (12) to panel (2).
 Insert all hardware minifix (A2) into minifix (A1).
 Rotate all minifix (A1) until tight. Apply minifix (A3) onto all minifix (A1).
****Attention :** DO NOT OVER-TIGHTEN THE BOLTS.



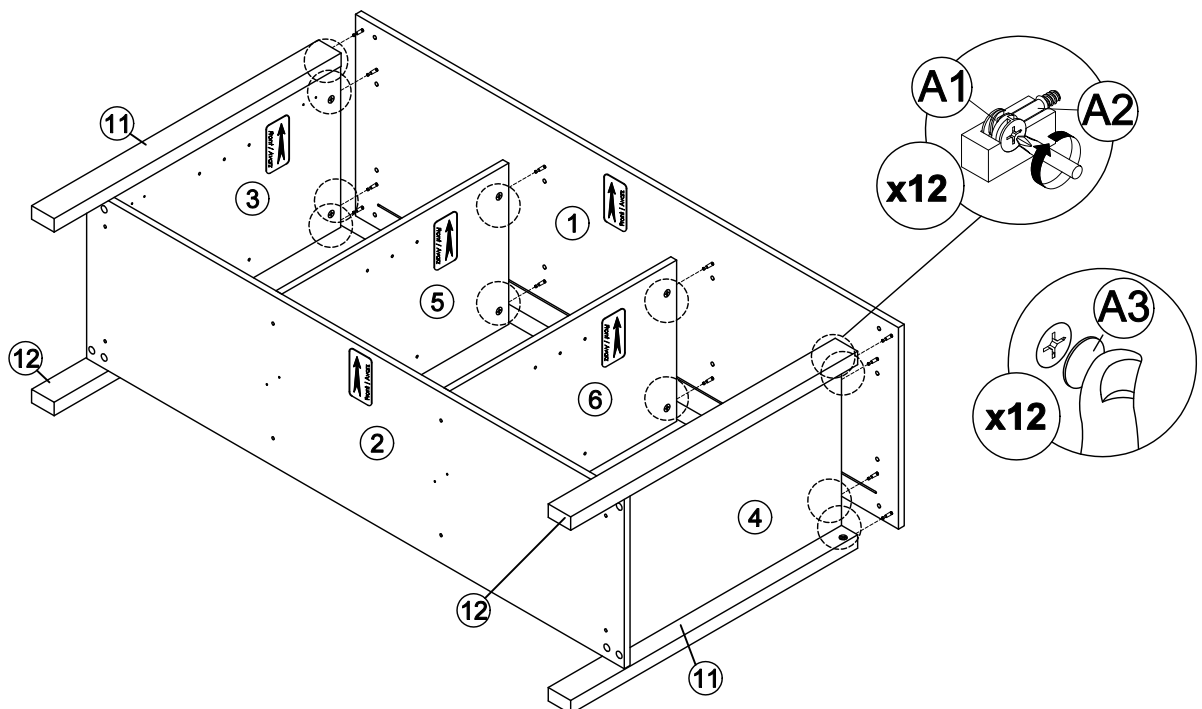
ASSEMBLY INSTRUCTIONS

ITEM NO : T3591-42
COLLECTION : THAYER 55" SIDEBORD / TV CONSOLE

STEP 4 : Insert panel (7) and (8) along the slot.



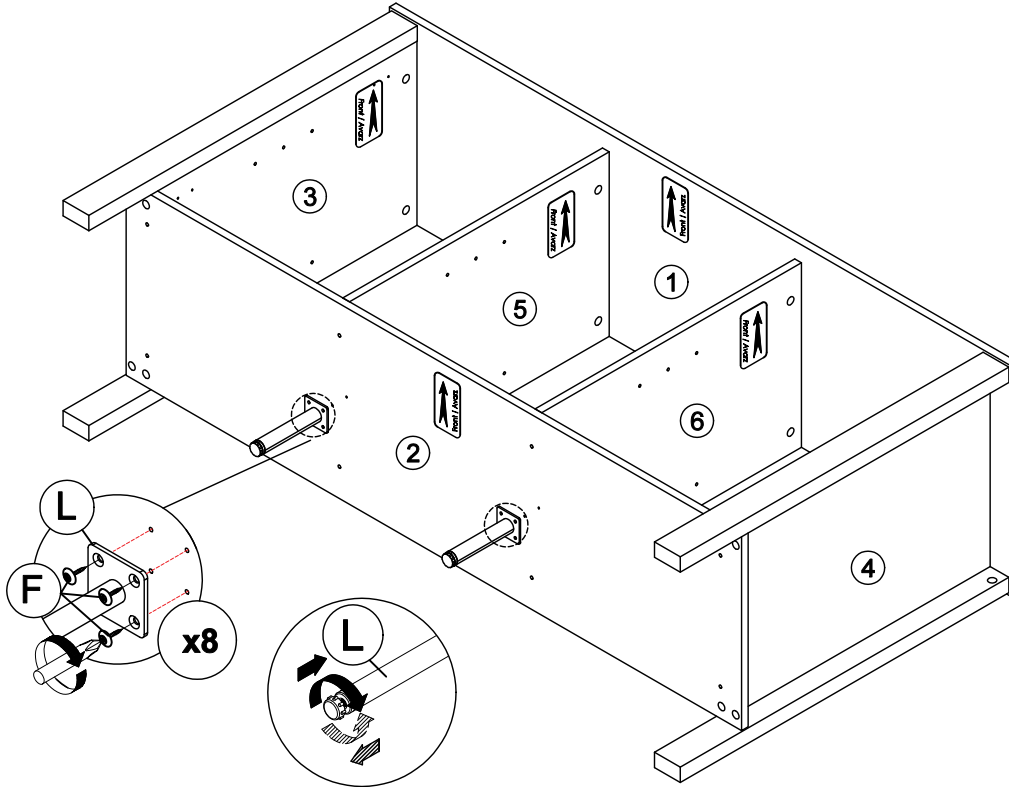
STEP 5 : Attach panel (1) to panel (3), (4), (5), (6), (11) and (12).
Insert all hardware minifix (A2) into minifix (A1).
Rotate all minifix (A1) until tight. Apply minifix (A3) onto all minifix (A1).
****Attention : DO NOT OVER-TIGHTEN THE BOLTS.**



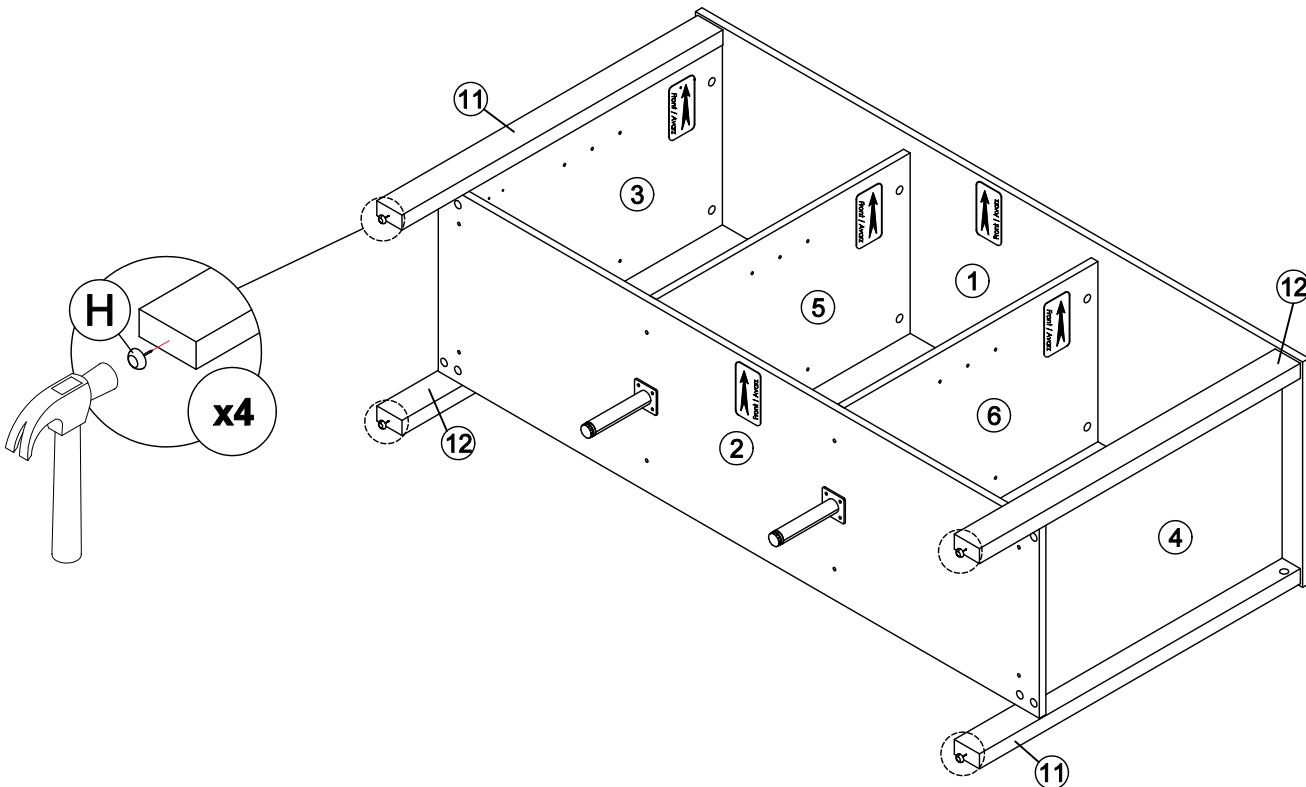
ASSEMBLY INSTRUCTIONS

ITEM NO : T3591-42
COLLECTION : THAYER 55" SIDEBORD / TV CONSOLE

STEP 6 : Fix hardware (L) onto panel (2) by using hardware screw (F).
**Attention : DO NOT OVER-TIGHTEN THE BOLTS.



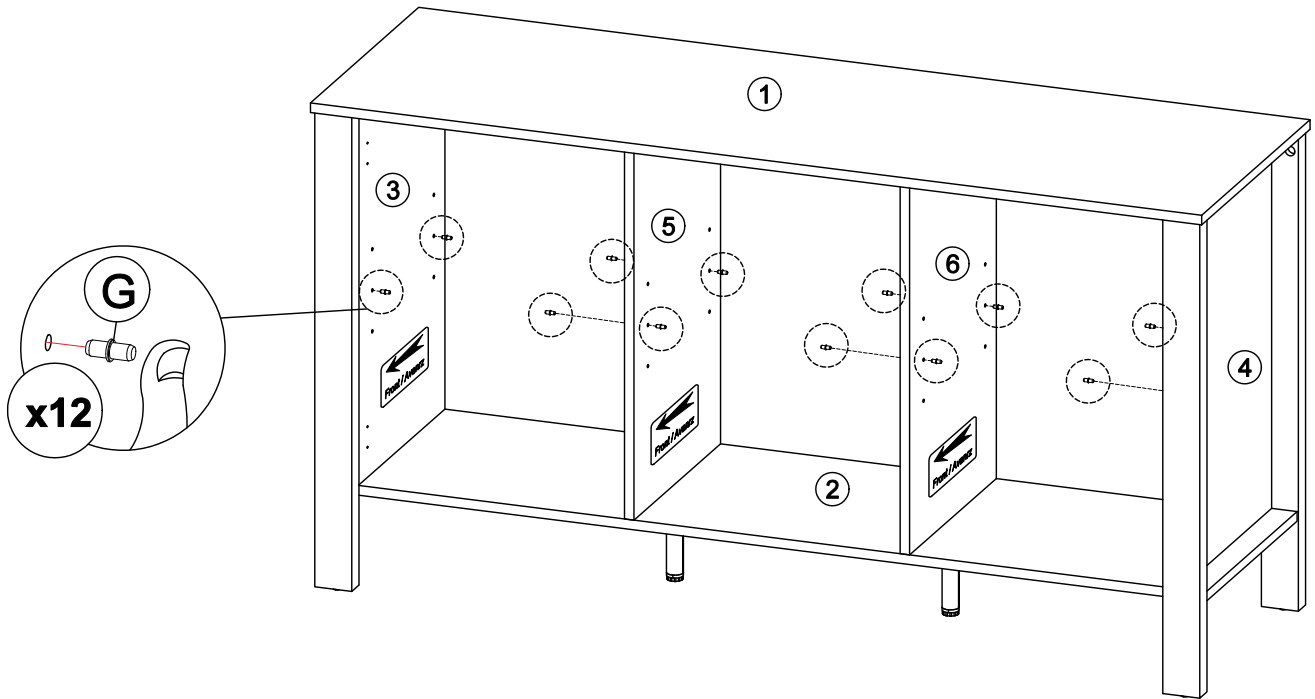
STEP 7 : Hit hardware (H) into bottom of panel (11) and (12).



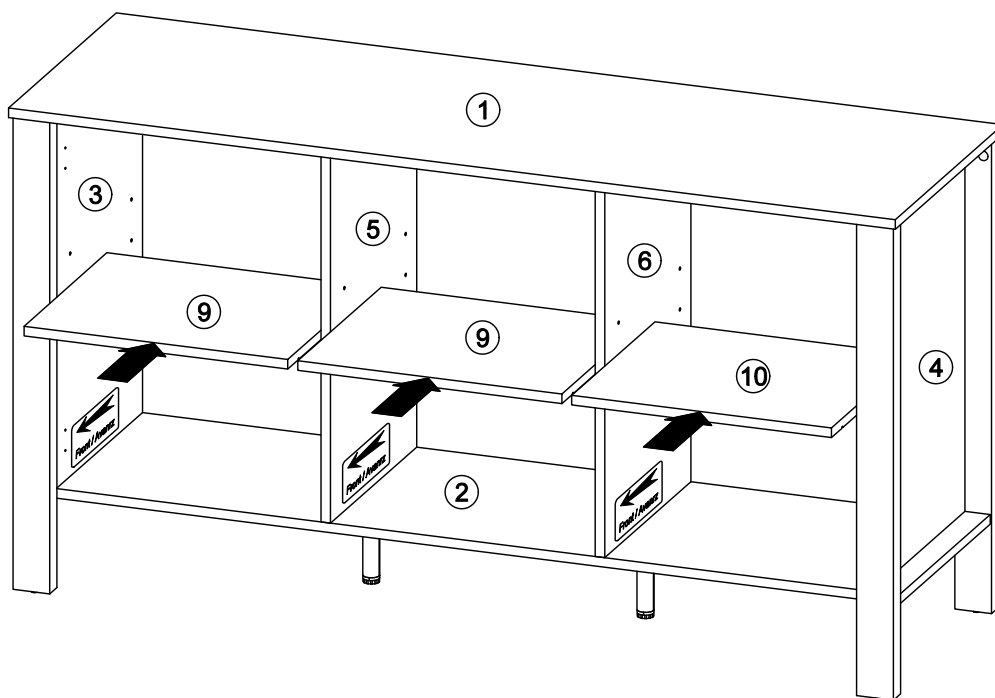
ASSEMBLY INSTRUCTIONS

ITEM NO : T3591-42
COLLECTION : THAYER 55" SIDEBORD / TV CONSOLE

STEP 8 : Insert hardware (G) into mounting positions on panel (3), (4), (5) and (6) by hand.



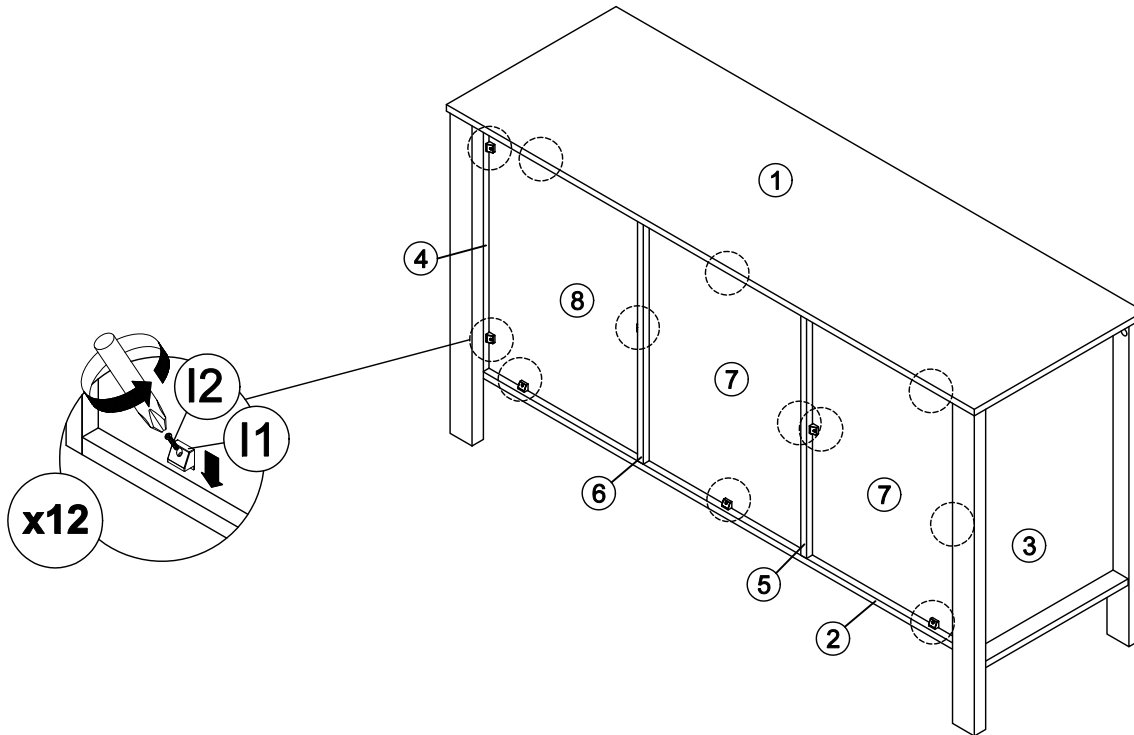
STEP 9 : Assemble the panel (9) into between panel (3), (5) and (5), (6) then panel (10) into between panel (4) and (6).



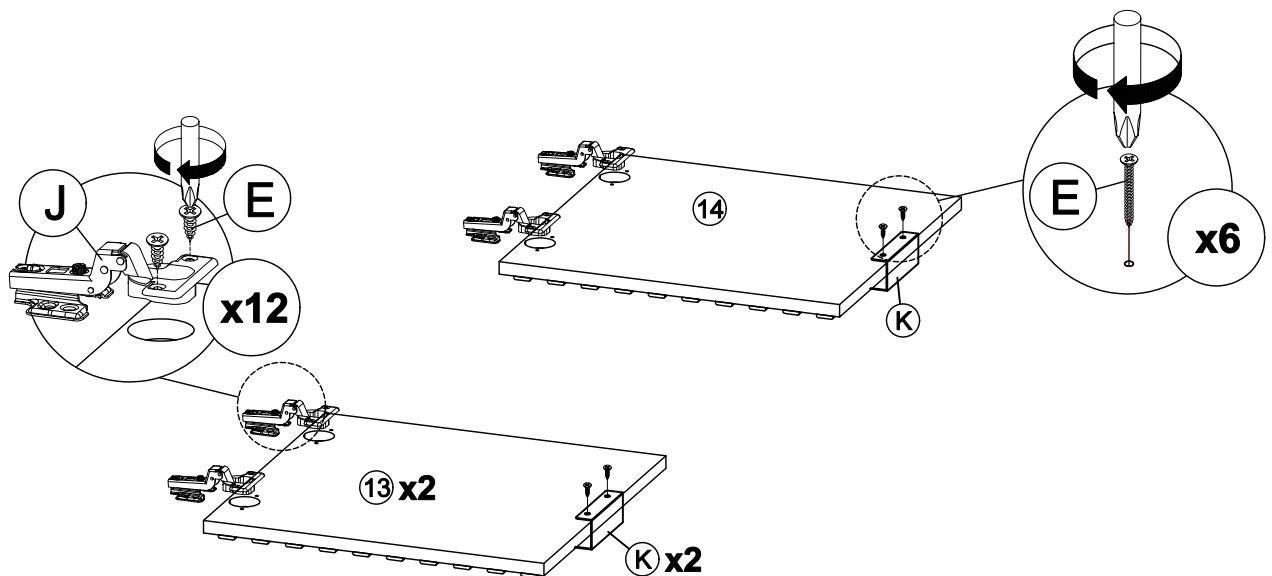
ASSEMBLY INSTRUCTIONS

ITEM NO : T3591-42
COLLECTION : THAYER 55" SIDEBORD / TV CONSOLE

STEP 10 : Insert hardware (I1) into slot at panel (1), (2), (3), (4), (5) and (6).
Assemble hardware (I1) by using hardware (I2).
****Attention :** DO NOT OVER-TIGHTEN THE BOLTS.



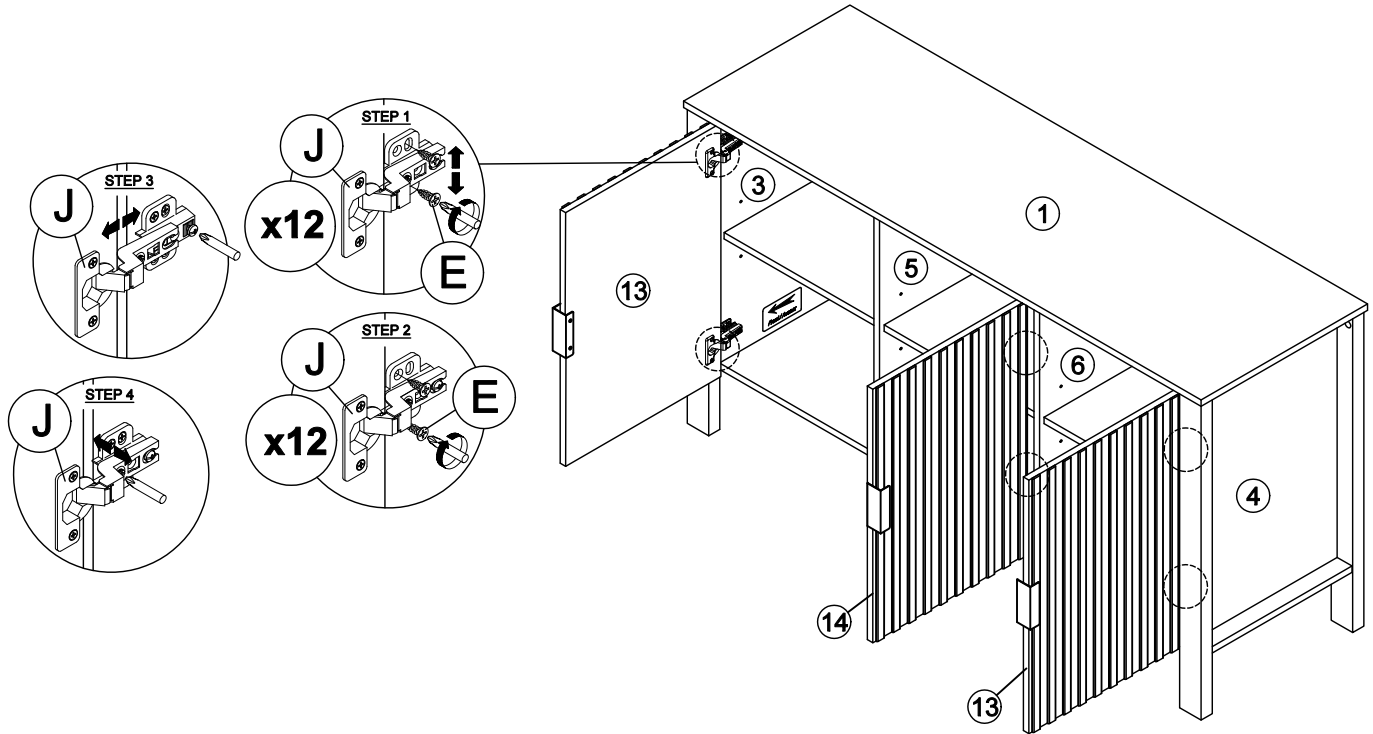
STEP 11 : Fix hardware (J) onto panel (13) and (14) by using hardware (E).
Fix hardware (K) onto panel (13) and (14) by using hardware (E).
****Attention :** DO NOT OVER-TIGHTEN THE BOLTS.



ASSEMBLY INSTRUCTIONS

ITEM NO : T3591-42
COLLECTION : THAYER 55" SIDEBORD / TV CONSOLE

STEP 12 : Fix hardware (J) into panel (3), (4) and (6) by using hardware (E).
Tighten or loosen the screw to adjust position of panel (13) and (14).
****Attention :** DO NOT OVER-TIGHTEN THE BOLTS.



ASSEMBLY COMPLETED

