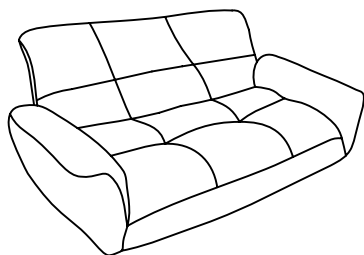
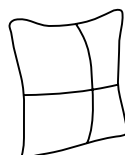


# ASSEMBLY INSTRUCTION

## PART



A  
x1pc



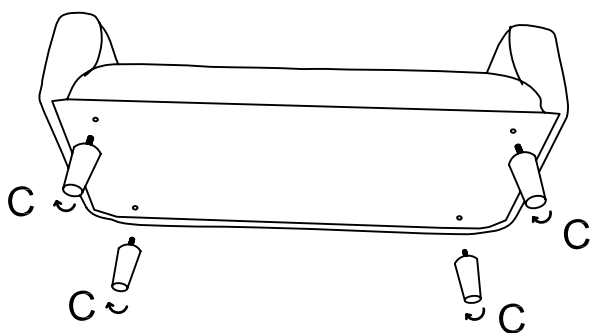
B  
x2pcs



C  
x4pcs

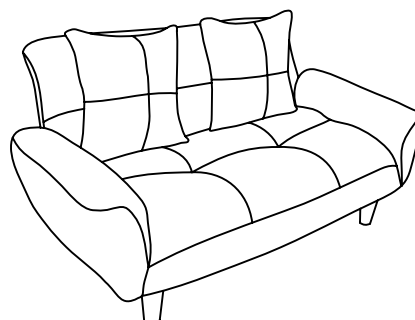
## Step 1

Tighten the legs "C"



## Step 2

Adjust the angle of back, put the pillows "B" on sofa, then assembly is finished.



## For sofa bed

Open the zipper, stretch out the 2 folding legs at the back, then put down the back.

