

# Premium Large CPU Cart

*SKU: CART-PC03D*

Instruction Manual

---

*Assembly Video & Product Info*  
[www.vivo-us.com/products/cart-pc03d](http://www.vivo-us.com/products/cart-pc03d)



# ! CAUTION! !

If you do not understand these directions, or if you have any doubts about the safety of the installation, please contact our product support team at 309-278-5303 or help@vivo-us.com for further assistance. Check carefully to make sure there are no missing or defective parts. Improper installation may cause damage or serious injury. Do not use this product for any purpose that is not explicitly specified in this manual. Do not exceed weight capacity. We cannot be liable for damage or injury caused by improper mounting, incorrect assembly or inappropriate use.



## WARNING: CHOKING HAZARD

SMALL PARTS - NOT FOR CHILDREN UNDER 3 YEARS. ADULT SUPERVISION IS REQUIRED.



## DO NOT EXCEED WEIGHT CAPACITY

FAILURE TO DO SO MAY RESULT IN SERIOUS INJURY.

---

## We're Here for You

Open **Monday - Friday 7:00am - 7:00pm** CST, our dedicated support team can offer immediate assistance with rapid response times. If any parts are received damaged or defective, please contact us. We are happy to replace parts to ensure you have a fully functioning product.



Give us a Call:  
**309-278-5303**

AVG. RESOLUTION TIME (*within office hrs*): **5M 4S**



Chat Us:  
**www.vivo-us.com**

AVG. RESOLUTION TIME (*within office hrs*): **< 15 M**

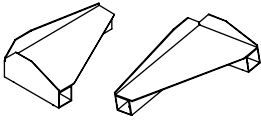


Email Us:  
**help@vivo-us.com**

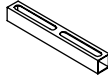
AVG. RESPONSE TIME (*within office hrs*): **1HR 8M**

- 23% within < 15m
- 38% within < 30m
- 61% within < 1hr
- 83% within < 2hr
- 92% within < 3hr

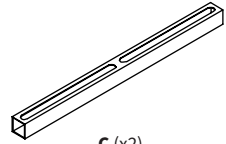
## Package Contents



**A** (x2)  
Corner Brace Set



**B** (x2)  
Short Rail



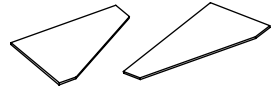
**C** (x2)  
Long Rail



**D** (x2)  
Caster



**E** (x2)  
Locking Caster



**F** (x2)  
Pad Set

---

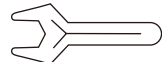
## Included Hardware & Tools



**S-A** (x8)  
M6x30mm Screw



**T-A** (x1)  
4mm Allen Wrench



**T-B** (x1)  
Wrench

---

## Tools Needed:



**Tape Measure**

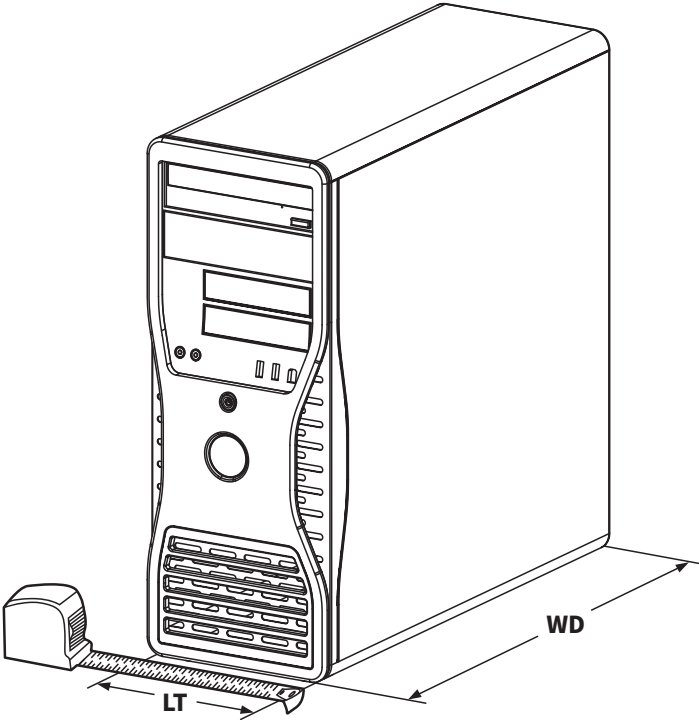
## Weight Capacity:



**110lbs  
(50kg)**

# PRE-ASSEMBLY STEPS

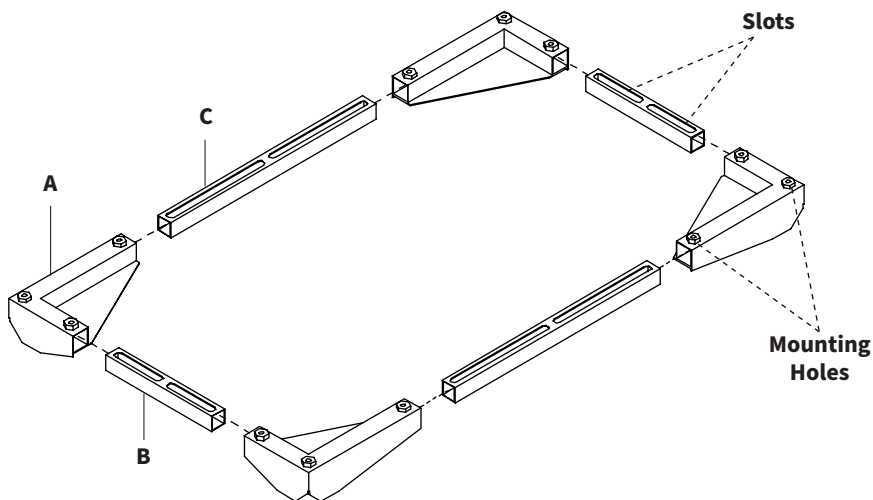
Measure the Length (LT) and Width (WD) of your PC.



# ASSEMBLY STEPS

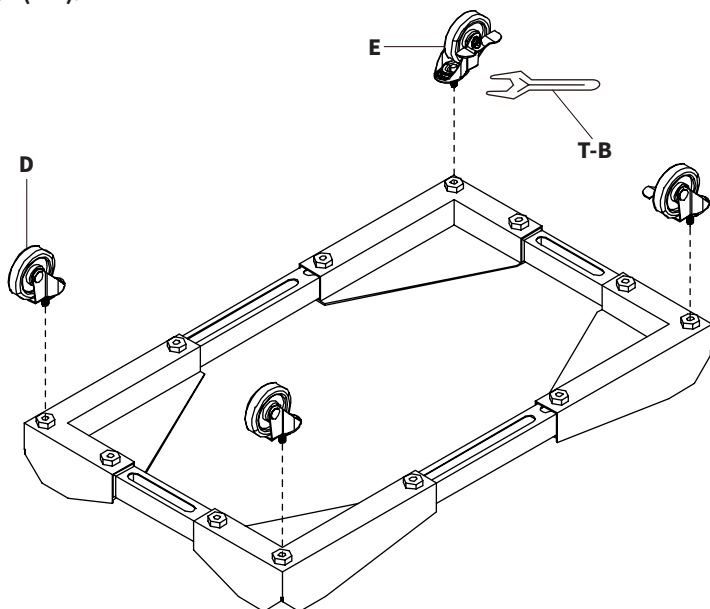
## STEP 1

Insert Short and Long Rails (**B,C**) into the Corner Braces (**A**) as shown. Make sure all **Mounting Holes** and **Slots** are on the same side.



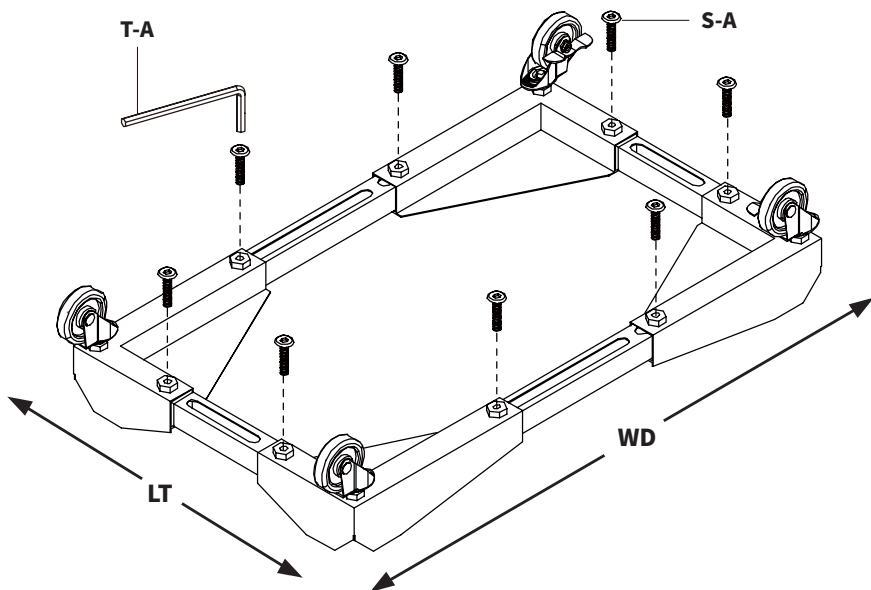
## STEP 2

Thread Casters (**D**) and Locking Casters (**E**) into Corner Braces (**A**) and tighten using Wrench (**T-B**).



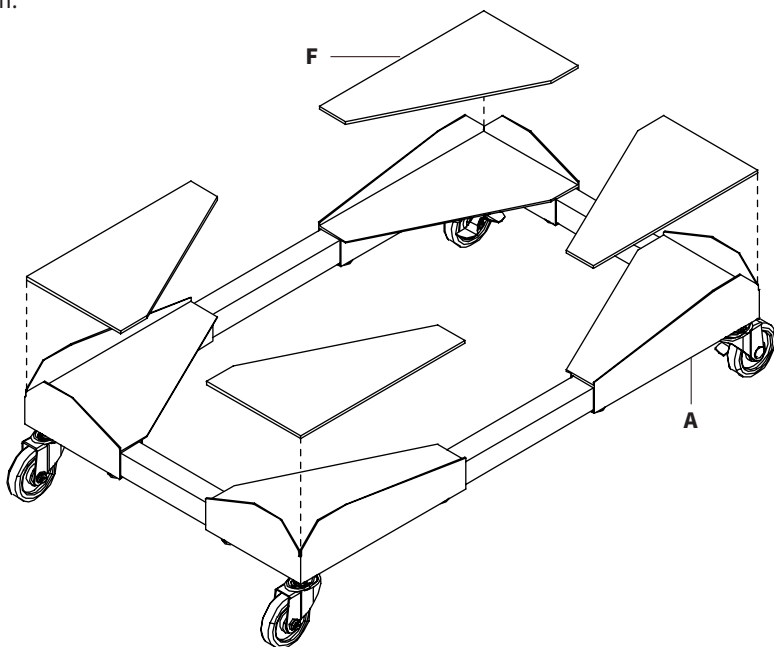
### STEP 3

Using the measurements from PRE-ASSEMBLY, adjust the cart assembly to make the Length (**LT**) and Width (**WD**) of your PC. Secure using M6x30mm Screws (**S-A**) and 4mm Allen Wrench (**T-A**).



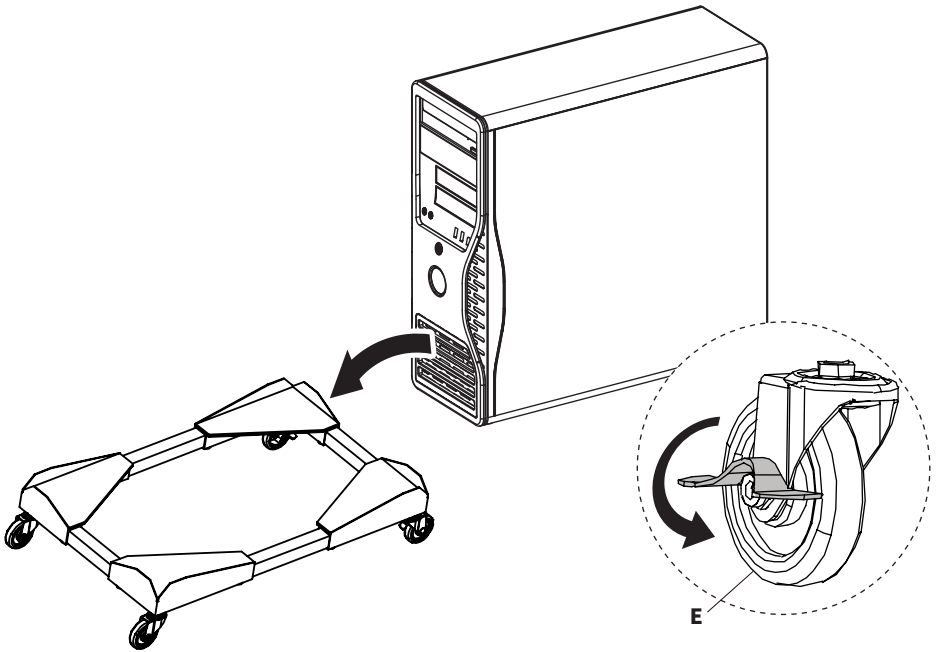
### STEP 4

Remove adhesive backing from Pads (**F**) and stick them to the Corner Braces (**A**) as shown.



## STEP 5

Place your PC onto the cart assembly. Lock Locking Casters (**E**) to prevent the cart from rolling.





## **Need Help? Get In Touch**

Monday-Friday from 7:00am-7:00pm CST



[help@vivo-us.com](mailto:help@vivo-us.com)



[www.vivo-us.com](http://www.vivo-us.com)

*Chat live with an agent!*



309-278-5303



**VIVO-us @vivo\_us**

FOR MORE GREAT VIVO PRODUCTS,  
CHECK OUT OUR WEBSITE AT: [WWW.VIVO-US.COM](http://WWW.VIVO-US.COM)