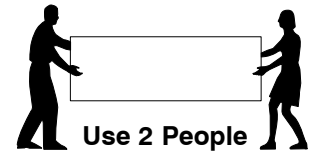
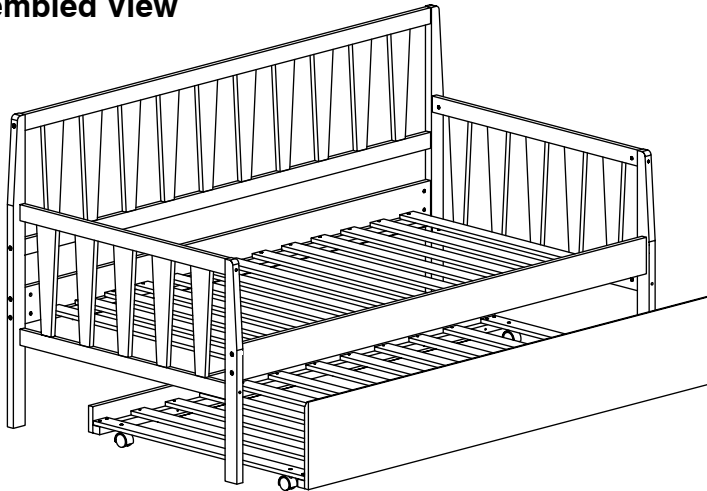


# Daybed

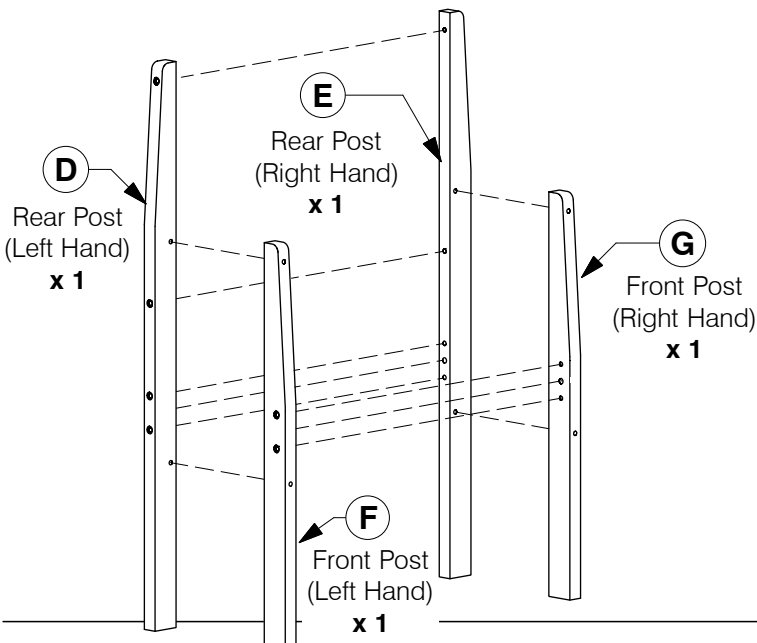
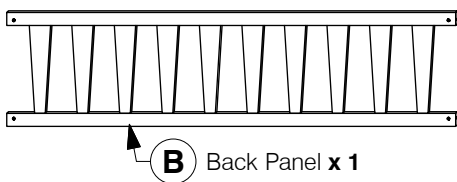
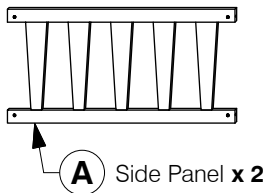
## Assembly Instructions

### 1 Assembled View

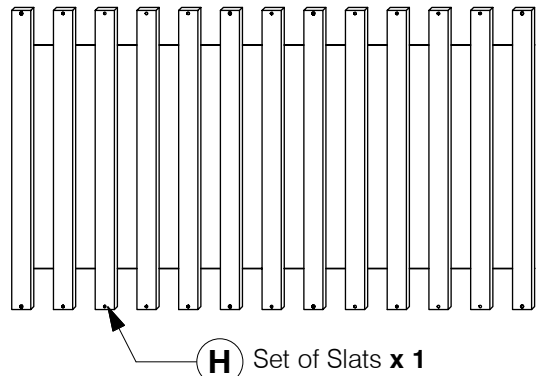


**Note:** Do not assemble using power tools. This can cause the bolts to be overtightened

### 2 Parts in this Box



Slats are packed in separately in Box B



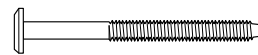
### 3 Hardware in this Box



1 M6 x 100mm JCB x 12



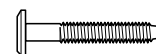
5 Barrel Nut x 20



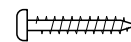
2 M6 x 70mm JCB x 8



6 Wood Dowel (10 x 40mm) x 4



3 M6 x 40mm JCB x 8



4 Wood Screw (M4 x 32mm) x 18

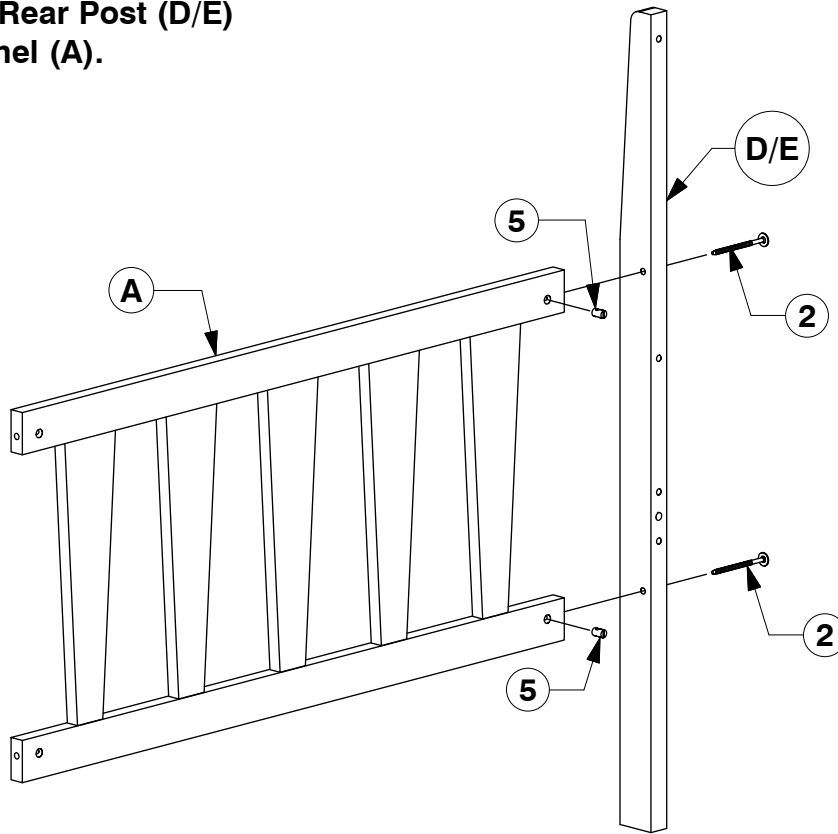


7 Allen Key x 1

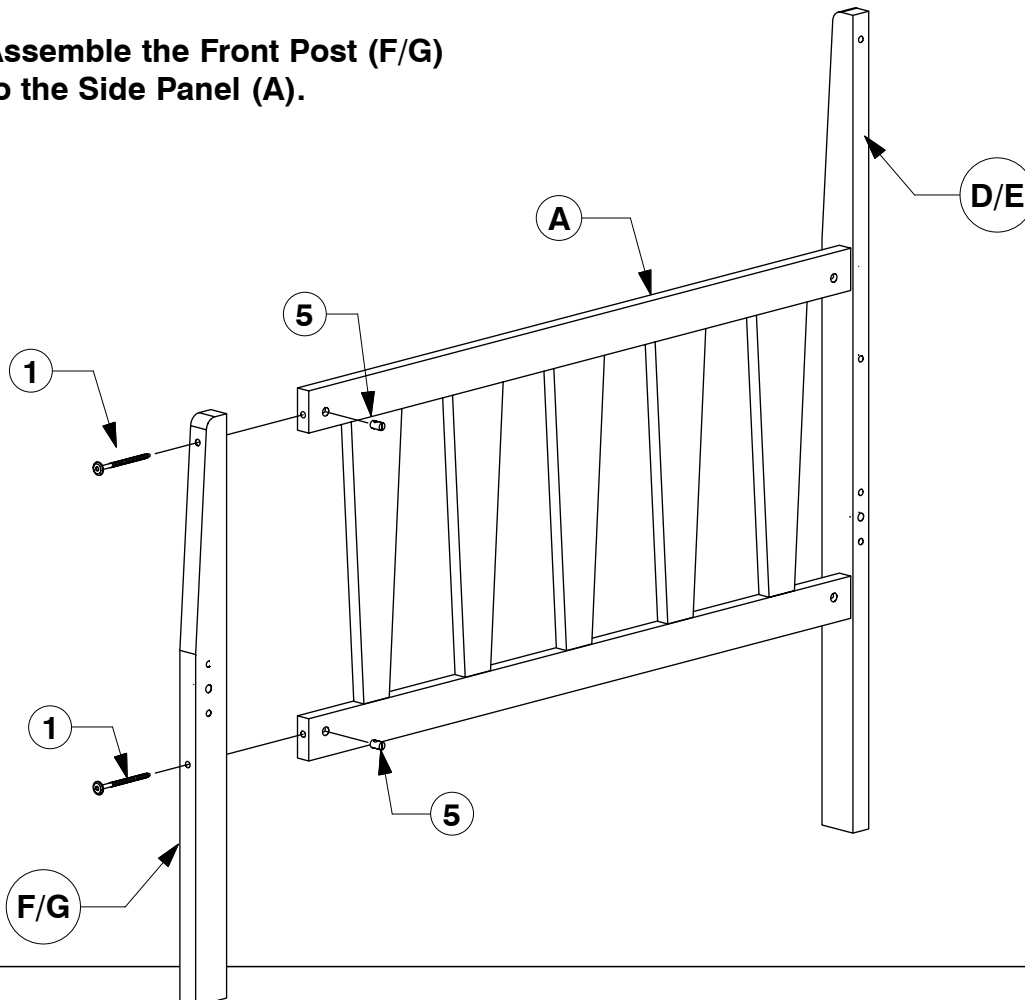
# Daybed

Assembly Instructions

- 4** Assemble the Rear Post (D/E) to the Side Panel (A).



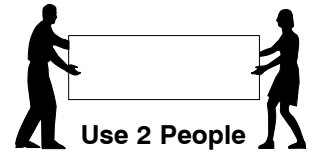
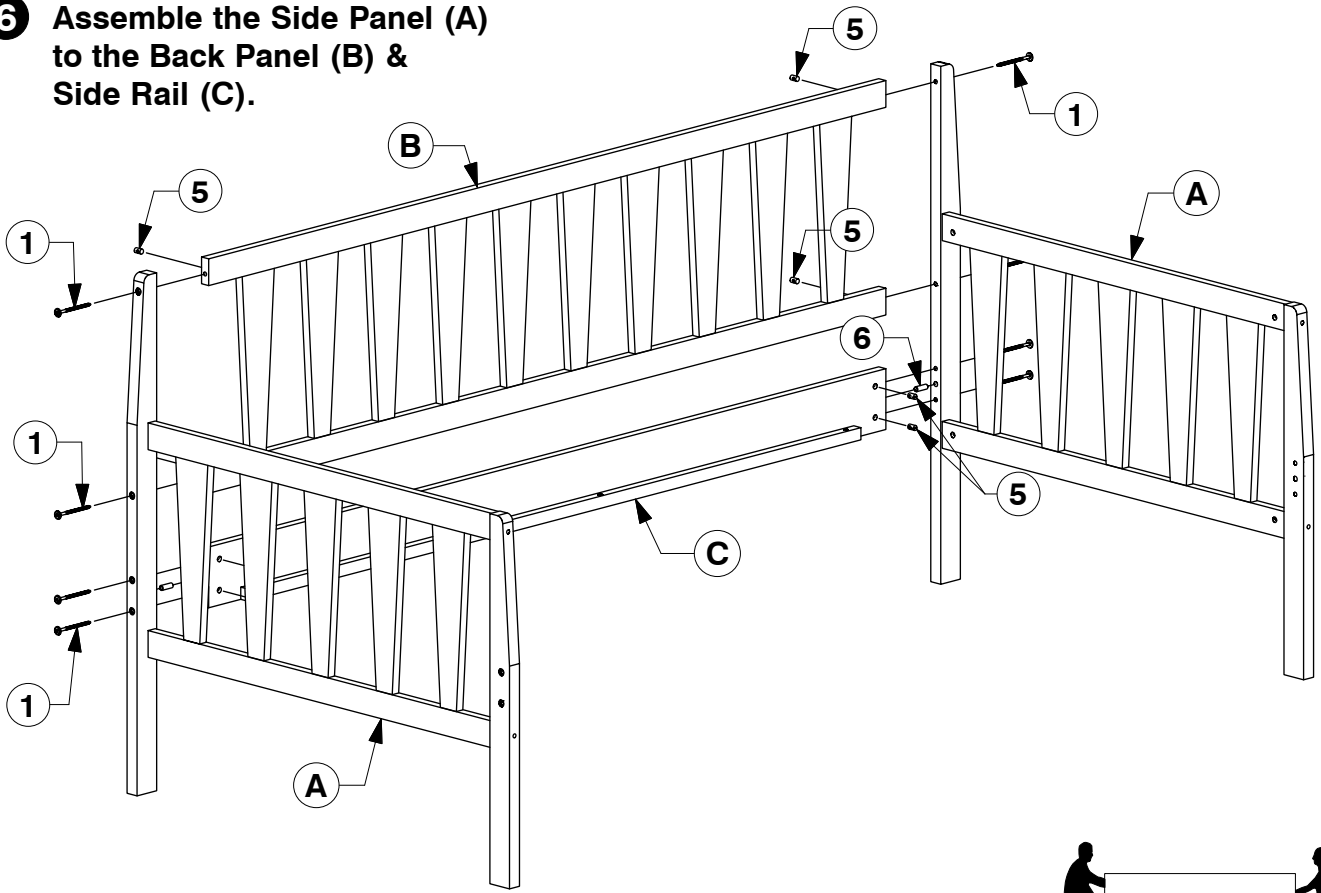
- 5** Assemble the Front Post (F/G) to the Side Panel (A).



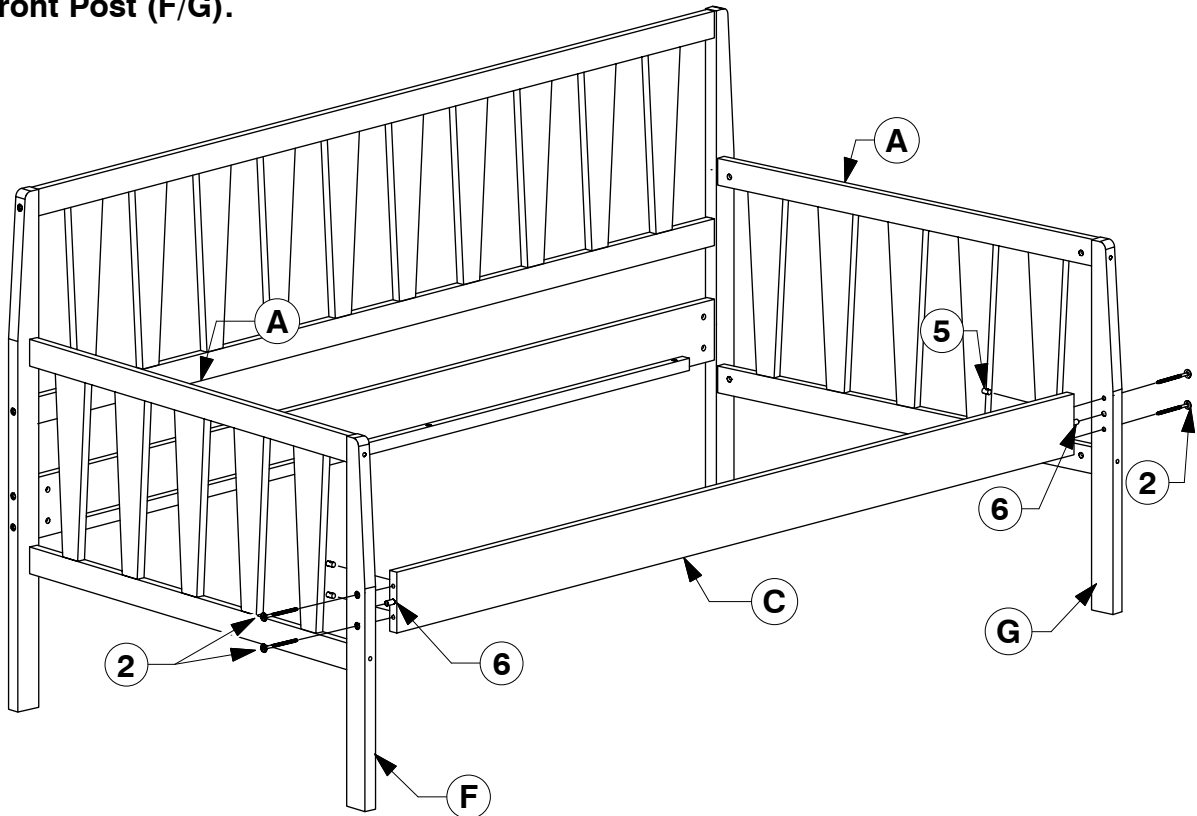
# Daybed

Assembly Instructions

- 6** Assemble the Side Panel (A) to the Back Panel (B) & Side Rail (C).



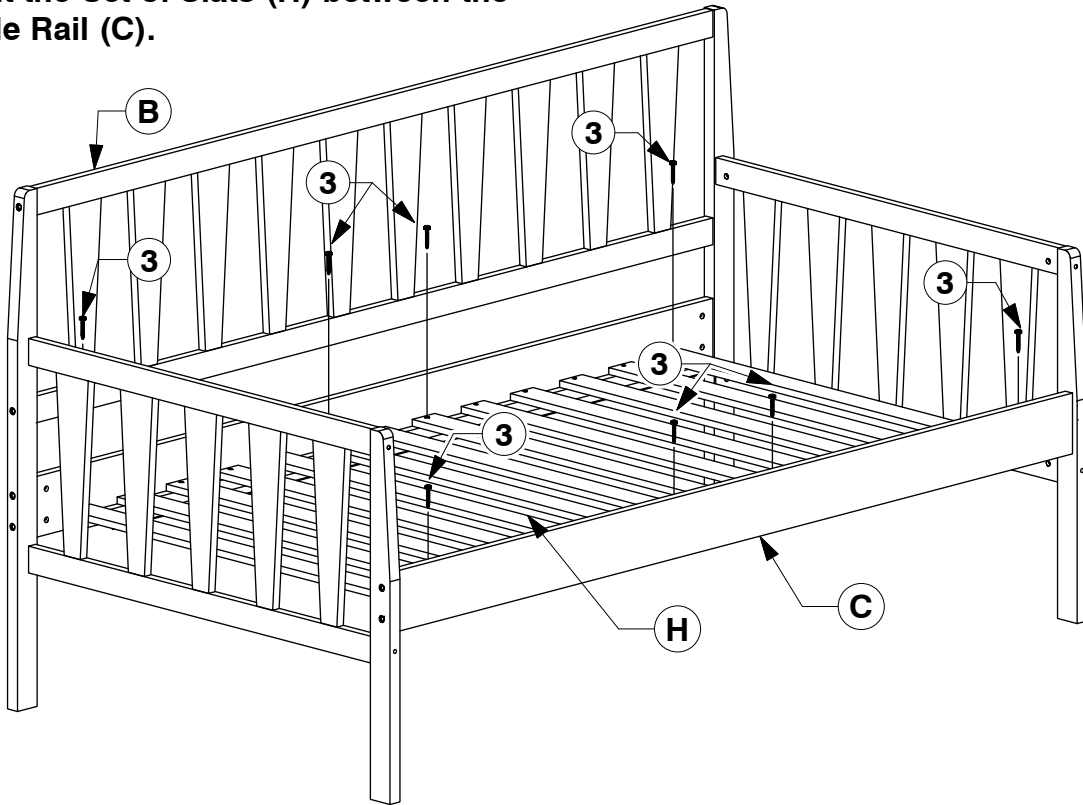
- 7** Assemble the Side Rail (C) to the Front Post (F/G).



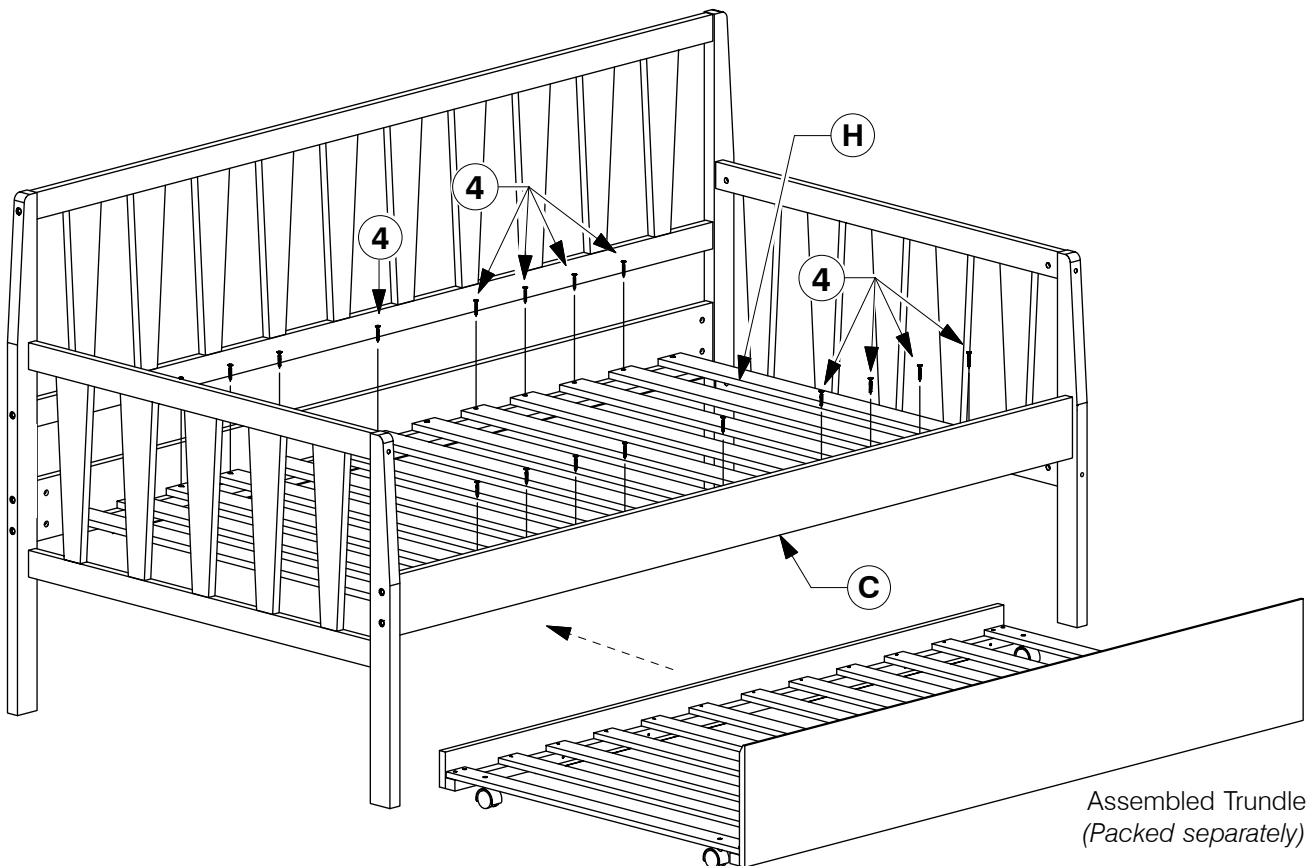
# Daybed

Assembly Instructions

- 8** Bolt the Set of Slats (H) between the Side Rail (C).



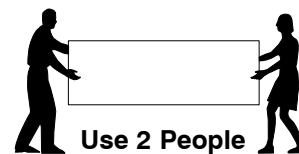
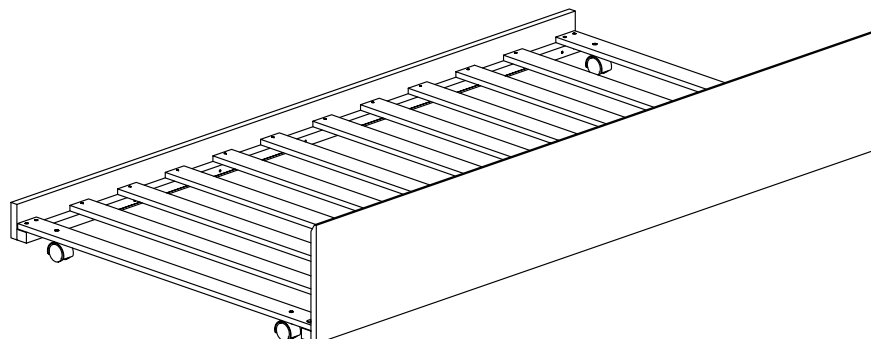
- 9** Screw the Set of Slats (H) between the Side Rail (C). Finally, fit the assembled Trundle.



# Daybed Trundle

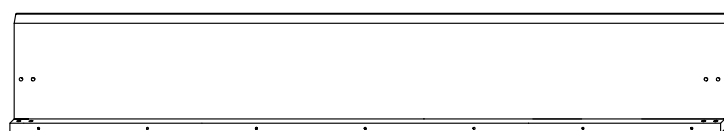
## Assembly Instructions

### 1 Assembled View

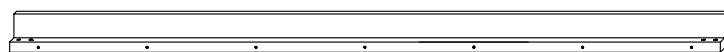


**Note:** Do not assemble using power tools. This can cause the bolts to be overtightened

### 2 Parts List



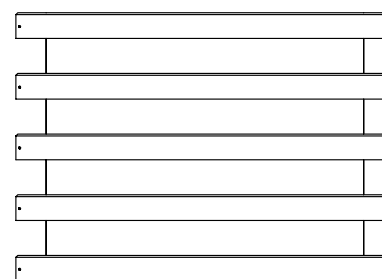
**A** Trundle Front Panel x 1



**B** Trundle Rear Panel x 1



**C** Trundle Support Rail x 2



**D** Set of Slats x 2

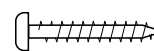
### 3 Hardware List



**1** M6 x 40mm JCB x 8



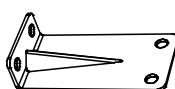
**2** M6 x 15mm JCB x 4



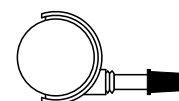
**3** Wood Screw (M4 x 32mm) x 20



**4** Allen Key x 1



**5** Metal Bracket x 2

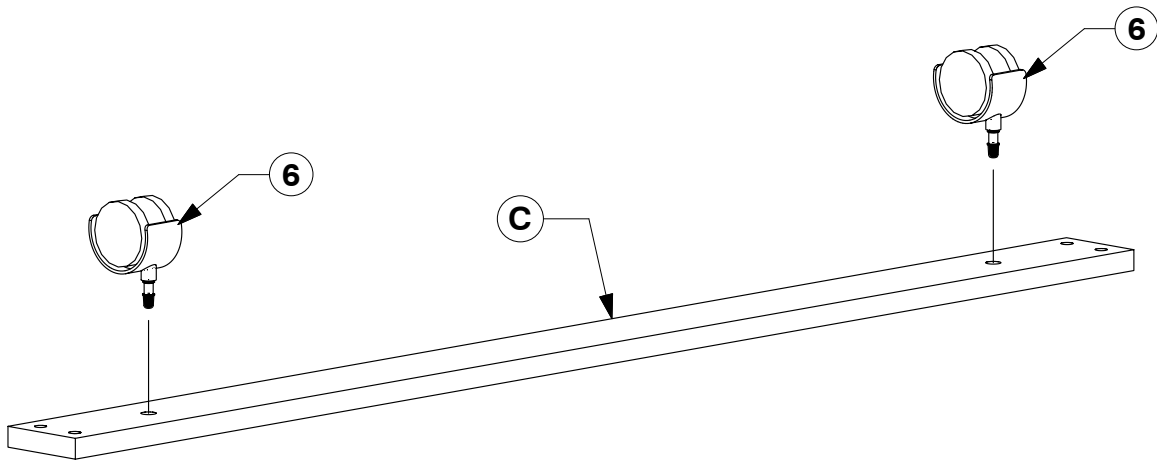


**6** Wheels x 4

# Daybed Trundle

## Assembly Instructions

- 4** Fit the Wheels (6) to the Trundle Support Rail (C).



- 5** Assemble the Set of Slats (D) & Trundle Support Rail (C) to the Trundle Front Panel (A) & Trundle Rear Panel (B).

