
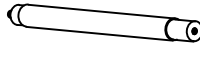

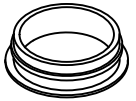
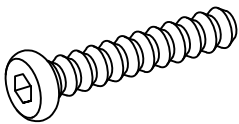
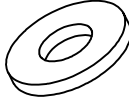

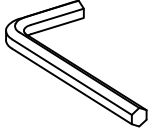
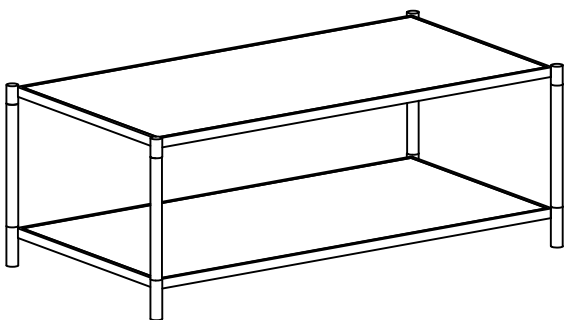


ASSEMBLY INSTRUCTION

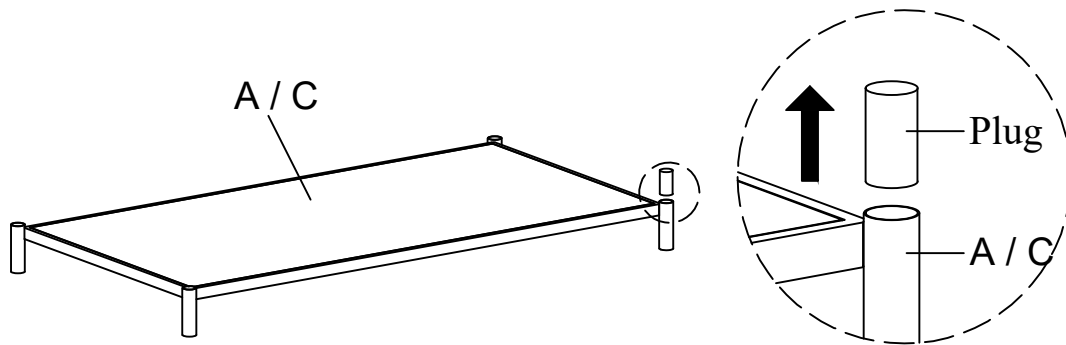
TWO TONE COCKTAIL TABLE

A Table Top	B Post	C Bottom Base	D Plastic Cover Ø30mm
			
1pc	4pcs	1pc	4pcs
E Bolt Ø5/16"x1-1/2"	F Flat Washer Ø5/16"x19mm	G Lock Washer Ø5/16"x13mm	H Allen Key M5
			
4pcs	4pcs	4pcs	1pc

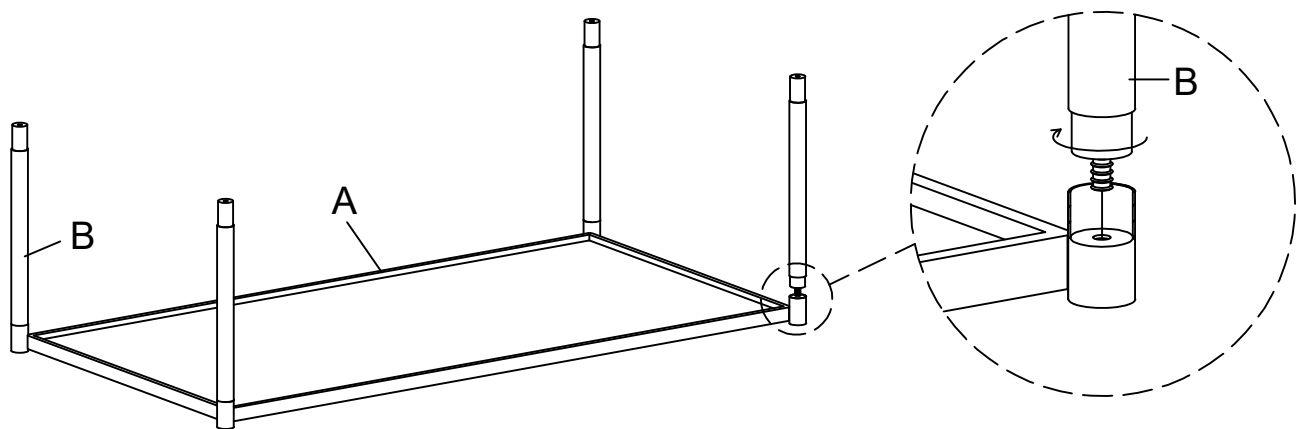


This page lists all the contents included in the box. Please take the time to identify the hardware as well as the individual components to this product. As you unpack and prepare for assembly, place the contents on a carpeted or padded area to protect them from damage.

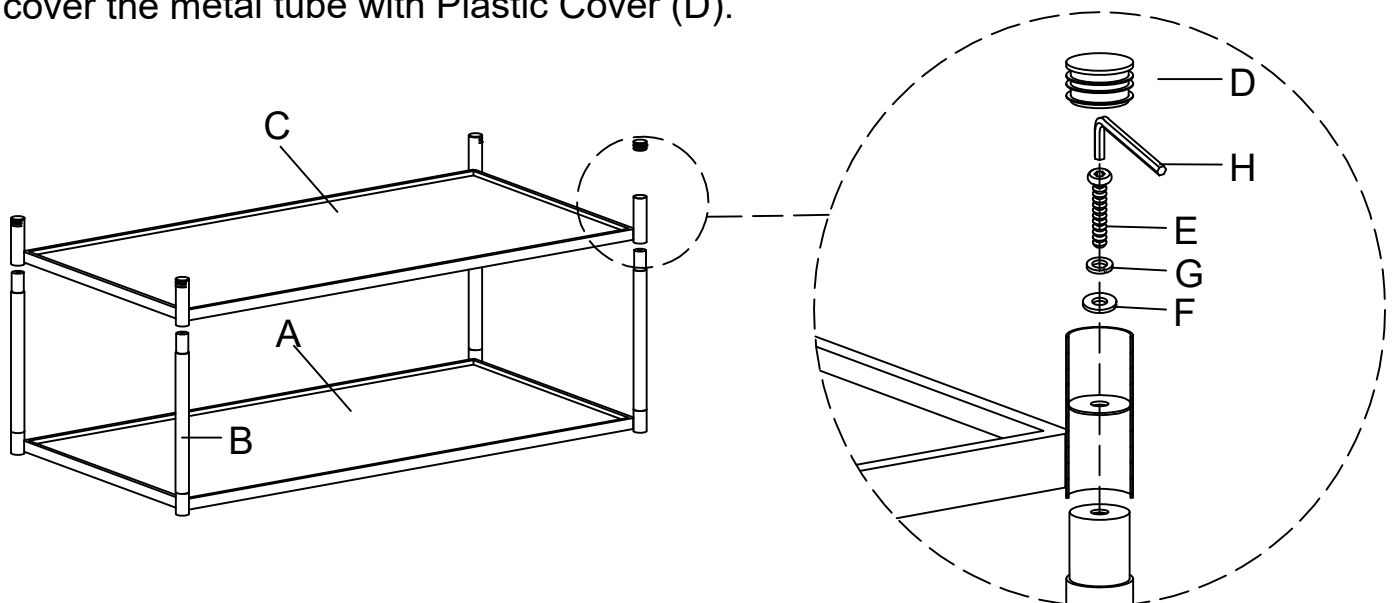
1 Pull out the plug from the metal tube of Table Top (A) and Bottom Base (C).



2 Attach Post (B) to Table Top (A), and rotate tightly.



3 Attached Bottom Base (C) to the Post (B), using Bolt (E), Lock Washer (G), Flat Washer (F), in the holes of the metal tube. Turn the Allen Key (H) in Bolt (E), then cover the metal tube with Plastic Cover (D).



Cleaning & Care

Treat surface with care. Surface is resistant to scratches but is not scratch resistant. Clean surfaces with a dry or damp soft cloth. Do not use abrasive cleaners. Hardware may loosen over time. Periodically check that all connections are tight.