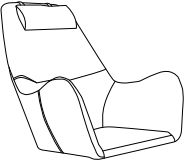
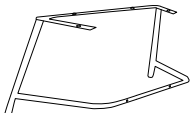
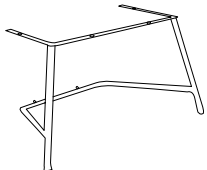








Diagram illustrating assembly instructions and safety warnings:

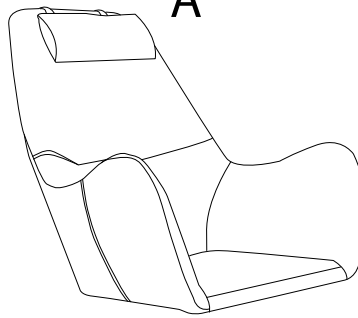
- Top Section:** Shows a corner bracket being inserted into a hole in a wooden piece. A power drill is shown with a diagonal line through it, indicating it should not be used. A warning triangle with an exclamation mark is positioned to the right. Below this is a clock icon with the text "30'", indicating a 30-minute time limit.
- Bottom Section:** Shows a rectangular block being placed on a surface. A power drill is shown with a diagonal line through it, indicating it should not be used. A warning triangle with an exclamation mark is positioned to the right. Below this is a person icon with the number "1", indicating that one person is required for this step.

A	B1	B2	C	D
				
x 1	x 1	x 1	x 2	x 1

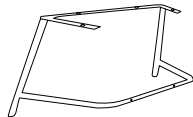
D



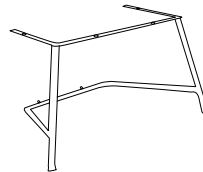
A



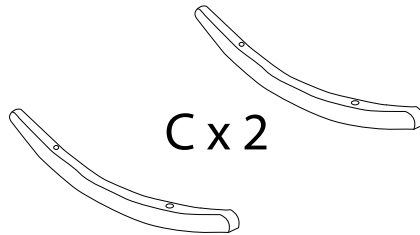
B1


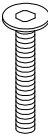
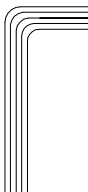


B2

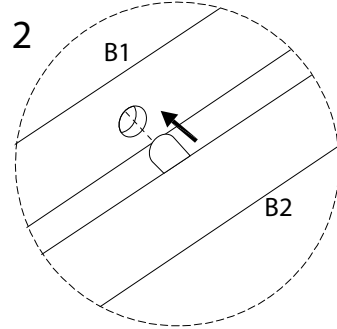
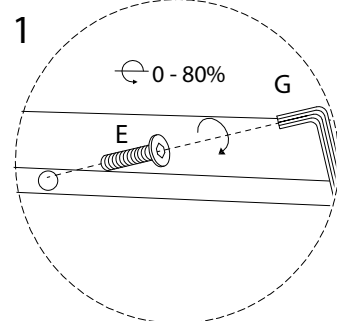
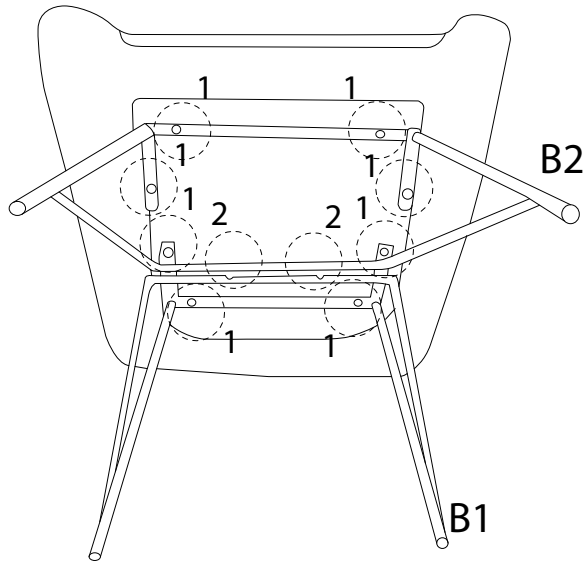
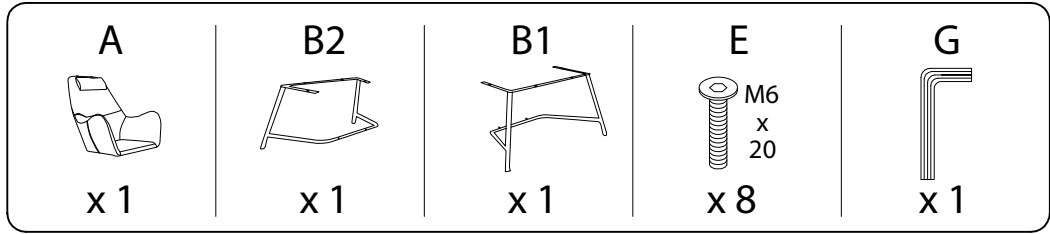


C x 2

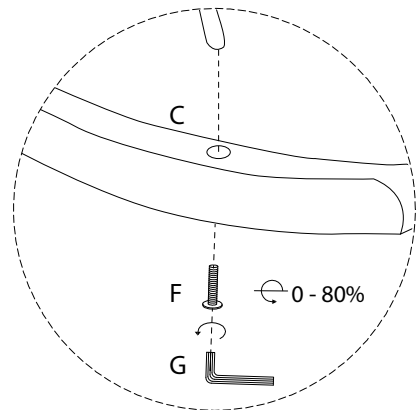
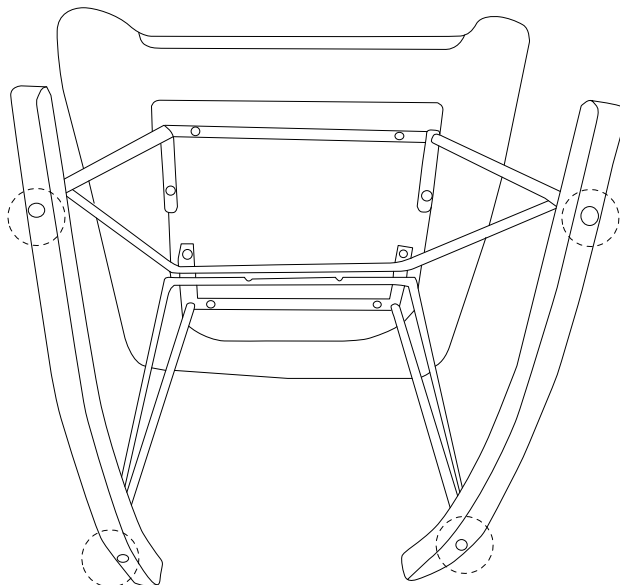
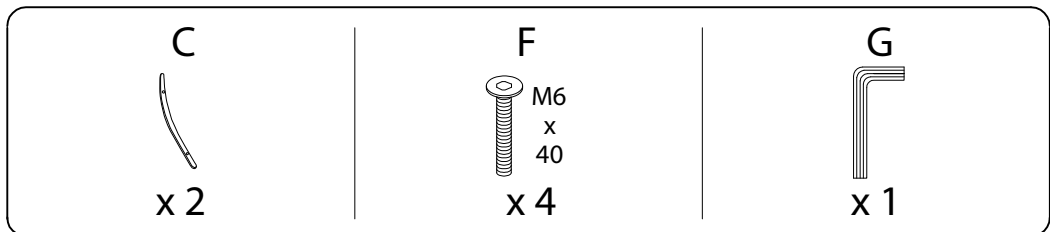


E	F	G
 <p>M6 x 20</p>	 <p>M6 x 40</p>	
x 8	x 4	x 1

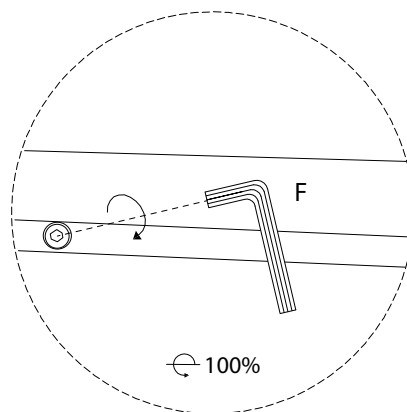
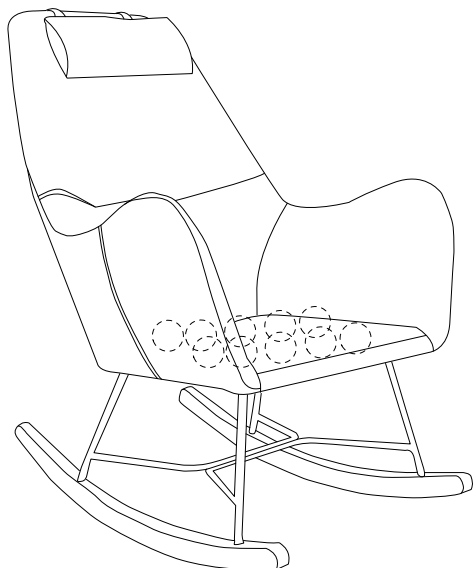
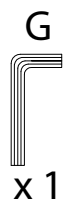
1



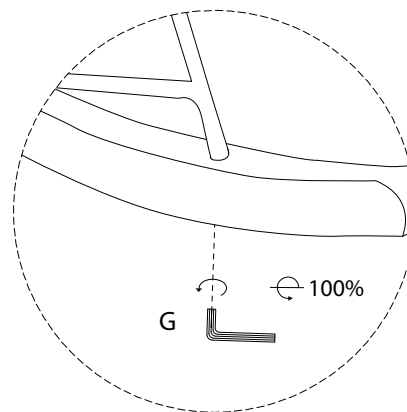
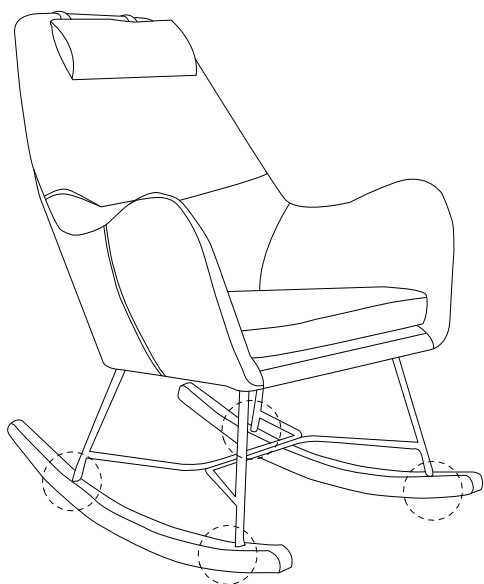
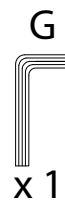
2



3



4



5

D



x 1

