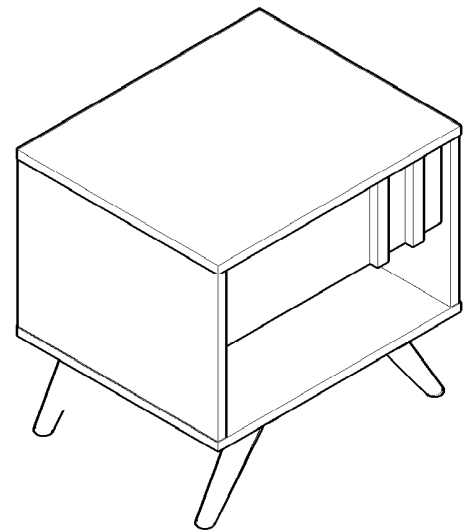


# ASSEMBLY INSTRUCTIONS

Thank you for your purchase.  
Before assembly, please read these instructions.  
Please read all warnings.  
Store this instruction manual for future reference.



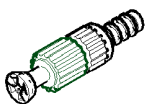
Product Size	Approximately <b>398</b> Width x <b>480</b> Length x <b>469</b> Height (MM)
Main Materials	MDF (Medium Density Fiberboard)
Weight Capacity	Top insert: About <b>30KG</b> , Shelf insert: About <b>10KG</b> , ※ These are measured figures, not guaranteed figures.
Time To Assembly	About <b>30</b> Minutes

## Assembly Warning

- Assembling with 2 or more people is recommended.
- Please assemble at a spacious and flat place
- Please place blankets or cardboard so floor or walls will not be scratched
- Please ventilate the area if there is a strong glue odor after opening the product
- Please follow assembly instructions
- Please have the below tools ready before assembling
  - Screwdriver, Scissors or Blade Box cutter, Rubber hammer, Drill

## Hardware

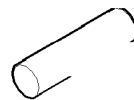
Before assembly, inspect unit for missing parts. Be sure that children do not accidentally swallow these parts.  
※ Same sized parts are in a bag. Please check the size of the screws.



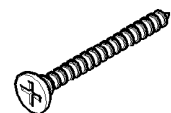
**A** Minifix  
M5x24MM **4 Pcs**



**B** Minifix  
Casing **4 Pcs**



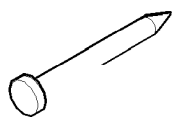
**C** Wood Dowel  
M8x30MM **12 Pcs**



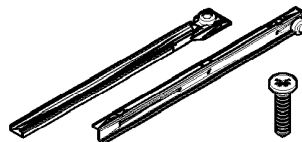
**D** Screw  
M4x38MM **8 Pcs**



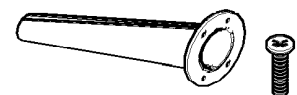
**E** Screw  
M6x50MM **4 Pcs**



**F** Power Pin **10 Pcs**



**G** Drawer Slide 12" **1 Set**  
Screw M3.5x12MM **12 Pcs**

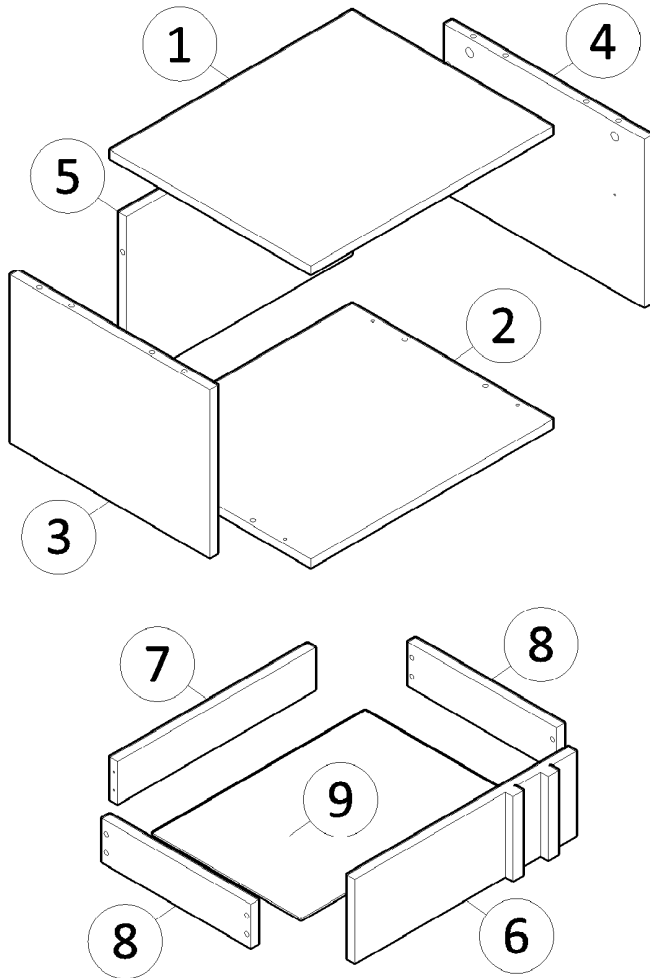


**H** Pvc Leg **4 Pcs**  
Screw M3.5x16MM **16 Pcs**



**I** Allen Key **1 Pc**

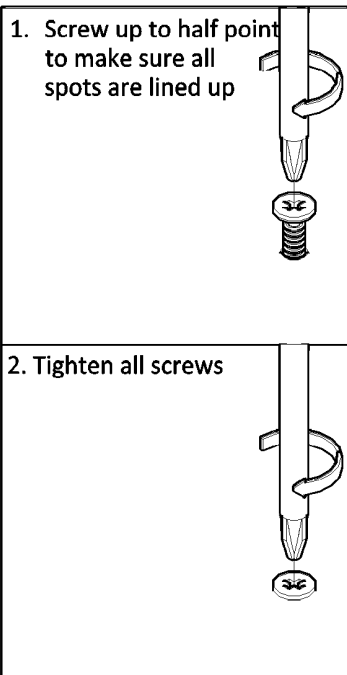
# Parts



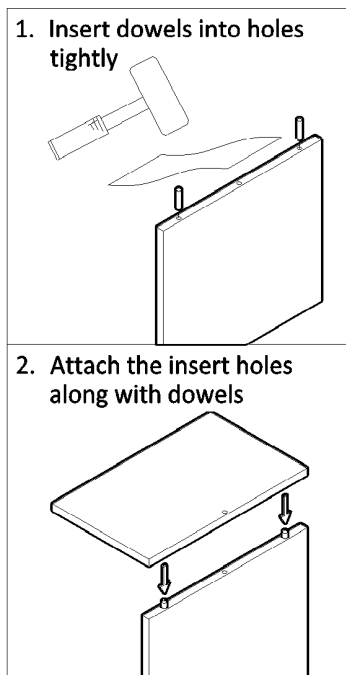
①	Top Panel	1 Pc
②	Bottom Panel	1 Pc
③	Side Panel (L)	1 Pc
④	Side Panel (R)	1 Pc
⑤	Back Panel	1 Pc
⑥	Drawer Face Panel	1 Pc
⑦	Drawer Back Panel	1 Pc
⑧	Drawer Side Panel	2 Pcs
⑨	Drawer Mdf Board	1 Pc

## Assembly Information

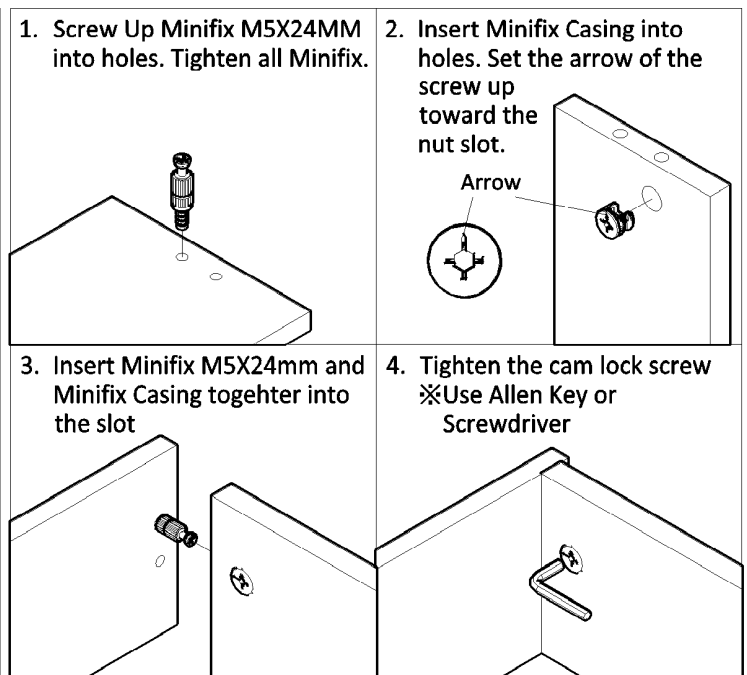
### Assemble screws



### Assemble Wood Dowels



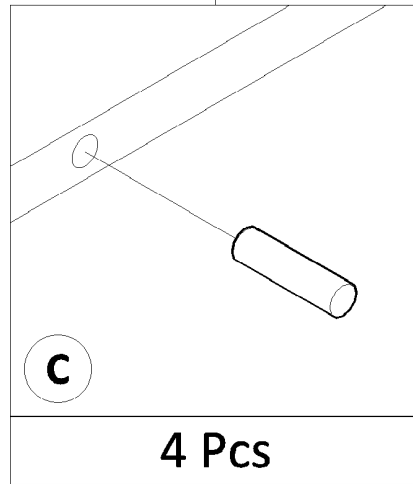
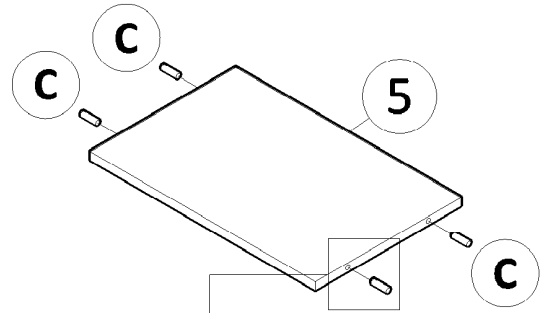
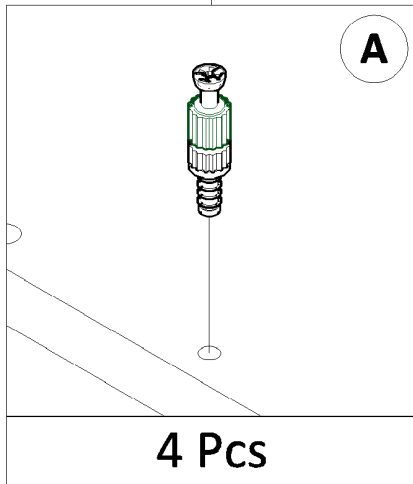
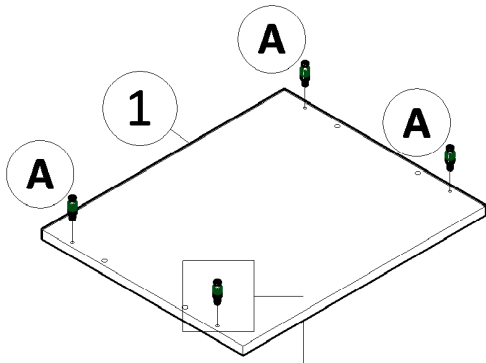
### Assemble Minifix



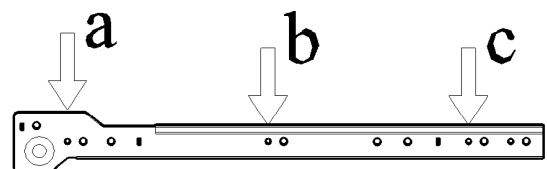
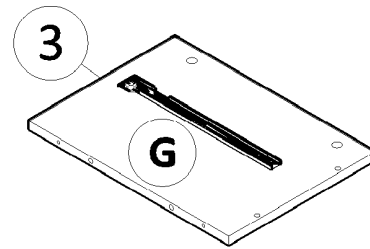
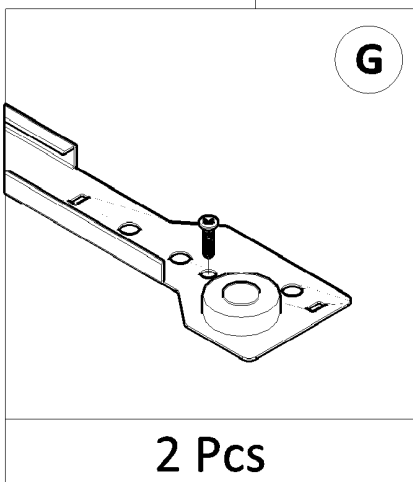
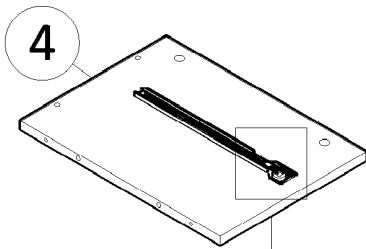
# Assembly Step

Failure to follow these directions could cause poor strength or stability.  
Insert screws loose to line up with slots then tighten up each screw.

1



2



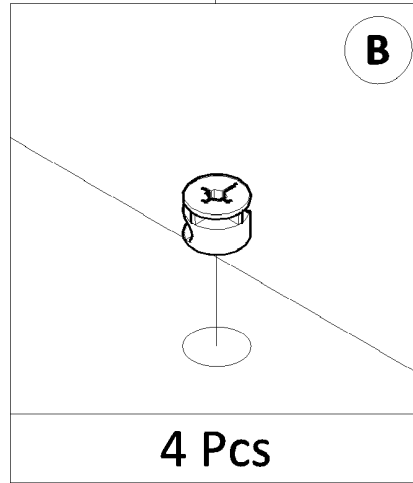
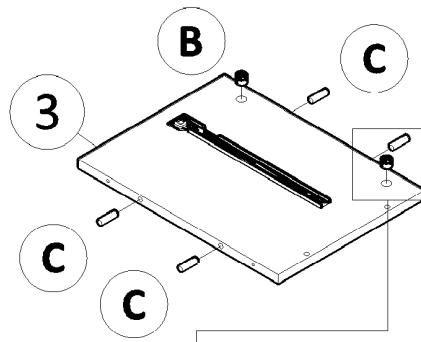
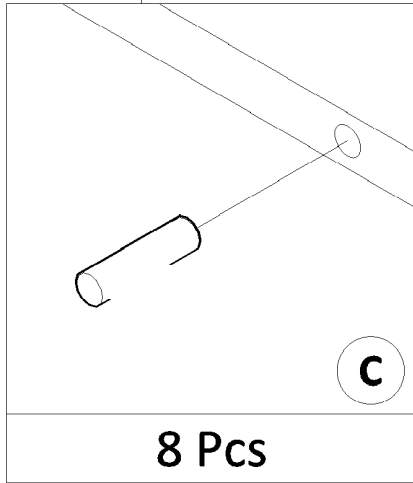
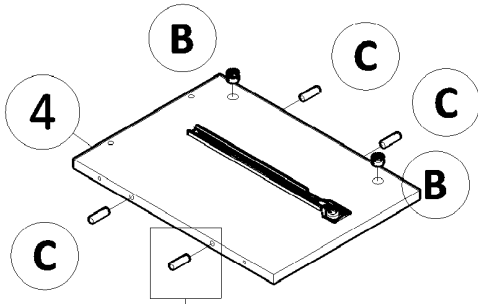
# Screw in hole a, b and c

# CL for panel 3

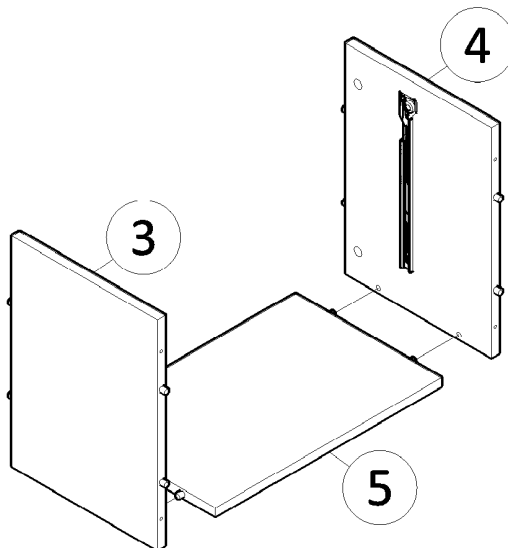
# CR for panel 4

# Assembly Step (Continue)

3

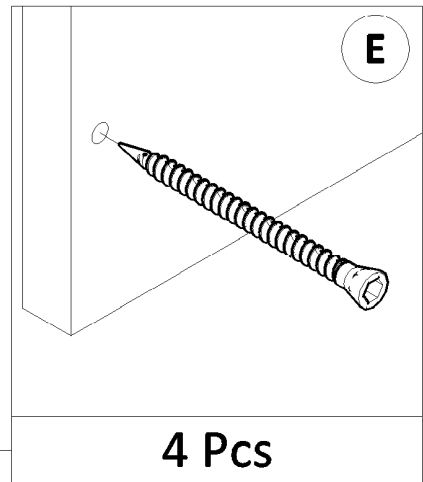
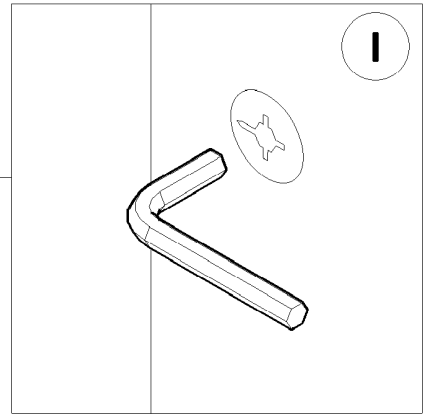
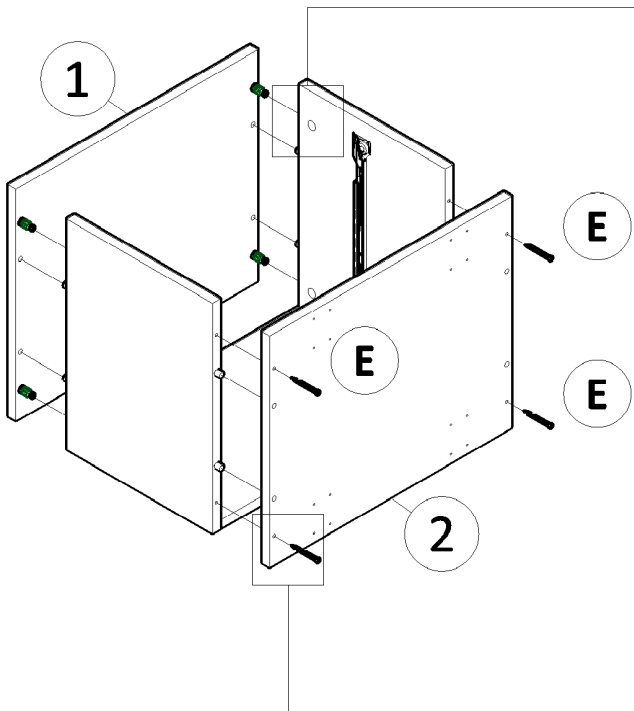


4

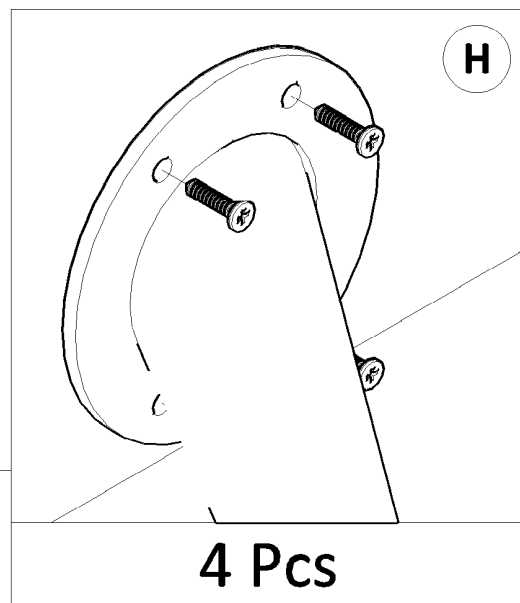
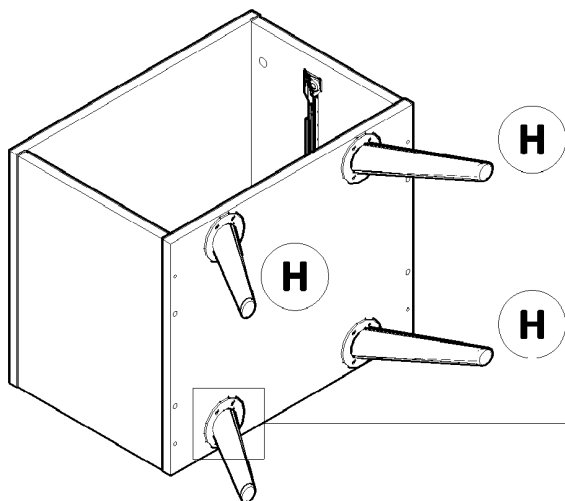


# Assembly Step (Continue)

5

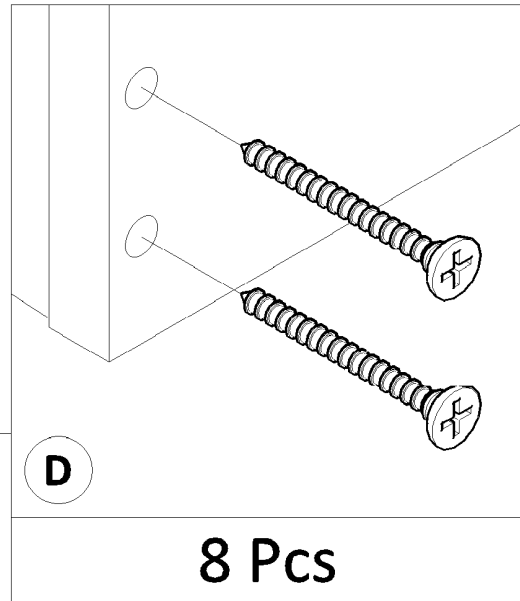
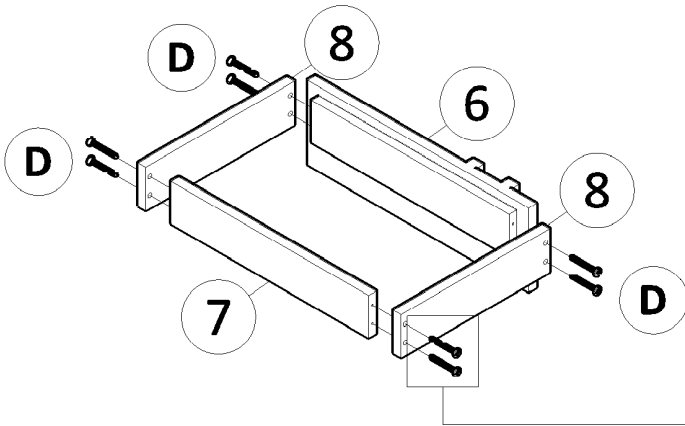


6

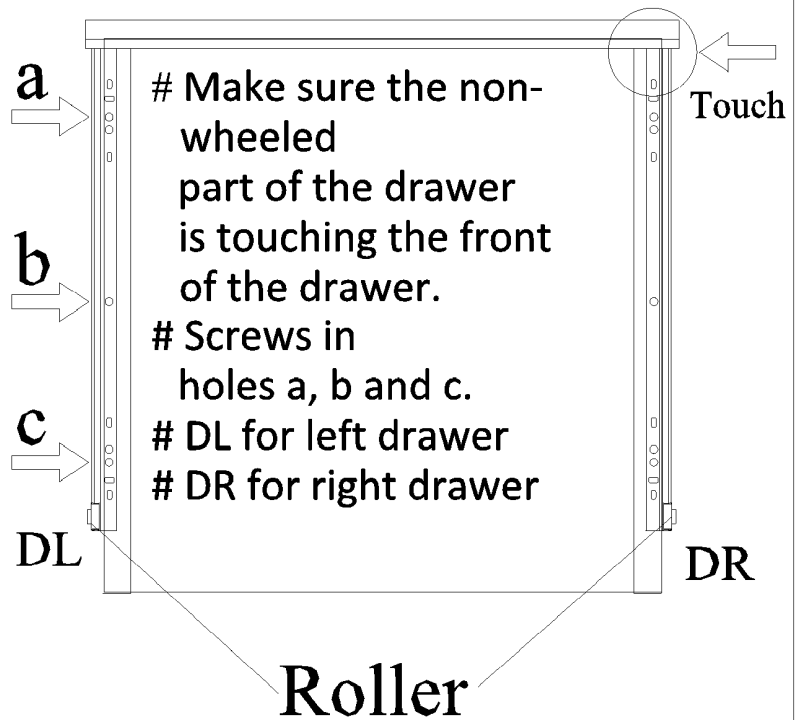
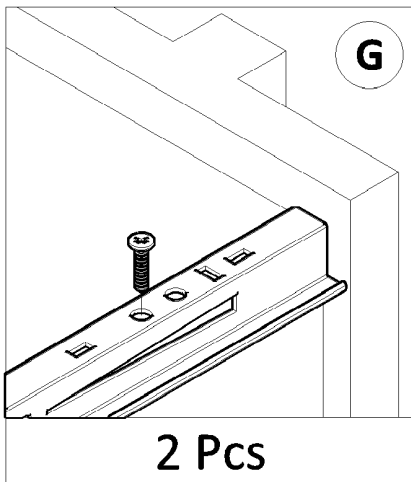
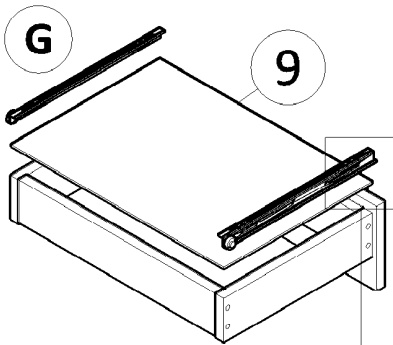


# Assembly Step (Continue)

7

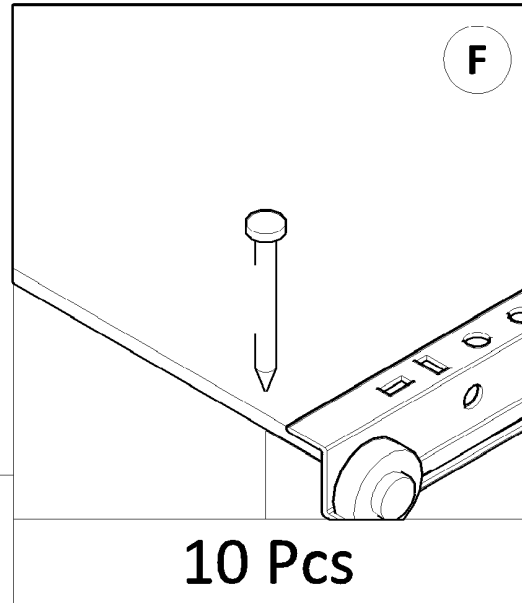
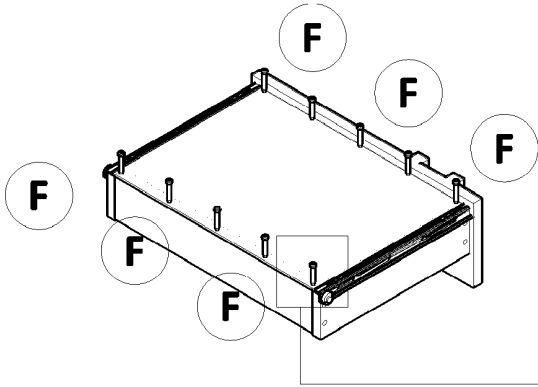


8

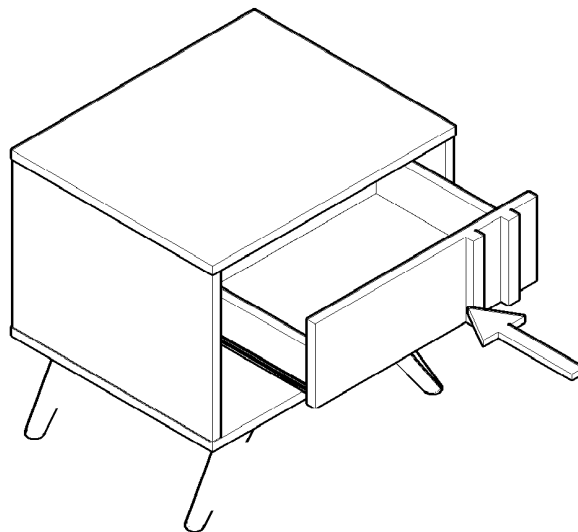


# Assembly Step (Continue)

9



10



# Safety

Please read the below warnings before use.

Failure to follow these warnings could result in serious injury.



## CAUTION !!!

### Purpose

- Do not use this unit except for original application
- This unit is for household use. Do not use it for wholesale.
- This unit is for indoor use. Do not use it outside.

### Assembly

- Assembling with 2 or more people is recommended
- Please assemble at a spacious and flat place
- Please place blankets or cardboard so floor or walls will not be scratched
- Please ventilate the area if there is strong glue odor after opening the product
- Please follow assembly instructions

### Placing The Unit

- Store the unit on a flat surface.
- Place a mat under the unit if you place it on wood floors for floor protection
- Do not place the unit in areas where conditions are extreme, such as direct sun or a humid place
- Do not place the unit in a hot or humid area, such as near the heater or fireplace

### Usage

- Please check your surroundings when you use this unit
- Do not place any hot or wet objects on the unit
- Remove all objects on the unit when you move it
- Do not leave water or wet objects on the surface.
- Do not use it for toys
- Do not stand on it or use it for a step stool.
- Do not overload only the top drawers. Load the same amount to help prevent tipping of the unit.
- Do not leave drawers open or put pressure on opened drawers to help prevent falling or wrecking.
- Do not stand or put pressure on opened drawers.
- Colors could fade
- Please open drawers slowly
- Make sure you do not catch your finger when you use the drawer.
- Weight Capacity Top insert: About **40KG** , Shelf insert: About **10KG**,  
※ These are measured figures, not guaranteed figures

# Cleaning

- Please check all assembled parts are tight regularly. (About once a month)
- Use dry soft cloths for dust and spots
- For heavy spots, use clothes with neutral detergent then dry in a well ventilated area.
- Do not use if any parts are broken.
- Please recycle the unit or its package depending on your city rules.