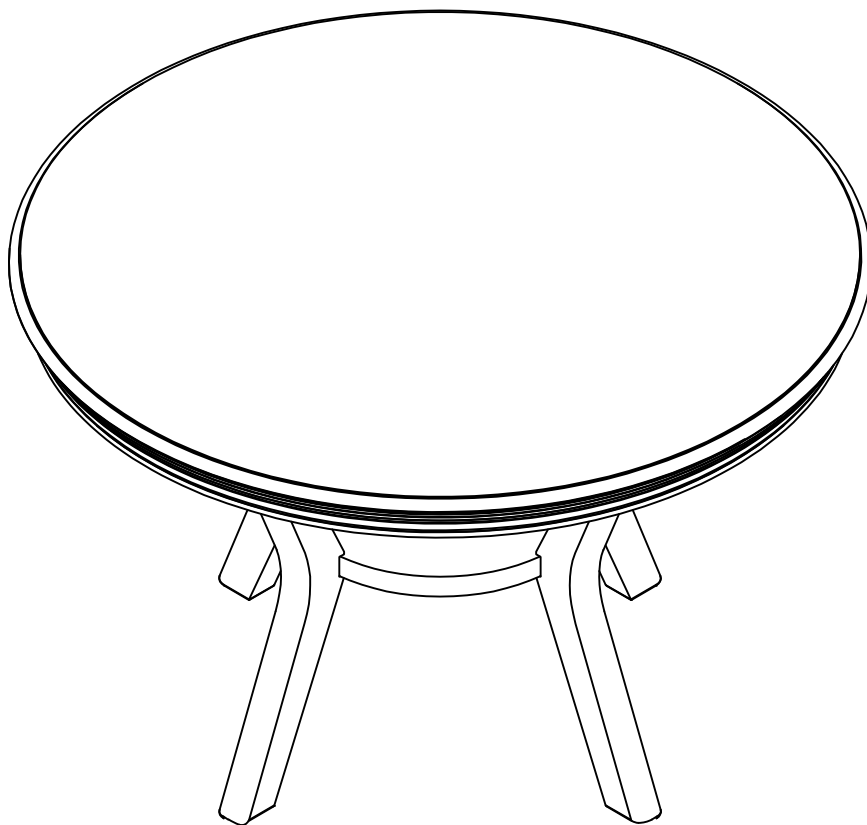


# ASSEMBLY INSTRUCTIONS

---



## TOOLS REQUIRED



Allen Wrench

(Included)



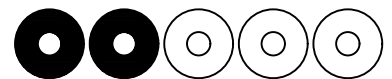
Phillips  
Screwdriver

(Not Included)



2 - People  
Recommended

## ASSEMBLY RATING



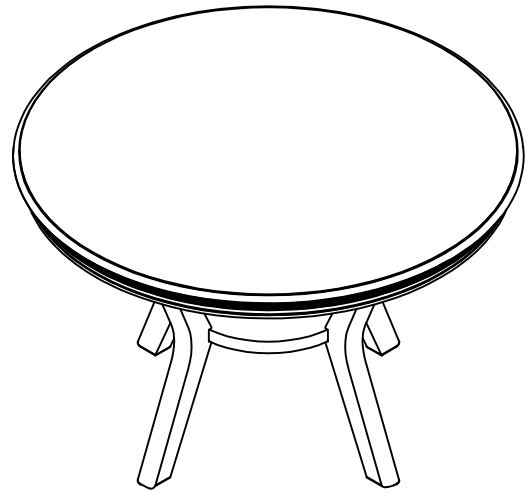
EASY —————> DIFFICULT

The Assembly Rating is a 5-point system showing the level of effort needed to assemble a specific product.

# TABLE



- Please keep instructions for future reference.
- Check the quantity and irregularity of parts and hardware before you start.



## PARTS

#1 1pc



Table Top

#2 1pc



Table Shelf

#3 4pcs



Leg

## HARDWARE

#A 8pcs



Bolt Ø5/16" x 2-3/4"

#B 8pcs



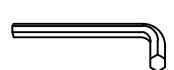
Lock Washer

#C 8pcs



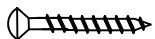
Flat Washer

#D 1pc

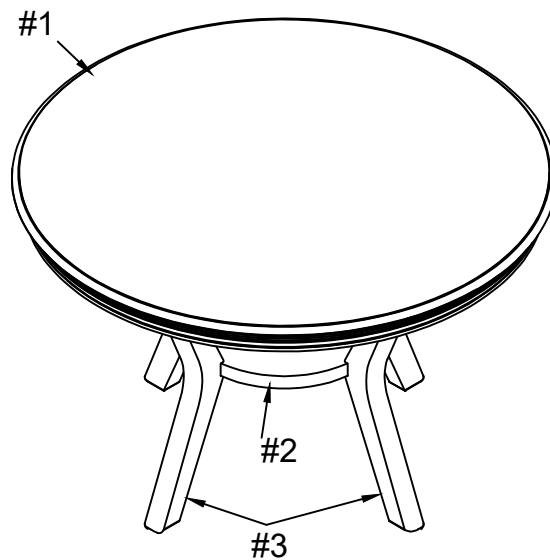


Allen Wrench

#E 4pcs



Screw #8x44mm



# ASSEMBLY INSTRUCTIONS

## 1

Parts #1 x 1pc

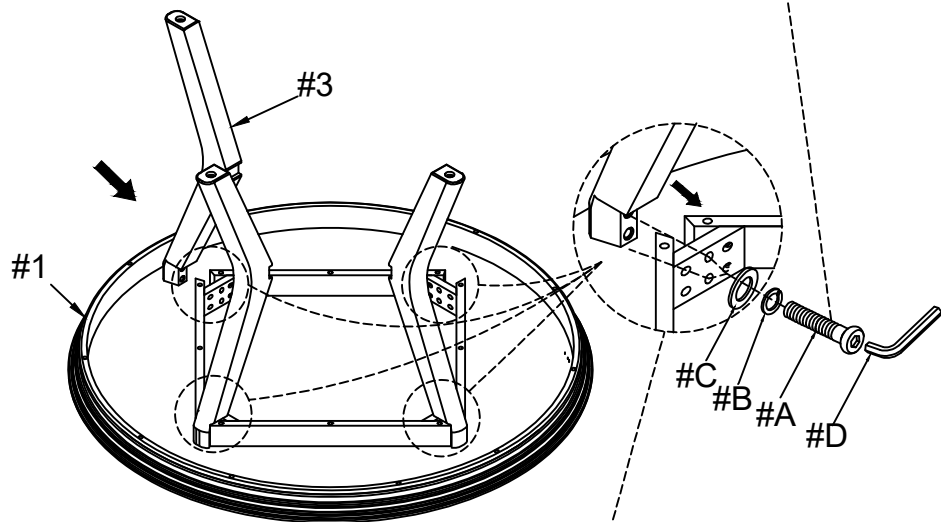
Parts #3 x 4pcs

Hardware #A x6pcs

Hardware #B x6pcs

Hardware #C x6pcs

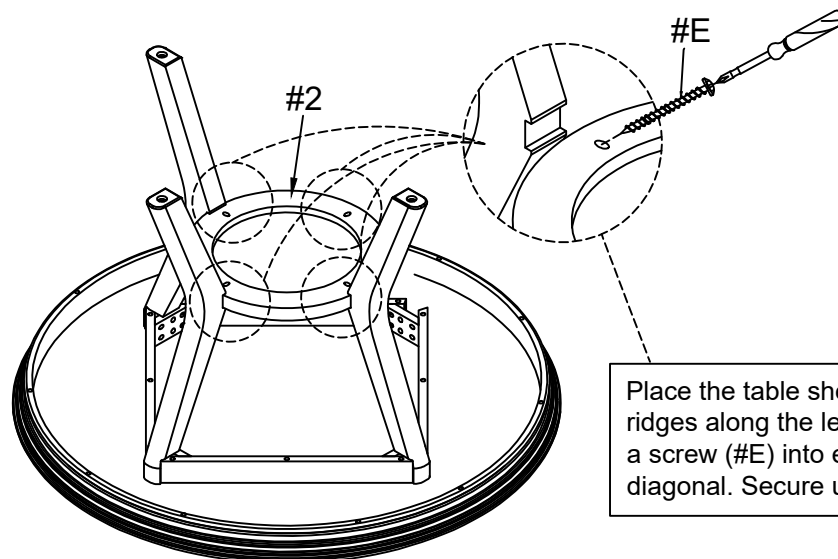
1. Prepare 6 bolt assemblies by first inserting a lock washer (#B) onto the bolt (#A) then a flat washer (#C) onto that same bolt (#A).



2. Align three legs (#3) to the holes along the bottom of the table top (#1), then insert the bolt assemblies from within and secure.

## 2

Hardware #E x3pcs



Place the table shelf (#2) onto the ridges along the legs, then insert a screw (#E) into each hole at a diagonal. Secure using a screwdriver.

# ASSEMBLY INSTRUCTIONS

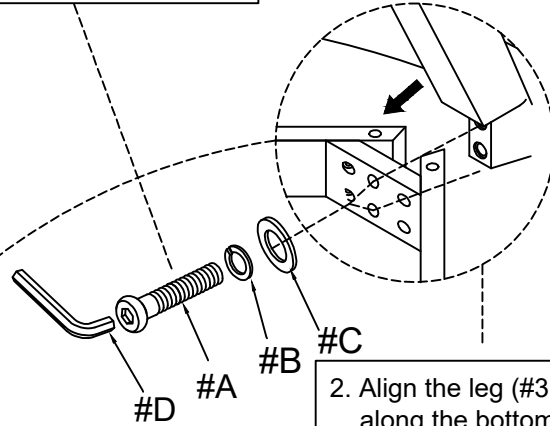
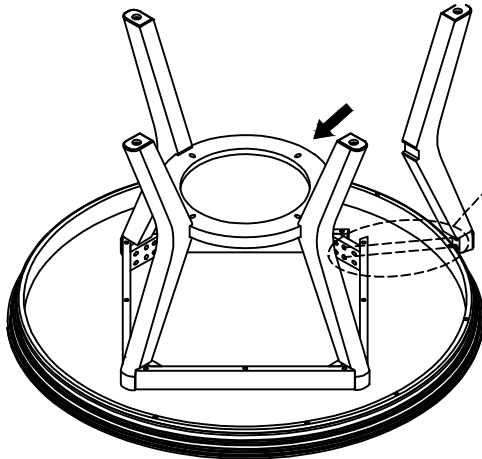
## 3

Hardware #A x2pcs

Hardware #B x2pcs

Hardware #C x2pcs

1. Prepare 2 bolt assemblies by first inserting a lock washer (#B) onto the bolt (#A) then a flat washer (#C) onto that same bolt (#A).

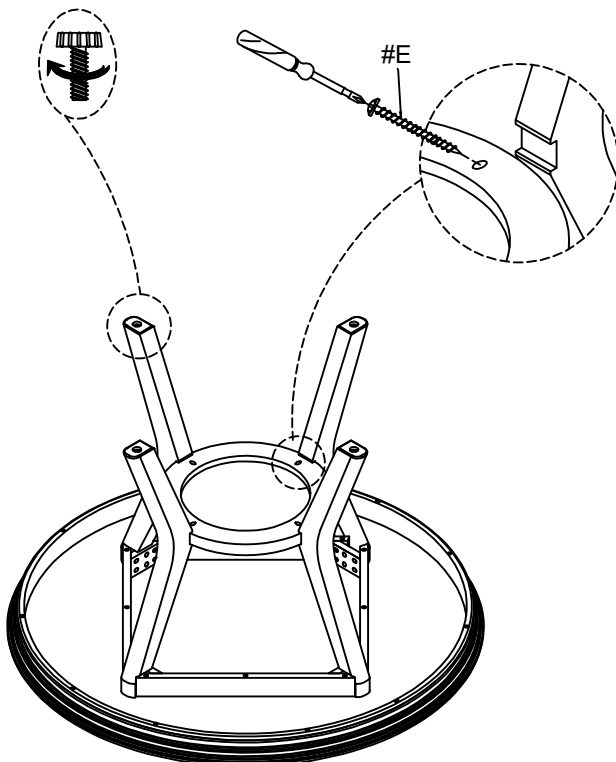


2. Align the leg (#3) to the holes along the bottom of the table top (#1) and the shelf (#2), then insert the bolt assemblies from within and secure.

## 4

Hardware #E x4pcs

insert a screw (#E) into the hole at a diagonal. Secure using a screwdriver.



## ASSEMBLY COMPLETED



Please ensure the furniture rests on an even and flat surface. If the product wobbles or feels loose, double-check all bolts and/or screws are properly tightened and secured.

### ✓ Keep this handy!

Please retain this instruction manual and any order-related information for future reference.

### ✓ Lift, don't drag!

To avoid damage to product please always LIFT the product when transporting or adjusting the placement.