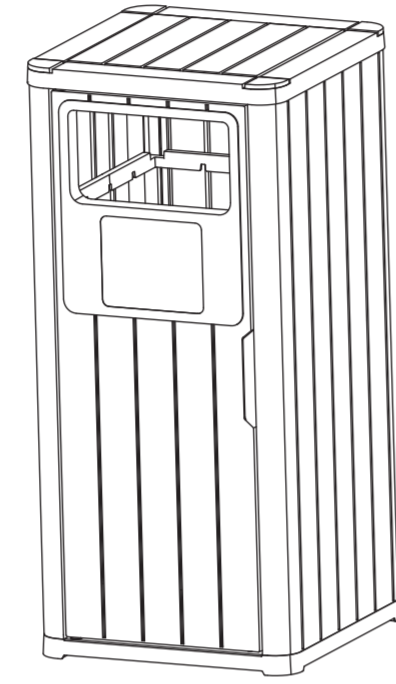


# 148 × 210mm

## ASSEMBLE INSTRUCTIONS



258A

### IMPORTANT

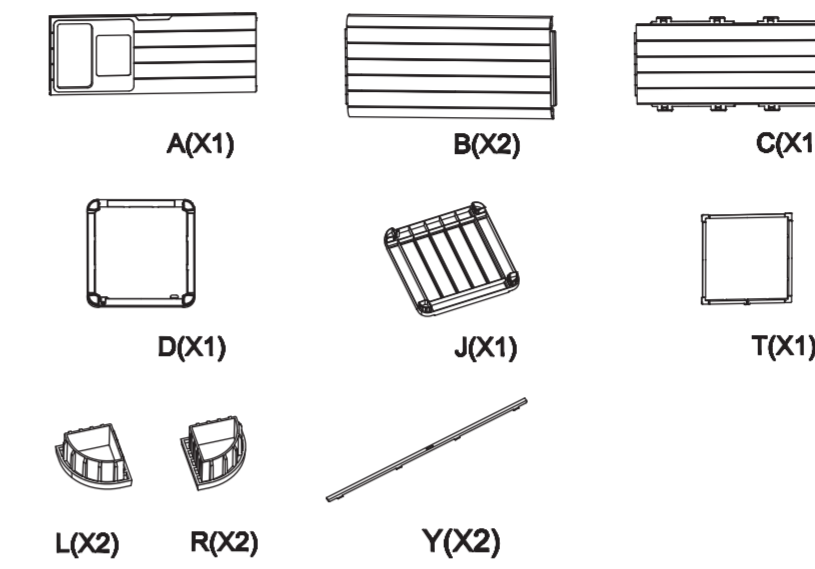
Once installed, the product cannot be detached. Strictly follow each step in the installation manual.

- Gather and organize all required parts prior to assembly. If you have any problems or discover any missing parts, please contact customer service.
- Some parts may contain sharp edges. Wear protective gloves if necessary during assembly.

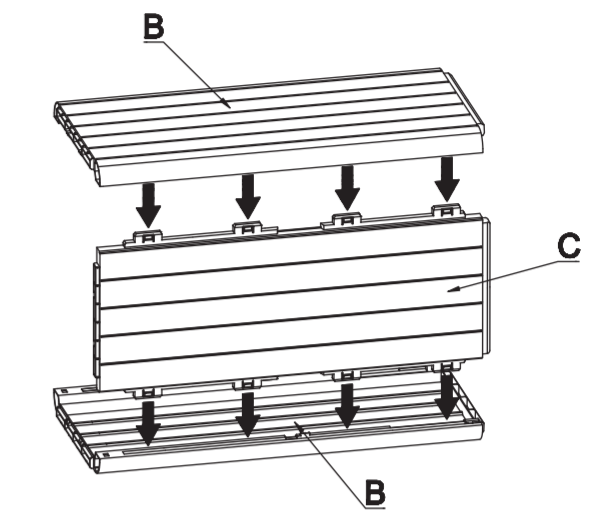
### CARE & SAFETY

- Assemble on a flat, clean and soft surface.
- In case of fire, do not attempt to extinguish any burning polypropylene with water.
- Wear safety-goggles and always follow the manufacturer's instructions when using power tools.
- During installation, please refer to the accessories guide to ensure that they are installed in the correct directions.
- Do not stand on the lid.

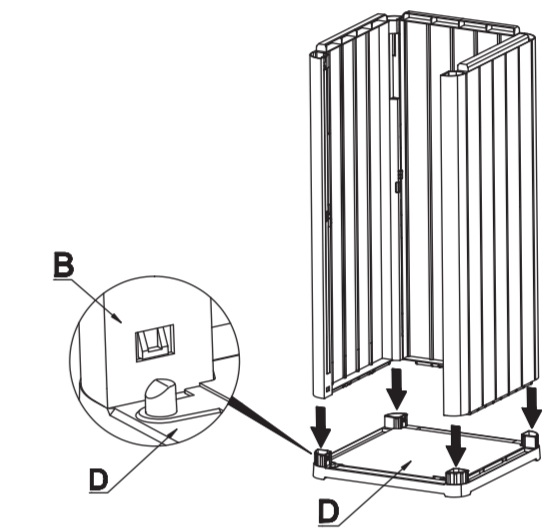
### PARTS LIST



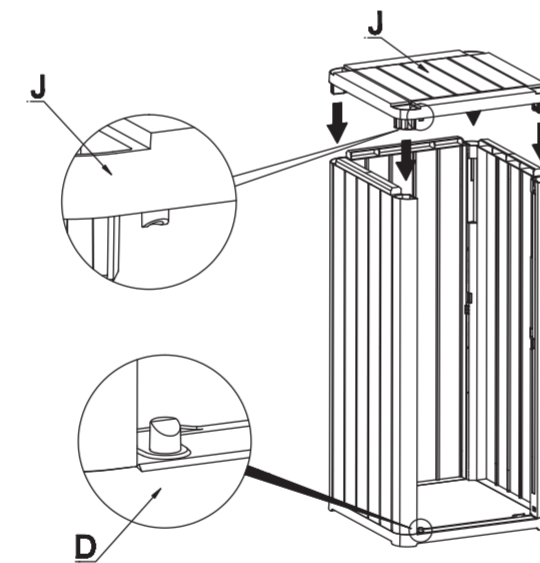
1 B(X2) C(X1)



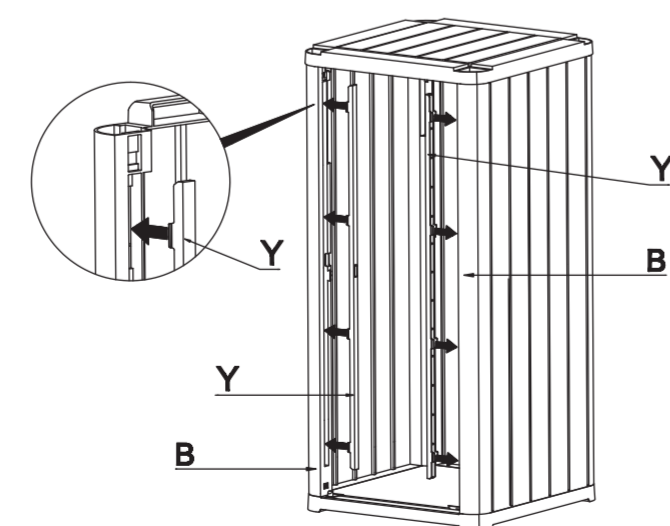
2 D(X1)



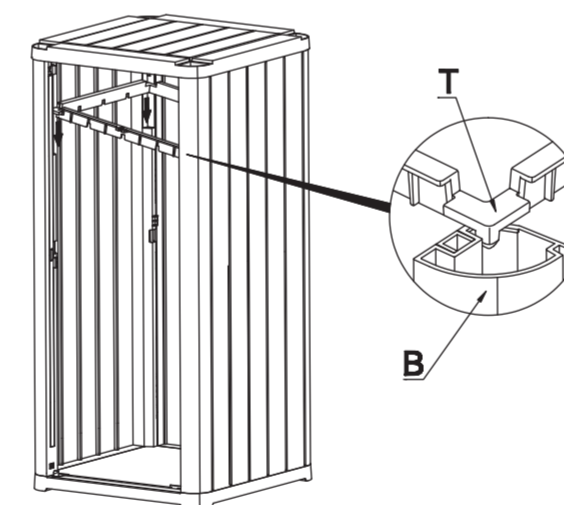
3 J(X1)



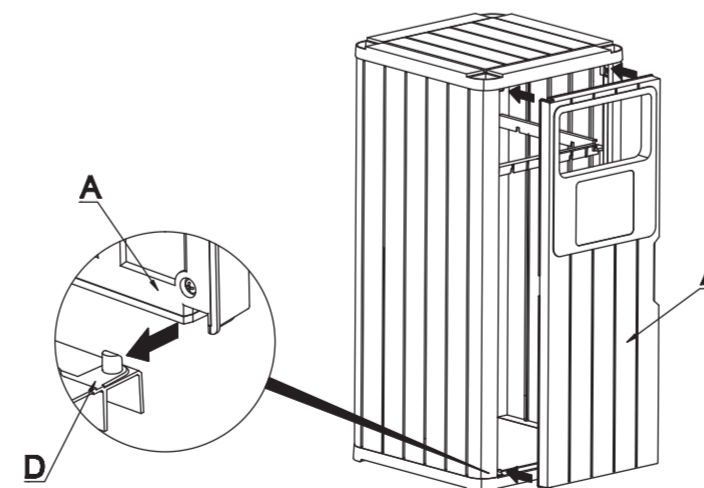
4 Y(X2)



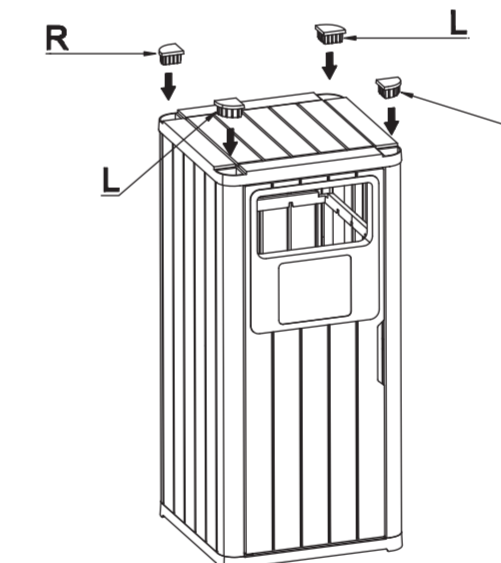
5 T(X1)



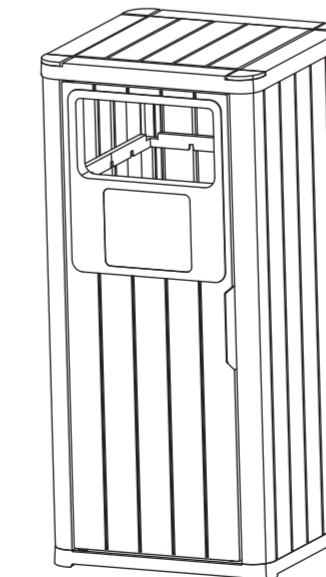
6 A(X1)



7 L(X2) R(X2)



8



1

2

3

4

5

6