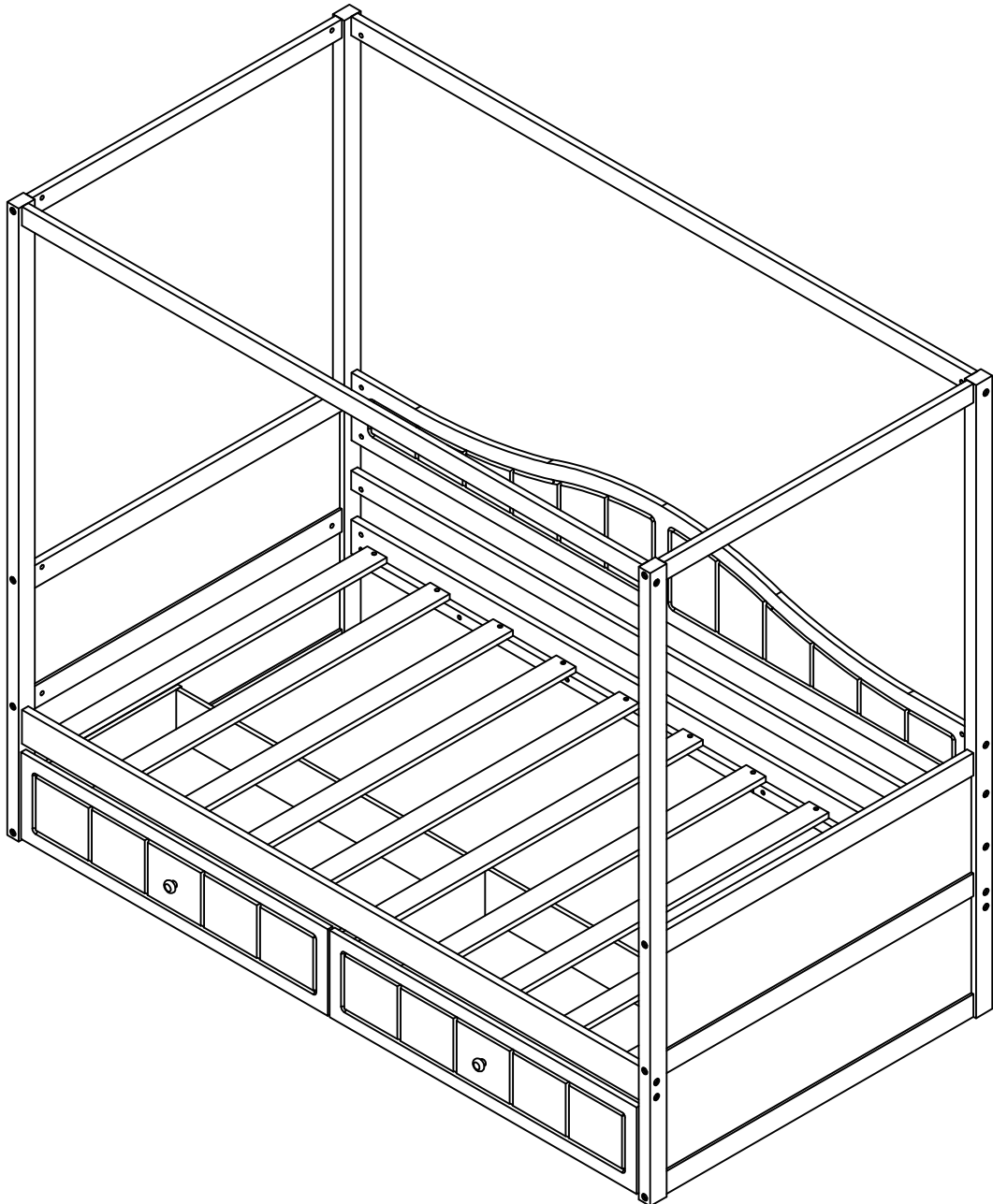
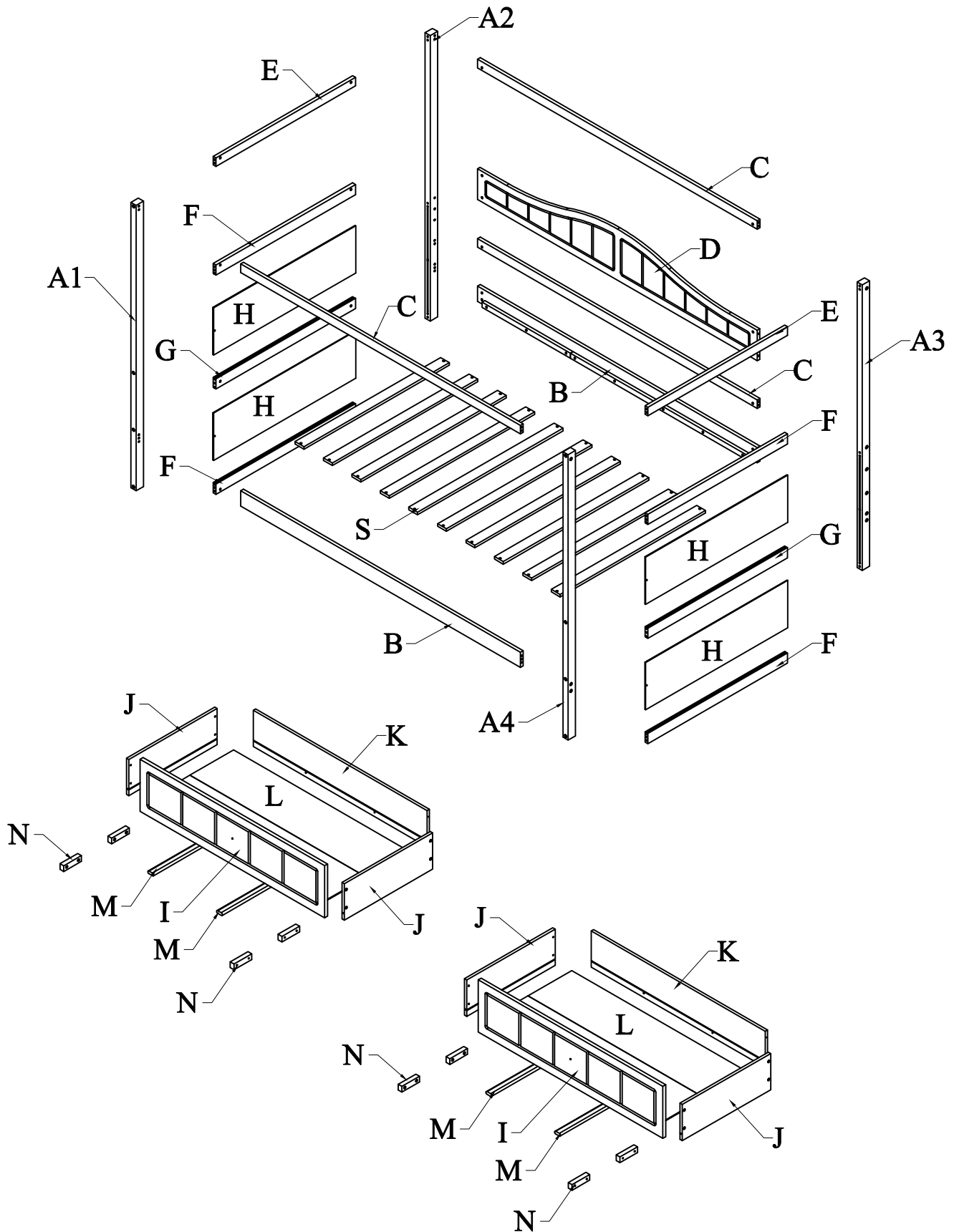




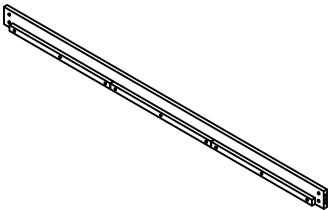
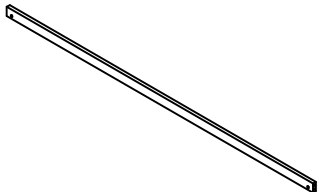
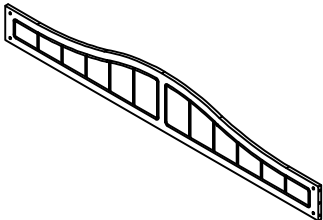
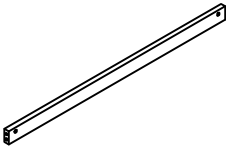
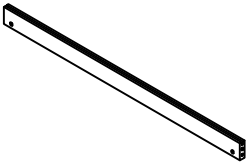
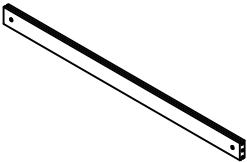
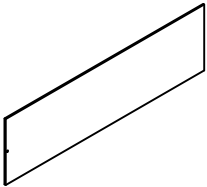
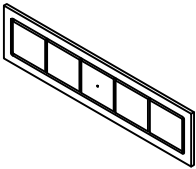
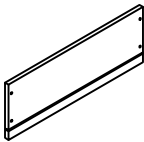
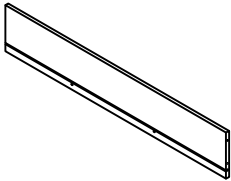
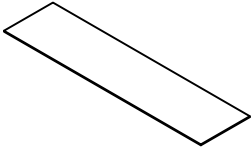

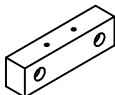
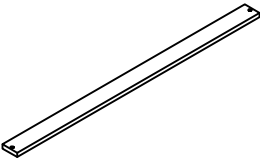


# ASSEMBLY INSTRUCTIONS

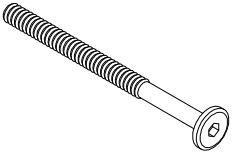
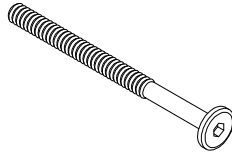
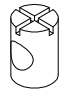
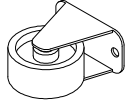
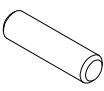
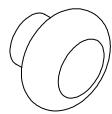
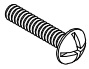
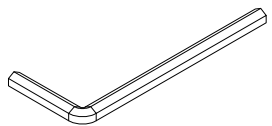
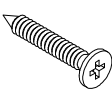



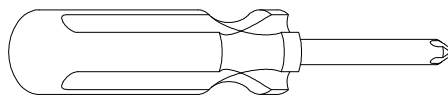
# DETAIL VIEW



<p><b>A1</b></p>  <p>Front leg - left (1pc)</p>	<p><b>A2</b></p>  <p>Back leg - left (1pc)</p>	<p><b>A3</b></p>  <p>Back leg - right (1pc)</p>	<p><b>A4</b></p>  <p>Front leg - right (1pc)</p>
<p><b>B</b></p>  <p>Side rail (2pcs)</p>	<p><b>C</b></p>  <p>Back rail (2pcs)</p>	<p><b>D</b></p>  <p>Back panel (1pc)</p>	<p><b>E</b></p>  <p>Horizontal rail - top (2pcs)</p>
<p><b>F</b></p>  <p>Horizontal rail - bottom (4pcs)</p>	<p><b>G</b></p>  <p>Horizontal rail - middle (2pcs)</p>	<p><b>H</b></p>  <p>Side panel (4pcs)</p>	<p><b>I</b></p>  <p>Front drawers (2pcs)</p>
<p><b>J</b></p>  <p>Side drawer (4pcs)</p>	<p><b>K</b></p>  <p>Back drawers (2pcs)</p>	<p><b>L</b></p>  <p>Bottom drawers (4pcs)</p>	<p><b>M</b></p>  <p>Support drawers (4pcs)</p>
<p><b>N</b></p>  <p>Support wheel (8pcs)</p>	<p><b>S</b></p>  <p>Slats (10pcs)</p>		

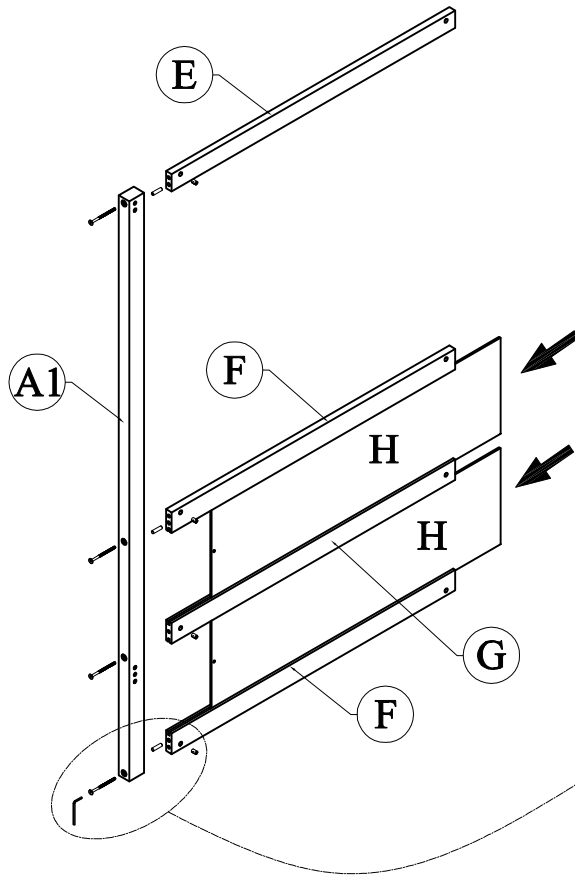
# HARDWARE LIST:



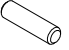
<p>1</p>  <p>Hex - Head bolts Ø1/4" * 90 - 16pcs</p>	<p>2</p>  <p>Hex - Head bolts Ø1/4" * 80 - 18pcs</p>	<p>3</p>  <p>Horizontal - Hold bolts Ø1/4" - 34pcs</p>	<p>4</p>  <p>Wheel 8pcs</p>
<p>5</p>  <p>Wood dowel Ø8 * 30 - 24pcs</p>	<p>6</p>  <p>Handle - 2pcs</p>	<p>7</p>  <p>Round crews Ø5/32" * 22 - 2pcs</p>	<p>8</p>  <p>Allen key K4 - 1pc</p>
<p>9</p>  <p>Wood crews M4 * 25 - 56pcs</p>	<p>10</p>  <p>Wood crews M3.5 * 15 - 16pcs</p>		

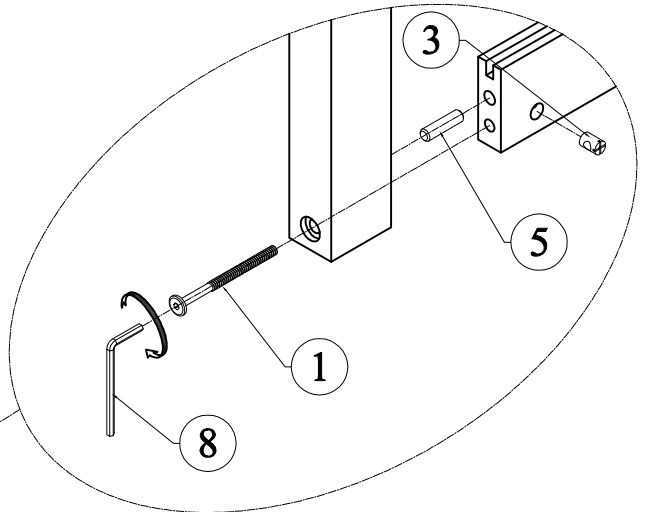


**Assembly Tools Required (Not Included)**

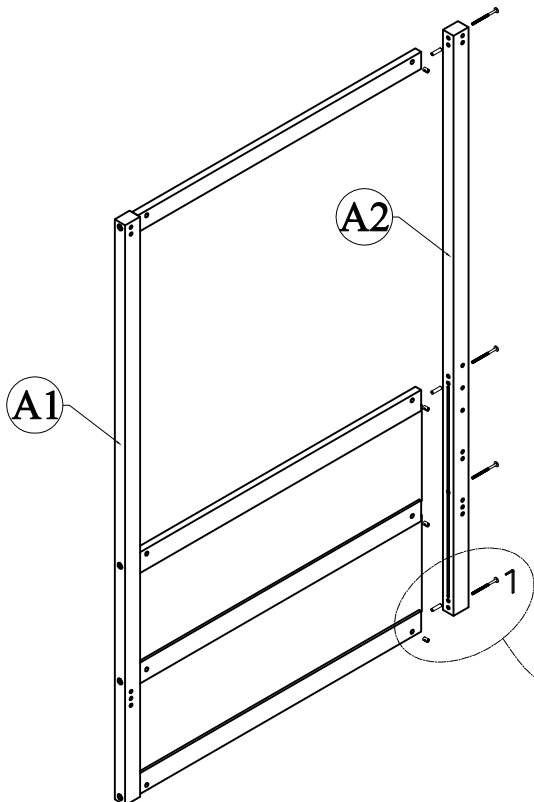
# STEP 1






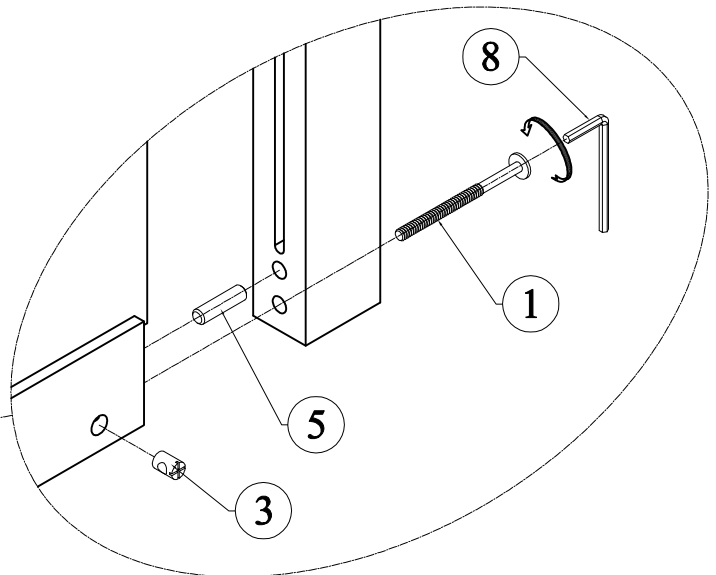
<p><b>1</b></p>  <p>Hex - Head bolts Ø1/4" * 90- 4pcs</p>	<p><b>3</b></p>  <p>Horizontal - Hold bolts Ø1/4" - 4pcs</p>	<p><b>5</b></p>  <p>Wood dowel Ø8 * 30 - 3pcs</p>
---	---	--



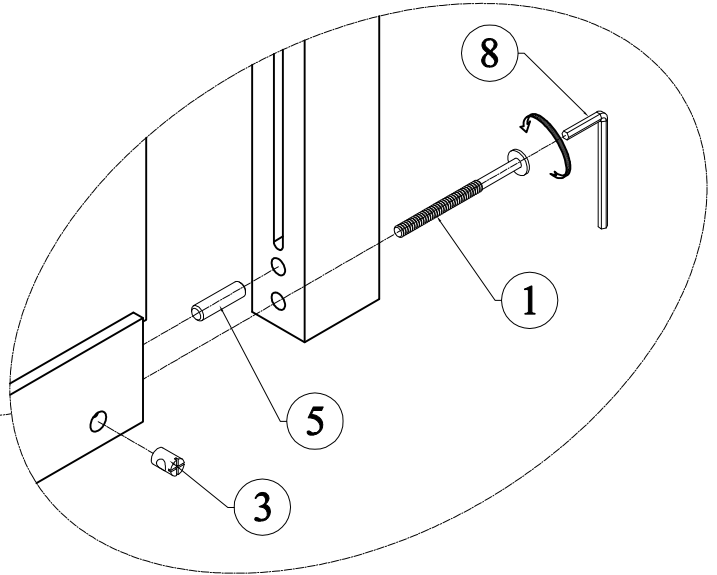
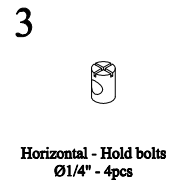
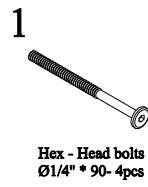
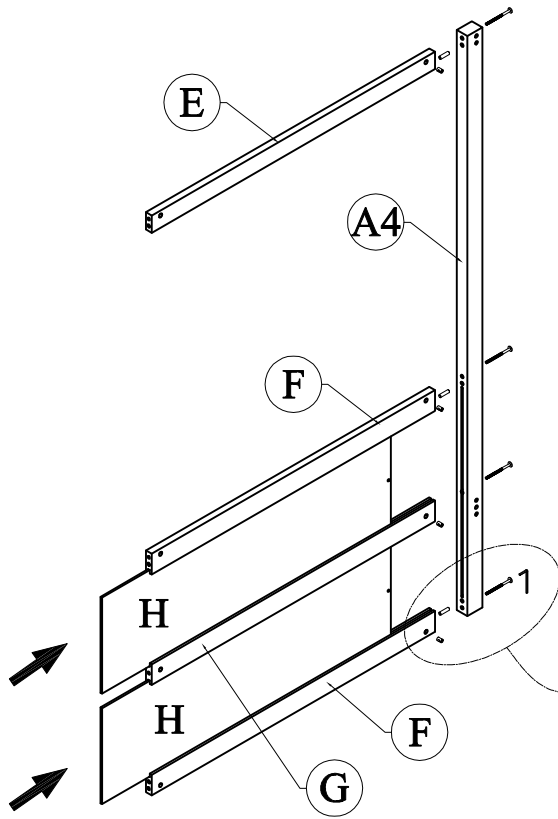
# STEP 2



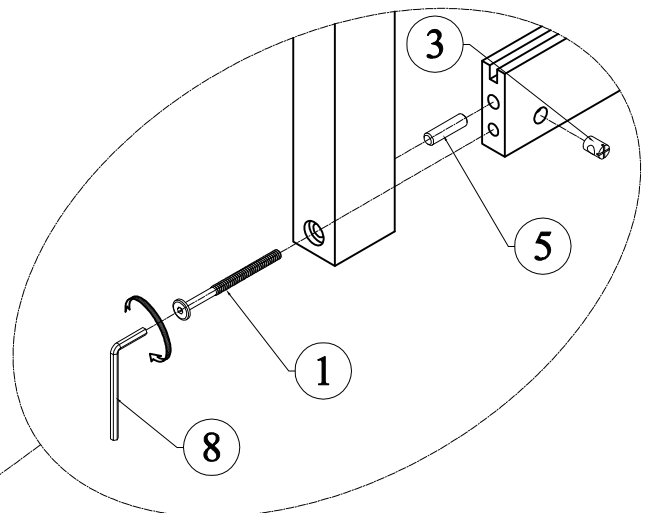
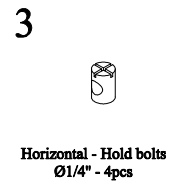
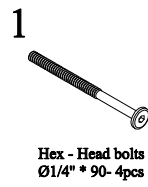
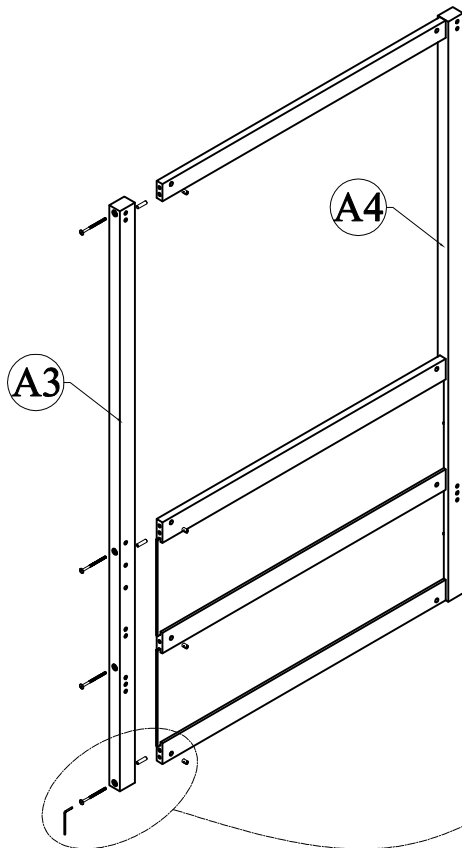
<p><b>1</b></p>  <p>Hex - Head bolts Ø1/4" * 90- 4pcs</p>	<p><b>3</b></p>  <p>Horizontal - Hold bolts Ø1/4" - 4pcs</p>	<p><b>5</b></p>  <p>Wood dowel Ø8 * 30 - 3pcs</p>
---	---	--





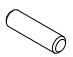
# STEP 3

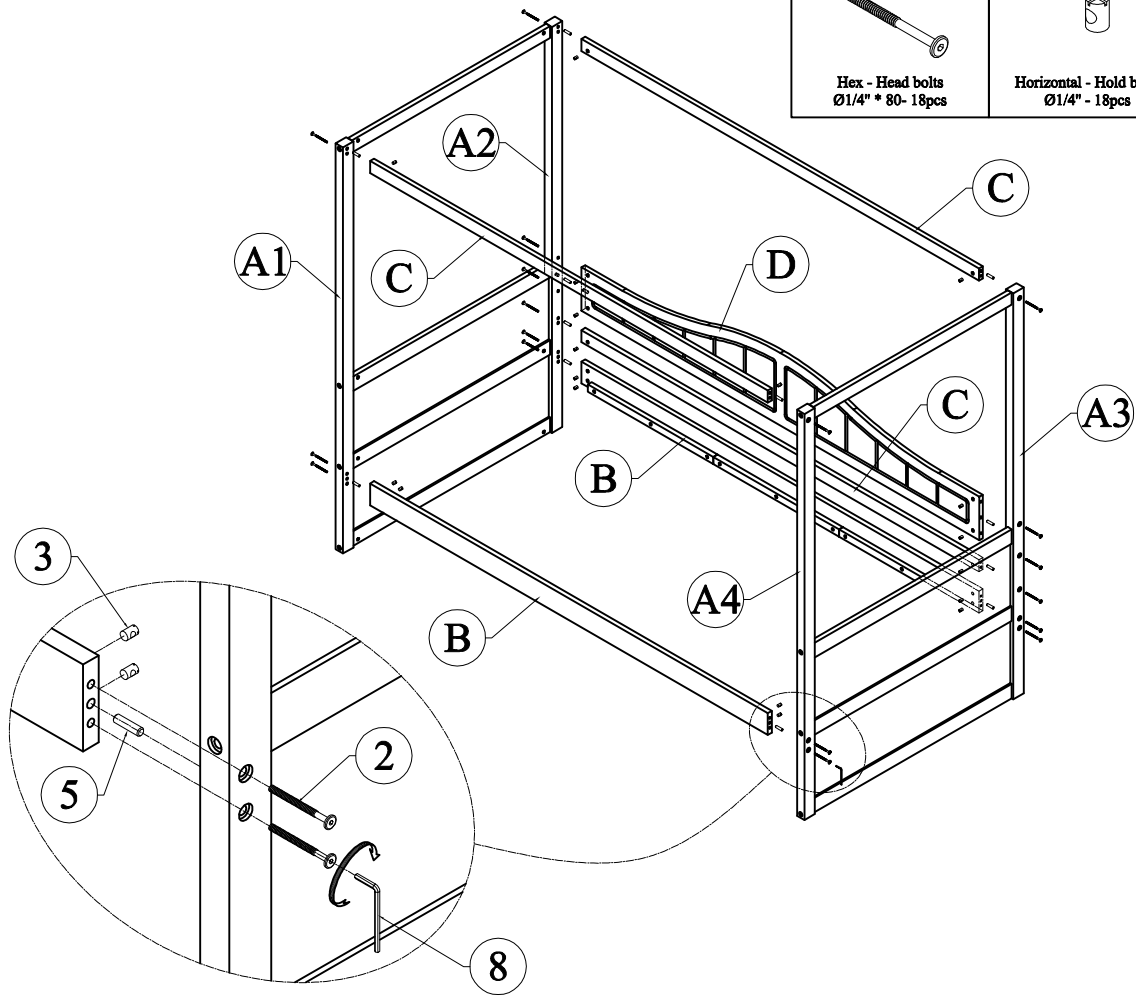


# STEP 4




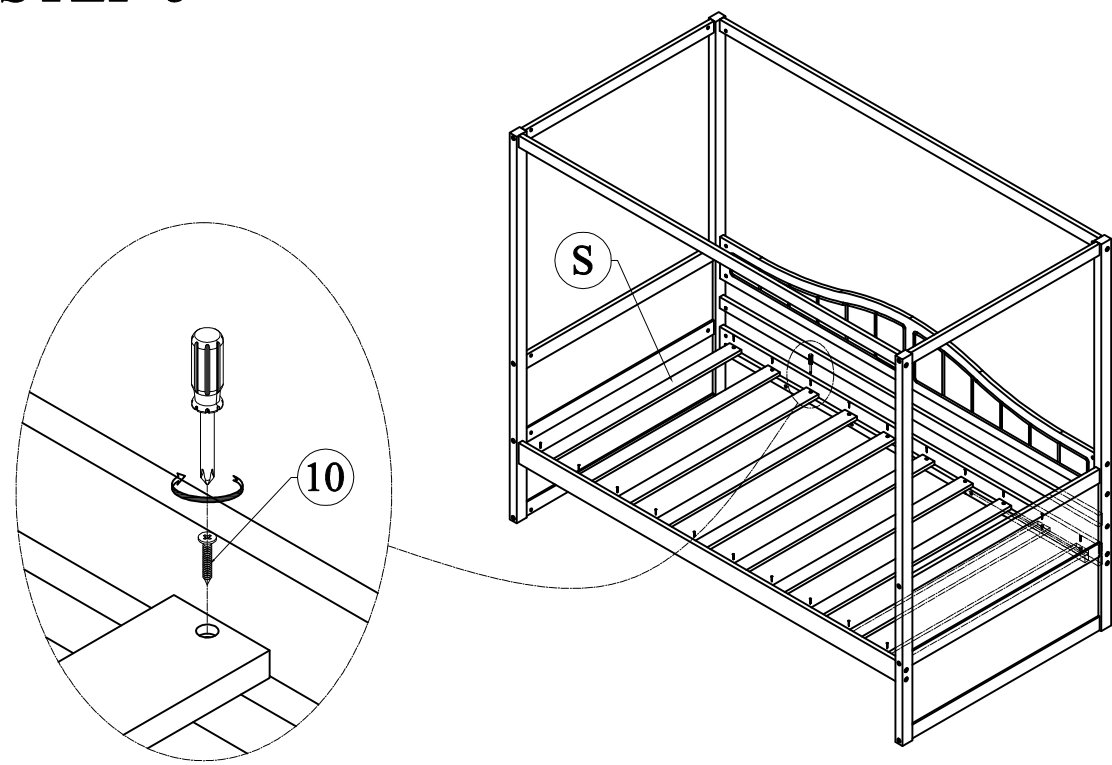
# STEP 5

- |   |   |  |
|---|---|--|
| <b>2</b><br><br>Hex - Head bolts<br>Ø1/4" * 80- 18pcs | <b>3</b><br><br>Horizontal - Hold bolts<br>Ø1/4" - 18pcs | <b>5</b><br><br>Wood dowel<br>Ø8 * 30 - 12pcs |
|---|---|--|



# STEP 6

- |  |
|--|
| <b>9</b><br><br>Wood crews<br>M4 * 25 - 20pcs |
|--|



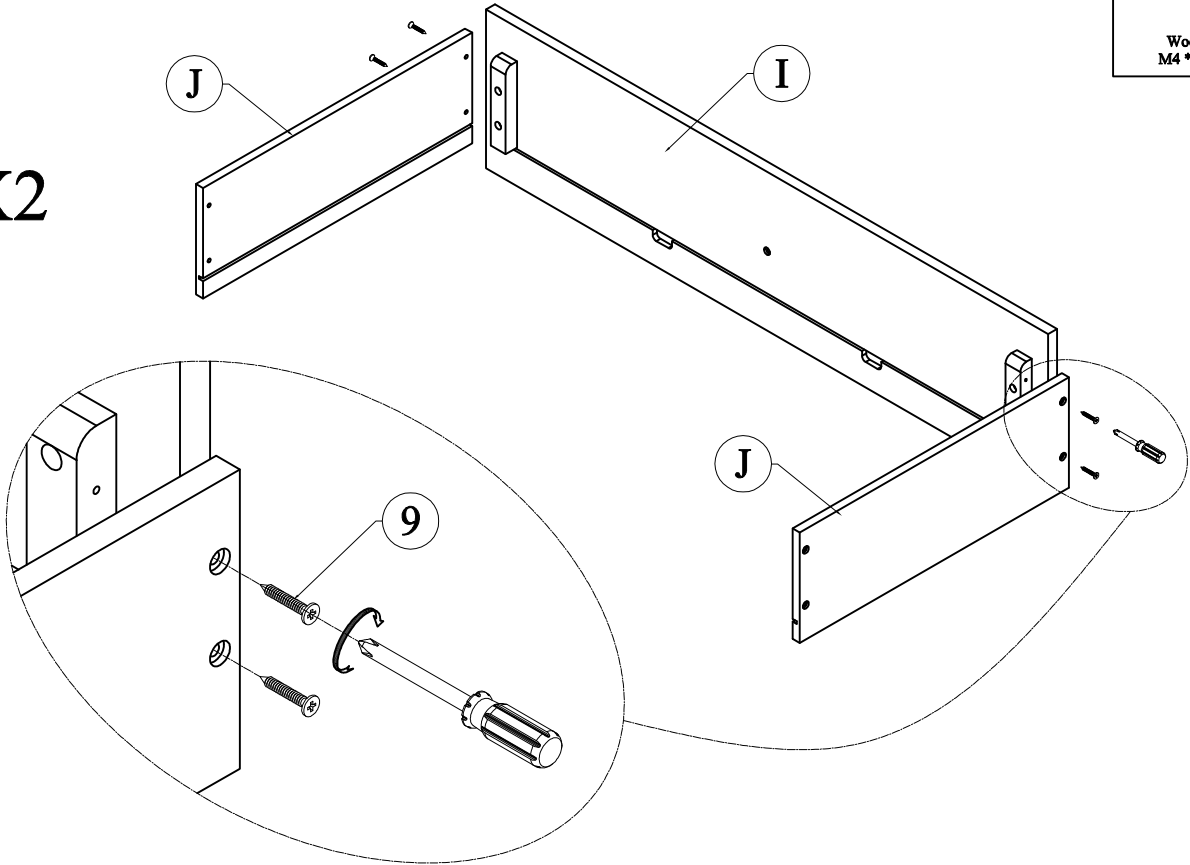
# STEP 7

9



Wood screws  
M4 \* 25 - 8pcs

X2



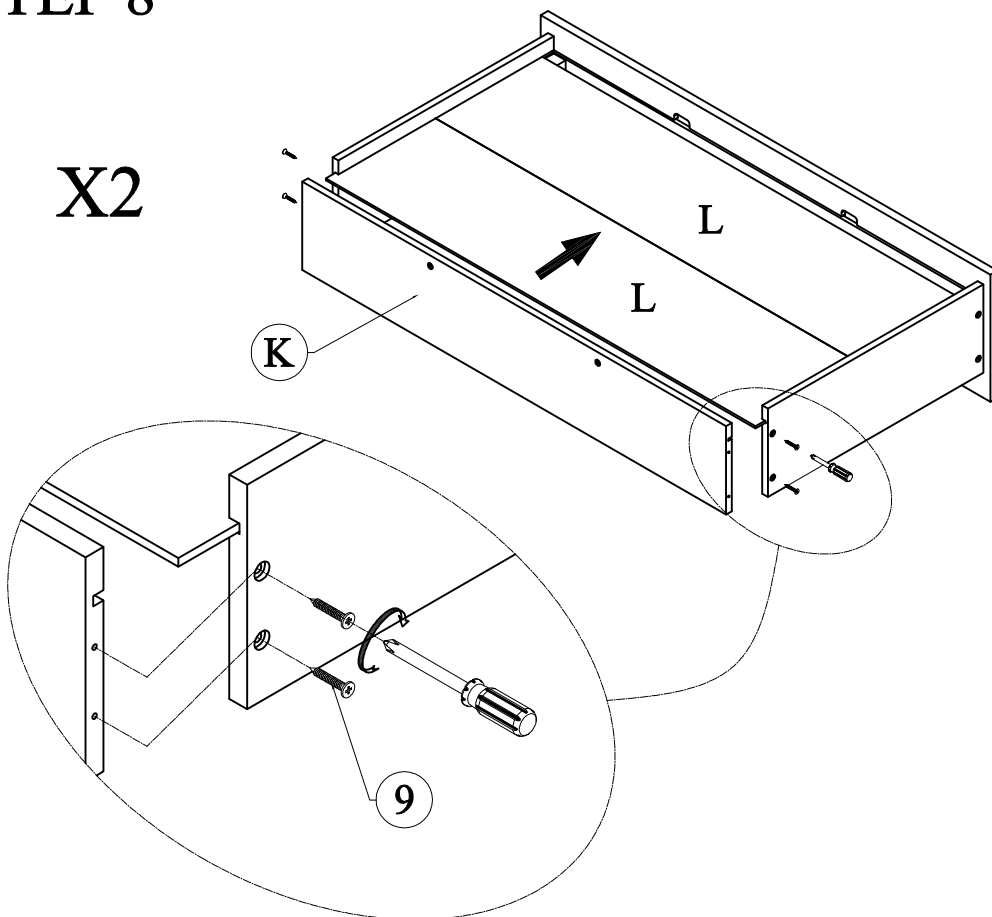
# STEP 8

9



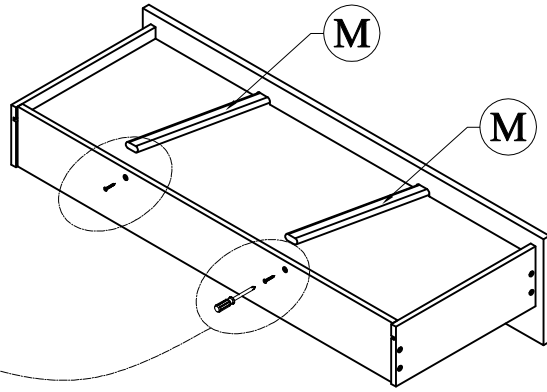
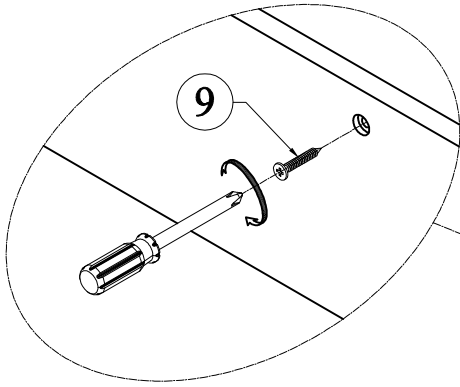
Wood screws  
M4 \* 25 - 8pcs

X2



# STEP 9

X2



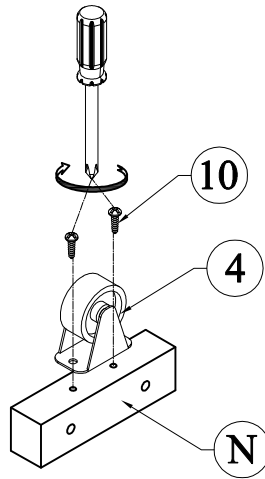
9



Wood crews  
M4 \* 25 - 4pcs

# STEP 10

X8



4



Wheel  
Ø8 \* 30 - 8pcs

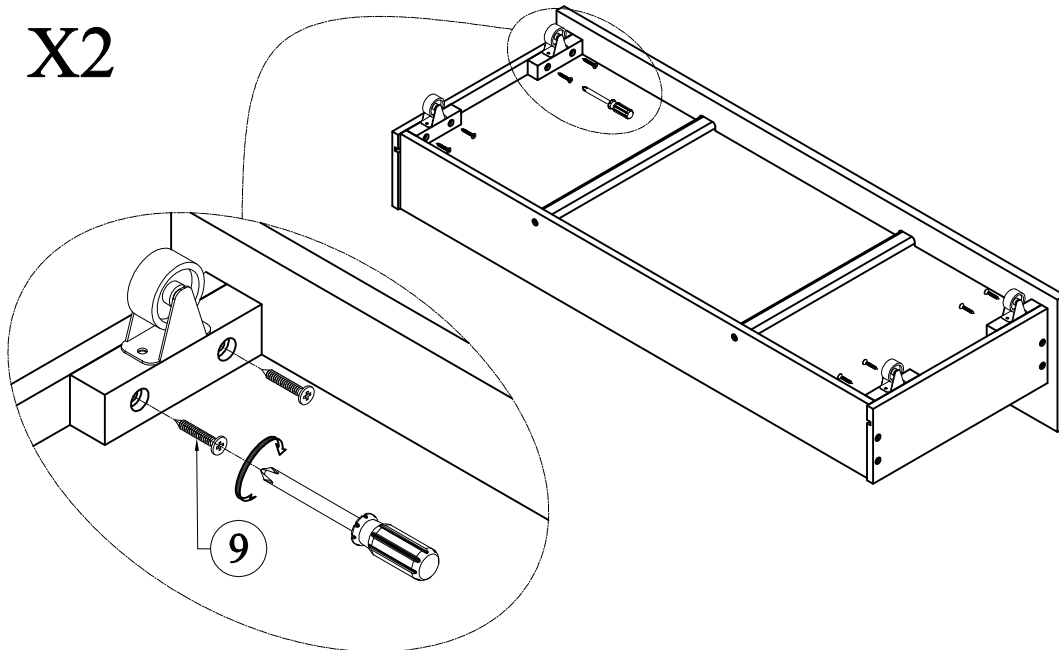
10



Wood crews  
M3.5 \* 15 - 16pcs

# STEP 11

X2



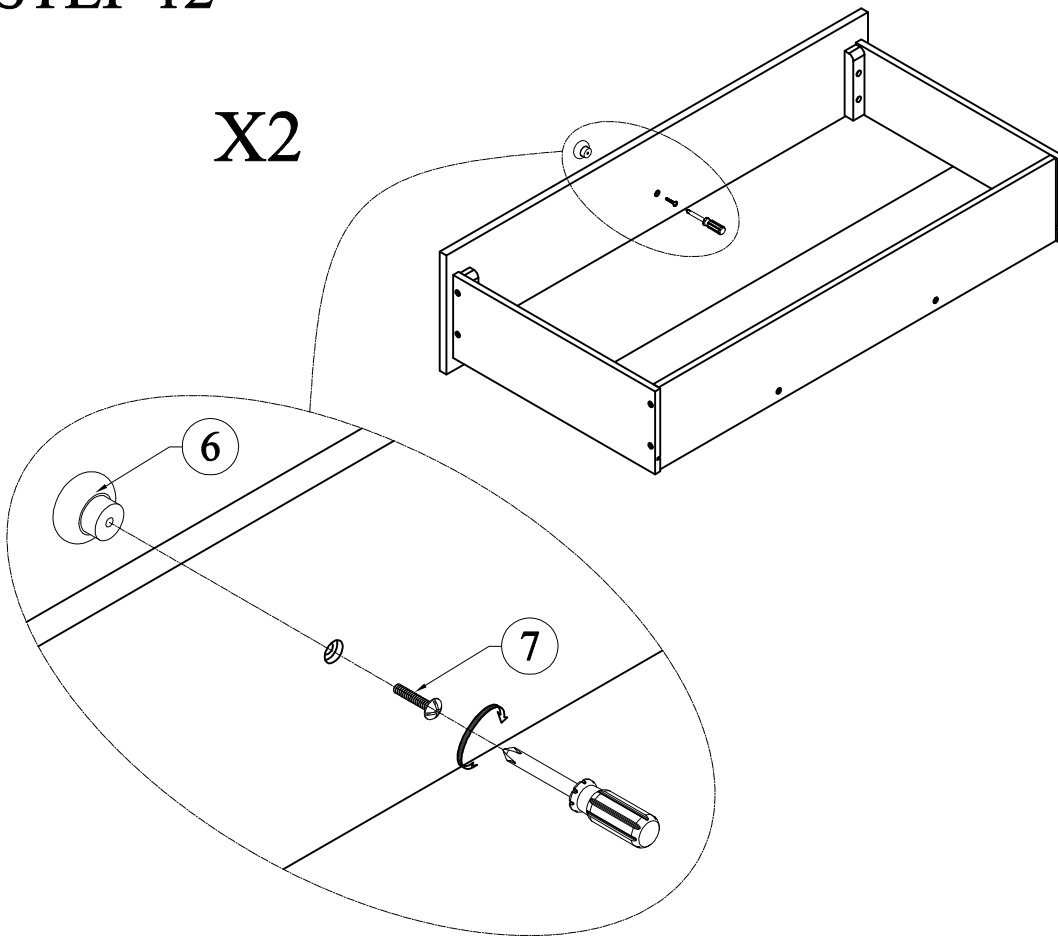
9



Wood crews  
M4 \* 25 - 16pcs

# STEP 12

X2



6



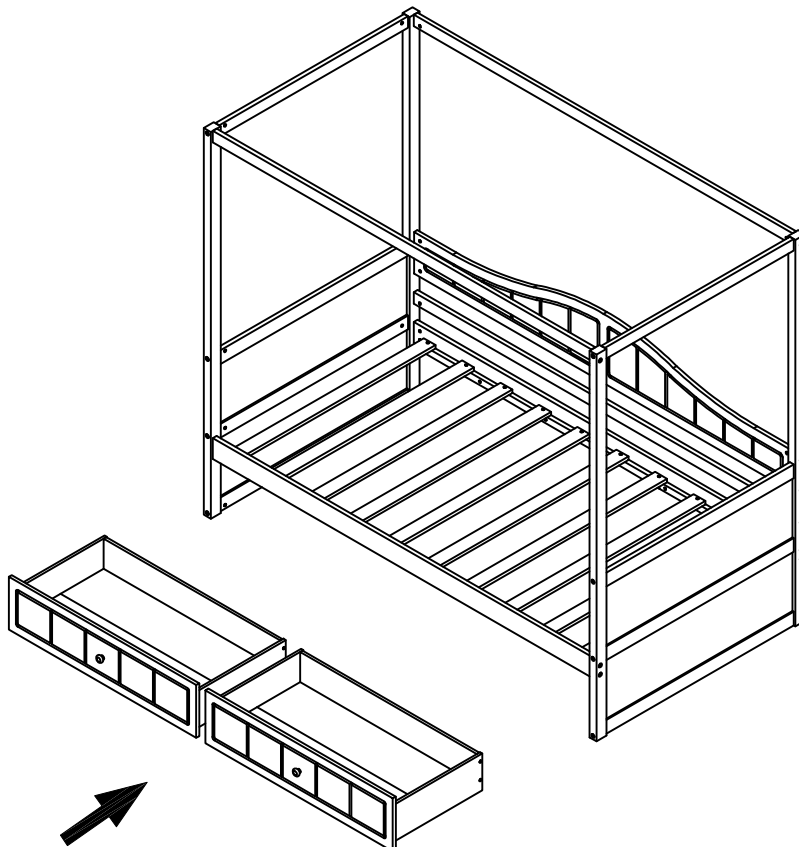
Handle - 2pcs

7



Round crews  
Ø5/32" \* 22 - 2pcs

# STEP 13



# COMPLETED

