



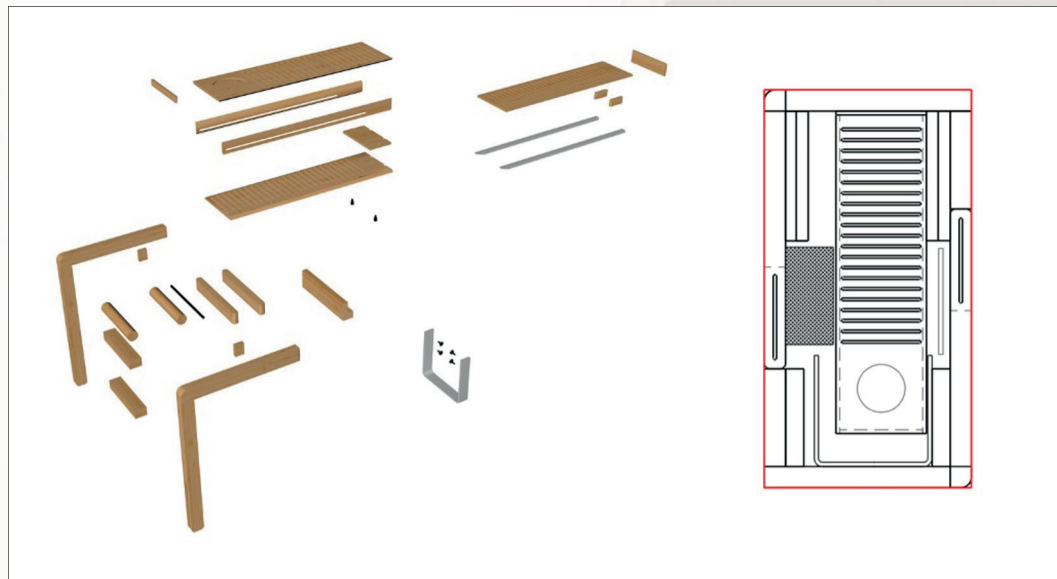
TUBLER

Your Bathtub Butler



Bathtubs, in particular stand-alone ones, offer little or no space to store loose items like towels, shampoo, books, glasses or tablets. Hence a stool is required to keep all those items close to the bathtub, or they need to be placed on the floor.

TUBLER addresses that with storage possibilities for everything required close to or inside a bathtub.



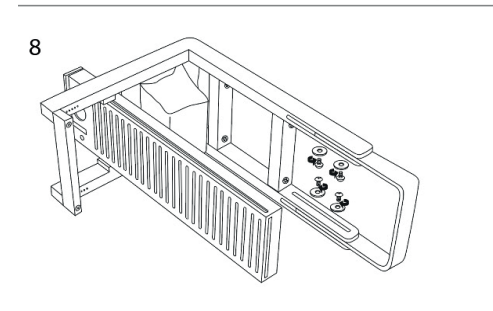
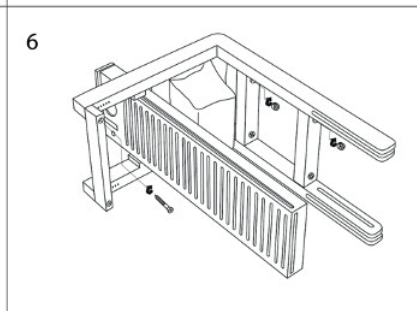
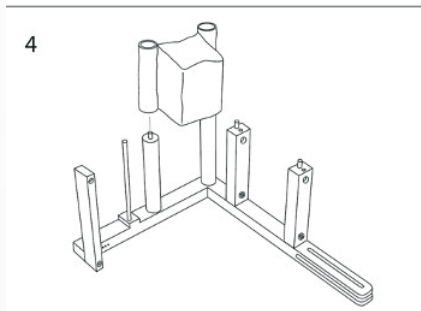
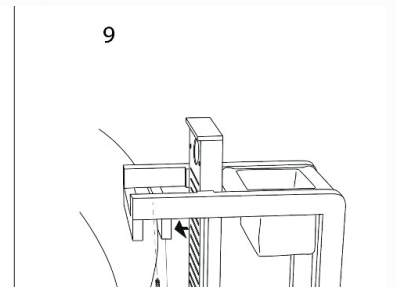
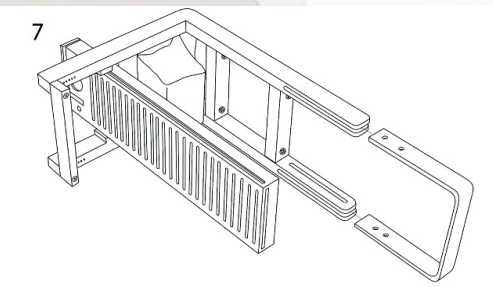
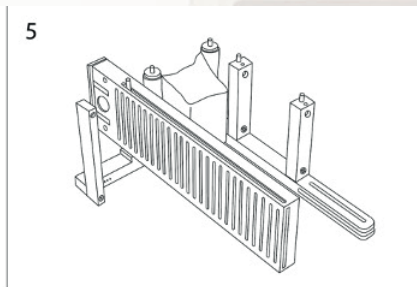
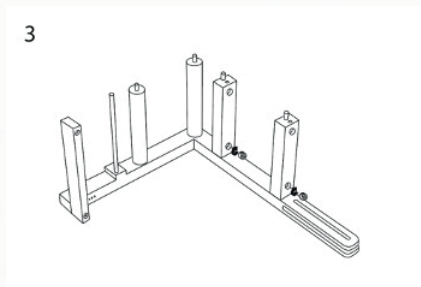
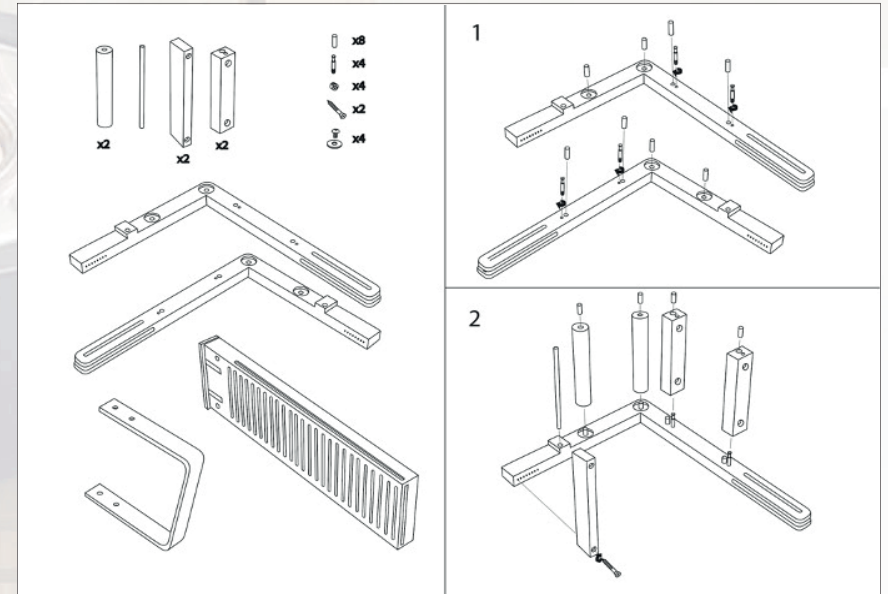
TUBLER comes in a flat ergonomic package sized 75x38x5cm and is assembled by the customer.

We focused on an easy assembling scheme that requires no tools other than an allen key and a screwdriver.

Both assembly and installation are straight forward and done within minutes.

The cotton pouch can be taken out by unfastening 4 screws, should cleaning be required.

We decided against a velcro or button fixation since heavy items stored in the pouch proved to loosen the fixation with the potential hazard of items hitting the bathroom floor.



TUBLER is manufactured mainly from eco-friendly bamboo, cotton and stainless steel and is fully recyclable.



TUBLER comprises of two parts:
The trestle with the pouch and the table.

The table is easily operated by simply lifting it all the way up and flipping it to a horizontal position.

The table can also be extended so it rests safely on both edges of the bathtub to carry heavier items.

The extension spans a distance sufficient for most bathtubs on the market.



When not in use or during cleaning of the bathtub TUBLER can rest at a wall with or without an adapter.

The table is designed to be both stable and lightweight. Louvers allow water to drain both in its horizontal and vertical position.

Integrated linear friction bearings made from POM allow to smoothly slide and therefore extend the telescopic table. All materials are optimized for the warm and humid environment of the bathroom.

