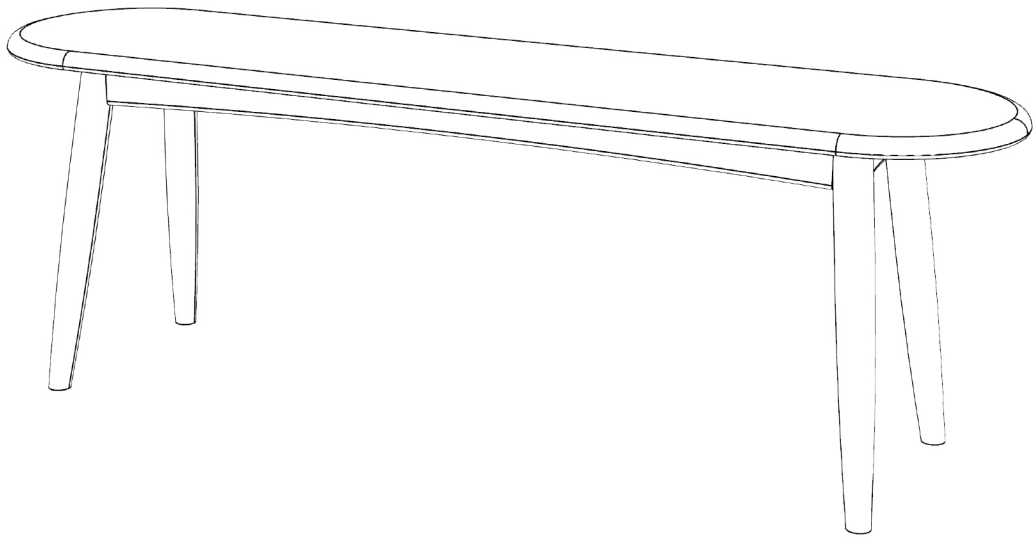
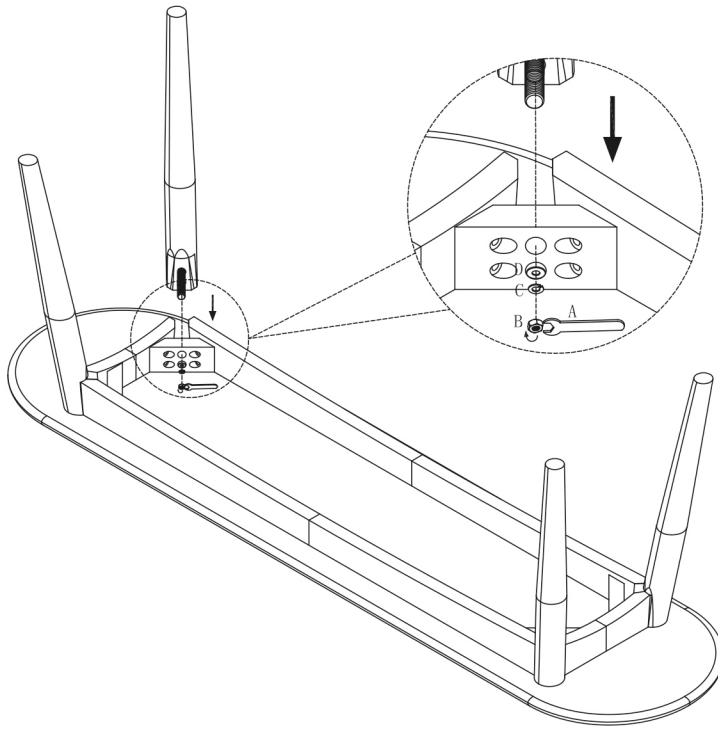


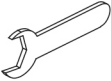



Slant leg bench
H83T76

Assembly Instructions



Step : Lay the bench top facedown on a flat, clean and non-abrasive surface. Attach the legs to the bench top as shown in the diagram below. Make sure you fit the hardware together in the correct order.



			
A. Open-end wrench x 1	B. Nuts (Ø6) x 8	C. Split washers (Ø6) x 8	D. Flat washers (Ø6) x 8