



Armless Office Desk Chair

User Manual

Ax1



Bx1



Cx1



Dx1



Ex1



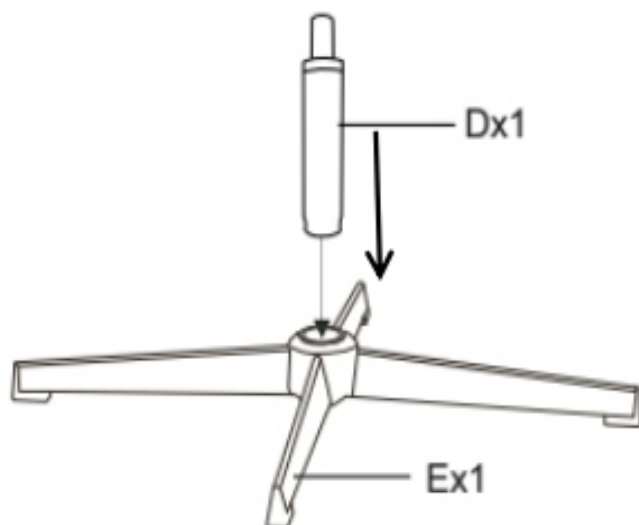
Fx8  
M6x25mm



Gx1

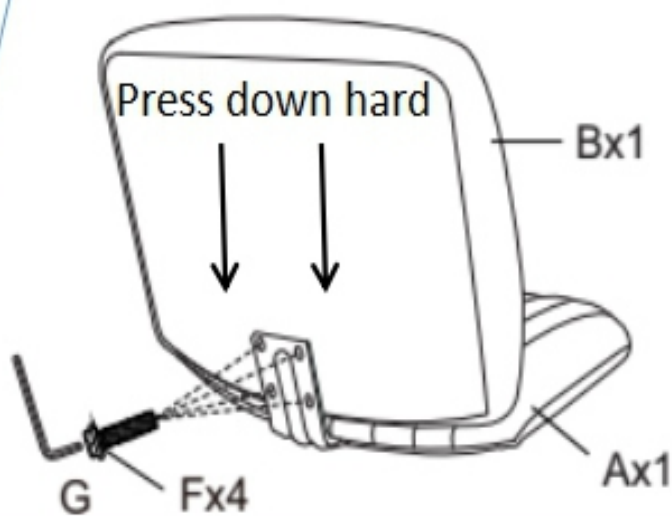


step 1



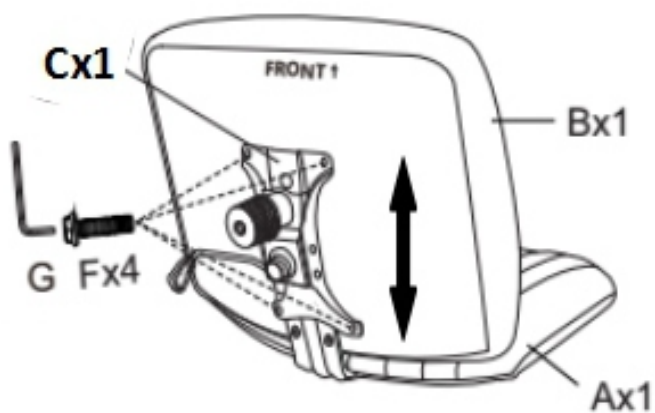
step 2

First lay a clean plastic film on the level floor

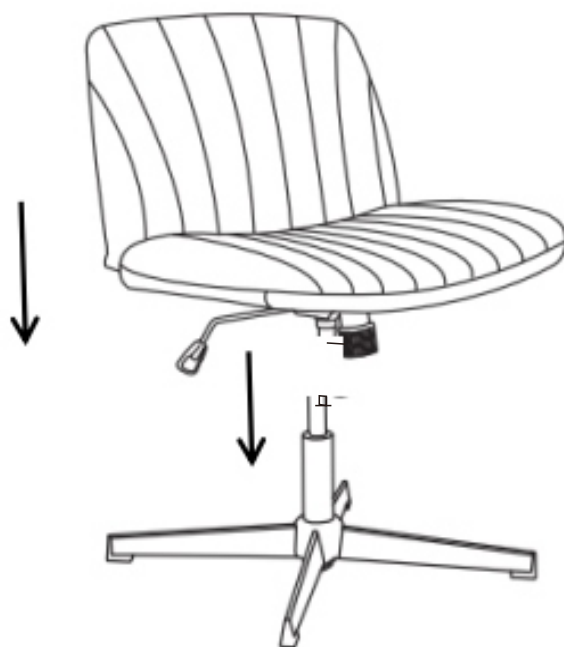


step 3

Pay attention to the installation  
direction of number C



step 4



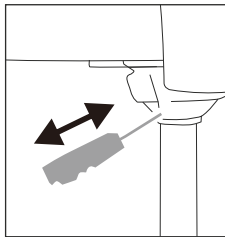
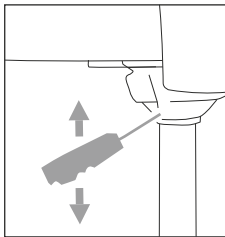
# Height Adjustment and Tilt-lock



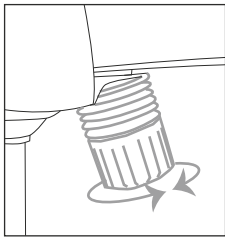
UP



DOWN



**Push in-Lock  
Pull out-Open**



**Adjust  
Tilt Tension**