

# INSTALLATION INSTRUCTIONS

THANK YOU FOR CHOOSING OUR PRODUCTS !

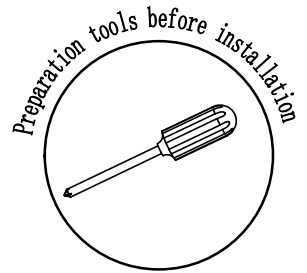
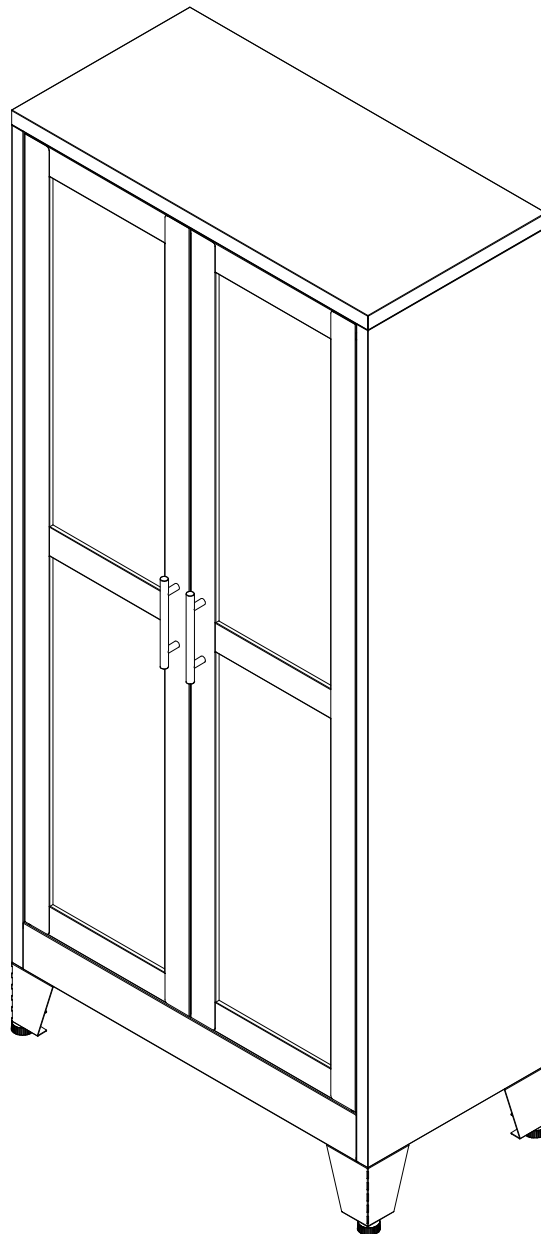
## Before Assembly:

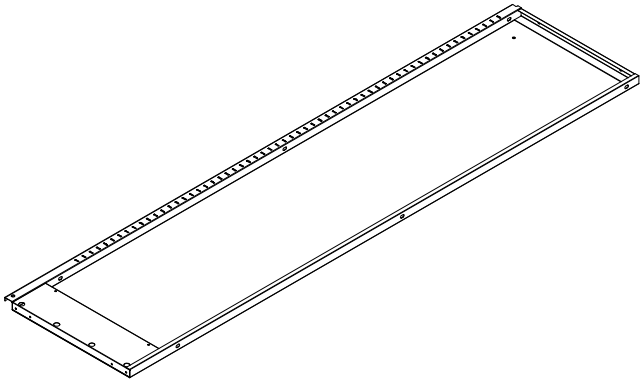
1. Please confirm the completeness of the components and the parts according to the Parts Diagram. If you have any question, Please contact with us and our Professional Customer Service Team will approve all you need within 24 hours.
2. It's not too difficult to assemble, But it will be easier if there is another one assemble it with you.

## During Assemble:

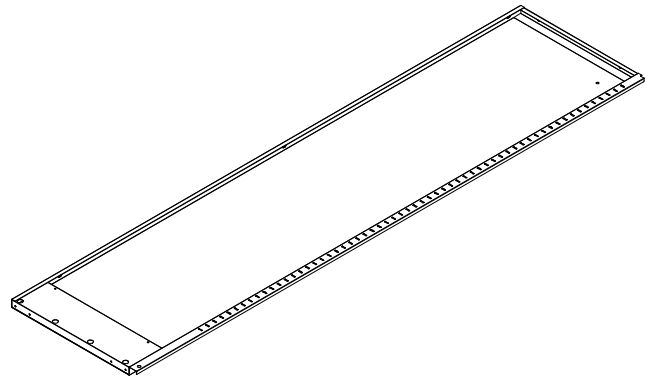
1. Please pay attention that some components may be a little sharp, Take care.
2. During assembly, please fix the screws temporarily and tighten them at last.

Tips: You can also check videos of installation

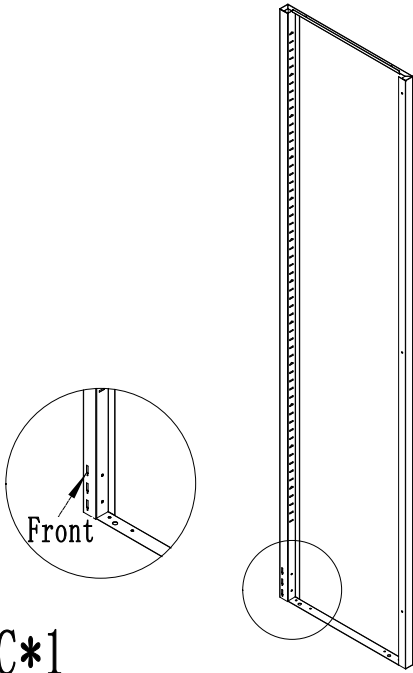




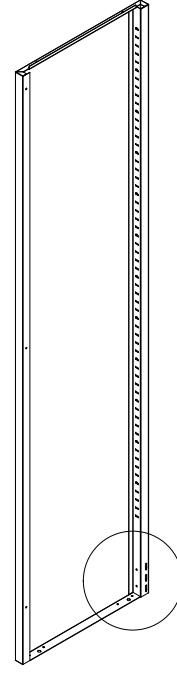
A\*1



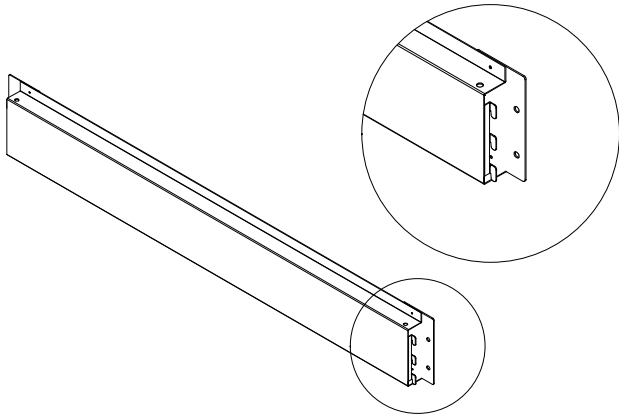
B\*1



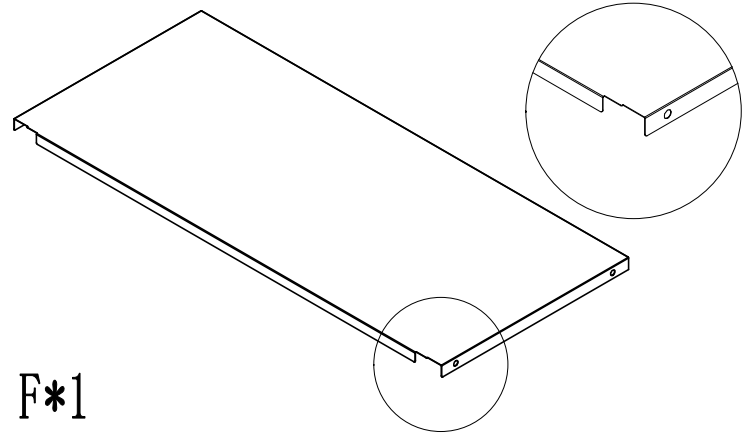
C\*1



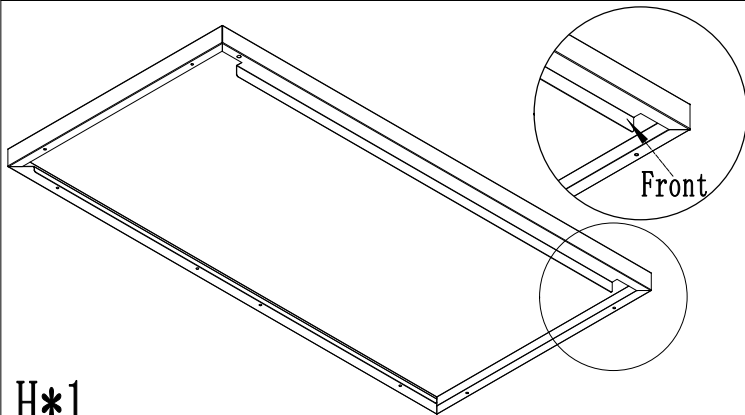
D\*1



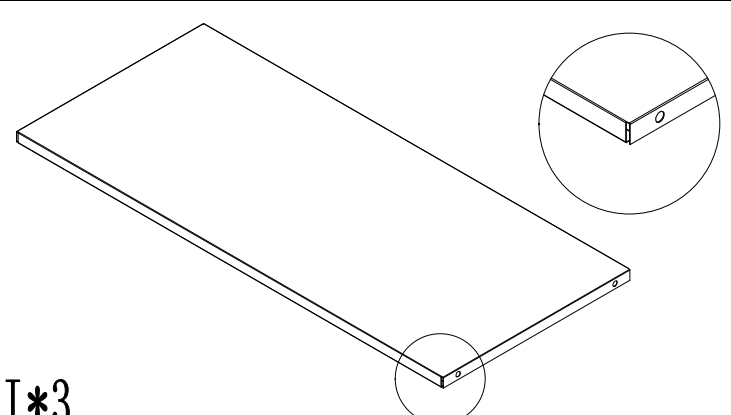
E\*1



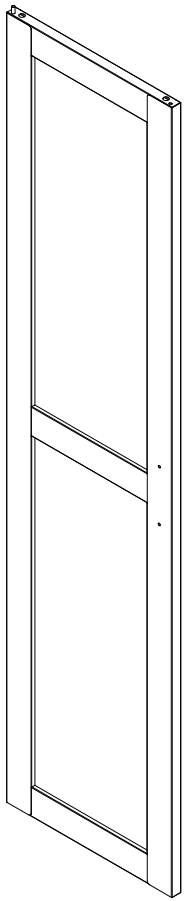
F\*1



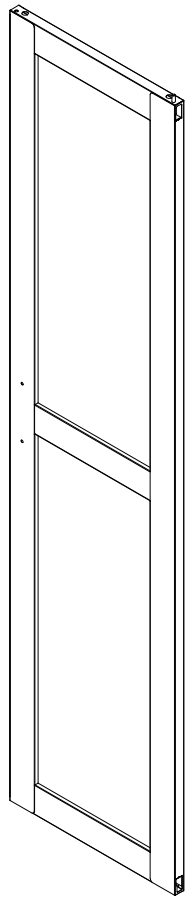
H\*1



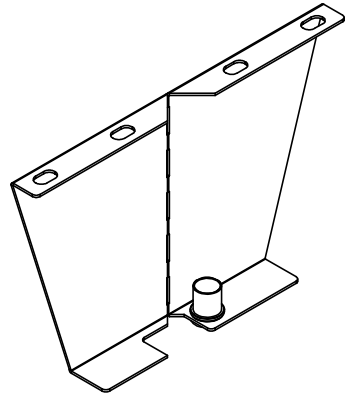
I\*3



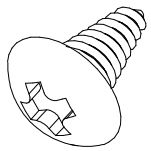
K\*1



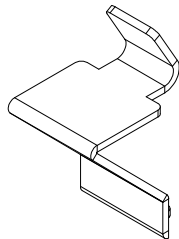
J\*1



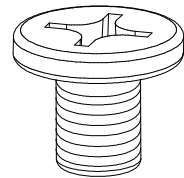
G\*4



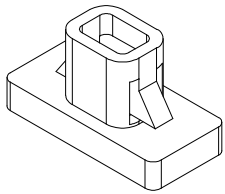
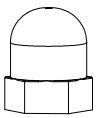
N\*28



O\*12



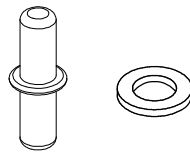
L\*3



Q\*4



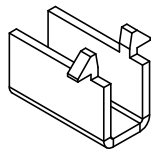
R\*8



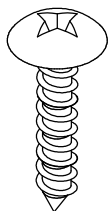
S\*2



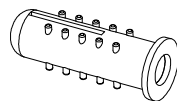
U\*4



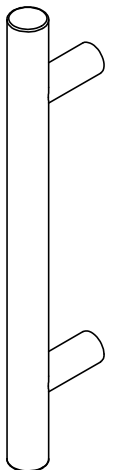
V\*12

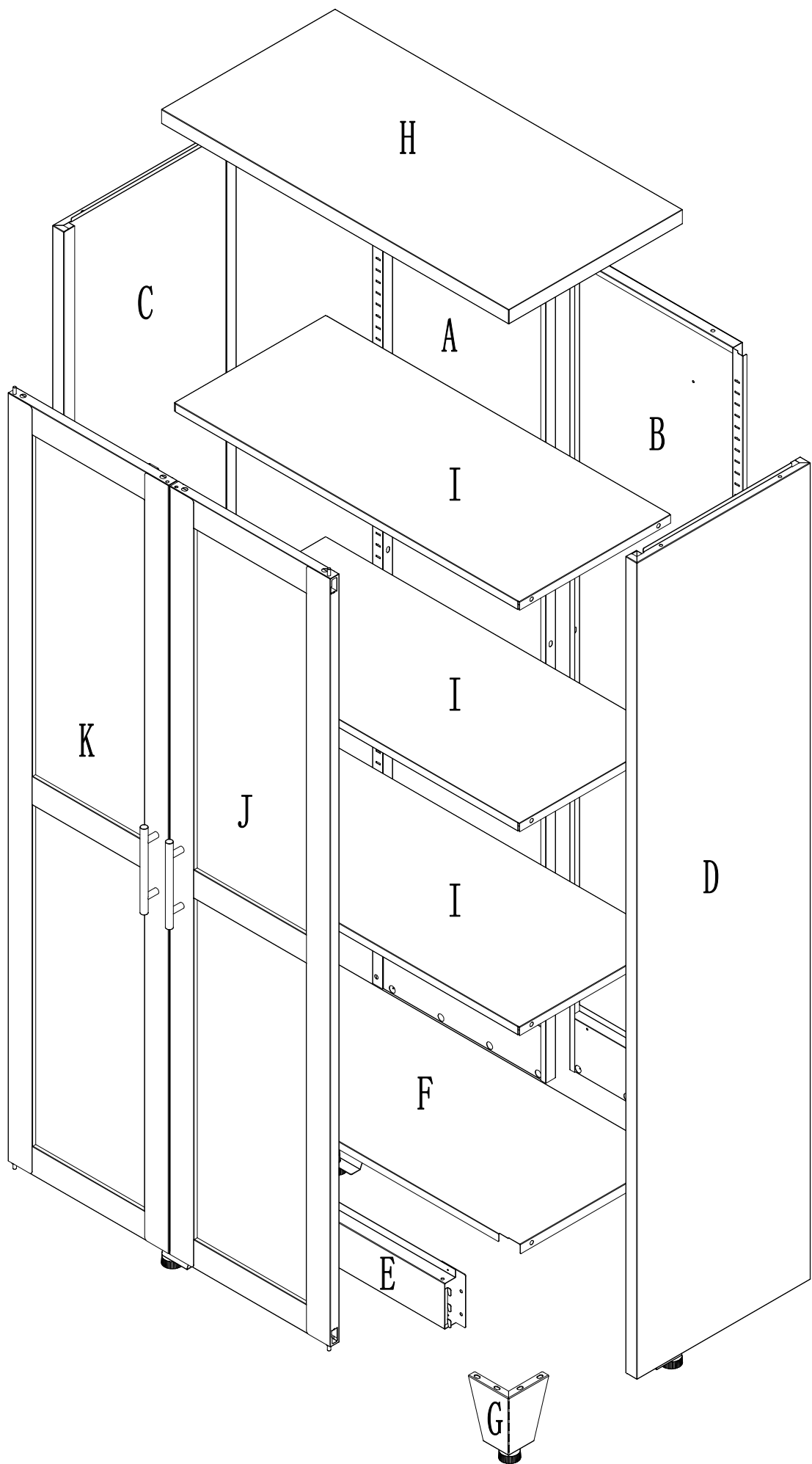


W\*2



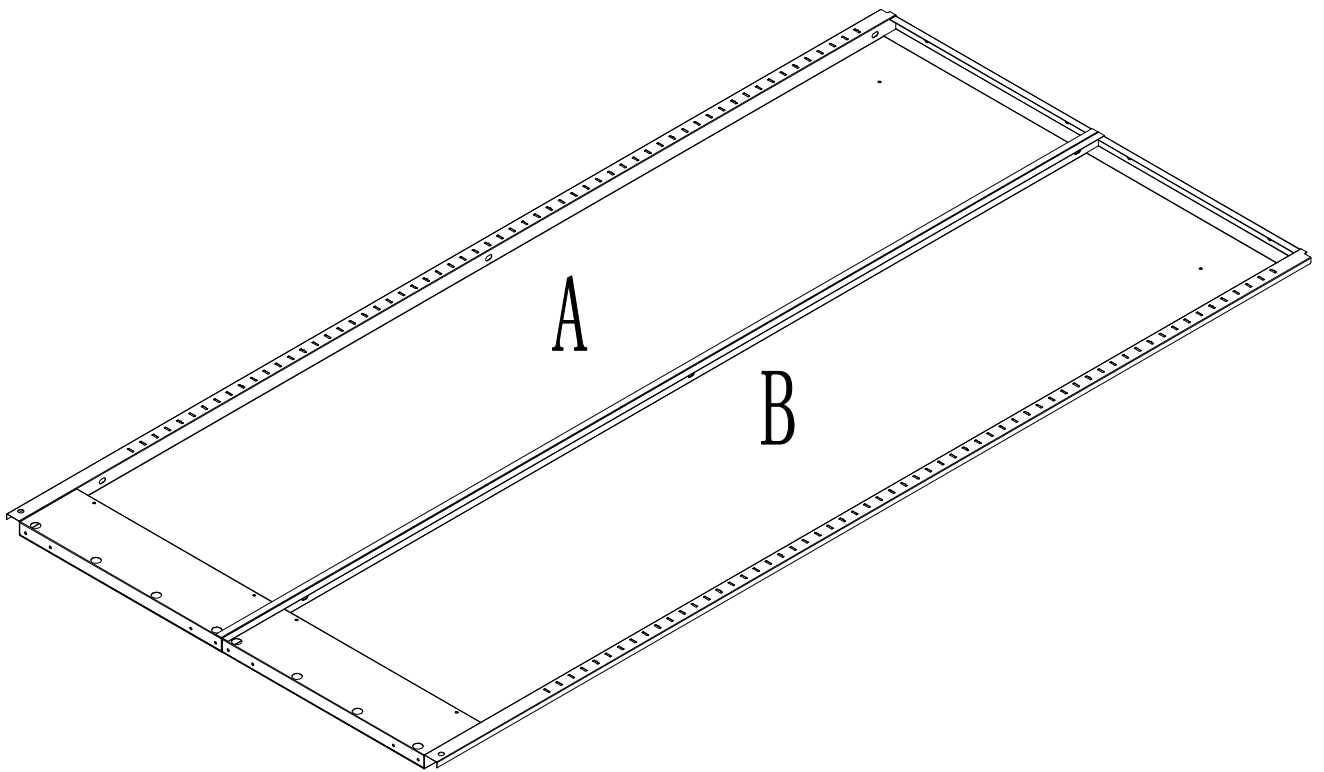
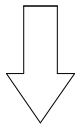
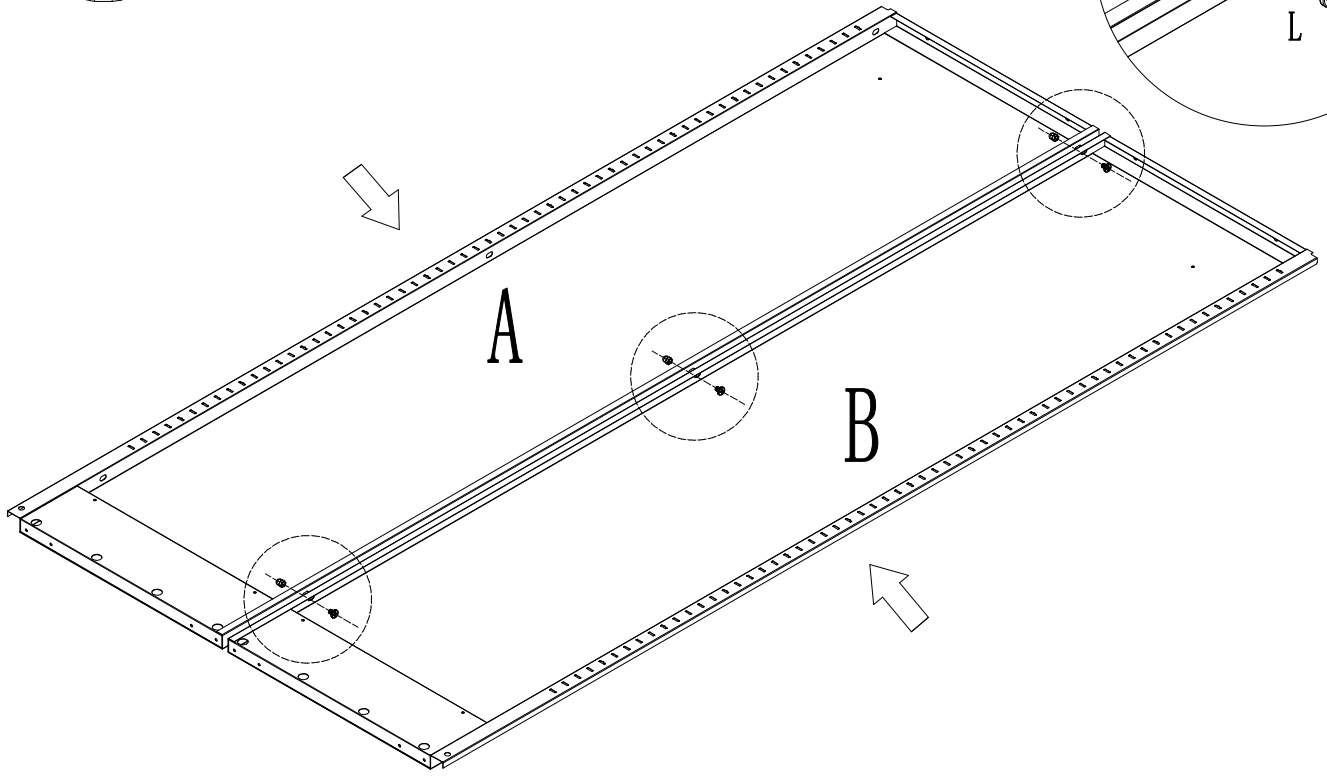
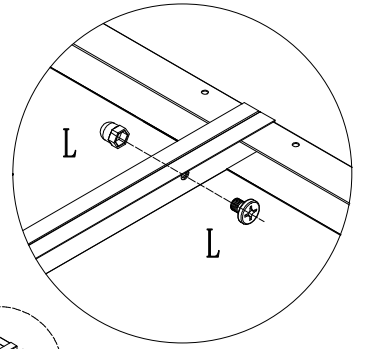
T\*2





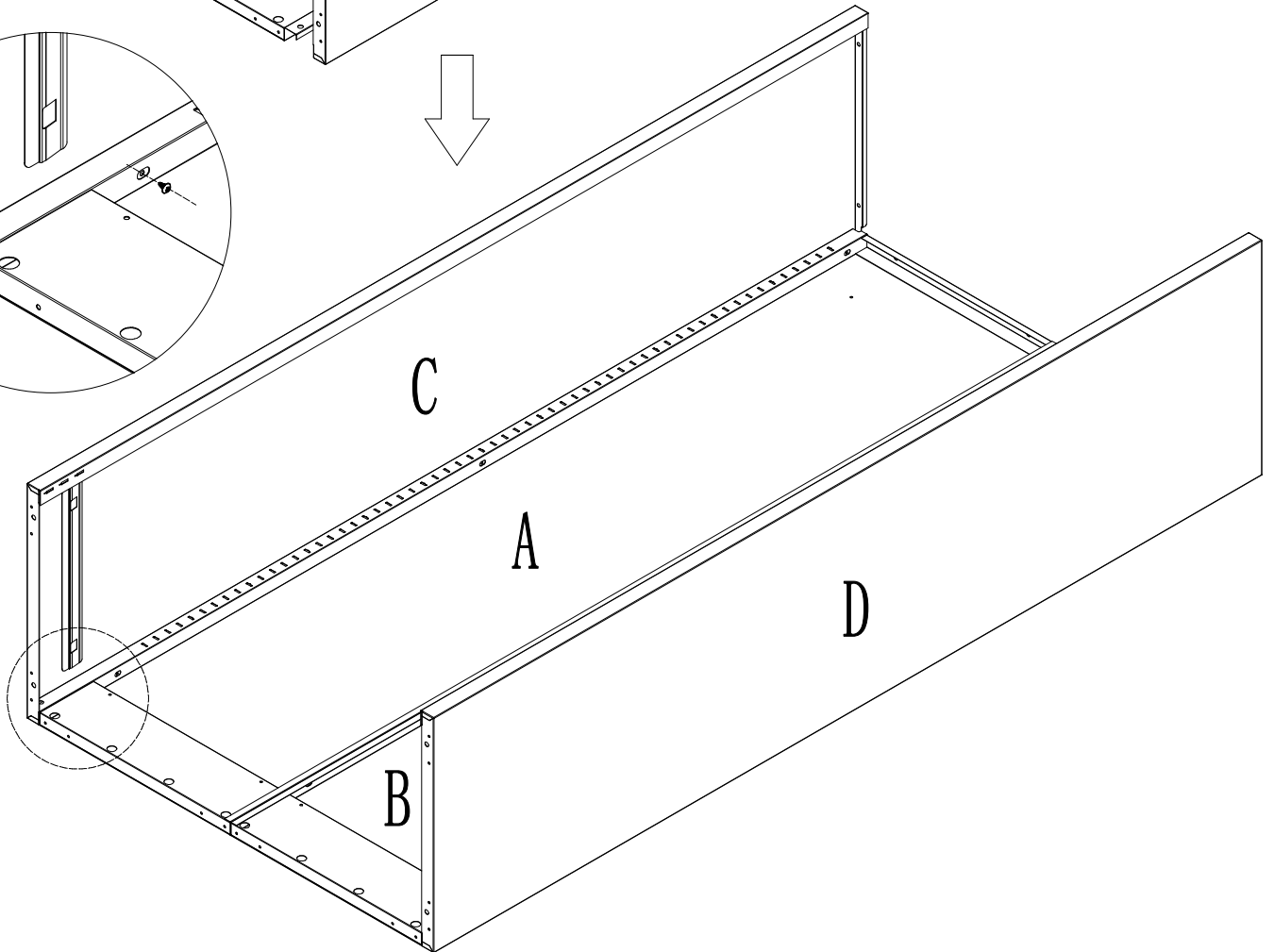
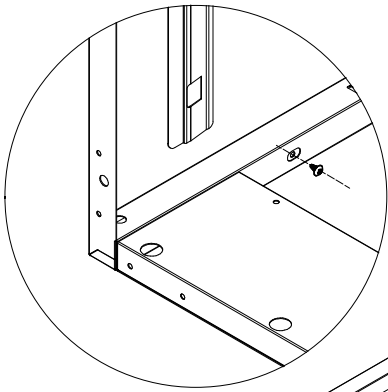
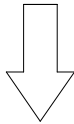
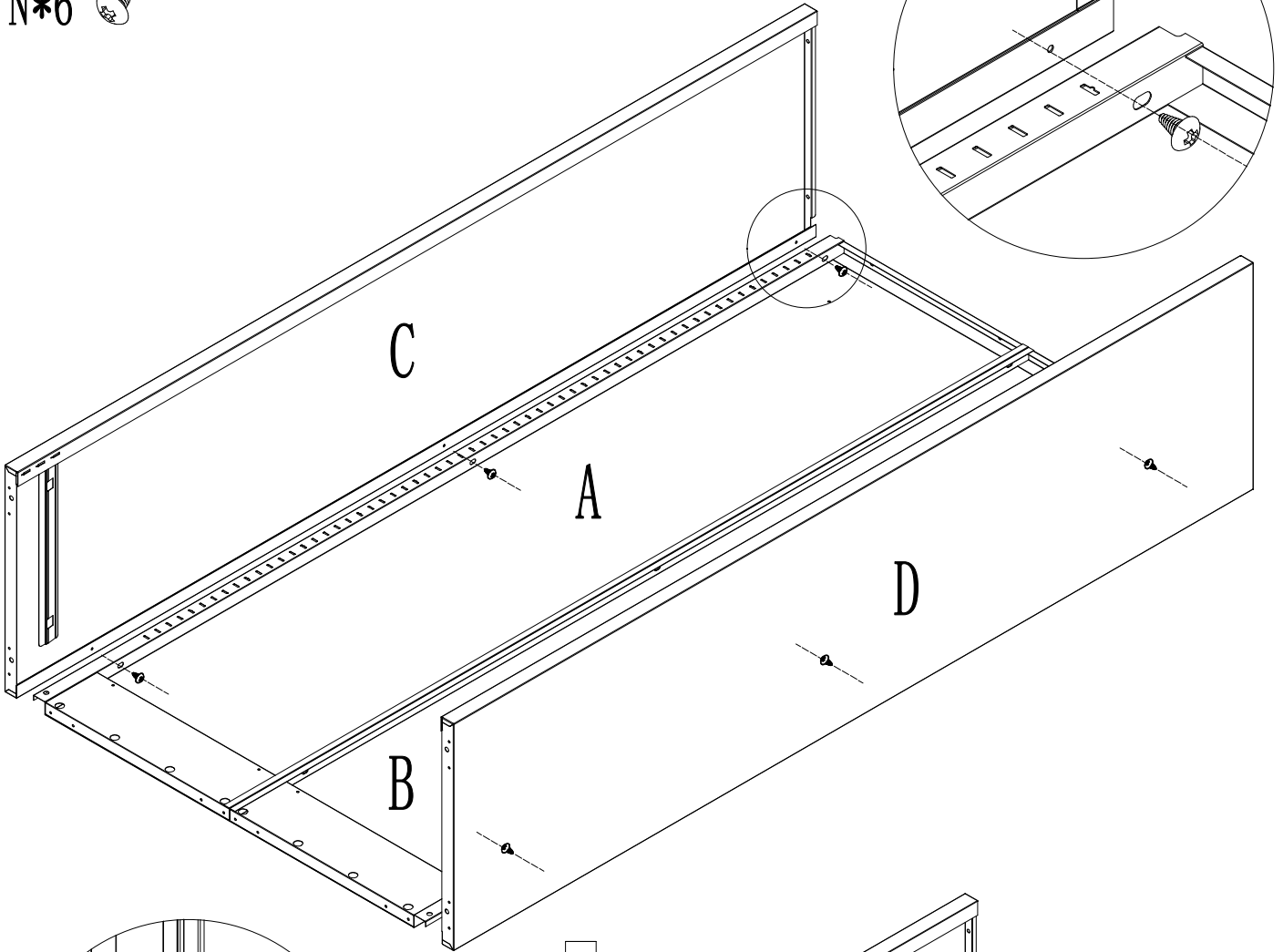
1

L\*3



2

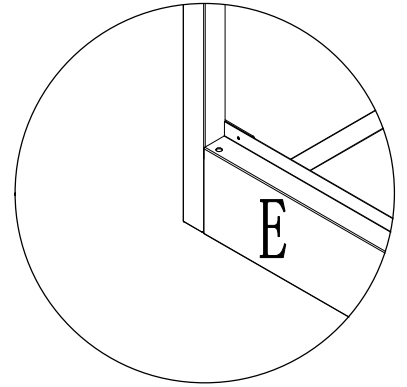
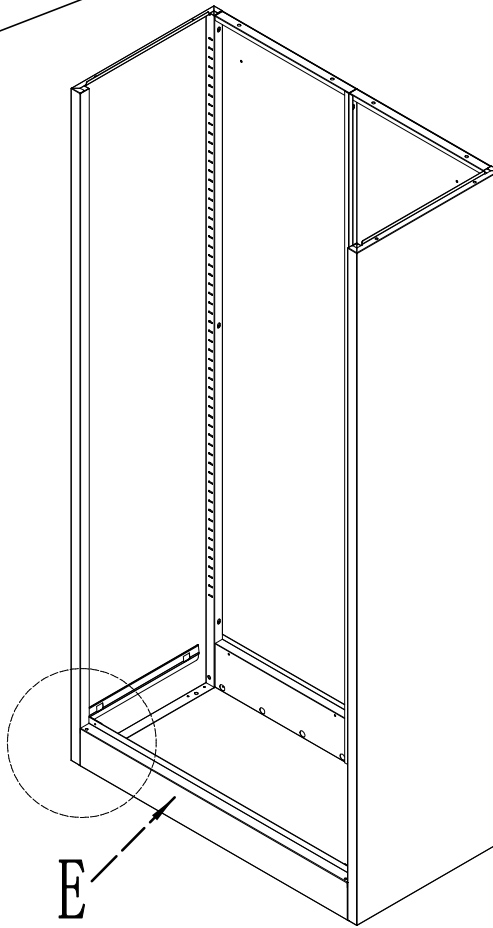
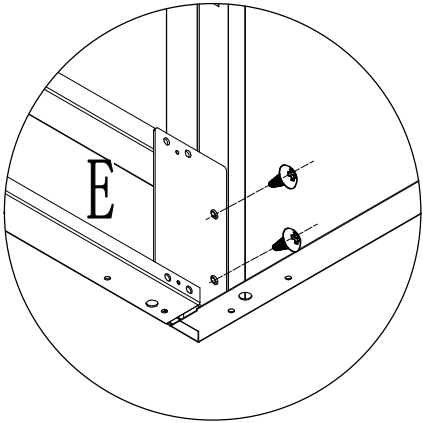
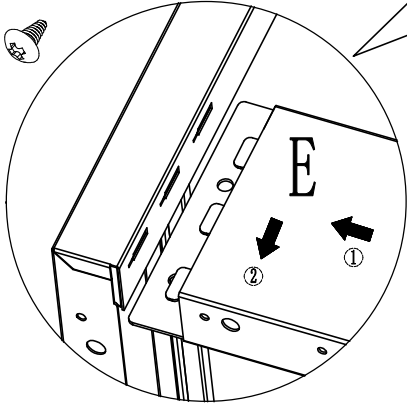
N\*6 



3

Snap the three buckles on either side of Part E into the three holes in both side panels and then push it down so that it snaps into the bottom of the cabinet.

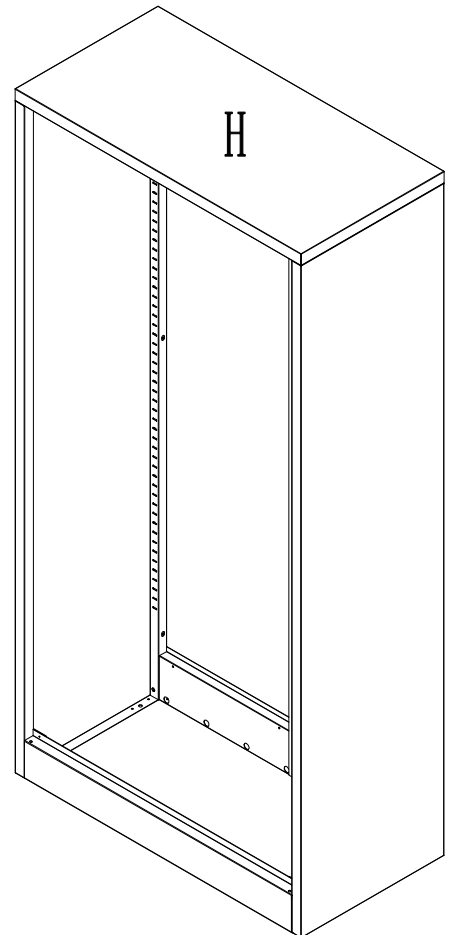
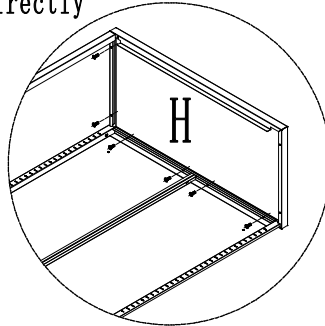
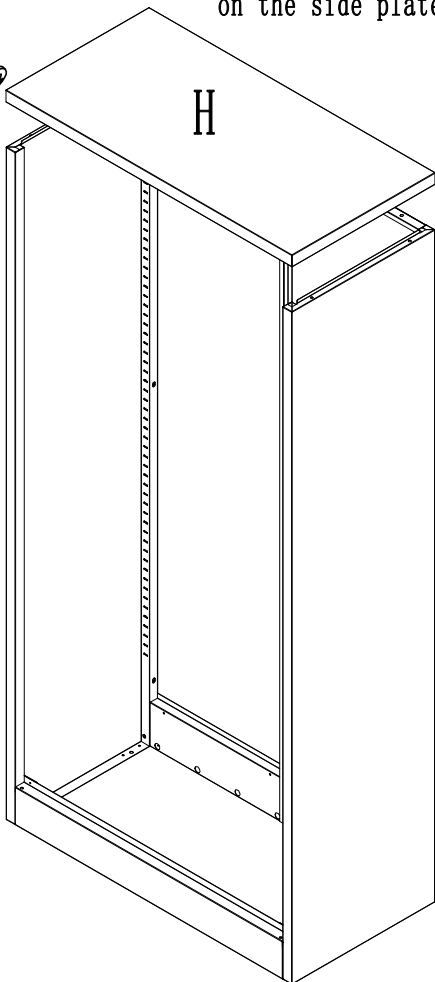
N\*4




4

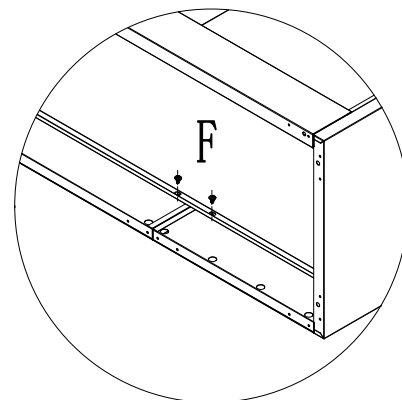
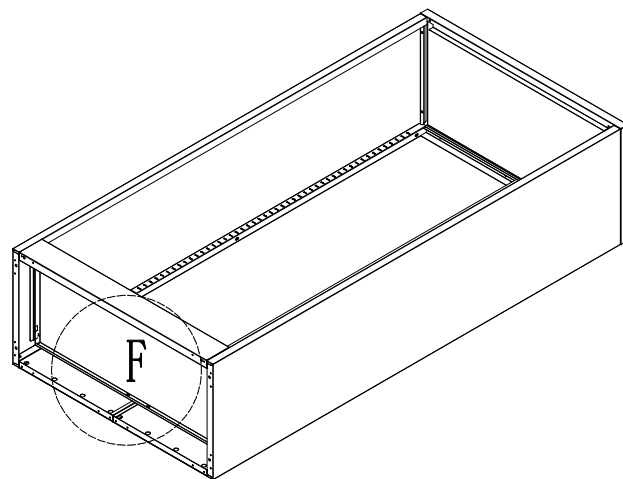
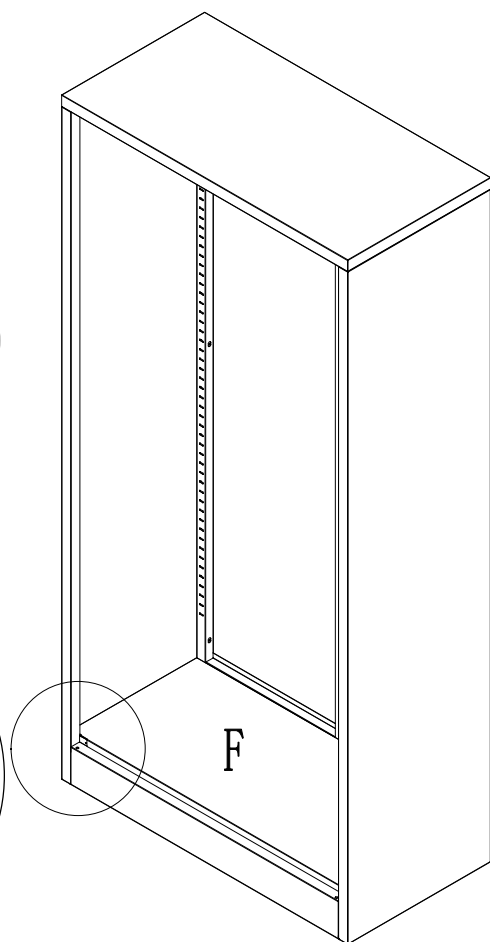
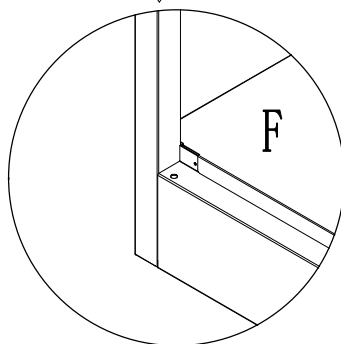
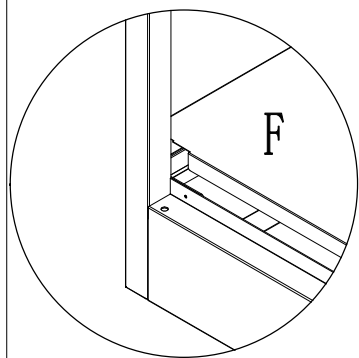
The top plate falls directly on the side plate.

R\*8




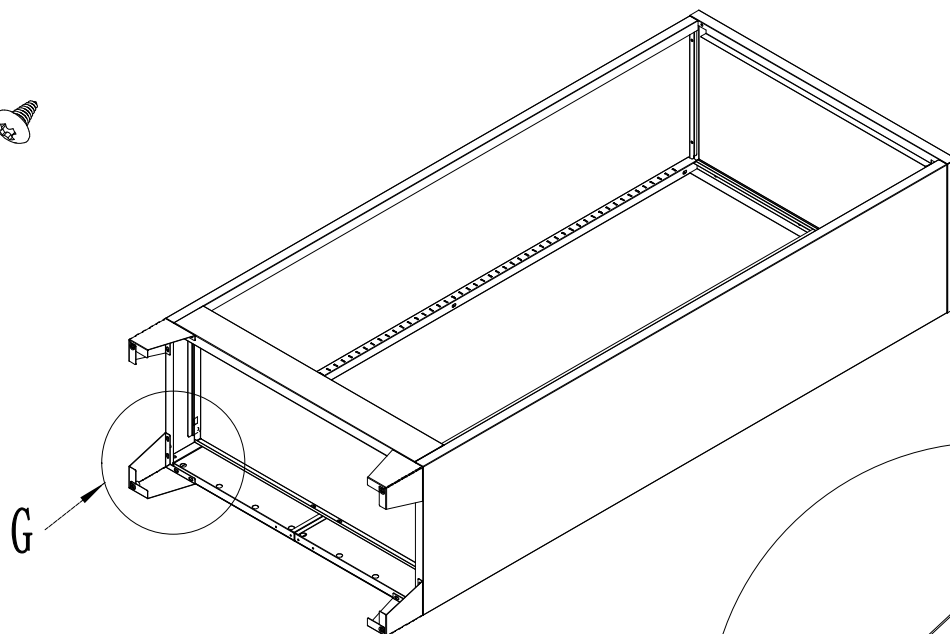
5

N\*2 

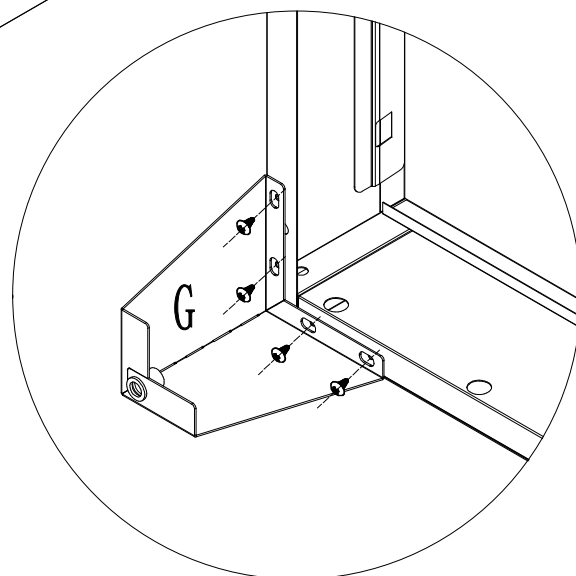
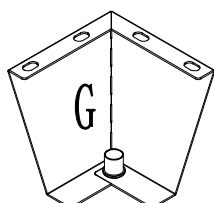
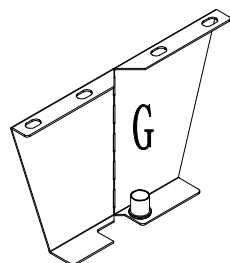


6

N\*16 

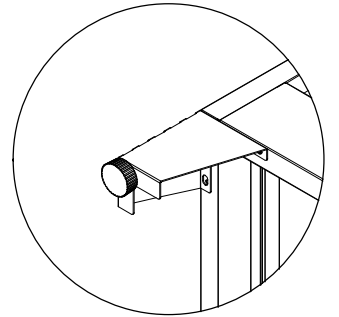
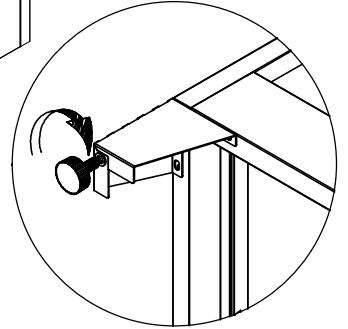
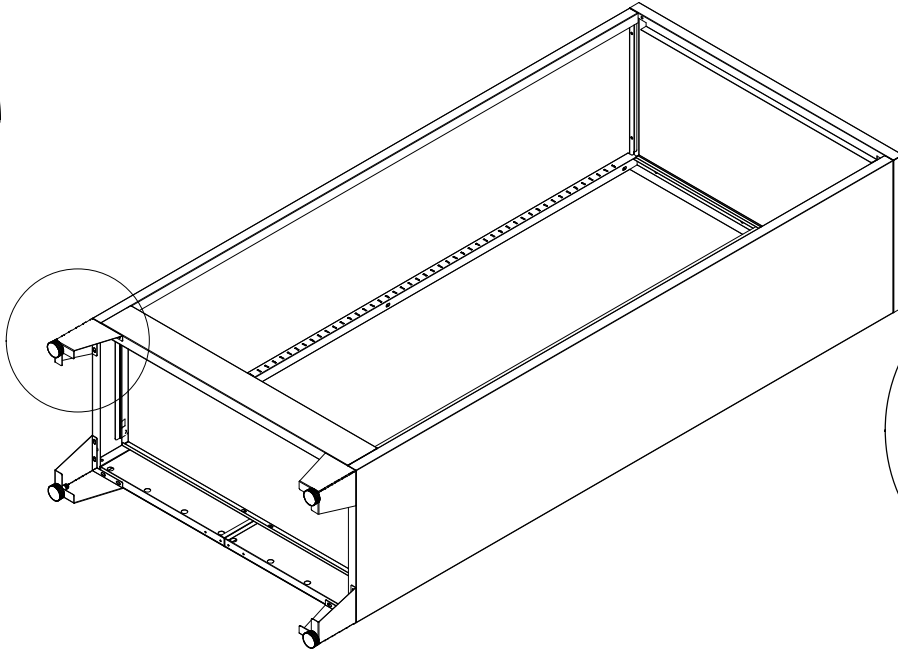
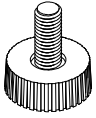


If you think it looks better without the standing corner, you can choose to skip this step (6) and the next step (7)



7

G\*4

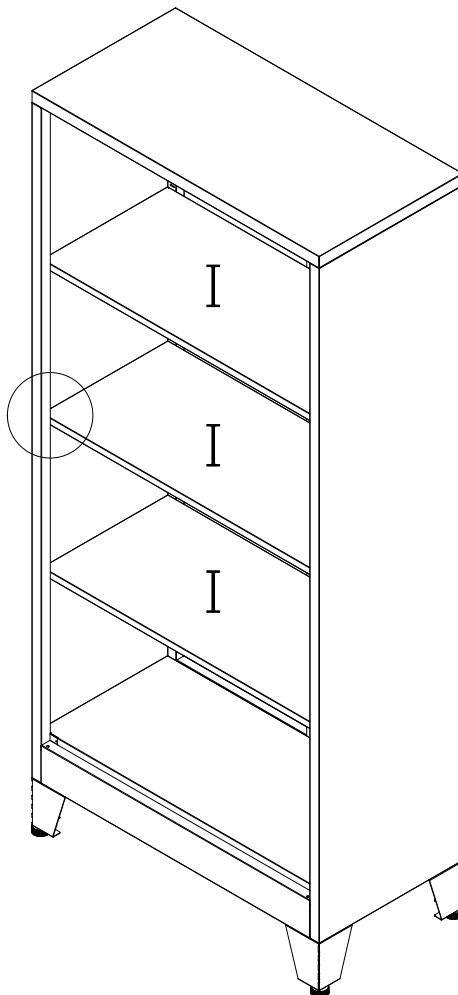
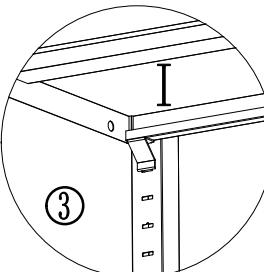
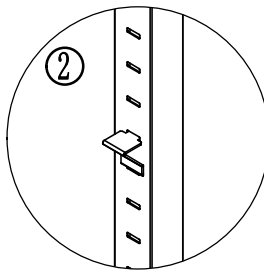
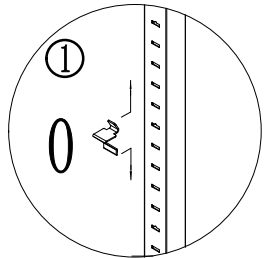


8

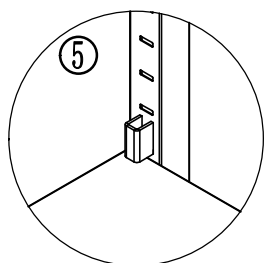
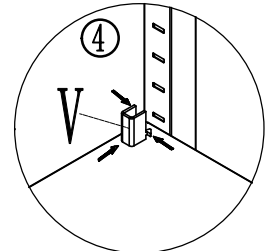
O\*12



V\*12

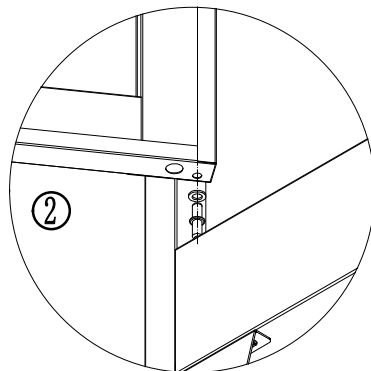
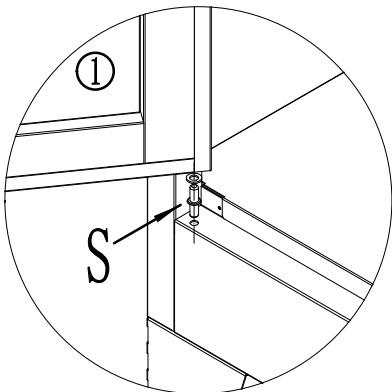
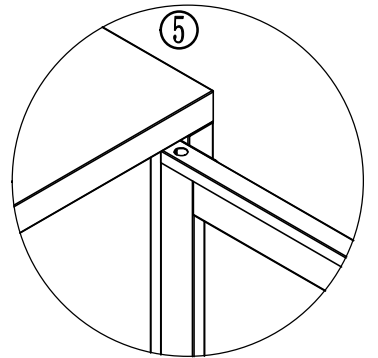
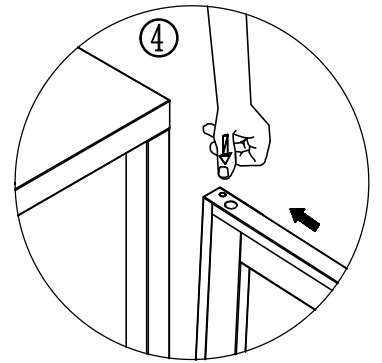
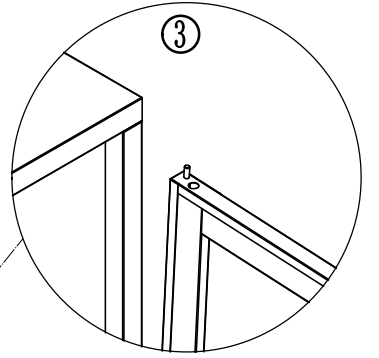
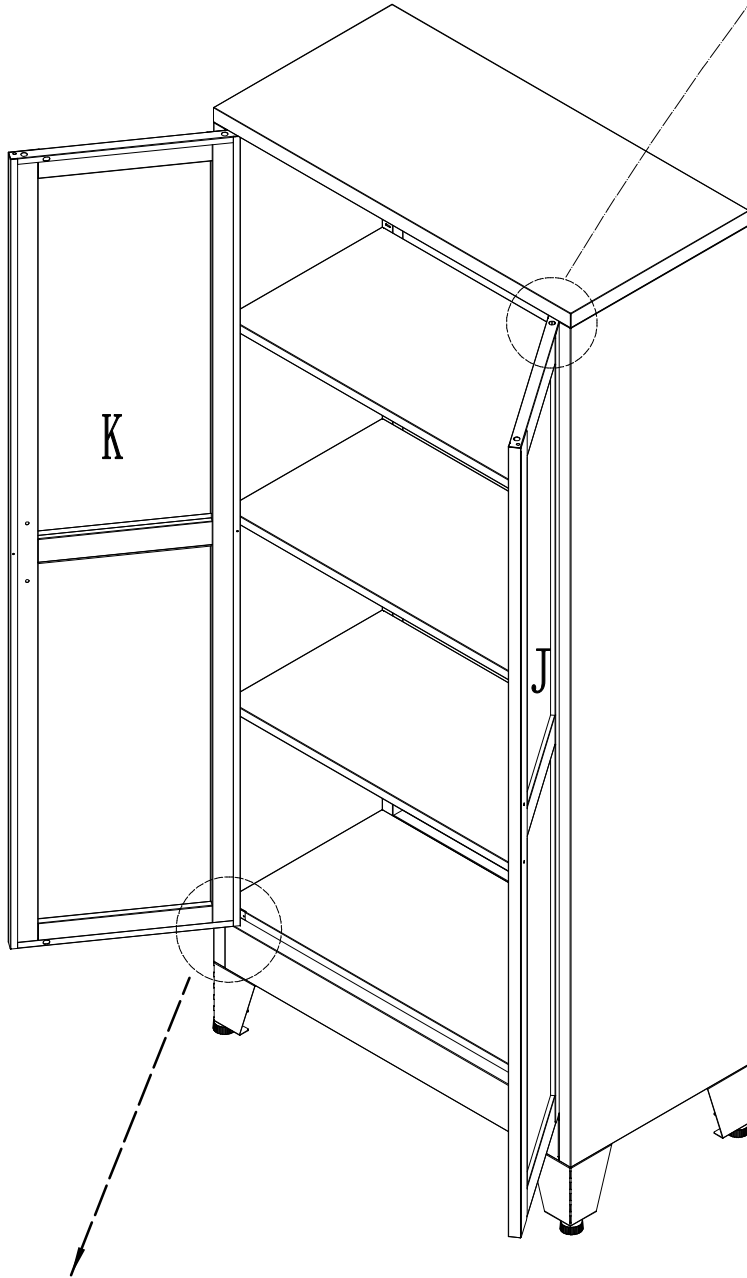


To install plastic grid latches, hold the holes on both sides of the latches to secure the grid



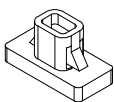
9

S\*2 



10

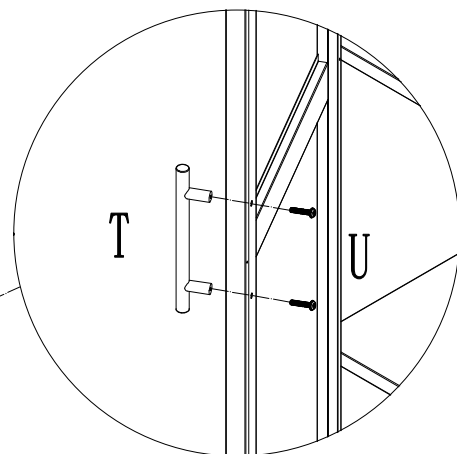
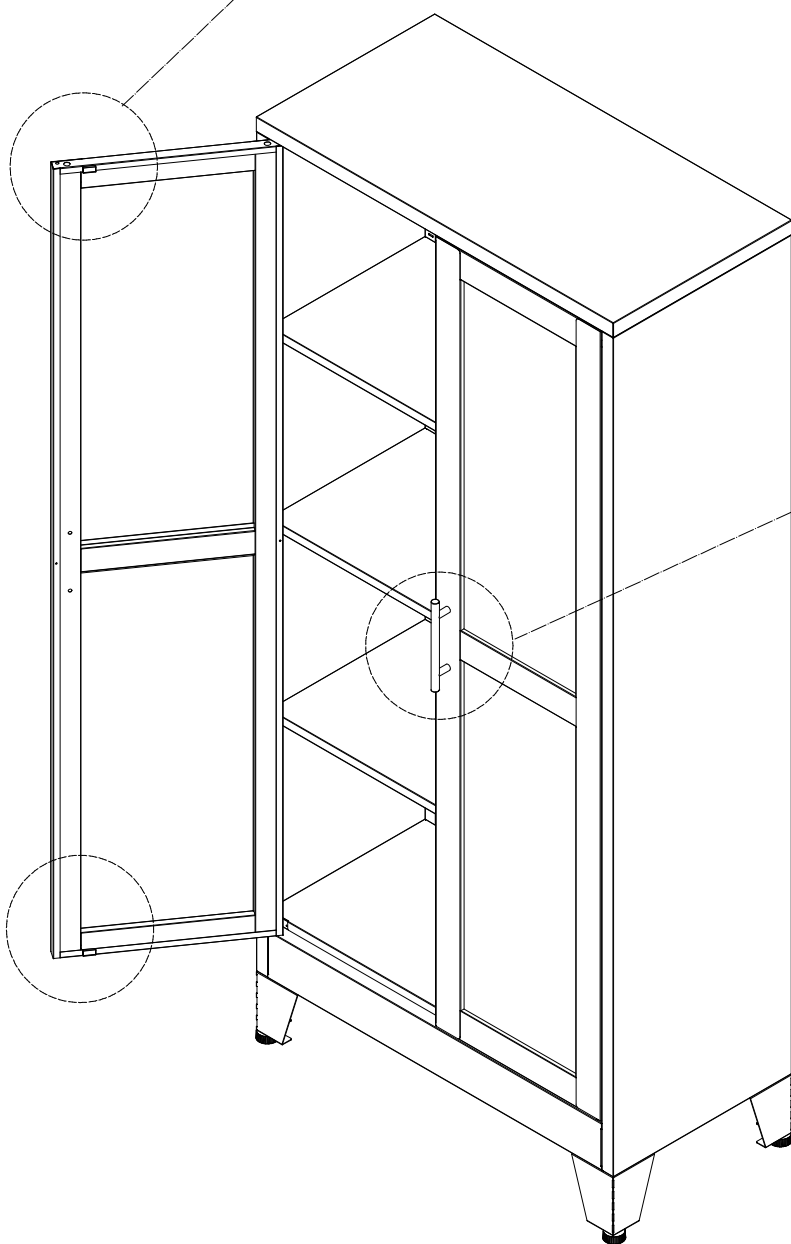
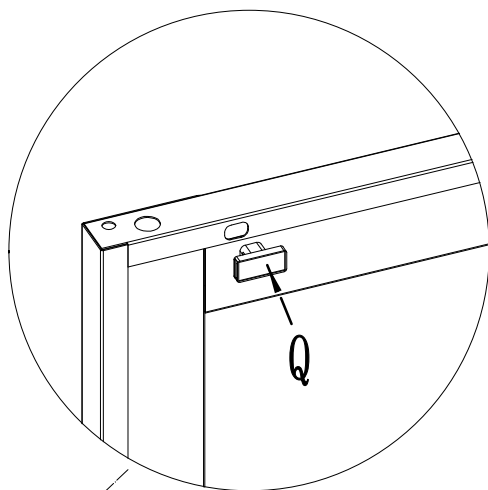
Q\*4



T\*2



U\*4



11

The cabinet can be fixed to the wall as needed.

W\*2

