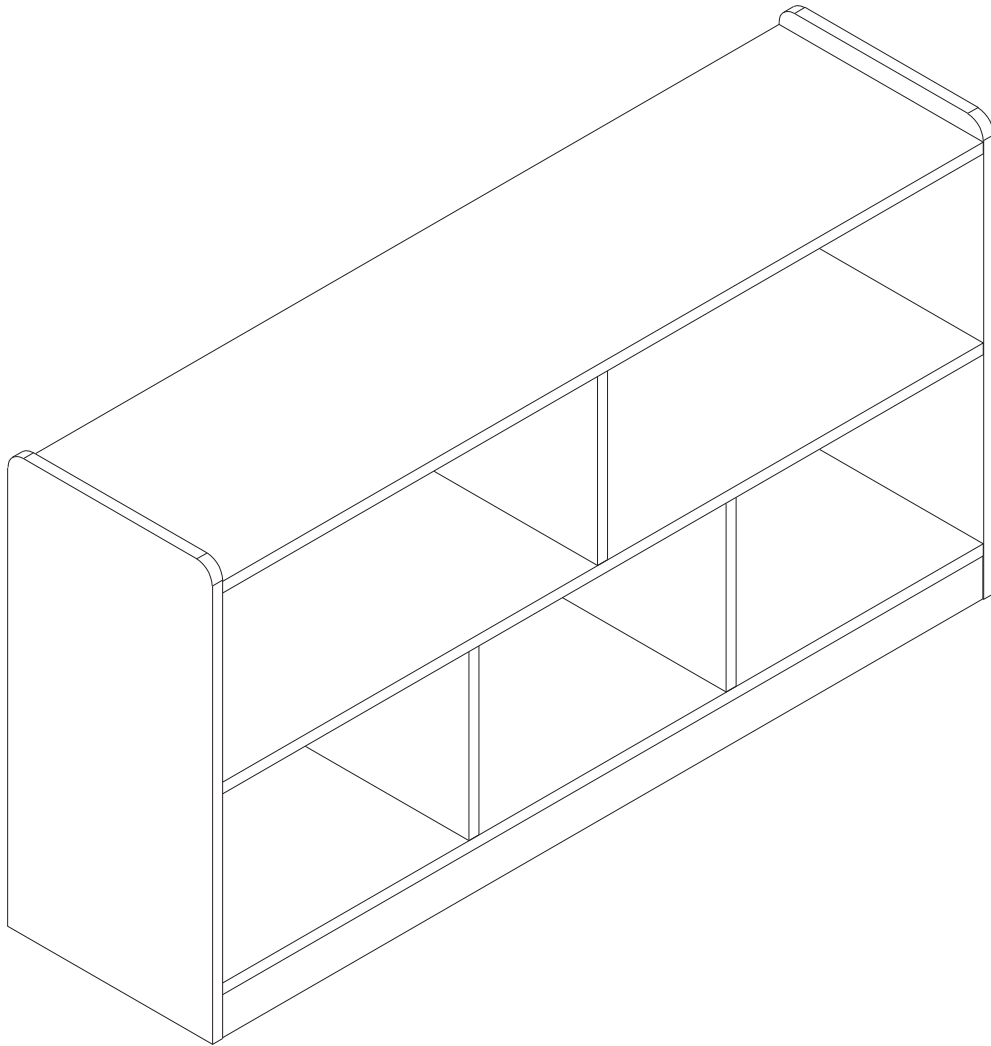


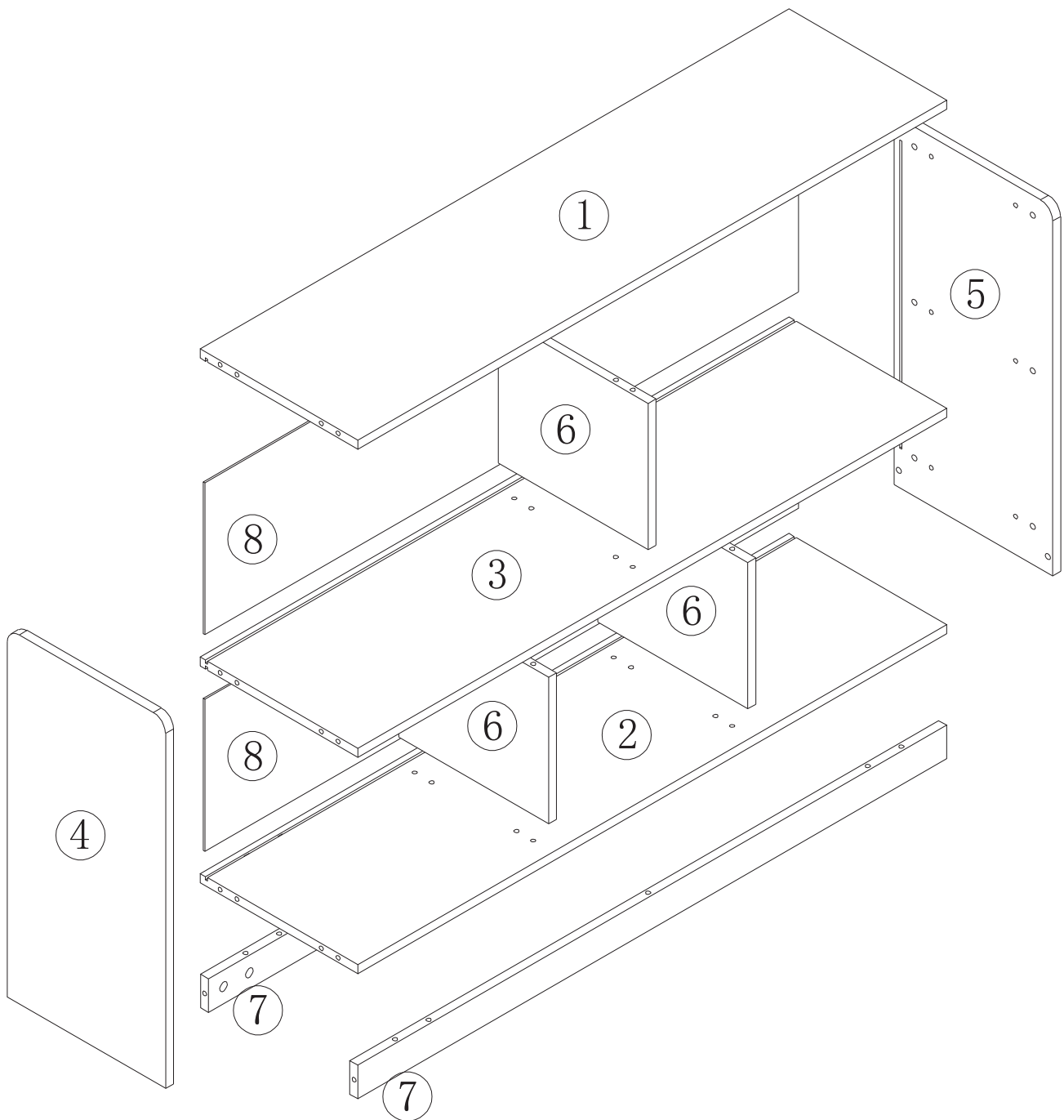
USER MANUAL



THANK YOU FOR PURCHASING OUR PRODUCT

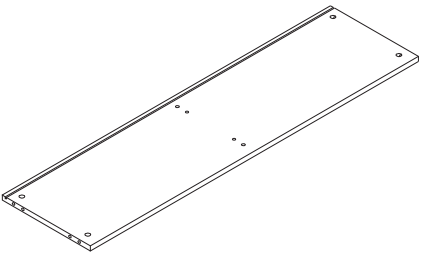
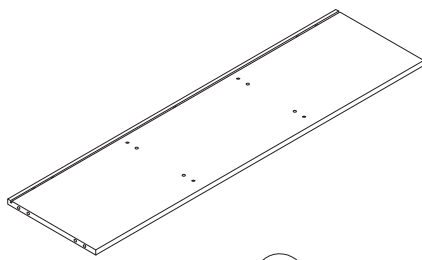
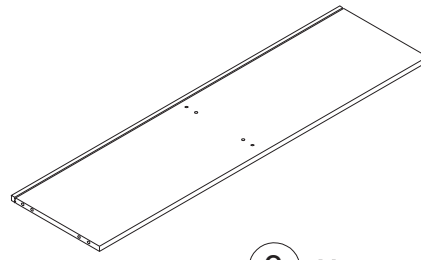
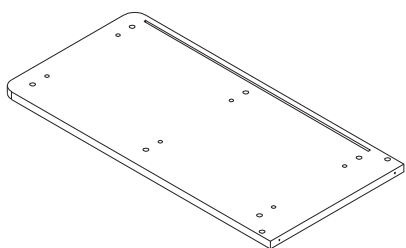
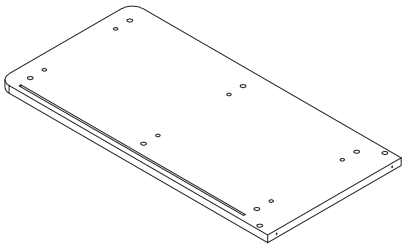
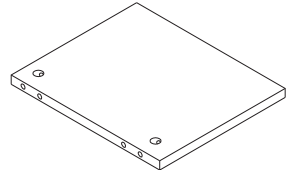
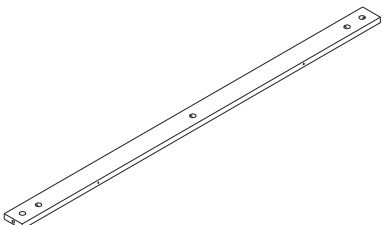
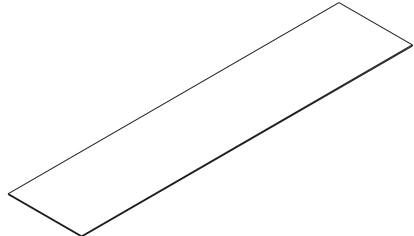
Installation Instructions

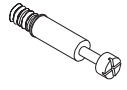
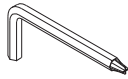


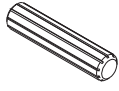
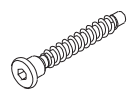



Note: Avoid fully tightening screws during initial assembly in case of assembly errors. Tighten screws only after all parts have been properly assembled.



Please read this manual carefully before installation and keep it well for future reference.

List of Installation Accessories

		
① X 1PC	② X 1PC	③ X 1PC
		
④ X 1PC	⑤ X 1PC	⑥ X 3PCS
		
⑦ X 2PCS	⑧ X 2PCS	

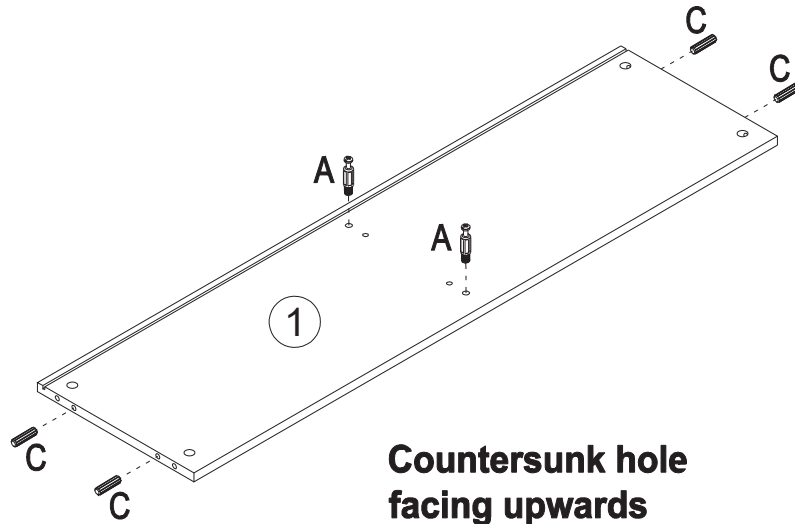
NO.	PICTURE	SIZE	QTY	NO.	PICTURE	SIZE	QTY
A		M6*35	28	G		M4	1
B		15*11.5	28	H		Sticker	28
C		8*30	28				
D		ST7*40	6				
E	 	3*16	16				
F			16				



It takes at least two people to assemble the product.

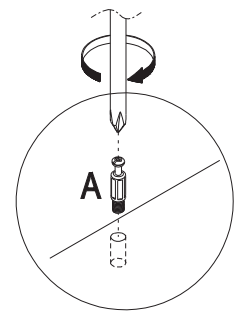
Installation Instructions

STEP 1



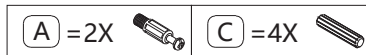
Countersunk hole facing upwards

Detailed View

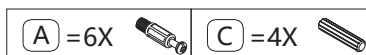
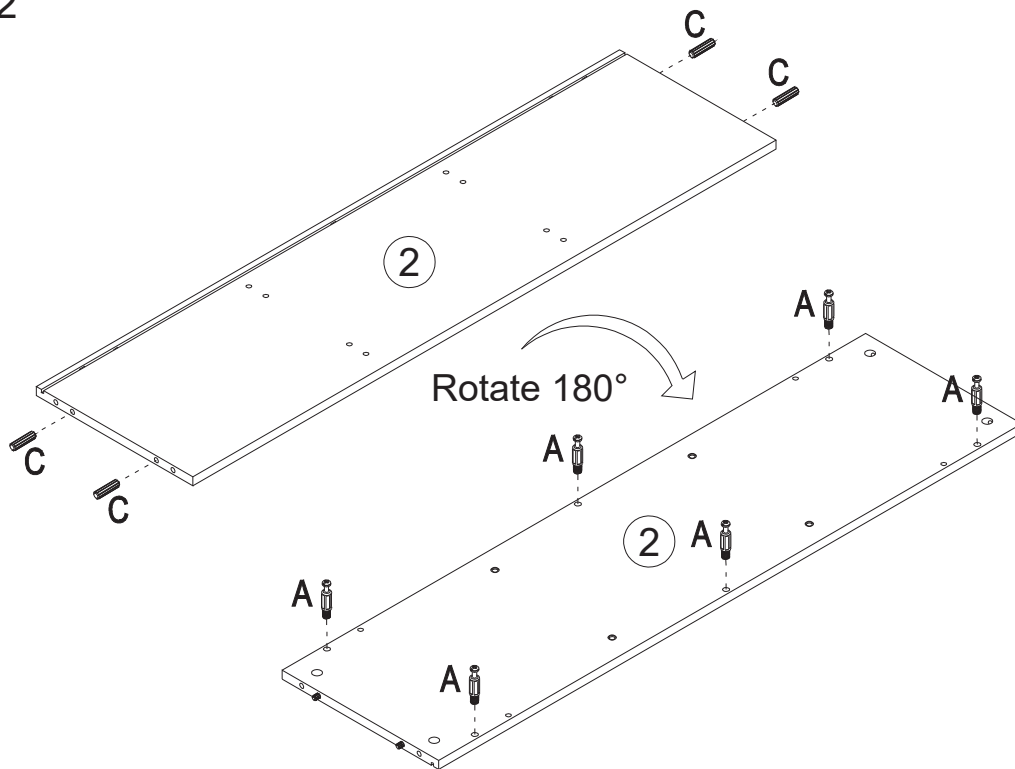


Pay attention to the hole position.

Please keep accessories A vertical.

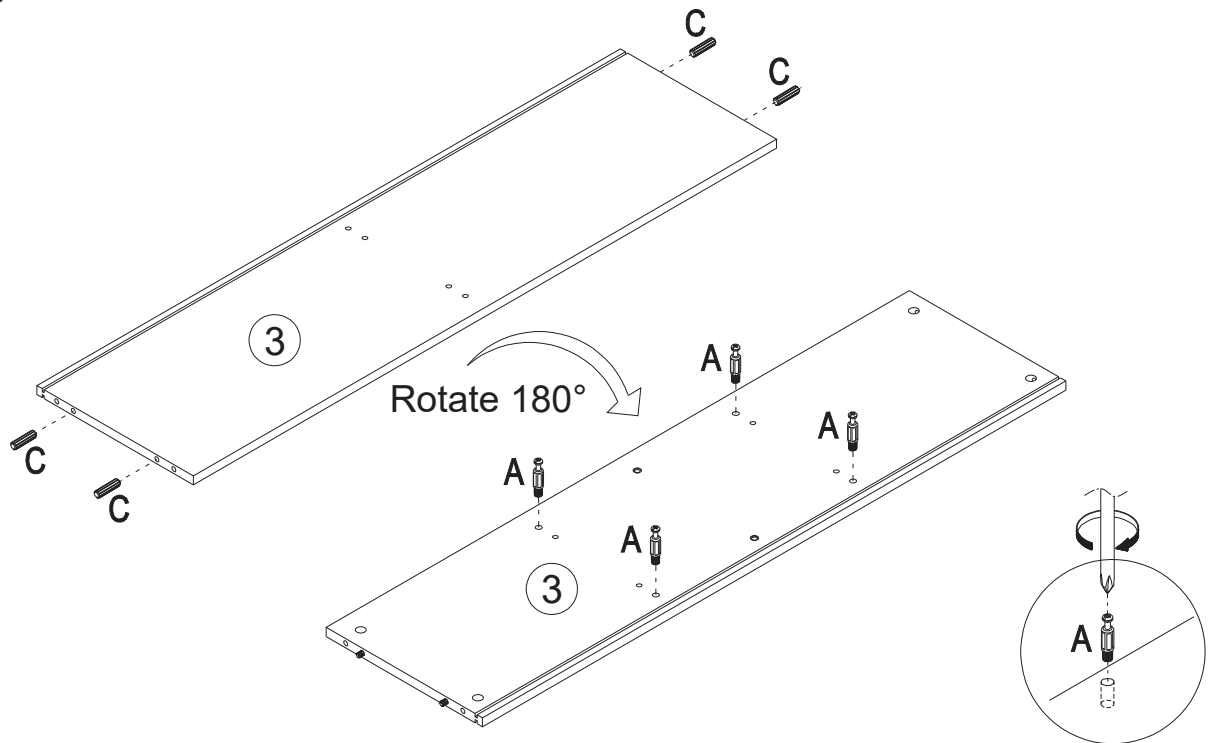


STEP 2

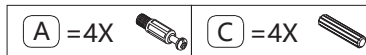


Installation Instructions

STEP 3

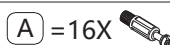
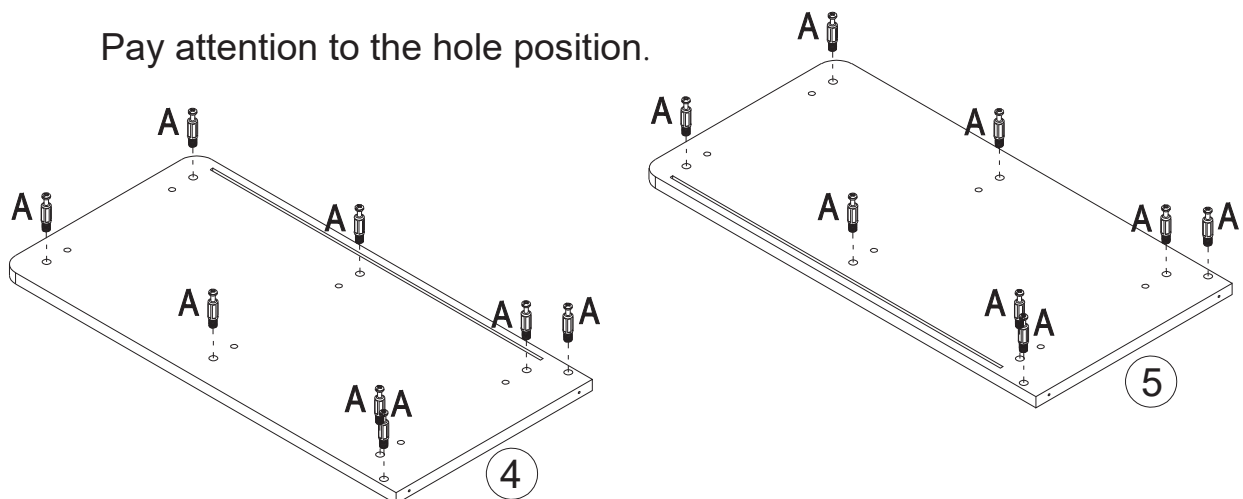


Please keep accessories A vertical.



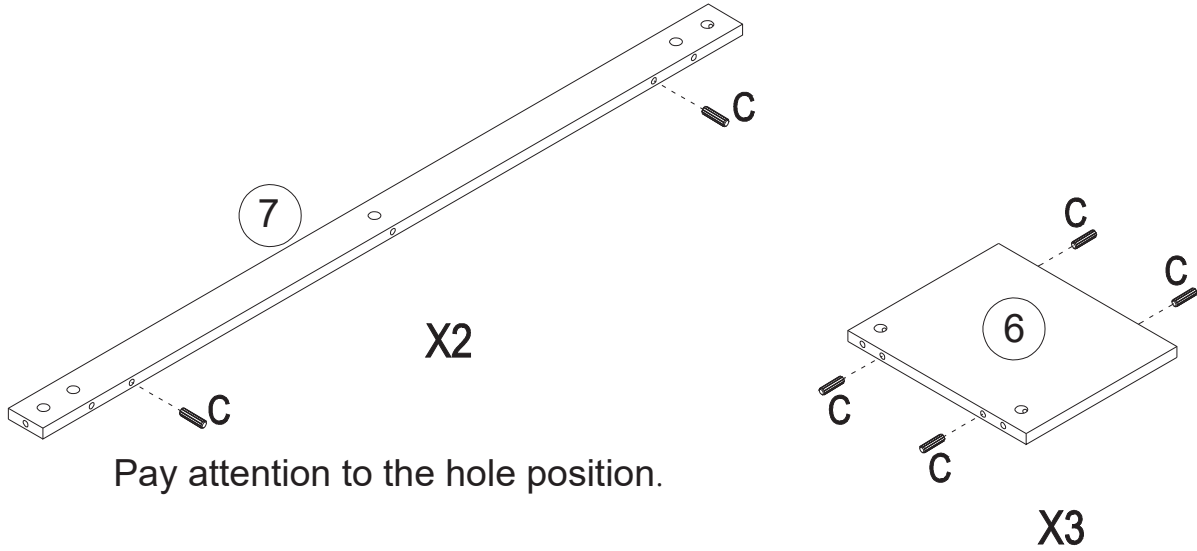
STEP 4


Pay attention to the hole position.



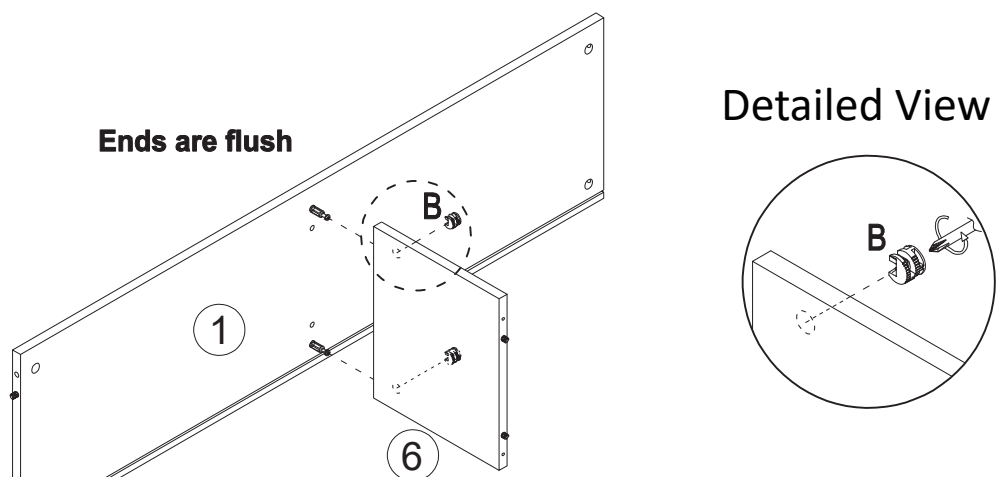
Installation Instructions

STEP 5




C = 16X 

STEP 6

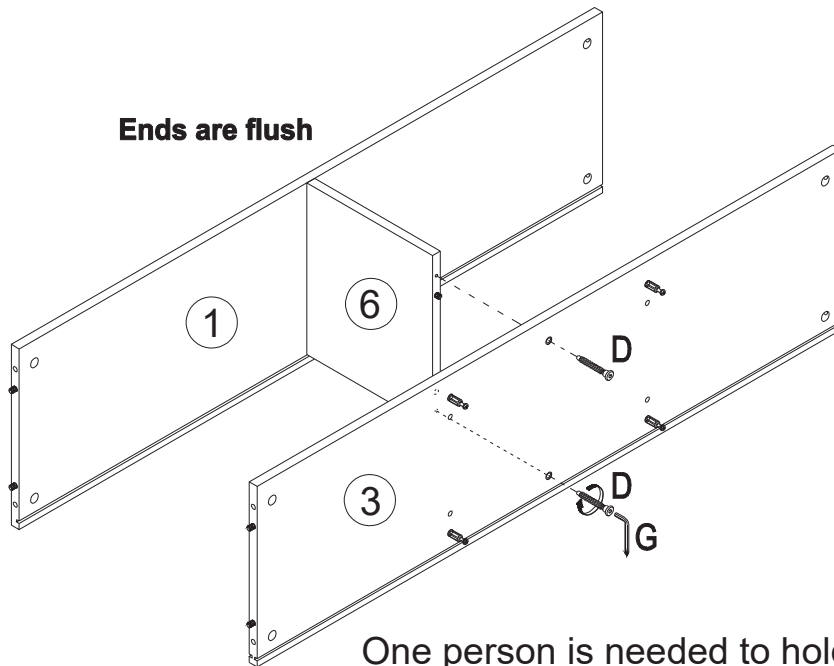


One person is needed to hold the panels while the other tightens the screws.


B = 2X 

Installation Instructions

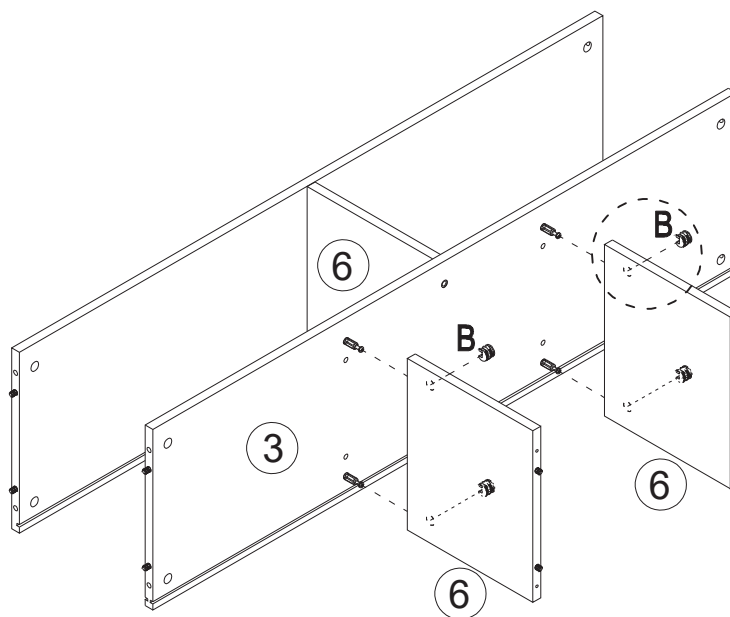
STEP 7



One person is needed to hold the panels while the other tightens the screws.

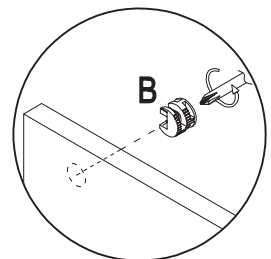
D = 2X 

STEP 8



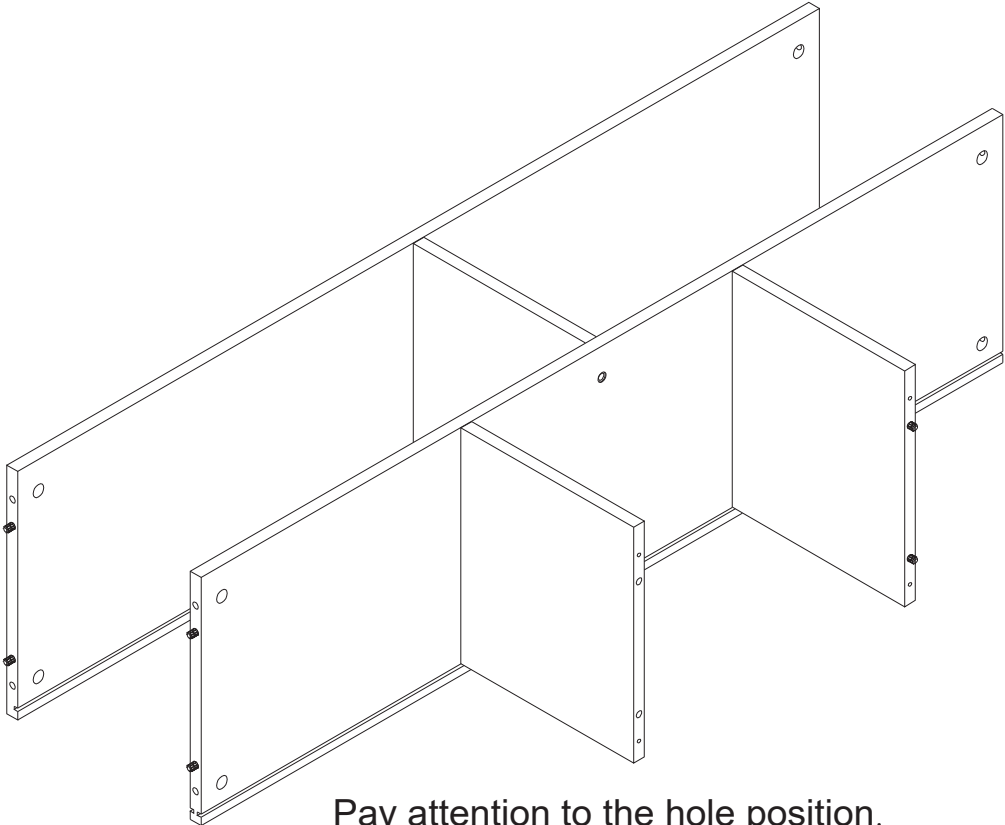
Pay attention to the hole position.

B = 4X 

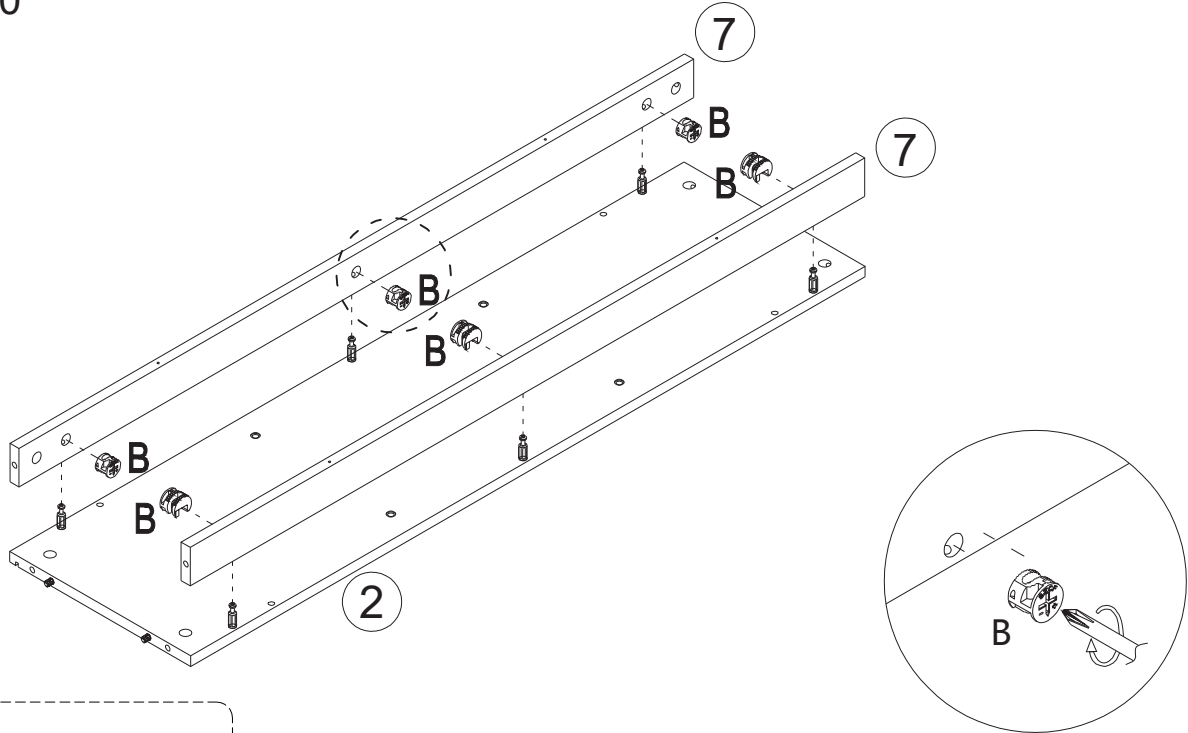


Installation Instructions


STEP 9



STEP 10

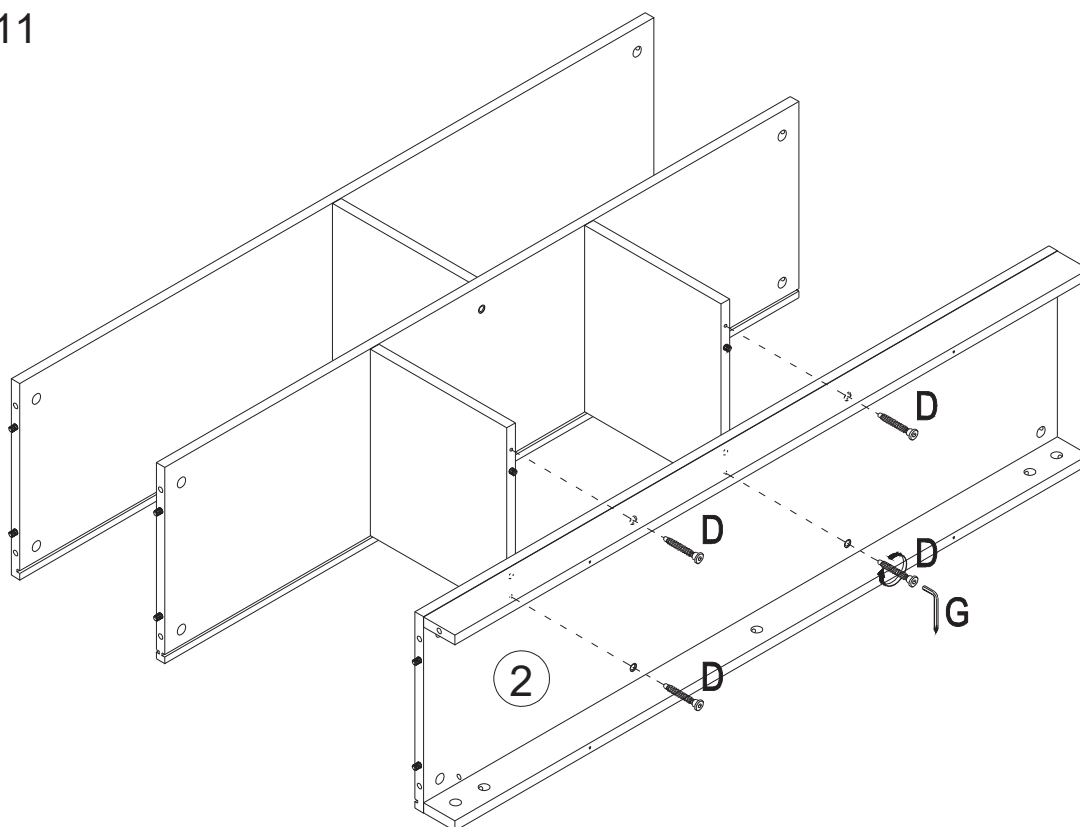



Make sure
the sides and bottom
are flush

B = 6X 

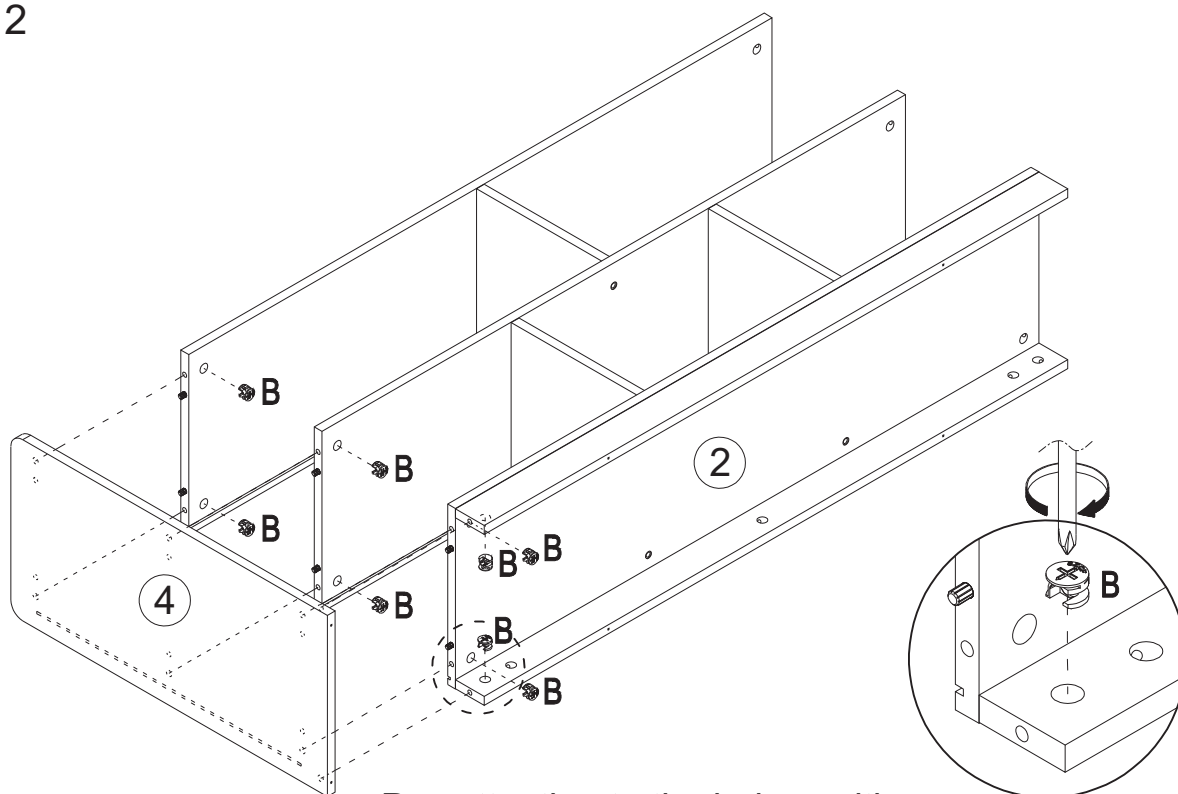
Installation Instructions

STEP 11




D = 4X 

STEP 12



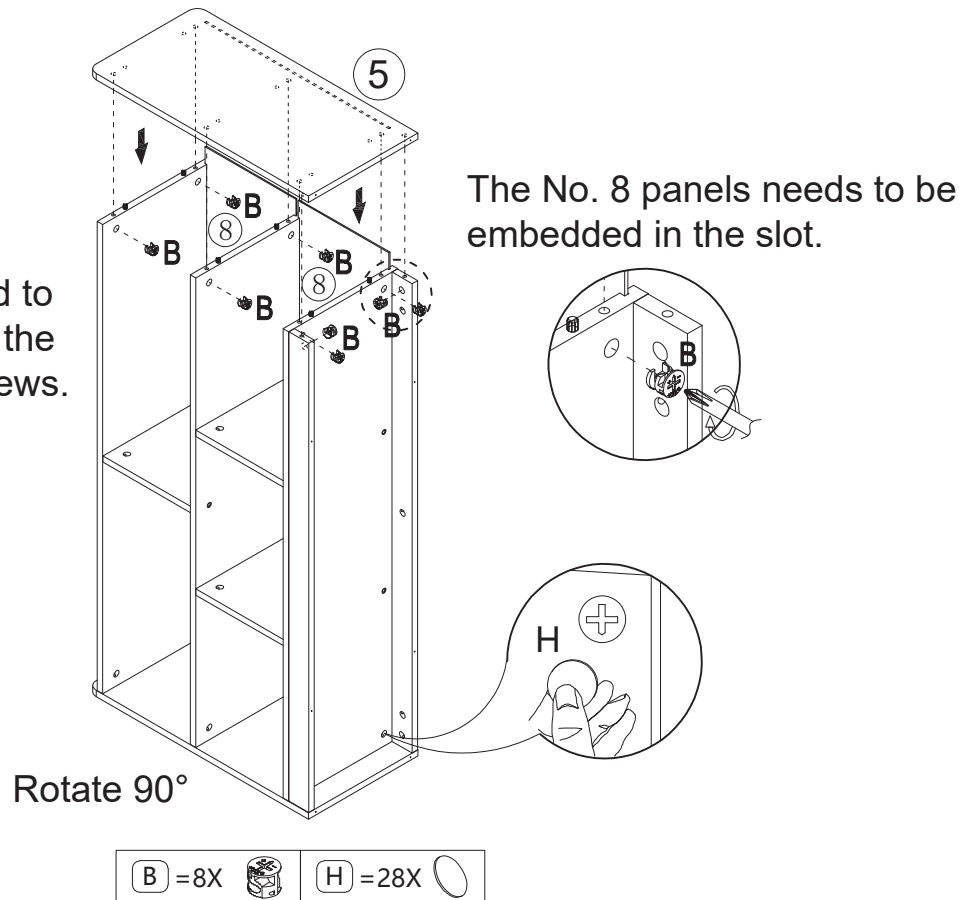
Pay attention to the hole position.

B = 8X 

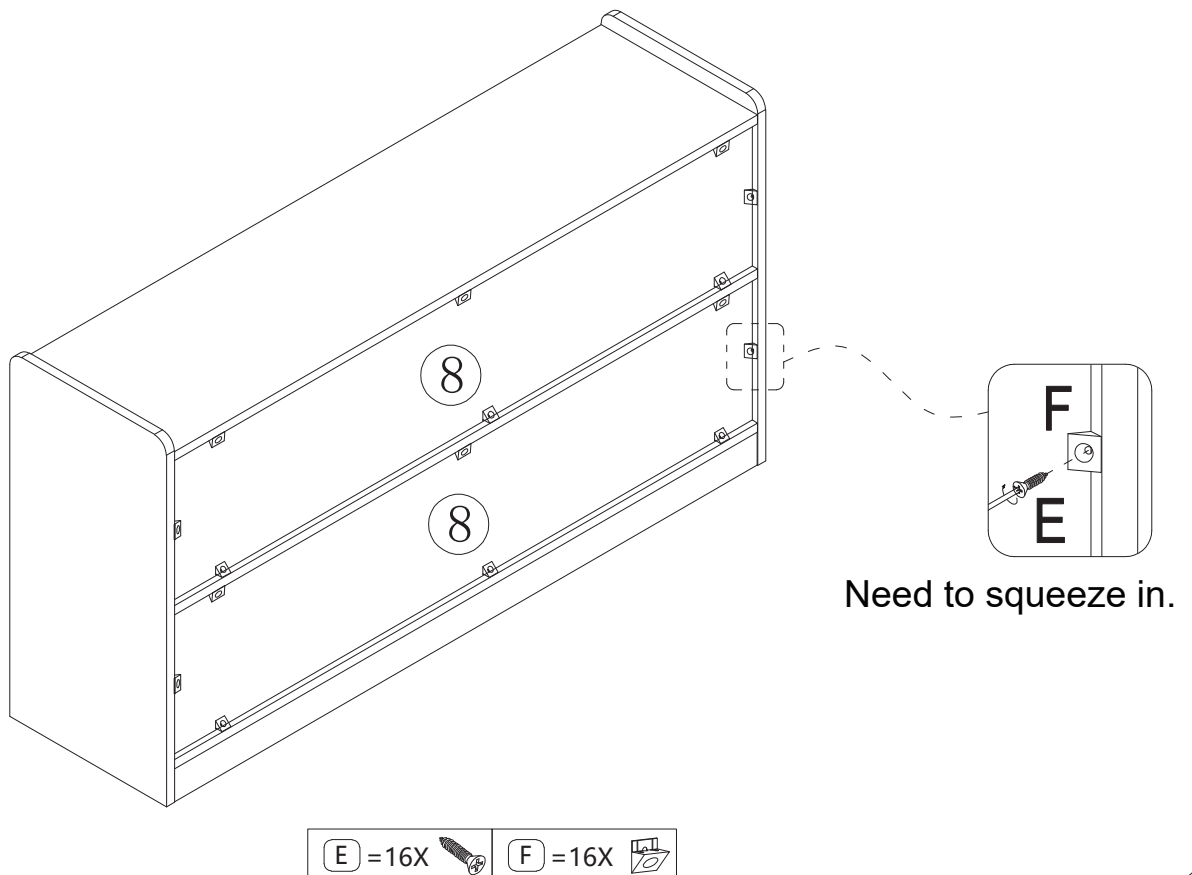
Installation Instructions

STEP 12

One person is needed to hold the panels while the other tightens the screws.

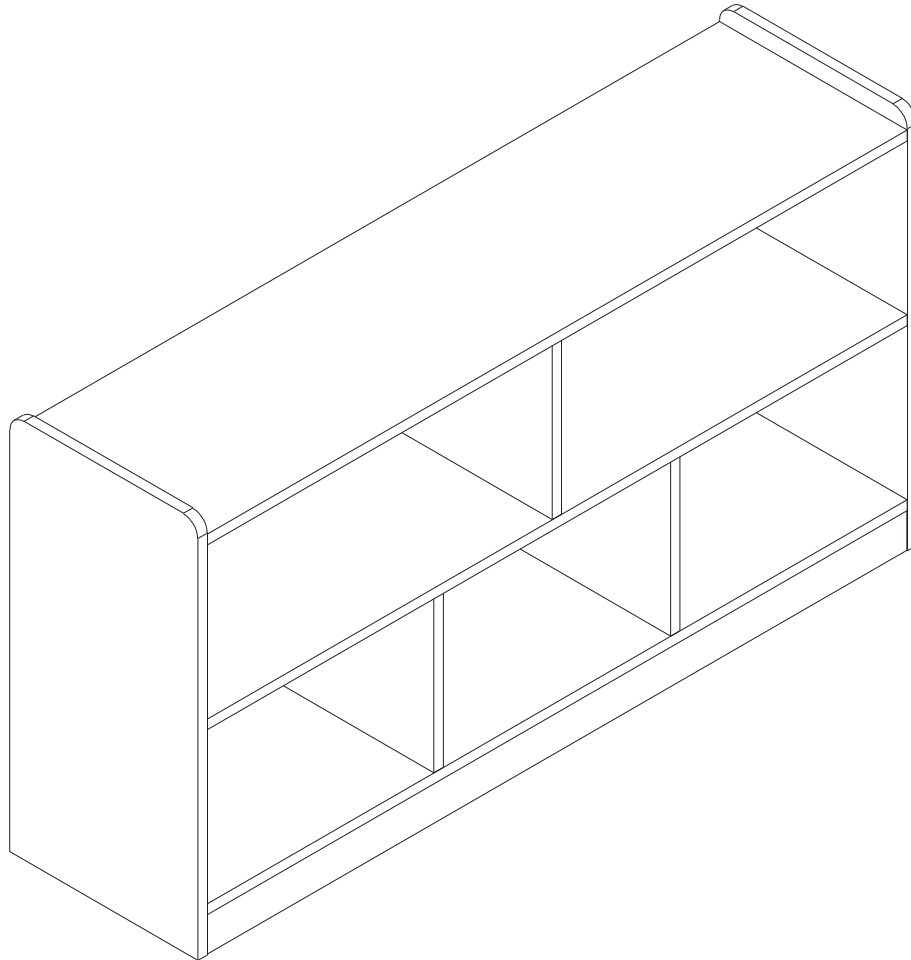


STEP 13



Installation Instructions

STEP 14



- Please avoid harsh, corrosive, and abrasive cleaners.
- Keep dry and avoid damp environments.

THANK YOU FOR PURCHASING OUR PRODUCT