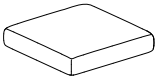
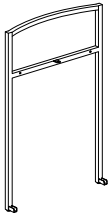
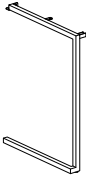
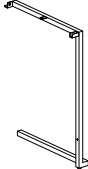


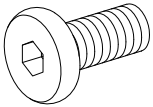
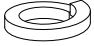
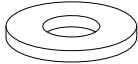
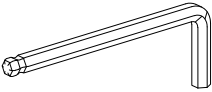


PART LIST

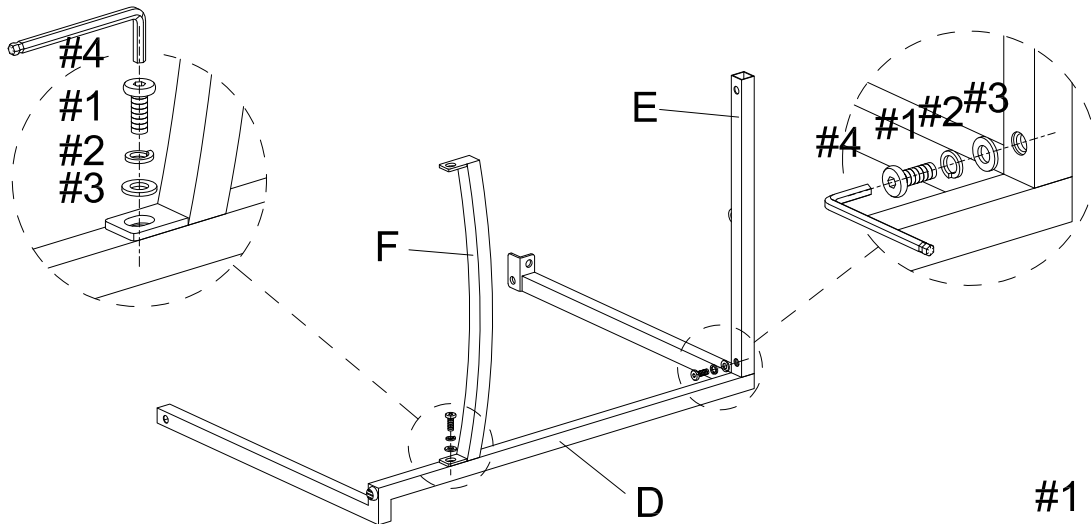
| | | | | |
|---|---|---|---|---|
| <p>A</p>  | <p>B</p>  | <p>C</p>  | <p>D</p>  | <p>E</p>  |
| <p>Seat 2 PCS</p> | <p>Back 2 PCS</p> | <p>Left Leg 2 PCS</p> | <p>Right Leg 2 PCS</p> | <p>Stretcher 2 PCS</p> |
| <p>F</p>  | | | | |
| <p>Footrest 2 PCS</p> | | | | |





HARDWARE LIST

| | | | |
|--|--|--|---|
| <p>#1</p>  <p>1/4"x3/4"L</p> | <p>#2</p>  | <p>#3</p>  | <p>#4</p>  |
| <p>Bolt 28 PCS (Extra 2)</p> | <p>Spring Washer 28 PCS (Extra 2)</p> | <p>Flat Washer 28 PCS (Extra 2)</p> | <p>Allen Wrench 1 PC</p> |

Step 1. Attach stretcher (part E) and footrest (part F) to right leg (part D) using bolts (part #1), spring washers (part #2), flat washers (part #3) and allen wrench (part #4).

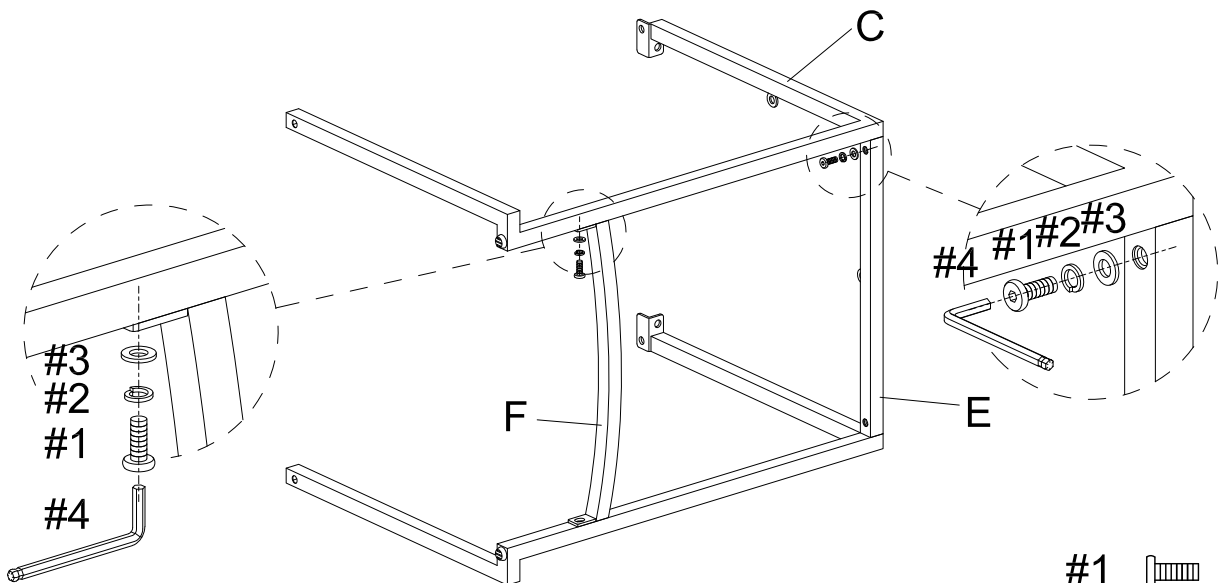
NOTE: Please do not fully tighten bolts until unit is fully assembled.







- | | | |
|----|---|----|
| #1 |  | x2 |
| #2 |  | x2 |
| #3 |  | x2 |
| #4 |  | x1 |

Step 2. Attach left leg (part C) to stretcher (part E) and footrest (part F) using bolts (part #1), spring washers (part #2), flat washers (part #3) and allen wrench (part #4).

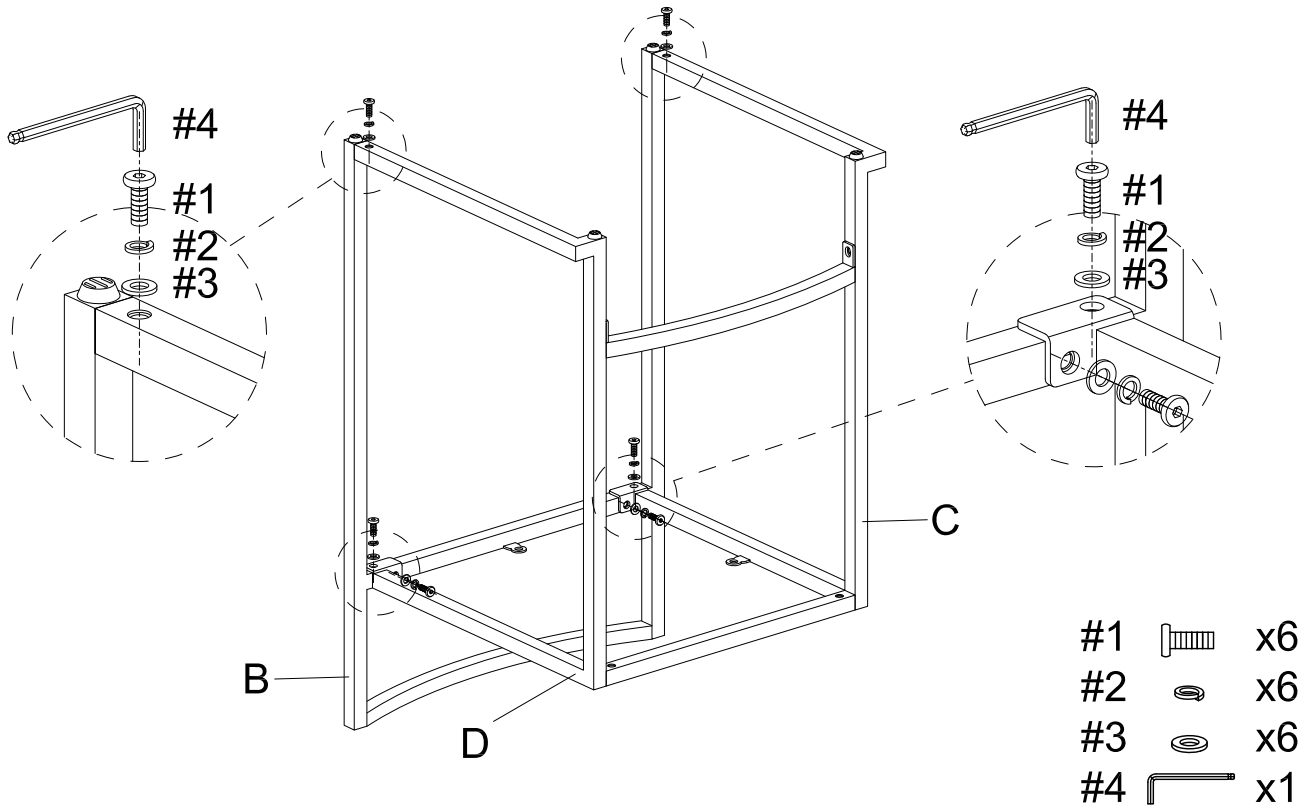
NOTE: Please do not fully tighten bolts until unit is fully assembled.



- | | | |
|----|---|----|
| #1 |  | x2 |
| #2 |  | x2 |
| #3 |  | x2 |
| #4 |  | x1 |

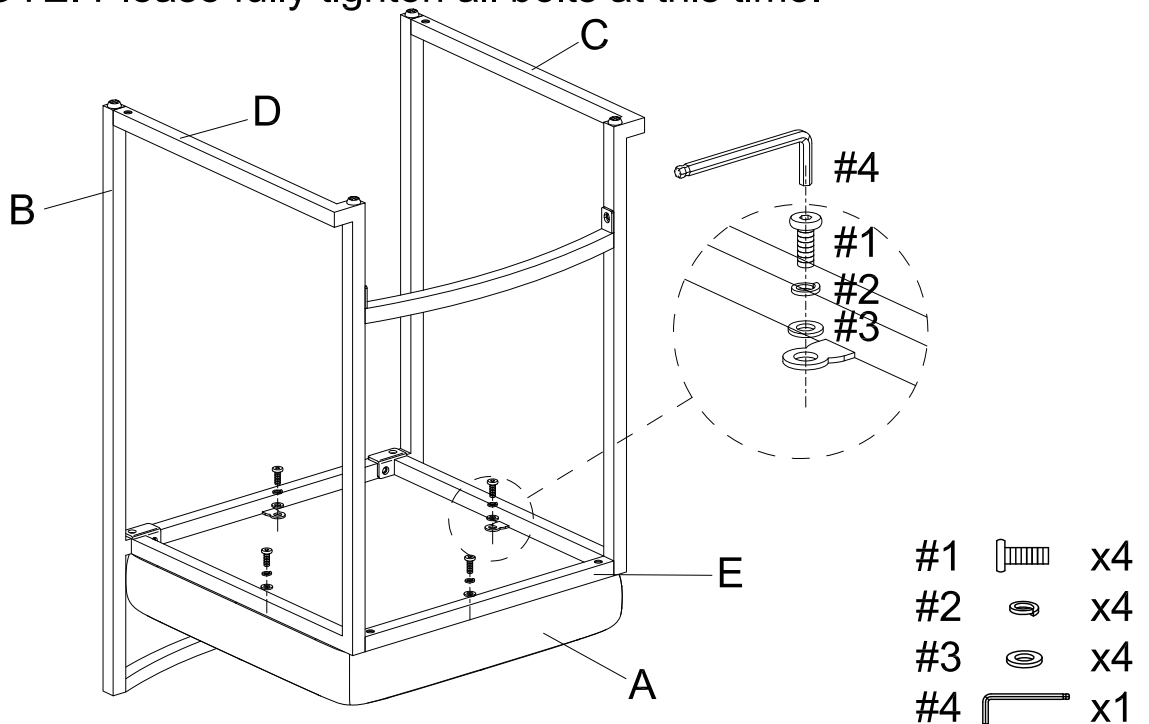
Step 3. Attach back (part B) to legs (parts C & D) using bolts (part #1), spring washers (part #2), flat washers (part #3) and allen wrench (part #4).

NOTE: Please do not fully tighten bolts until unit is fully assembled.



Step 4. Lay seat (part A) upside down on a soft flat surface, such as carpet. Attach assembled unit (parts B, C, D & E) to seat (part A) using bolts (part #1), spring washers (part #2), flat washers (part #3) and allen wrench (part #4).

NOTE: Please fully tighten all bolts at this time.



Step 5. Carefully turn unit upright. Repeat steps 1- 4 to assemble remaining stool.

NOTE: It is important to adjust levelers once fully assembled and upright. Extend adjustable leveler until it's firmly in contact with the floor. If relocating, adjust leveler as needed until it's firmly in contact with the floor in new location.

