

ASSEMBLY INSTRUCTIONS



ARM CHAIR

ASSEMBLY INSTRUCTIONS

ASSEMBLY TIPS:

1. Remove hardware from box and sort by size.
2. Please check to see that all hardware and parts are present prior to start of assembly.
3. Please follow attached instructions in the same sequence as numbered to assure fast & easy assembly.



WARNING!

1. Don't attempt to repair or modify parts that are broken or defective. Please contact the store immediately.
2. This product is for home use only and not intended for commercial establishments.



ASSEMBLY TIME

10 MINUTES

PARTS IDENTIFICATION

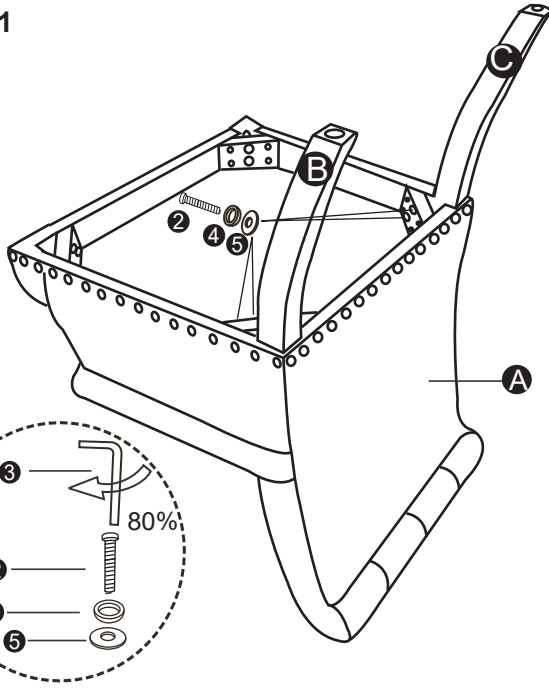
A		SEAT AND BACK	1PC
B		BACK RIGHT LEG	1PC
C		BACK LEFT LEG	1PC
D		FRONT LEGS	2PCS

HARDWARE IDENTIFICATION

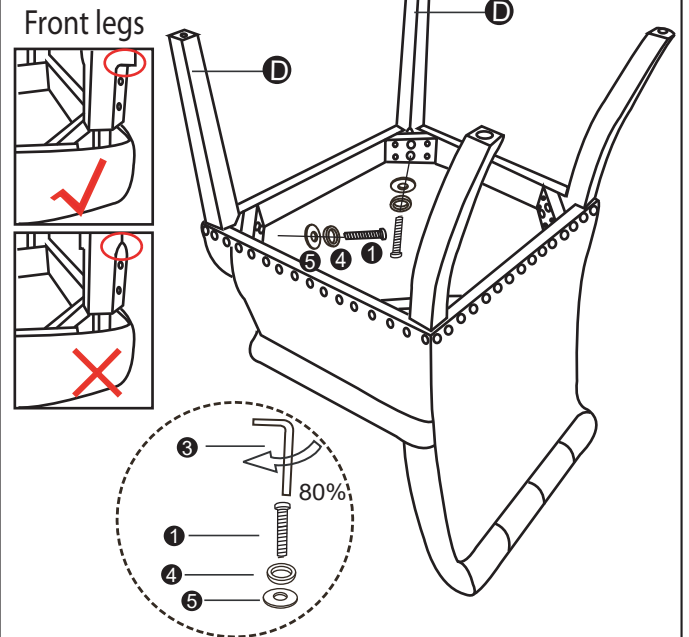
1		LARGE BOLT (M8×65mm)	4PCS
2		SMALL BOLT (M8×60mm)	4PCS
3		ALLEN KEY (M8)	1PC
4		LOCK WASHER (Φ8)	8PCS
5		FLAT WASHER (Φ8)	8PCS

ASSEMBLY INSTRUCTIONS

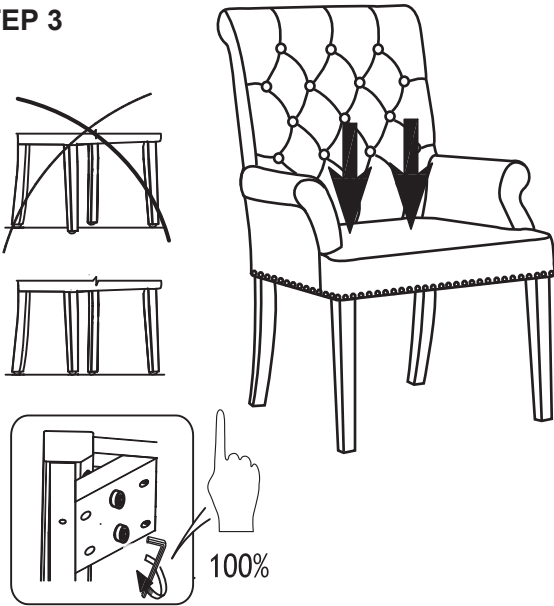
STEP 1



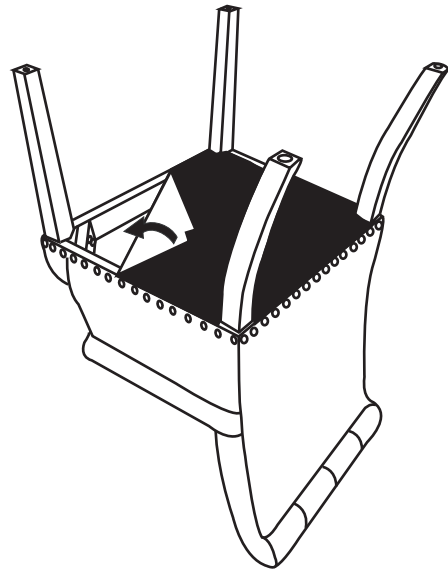
STEP 2



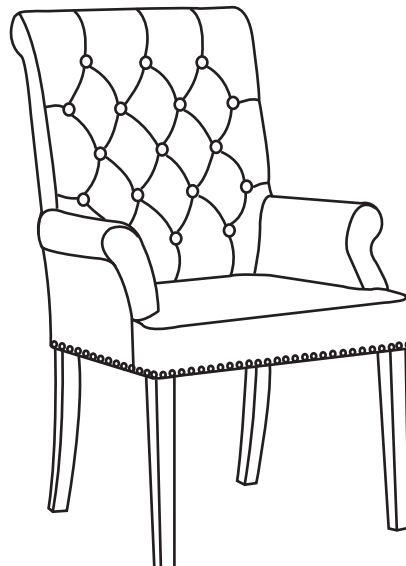
STEP 3



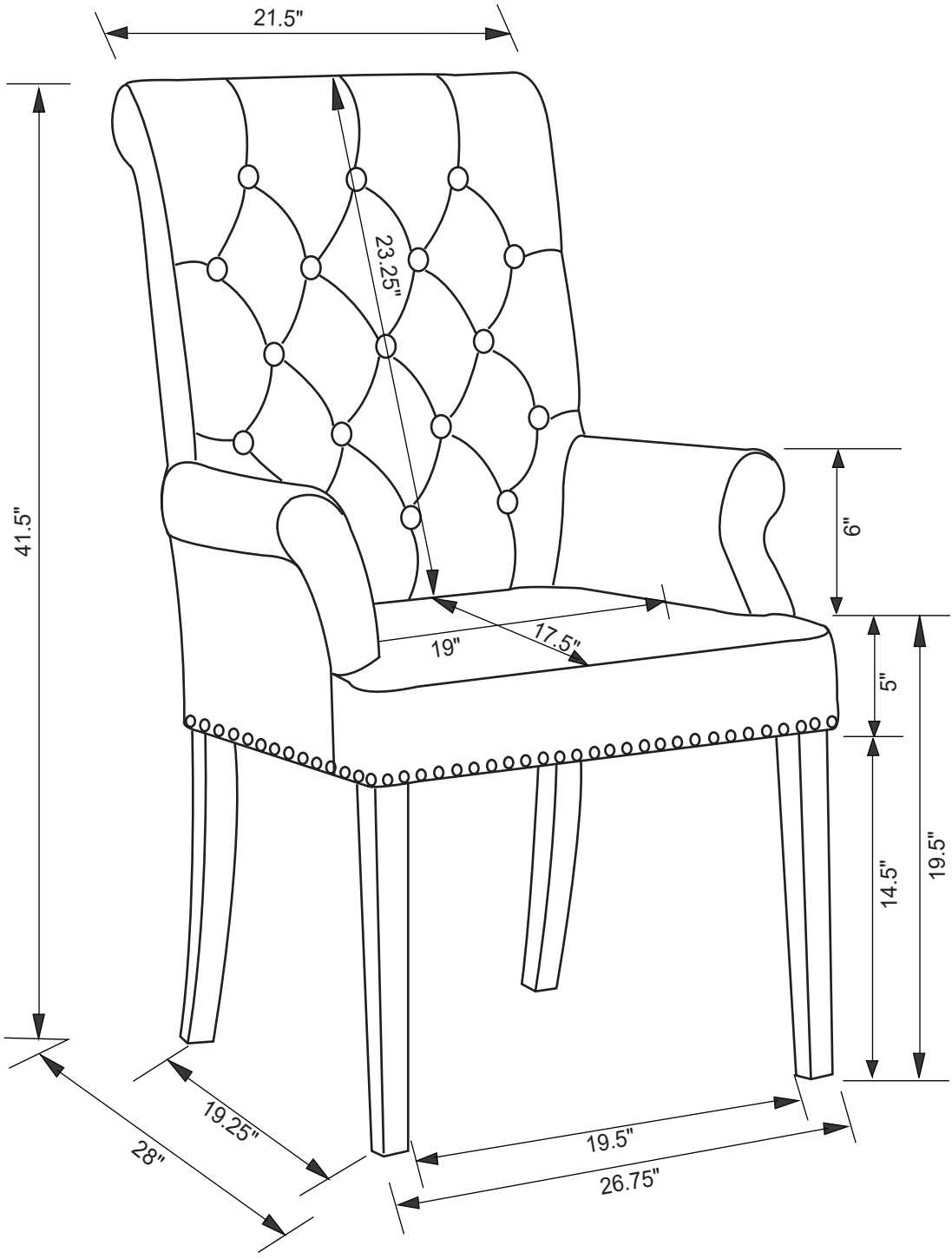
STEP 4



STEP 5



ASSEMBLY INSTRUCTIONS



Note : Dimension tolerance $\pm 5\%$