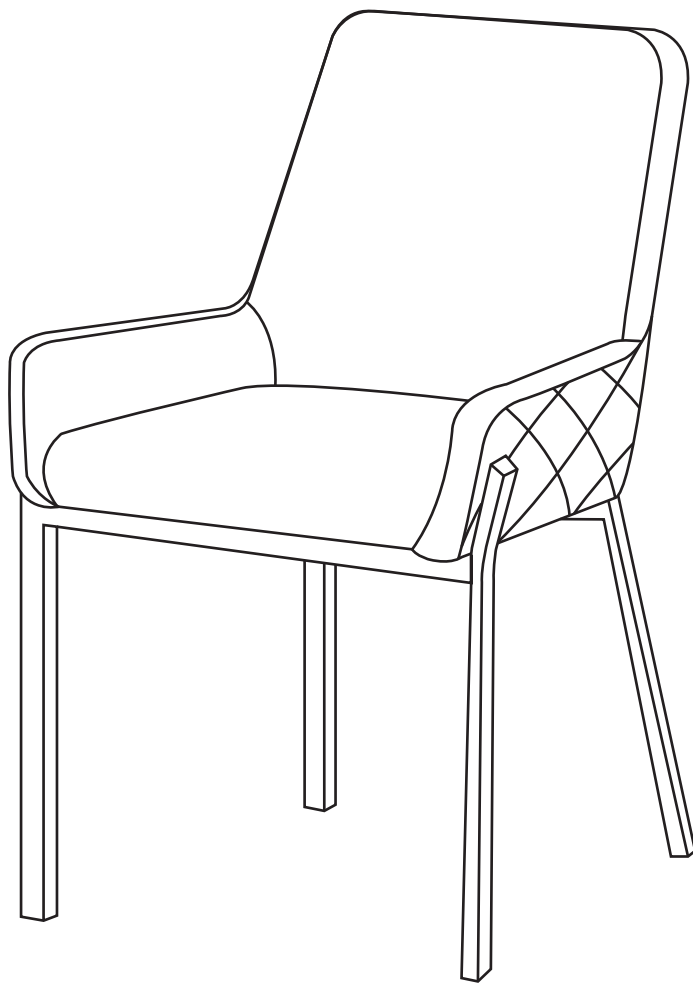
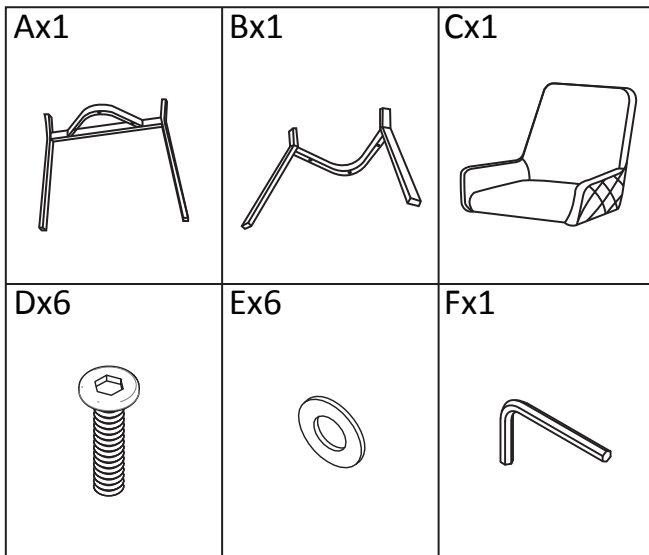


# Assembly Instructions

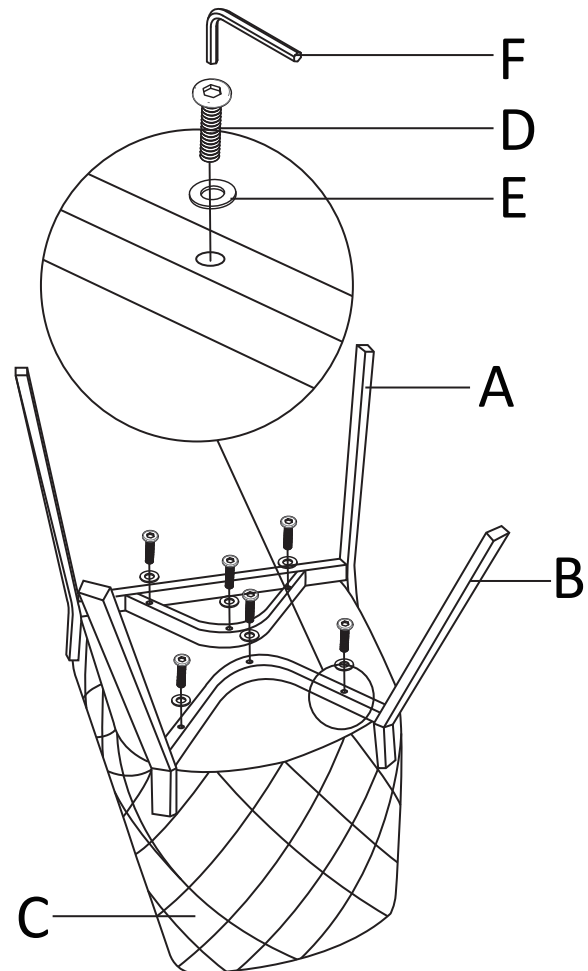


## Dining Chair

## Step 1



## Step 2



### **IMPORTANT:**

#### **Assembly:**

Please take time to carefully read through the whole of these instructions before you commence assembly of this product. Please follow these instructions in the order set out and keep safe for future reference.

Unpack, inspect and check all contents (parts and hardware) in all cartons before commencing assembly. If you find that something is missing stop assembly and contact us immediately.

This product is heavy. Take extreme care when lifting to avoid personal injury or damage to the product. Always use two people to assemble or lift this product.

Assemble the product as close as possible to its intended final position in the room of intended use.

Small component parts could choke a child if swallowed. We strongly recommend that you keep children away from the work area. Please keep all fittings out of reach of children.

It is recommended that you lay a sheet or blanket on the surface where you intend to work. This would help to avoid damage to the product and the surface. Always assemble on a clean, flat surface or floor.

Assemble all parts loosely before tightening. Ensure all parts are fully tightened before completing the assembly. Do not use any tools other than those indicated and do not for any reason use a power tool to assemble this product as it's use will invalidate any claim you make and could make this product unsafe. The product/fittings may be damaged if overtightened. Beware of cross threading screws and bolts during assembly.

Please dispose of packaging carefully and safely. Check to ensure no parts are accidentally discarded. There may be excess fittings but please check before disposal.

**General Care:**

This product will give you many years of enjoyment if you follow the guidelines for safe assembly, maintenance and cleaning.

Wipe clean with a soft, damp cloth.

Avoid the use of household cleaners and abrasives. Use specialised products specifically designed for the materials of this product. Some unapproved cleaning products may adversely effect the product.

When moving this product, carefully lift, move and place. Be sure to use a minimum of two people when lifting this product.

Never drag or push the product across the floor as this will cause misalignment or damage to the joints. This may make this product unsafe and could result in it complete failure. This will invalidate your warranty.

Periodically check and tighten the fittings, if necessary.

Only use this product of its intended use and never stand on or misuse this item.