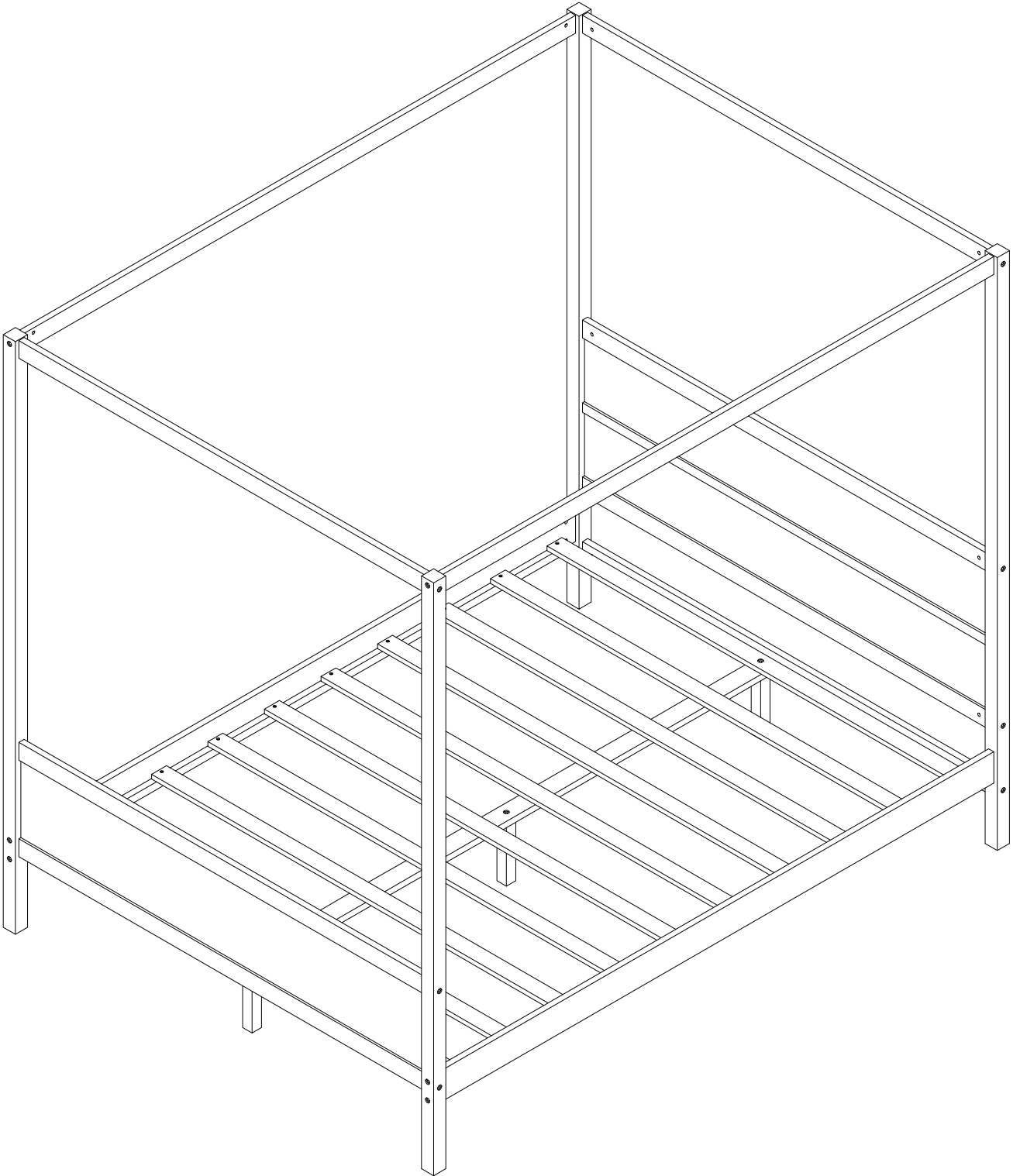


# ASSEMBLY INSTRUCTION



## **SAFETY WARNINGS AND GENERAL NOTES:**

**Do not use substitute parts. Contact the manufacturer or dealer for replacement**

**Keep these instructions for future reference.**

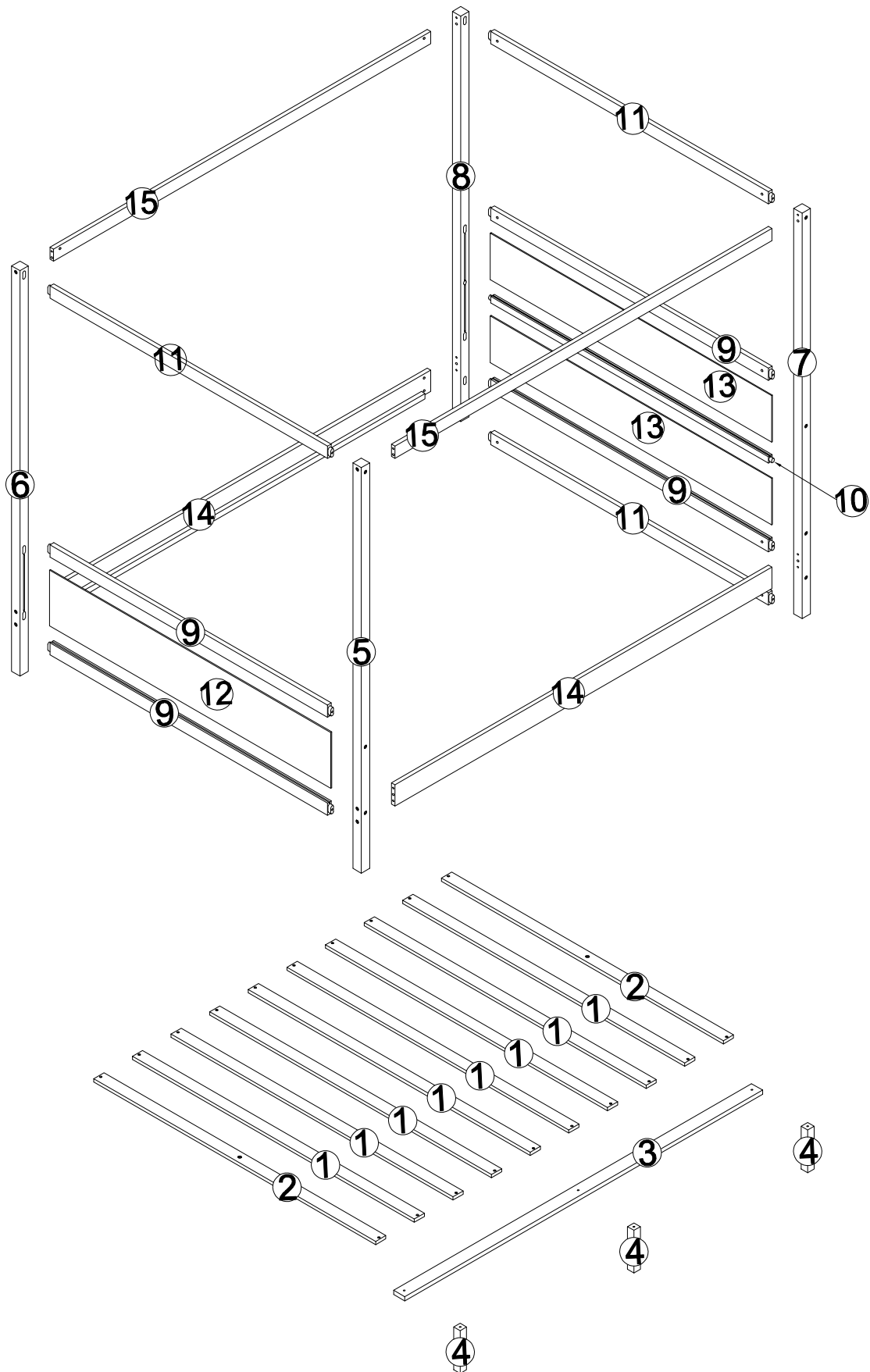
**We recommend assembling your bed on the shipping carton to protect your floor**

**Be certain all staples are out of the box before beginning assembly on the shipping**

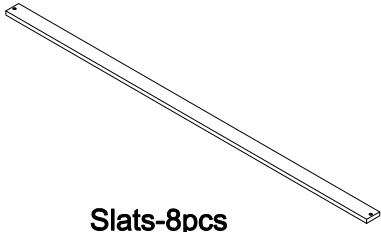
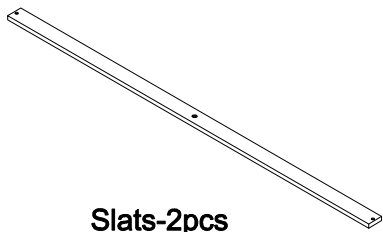
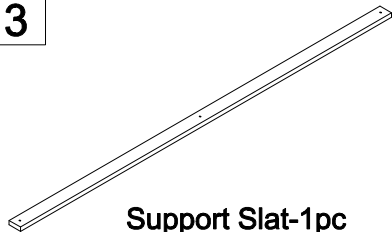







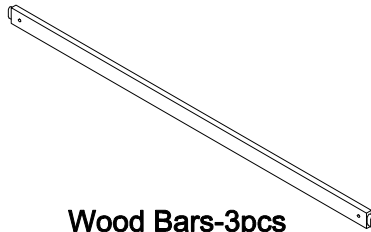
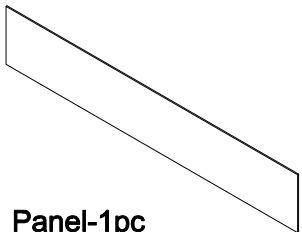
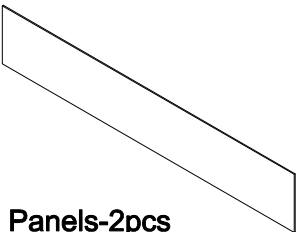
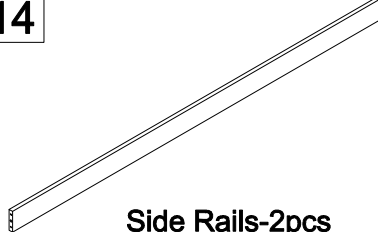
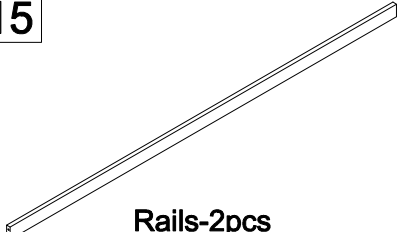
### **5.Replacement Parts:**

**Replacement Parts, including additional guardrails, may be obtained from any of our (GIGACLOUD TECHNOLOGY (USA) INC.) dealers**



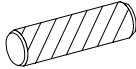



# ASSEMBLY INSTRUCTION

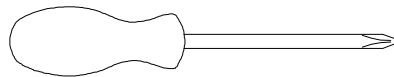


# Part List & Hardware List

<p>1</p>  <p>Slats-8pcs</p>	<p>2</p>  <p>Slats-2pcs</p>	<p>3</p>  <p>Support Slat-1pc</p>
<p>4</p>  <p>Center legs-3pcs</p>	<p>5</p>  <p>Leg-1pc</p>	<p>6</p>  <p>Leg-1pc</p>
<p>7</p>  <p>Leg-1pc</p>	<p>8</p>  <p>Leg-1pc</p>	<p>9</p>  <p>Wood Bars-4pcs</p>
<p>10</p>  <p>Wood Bar-1pc</p>	<p>11</p>  <p>Wood Bars-3pcs</p>	<p>12</p>  <p>Panel-1pc</p>
<p>13</p>  <p>Panels-2pcs</p>	<p>14</p>  <p>Side Rails-2pcs</p>	<p>15</p>  <p>Rails-2pcs</p>

# Hardware List



<b>A</b>  Ø1/4" x 90mm Hex-Head bolts 26pcs	<b>B</b>  Ø1/4" x 13 mm Horizontal-Hole bolts 26pcs	<b>C</b>  Ø10 x 40 mm Wood dowel 8pcs
<b>D</b>  Ø1/4" x 50mm Hex-Head bolts 2pcs	<b>E</b>  Ø1/4" x 35mm Hex-Head bolts 1pc	<b>F</b>  M4 x 30 mm Wood Screws 20pcs

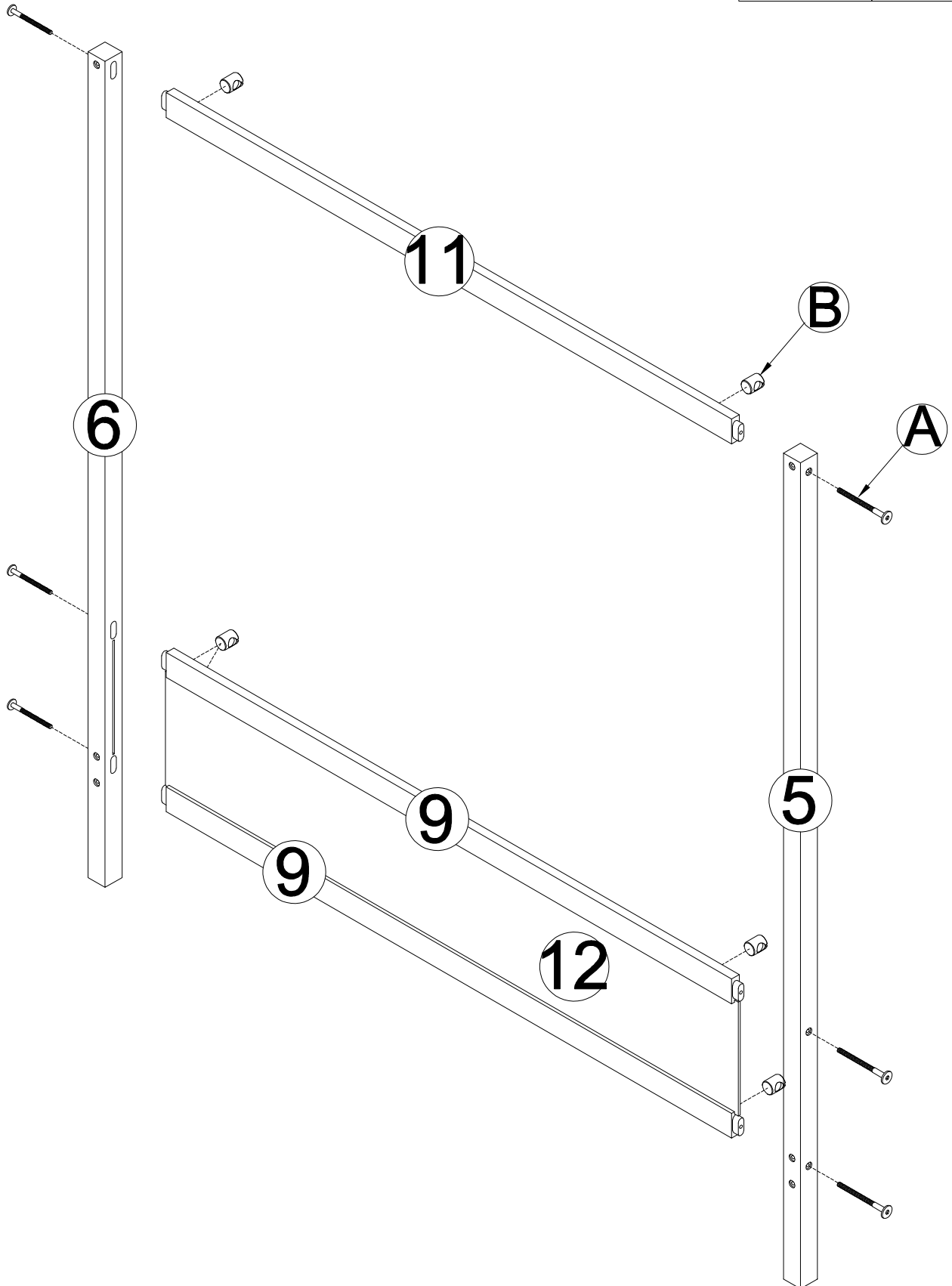


**Assembly Tools Required (Not Included)**

# STEP 1: Following below illustration:

-Using hardware #A,#B Connect 9(x2),11 Wood Bar and 12 Panel With 5,6 Legs  
-Look at detail view for more detail



A	B
	
6pcs	6pcs

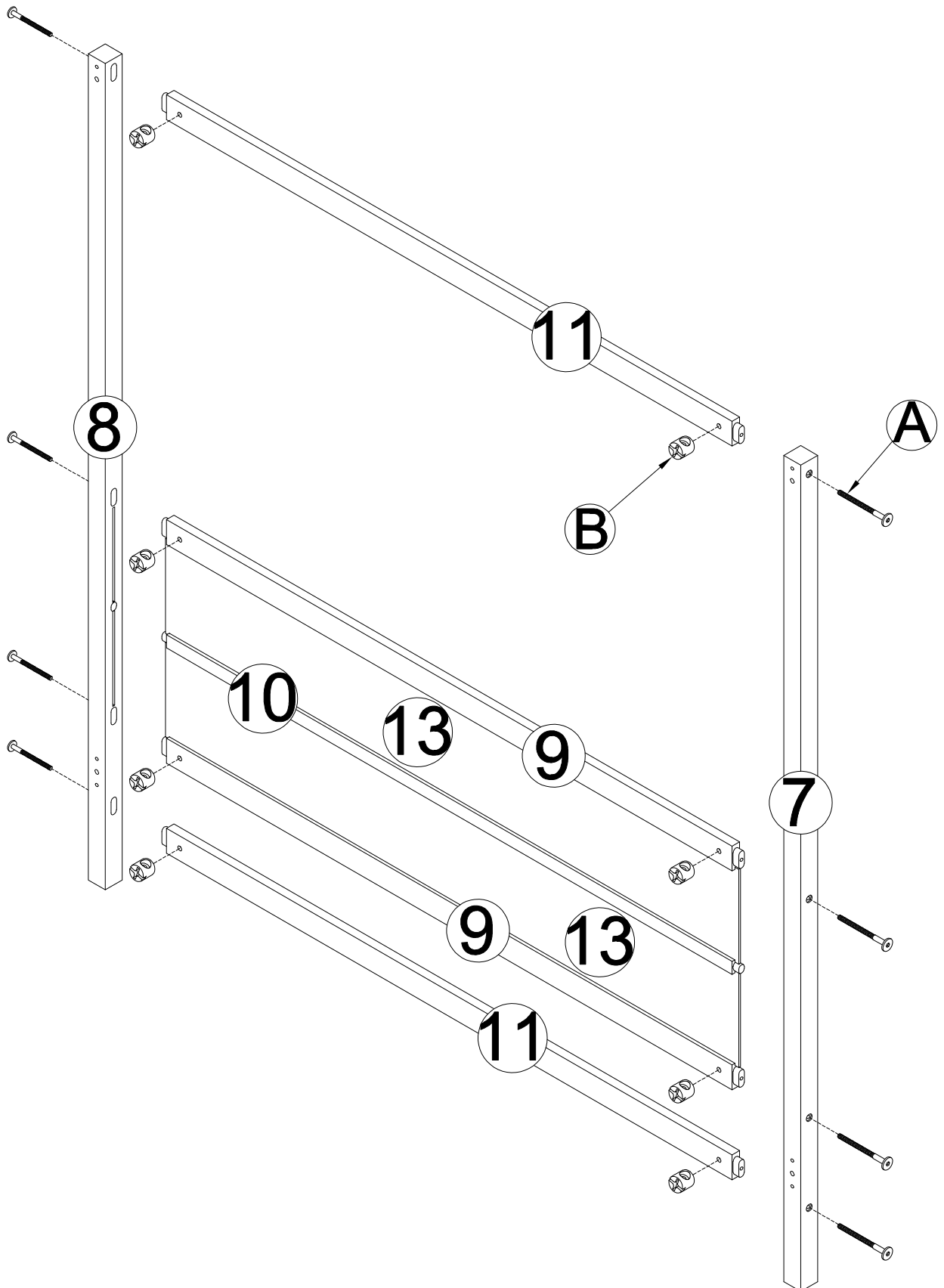


# STEP 2: Following below illustration:

-Using hardware #A,#B Connect 9(x2),10,11(x2) Wood Bar and 13(x2) Panels With 7,8 Legs

-Look at detail view for more detail




A	B
	
8pcs	8pcs

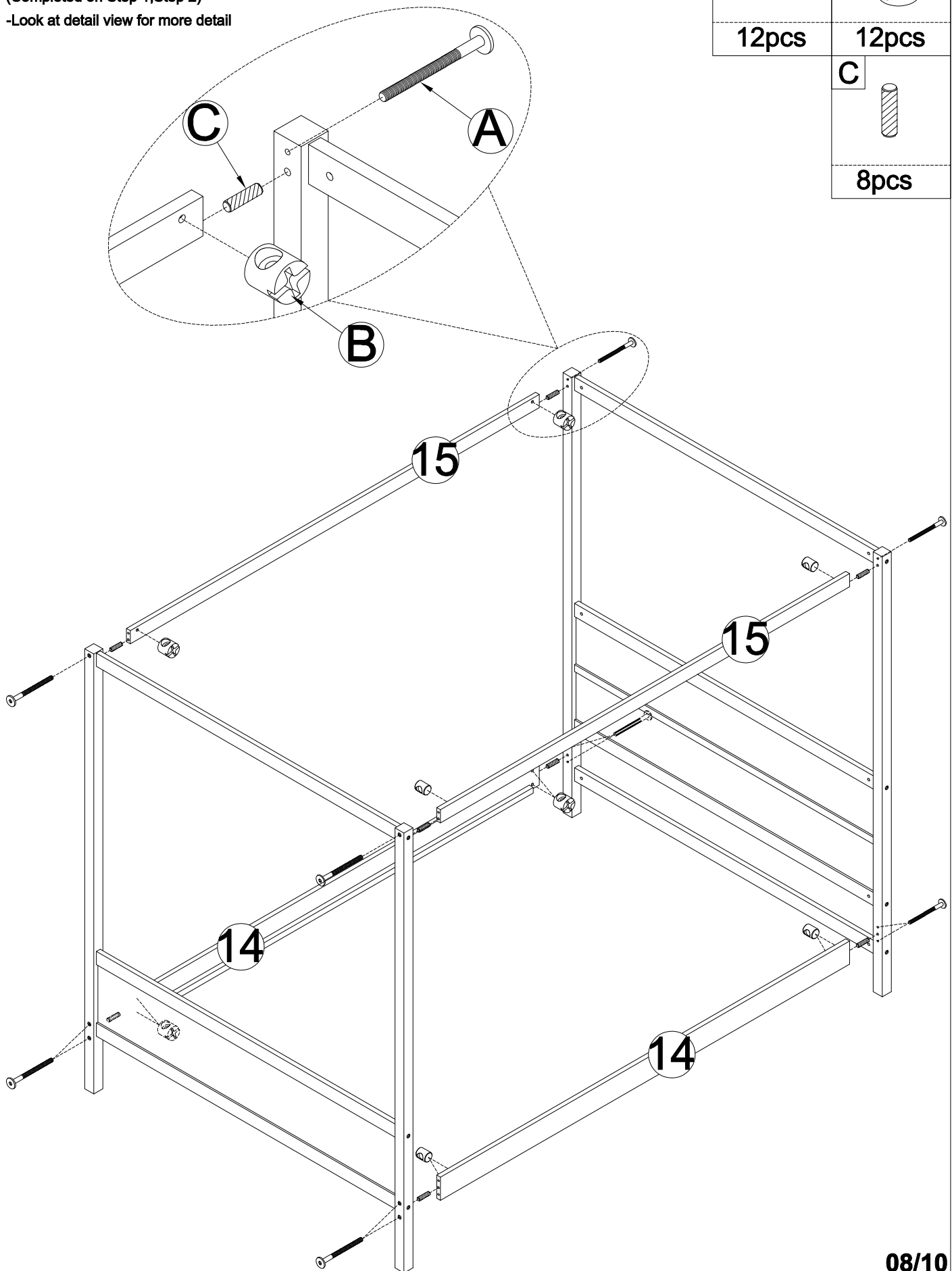


# STEP 3: Following below illustration:

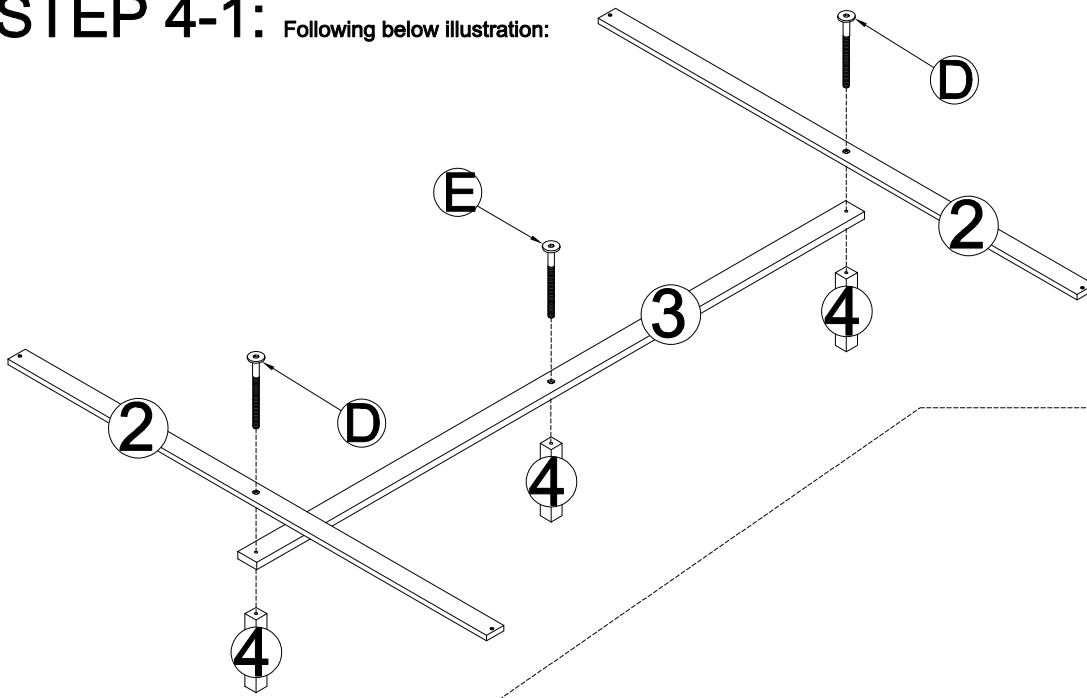
-Using hardware #A,#B and Dowel C Connect 14(x2) Side Rails and 15(x2) Rails With Frames  
(Completed on Step 1, Step 2)




-Look at detail view for more detail

<b>A</b>  12pcs	<b>B</b>  12pcs
<b>C</b>  8pcs	

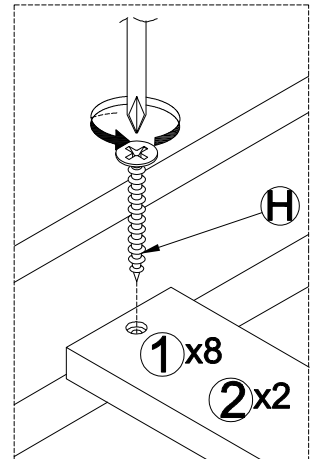
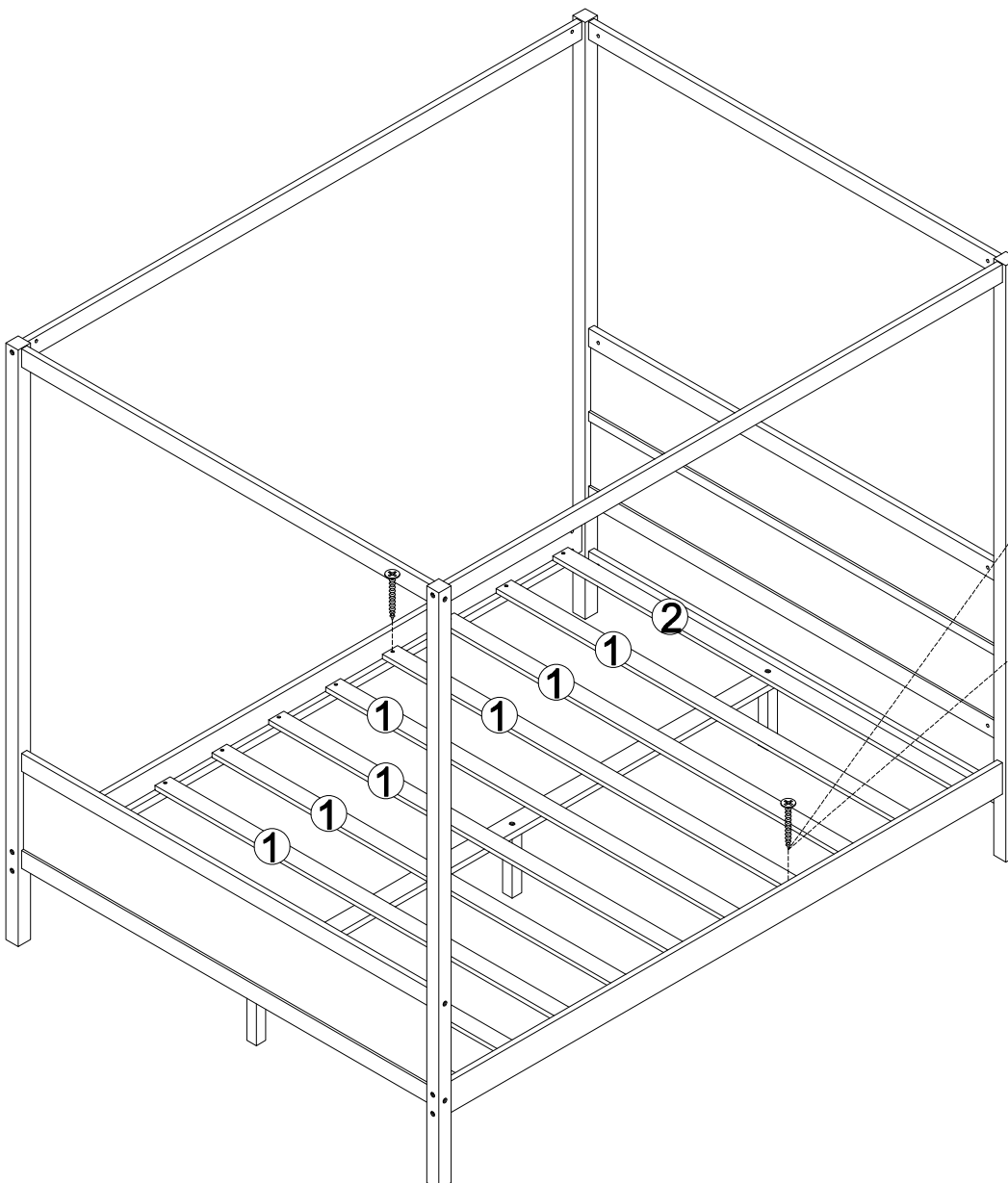


**STEP 4-1:** Following below illustration:



<b>D</b>	
	2pcs
<b>E</b>	
	1pc
<b>F</b>	
	20pcs

**STEP 4-2:** Following below illustration:



**CONGRARULATION. YOU HAVE COMPLETED THE BED**

