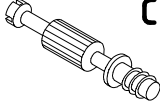
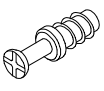
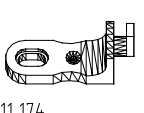

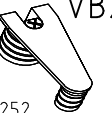
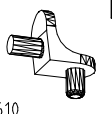

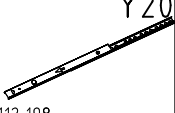
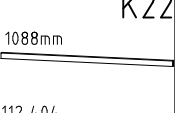
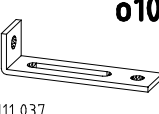
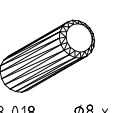
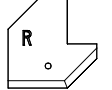
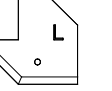
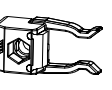
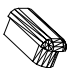
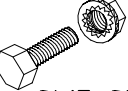
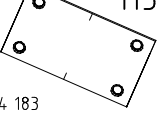

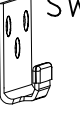
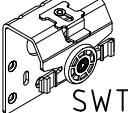
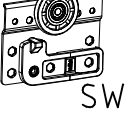
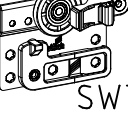
 111 102	<b>A</b> 14 x
 111 103	<b>C</b> 14 x
 111 229	<b>F</b> 4 x
 111 174	<b>J1</b> 5 x

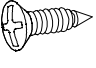
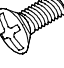

 117 001	<b>K1</b> 2 x
 111 252	<b>VB23</b> 4 x
 111 610	<b>L7</b> 16 x
 163 007	<b>Z</b> 2 x

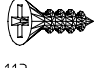


 112 198	<b>Y20</b> 6 x
 112 404	<b>K22</b> 1088mm 1 x
 111 037	<b>o10</b> 1 x
 353 018	<b>D</b> ø8 x 30 2 x

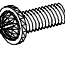
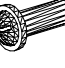

 <b>R</b>	<b>SWH-SKR</b> 1 x
 <b>L</b>	<b>SWH-SKL</b> 1 x
	<b>SWT-ST</b> 2 x
	<b>SW-AK</b> 5 x



 <b>SWT-SM5</b>	2 x
 114 183	<b>H5</b> 8 x
	<b>SWH 6</b> 2 x
	<b>SWH 7</b> 2 x


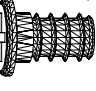
 <b>SWT 1</b>	2 x
 <b>SWT 2</b>	1 x
 <b>SWT 8</b>	1 x

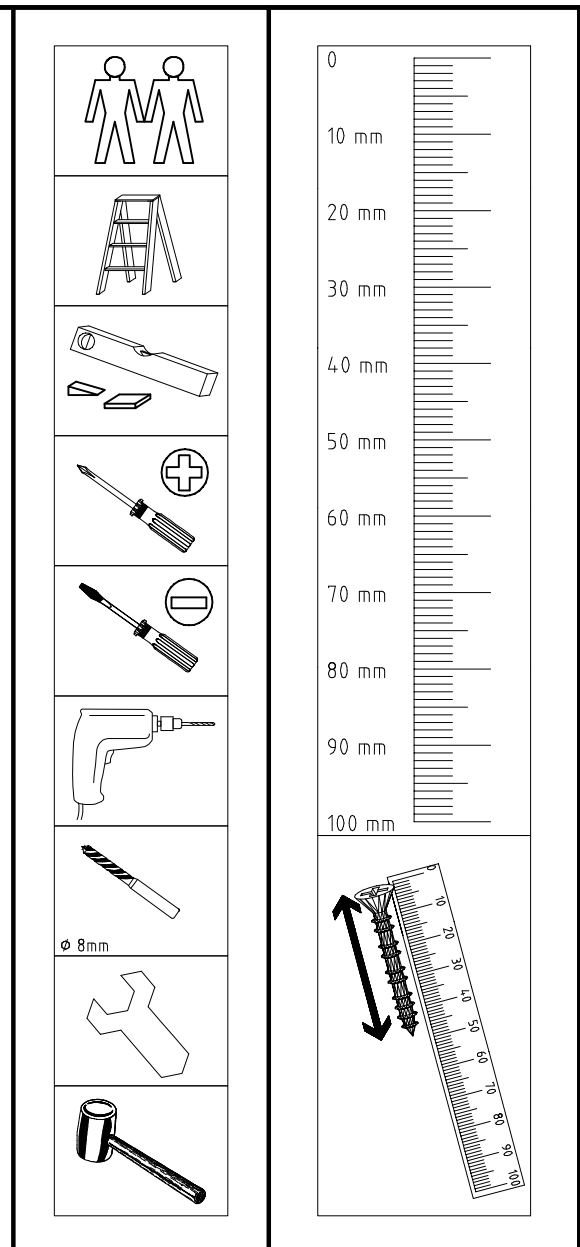
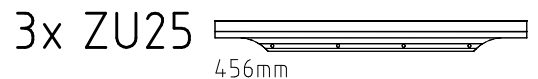
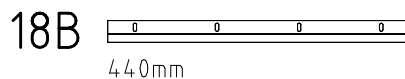
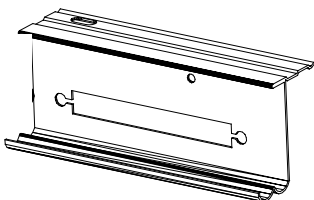
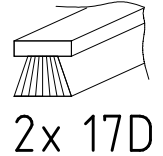
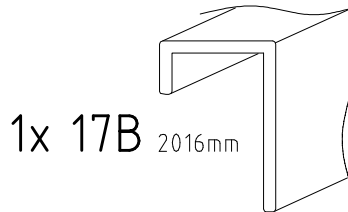
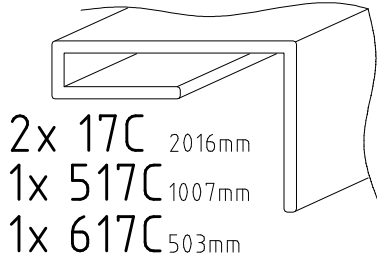
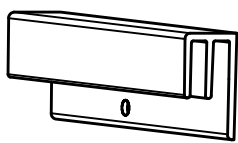
 121 370	<b>G1</b> 3,5 x 15 mm 13 x
 111 015	<b>G8</b> M4 x 9 mm 6 x
 121 375	<b>G14</b> 3,5 x 35 mm 12 x

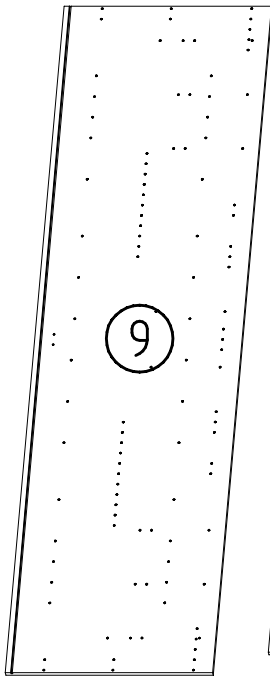
 121 113	<b>G21</b> 3 x 13 mm 12 x
 121 004	<b>G24</b> 3,5 x 22 mm 9 x
 121 374	<b>G25</b> 3,5 x 40 mm 7 x

 121 xxx	<b>G43</b> M4 x 10 mm 5 x
 121 xxx	<b>GH13</b> M4 x 13 mm 5 x
 121 122	<b>SP13</b> 4 x 13 mm 74 x

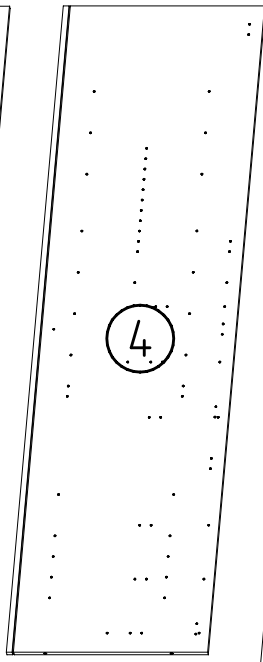
 121 120	<b>SP15</b> 4 x 15 mm 1 x
 111 030	<b>T2</b> 6,3 x 10,5 mm 24 x

 112 616	<b>T3</b> M6 x 10 6 x
 121 181	<b>T6</b> M6 x 11 mm 4 x

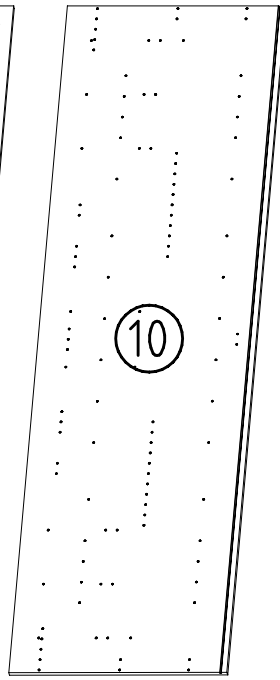





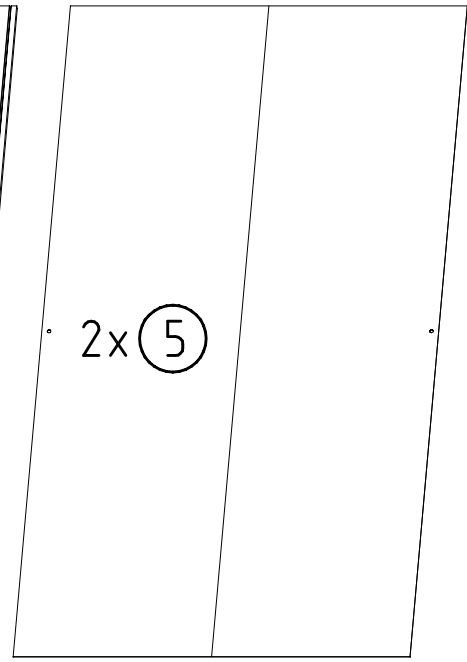
2064x577x15



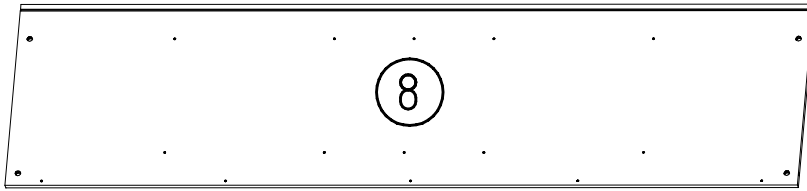
2001x560x15



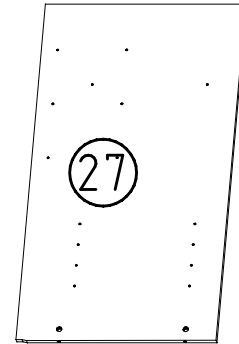
2064x607x15



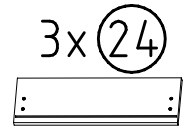
2015x1104x2,5



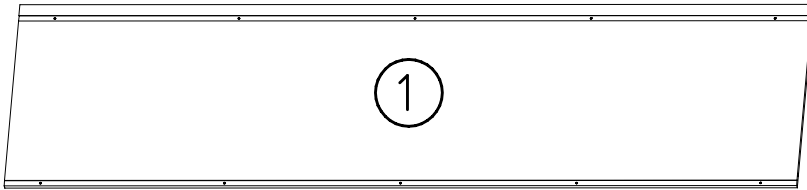
2205x560x15



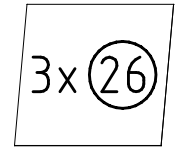
1041,5x557x15



456x138x15

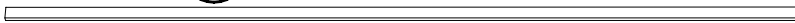


2205x560x15



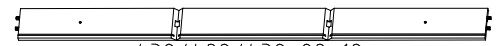
437x408x2,5

2x (2)

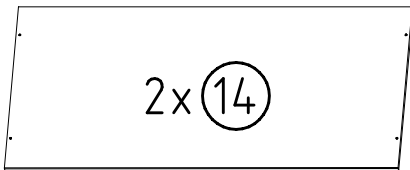


2204x32x15

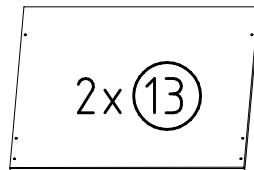
3x (25)



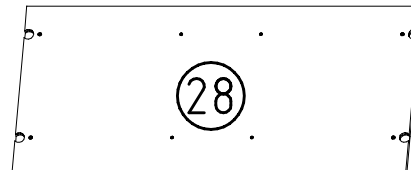
439/422/439x92x12



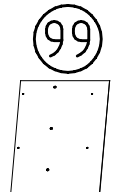
1095x500x18



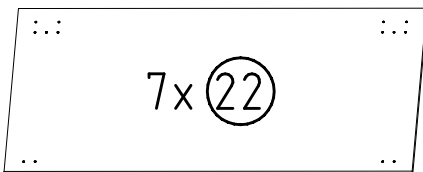
651x500x18



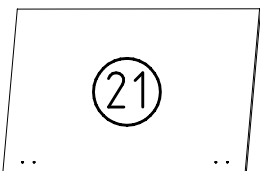
1095x540x18



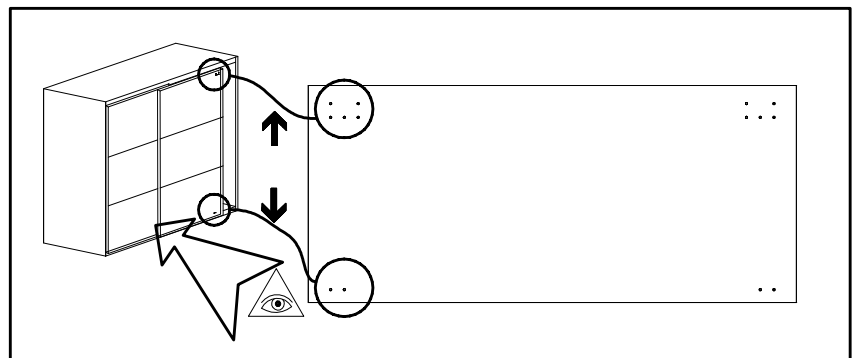
385x247x2,5

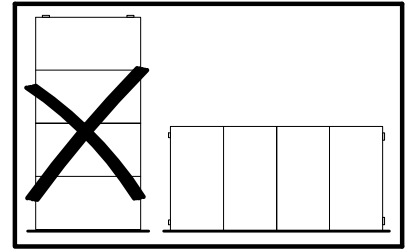
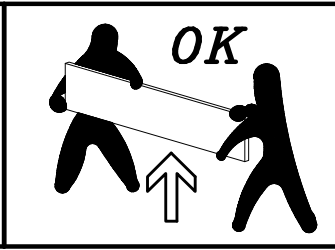
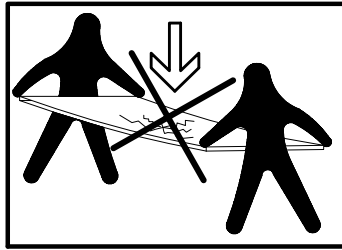
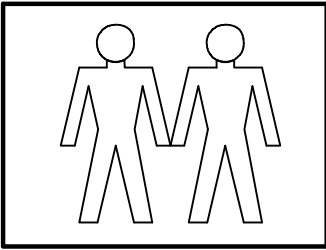


1135x504x15

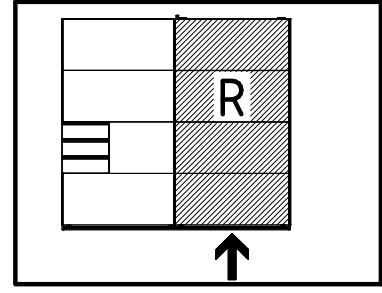
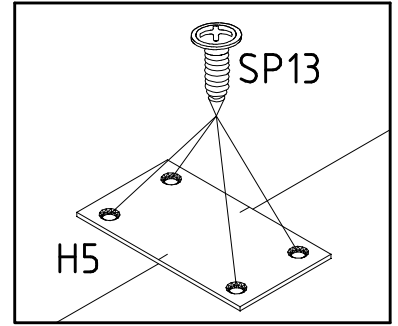
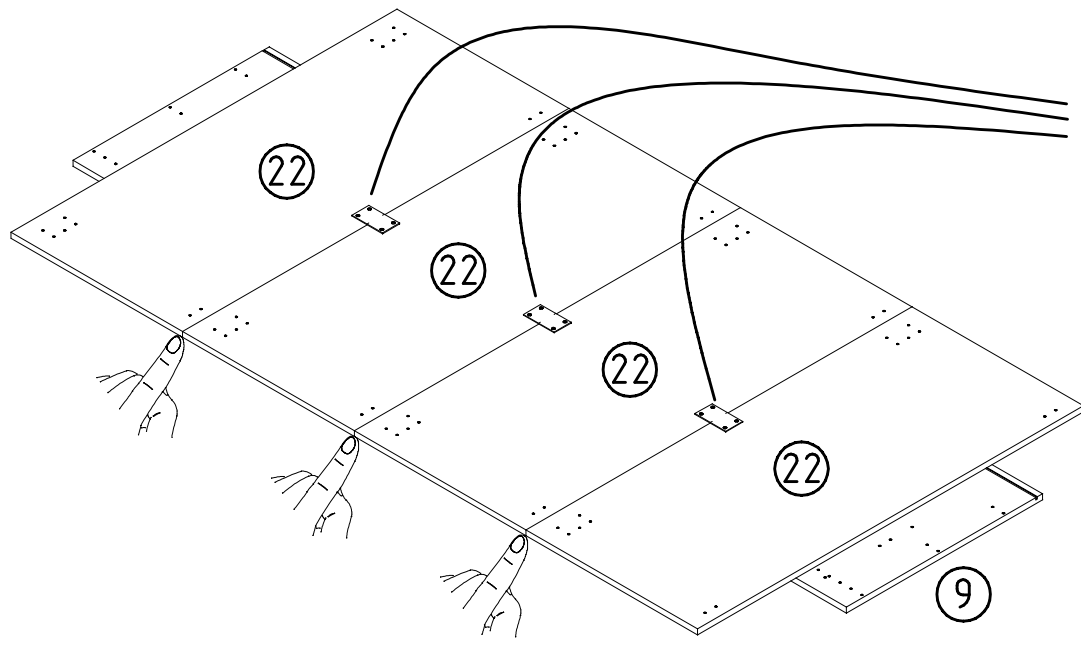
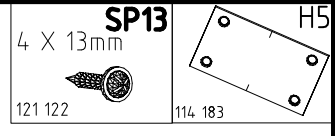


764x504x15

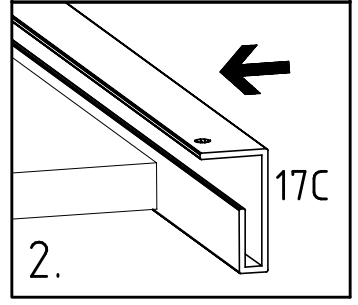
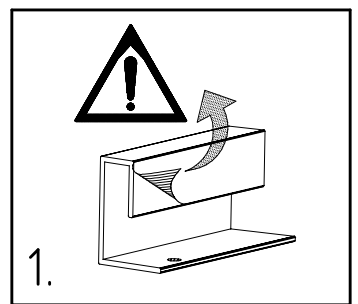
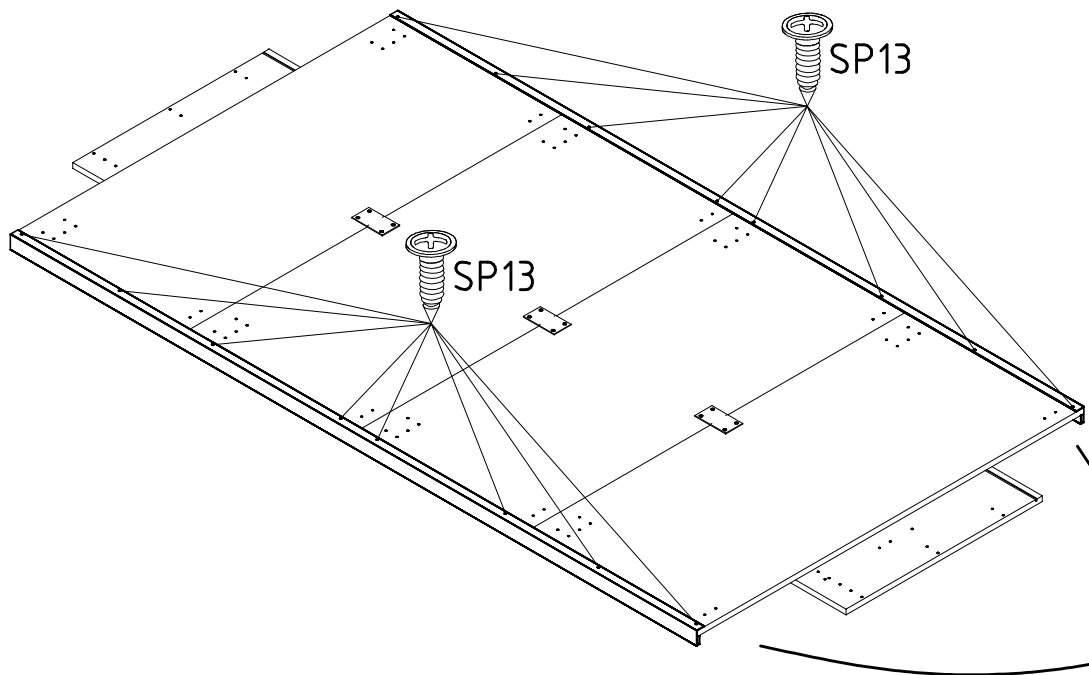
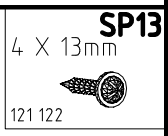
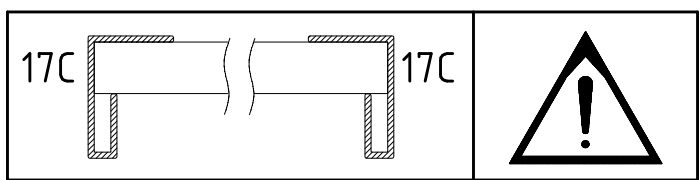




1



2



3

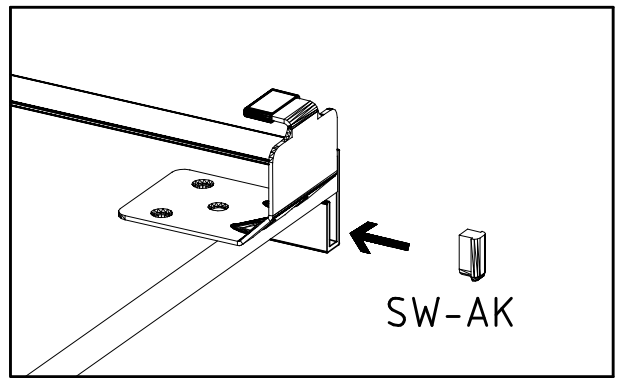
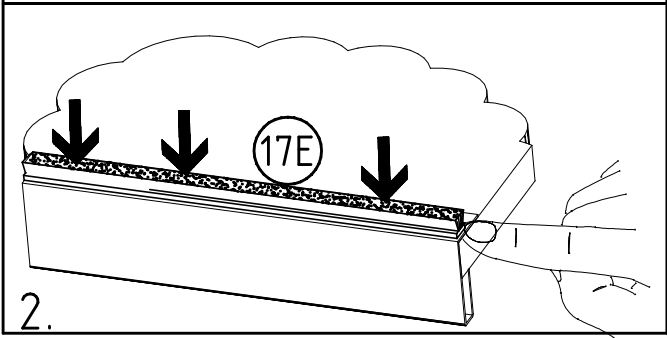
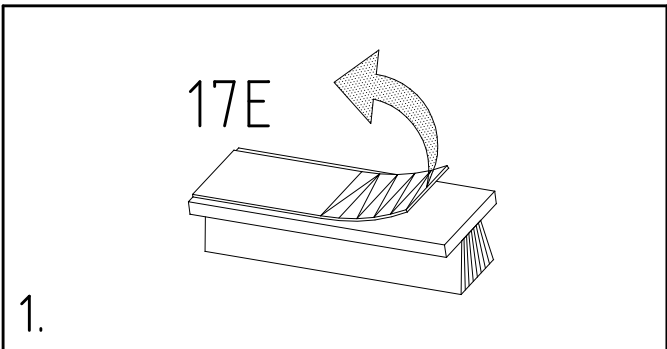
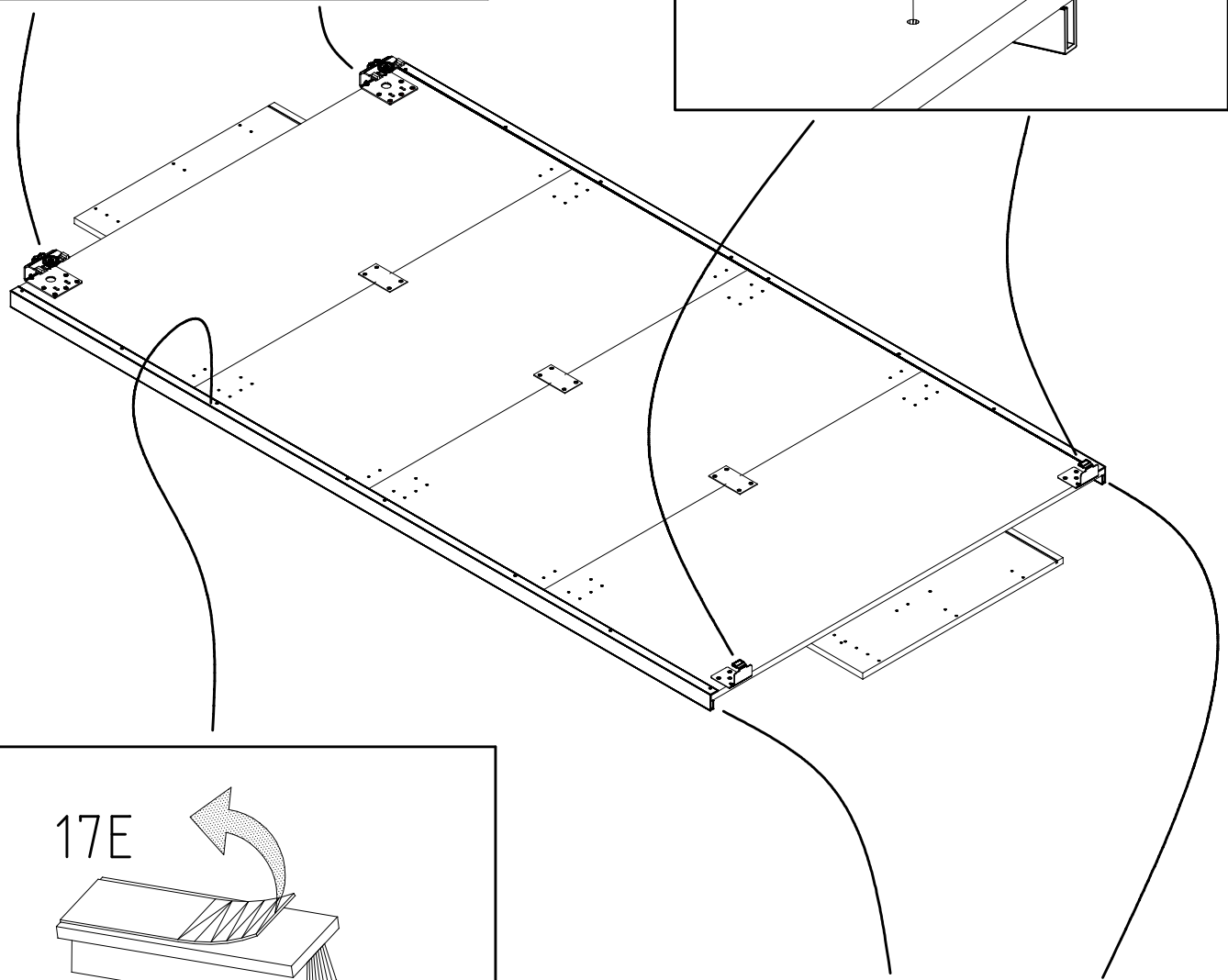
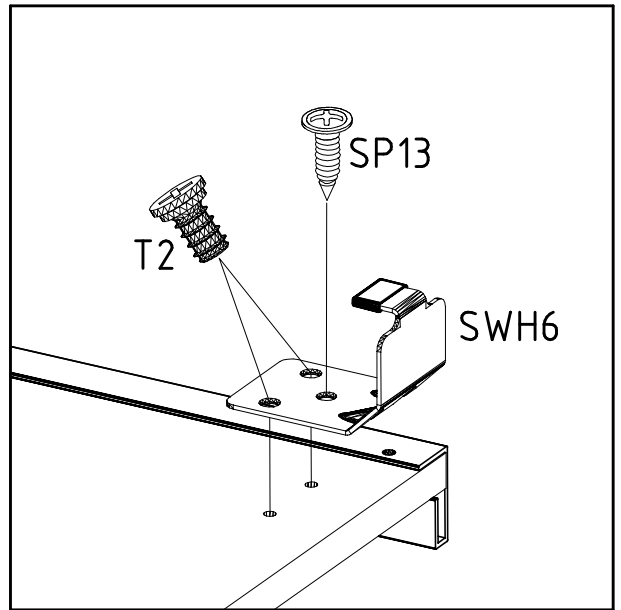
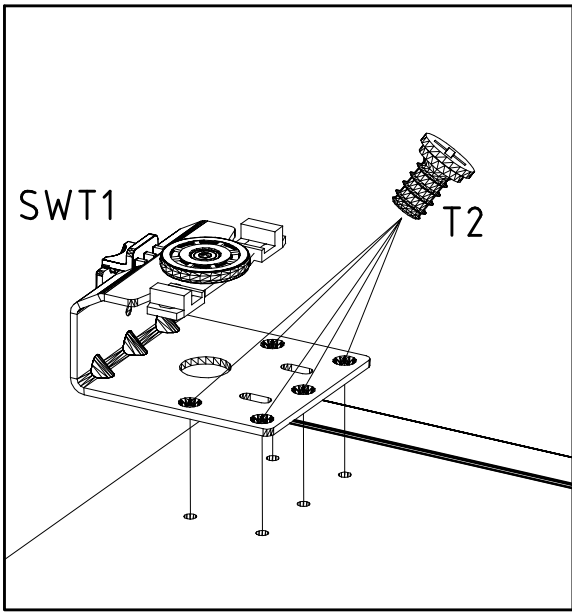
SP13 4 X 13mm  
121 122

6,3 x 10,5 mm T2  
111 030

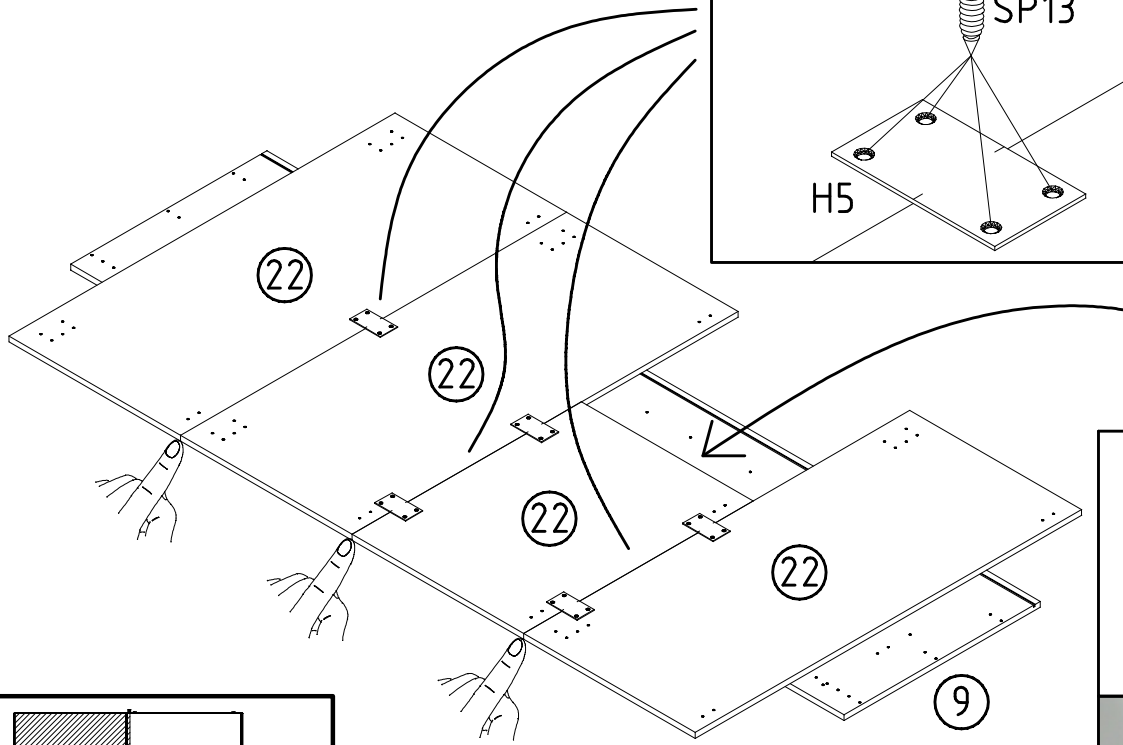
SW-AK

SWH 6

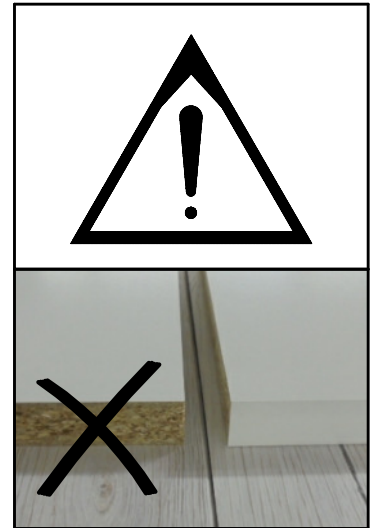
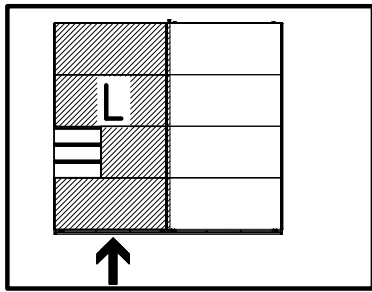
SWT 1



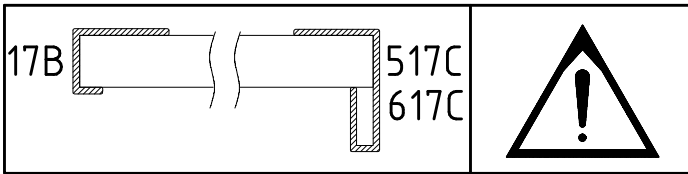
4



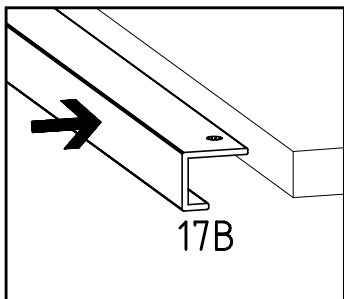
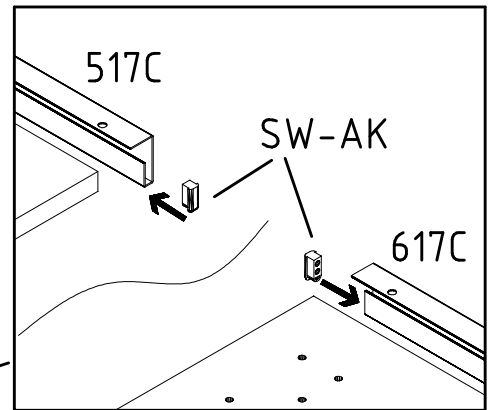
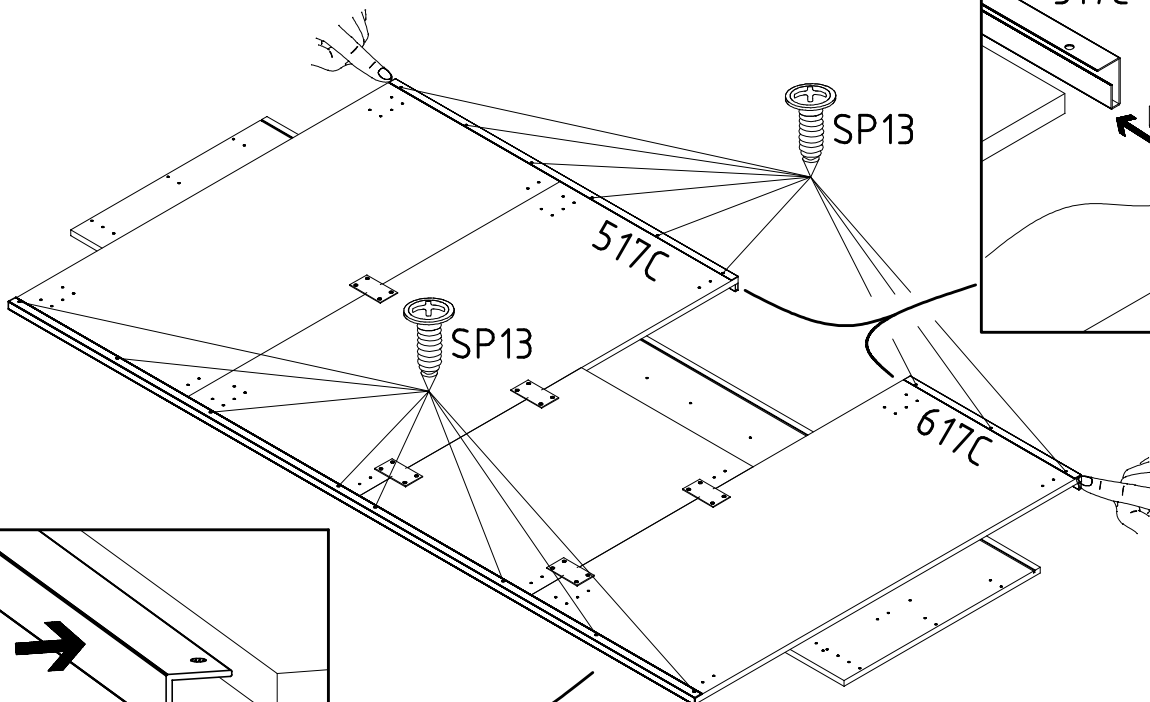
4 X 13mm	<b>SP13</b>	H5
121 122		114 183



5



4 X 13mm	<b>SP13</b>	SW-AK
121 122		



6

3,5 x 15 mm

G1



121 370

4 X 13mm

SP13



121 122

6,3 x 10,5 mm

T2

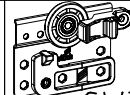


111 030

SW-AK



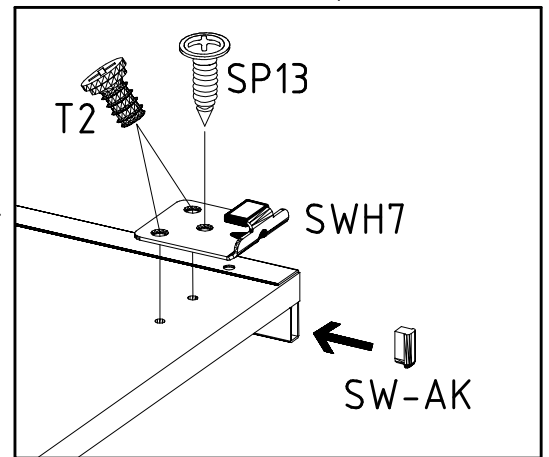
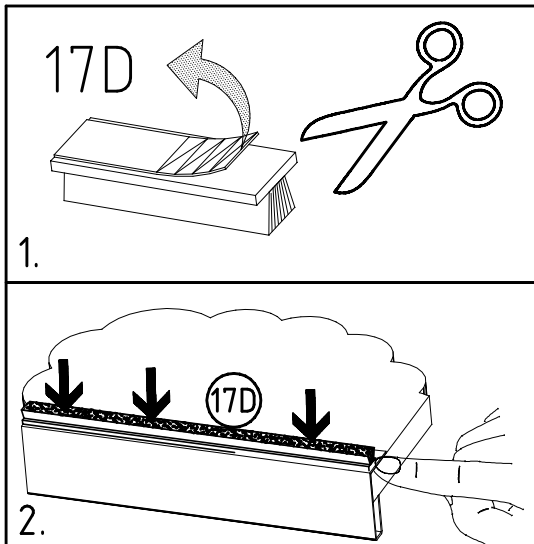
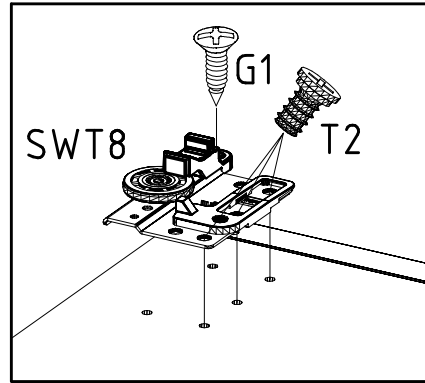
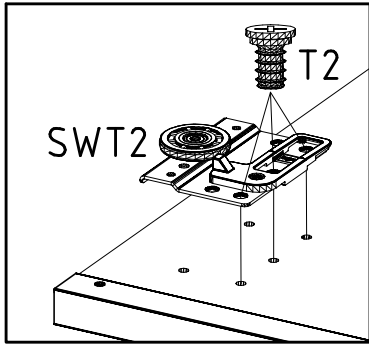
SWH 7



SWT8



SWT2



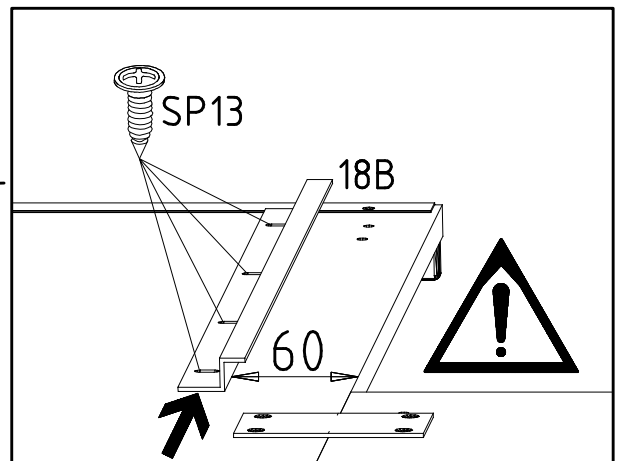
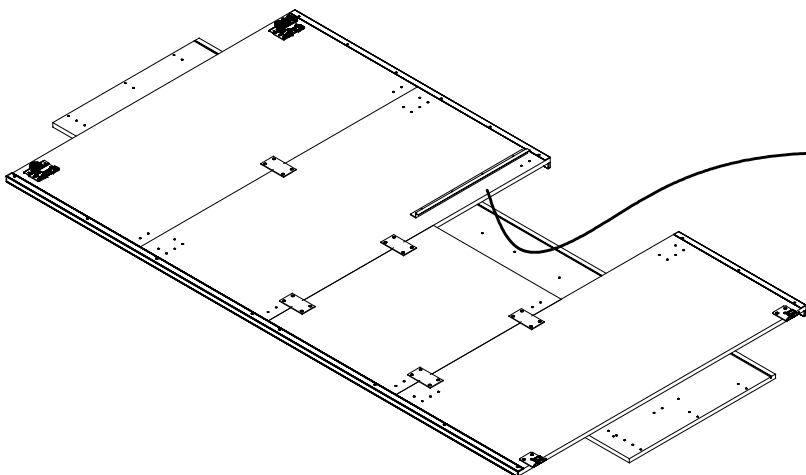
7

4 X 13mm

SP13

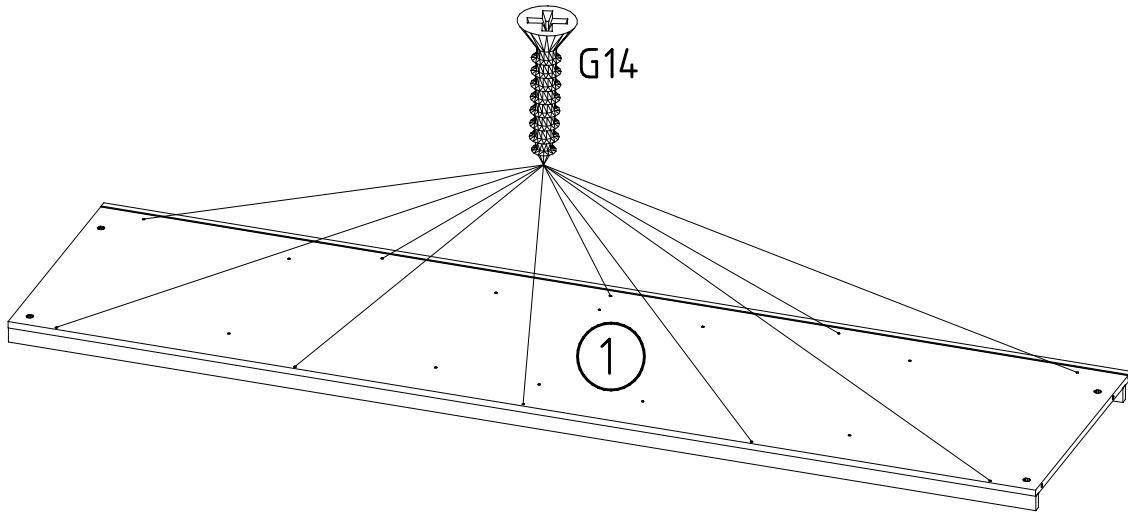
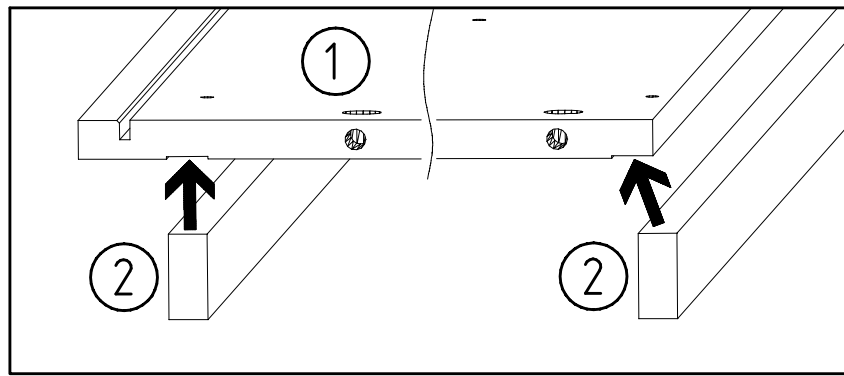


121 122



8

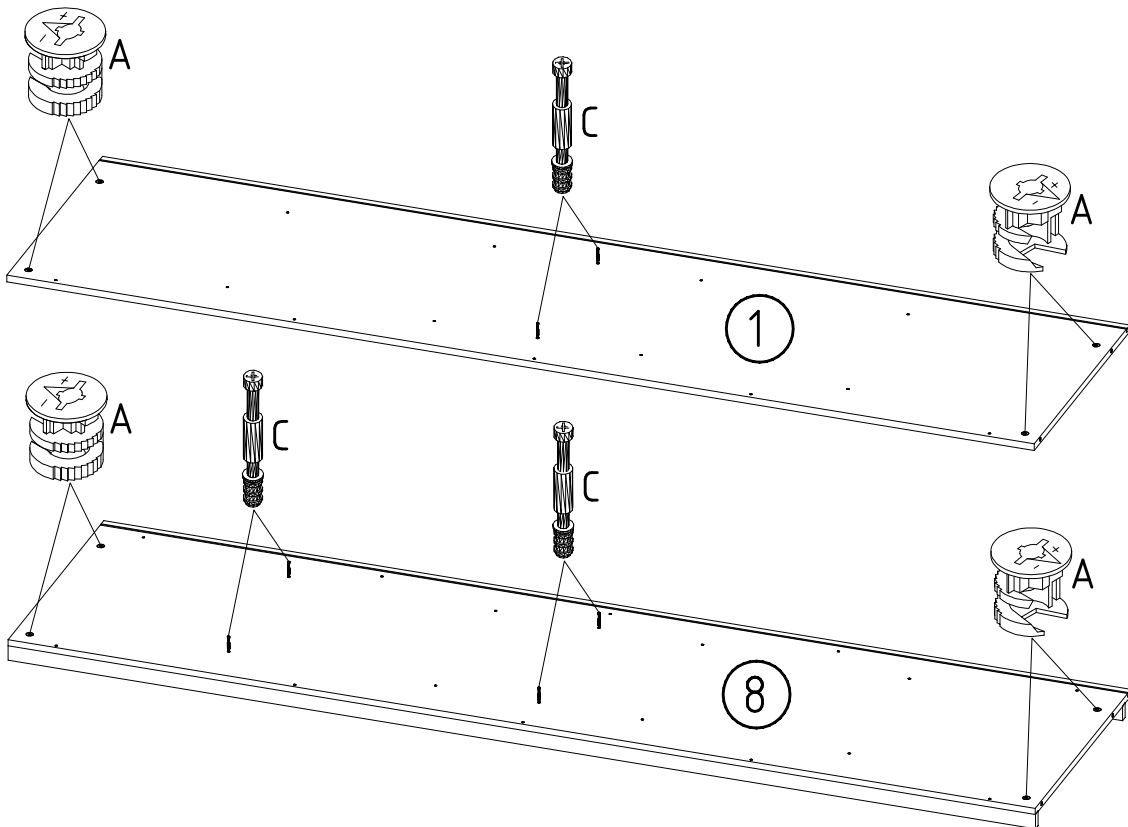
3,5 x 35 mm G14  
121 375



9

C  
111 103

A  
111 102



3,5 x 22 mm

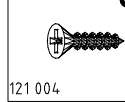
G24

SWH-SKL

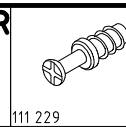
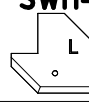
SWH-SKR

F

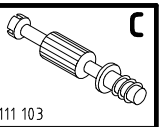
C



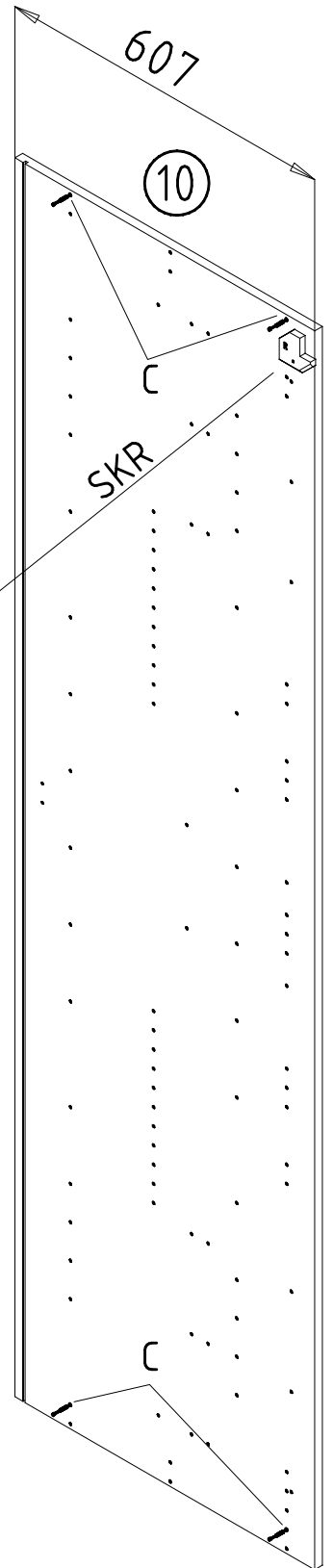
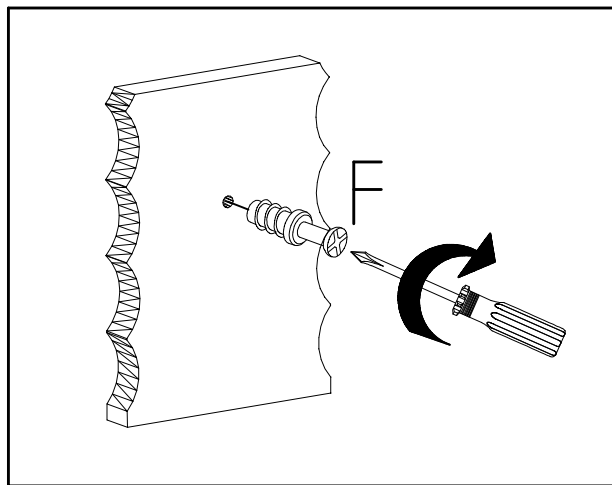
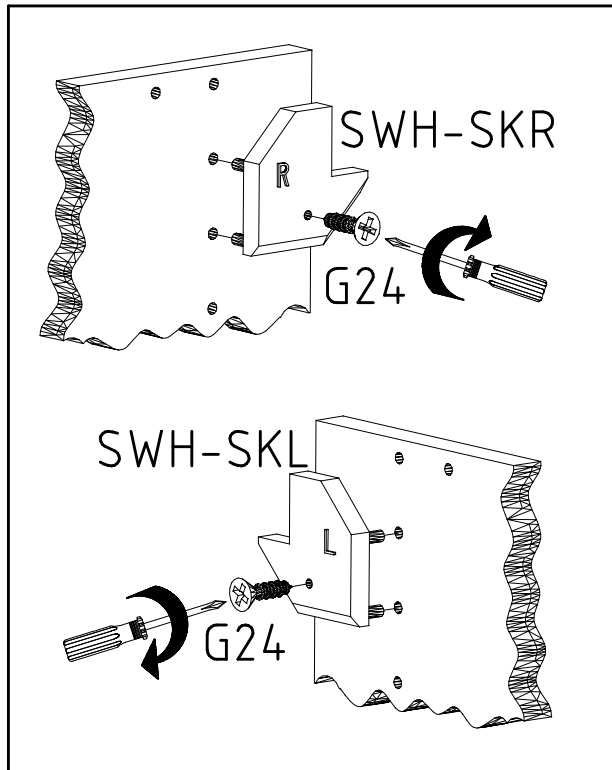
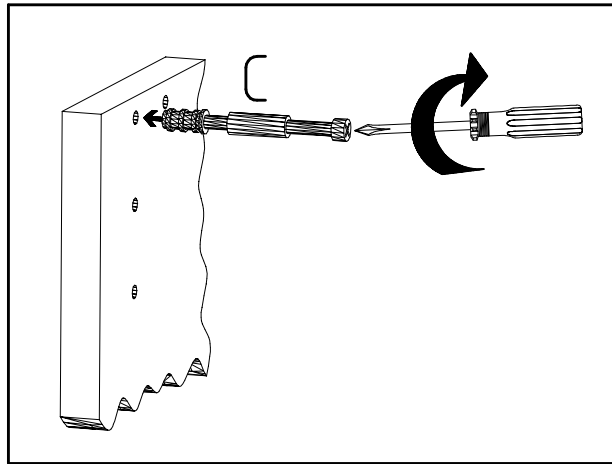
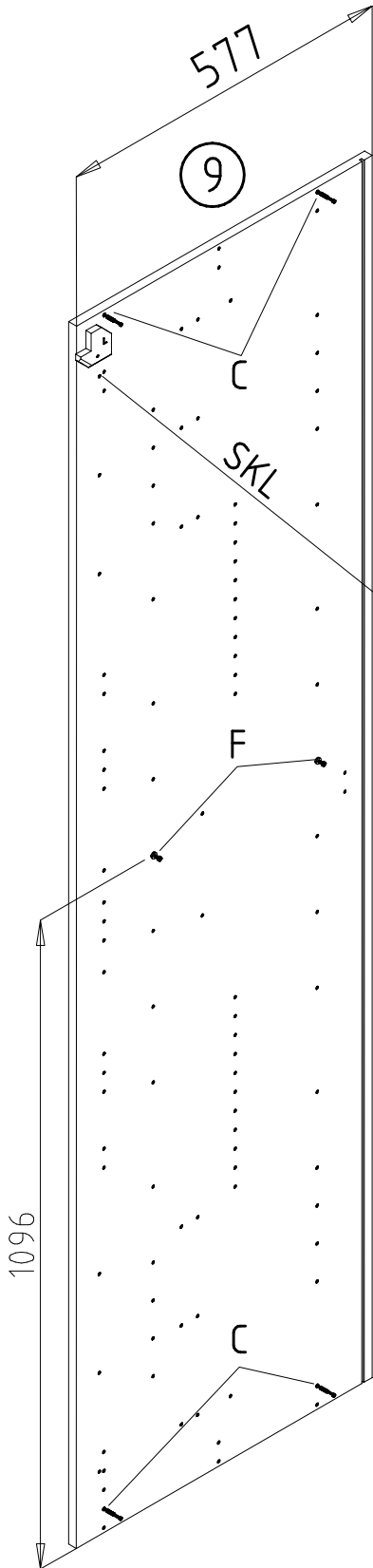
121 004

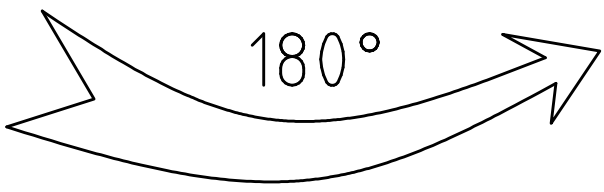
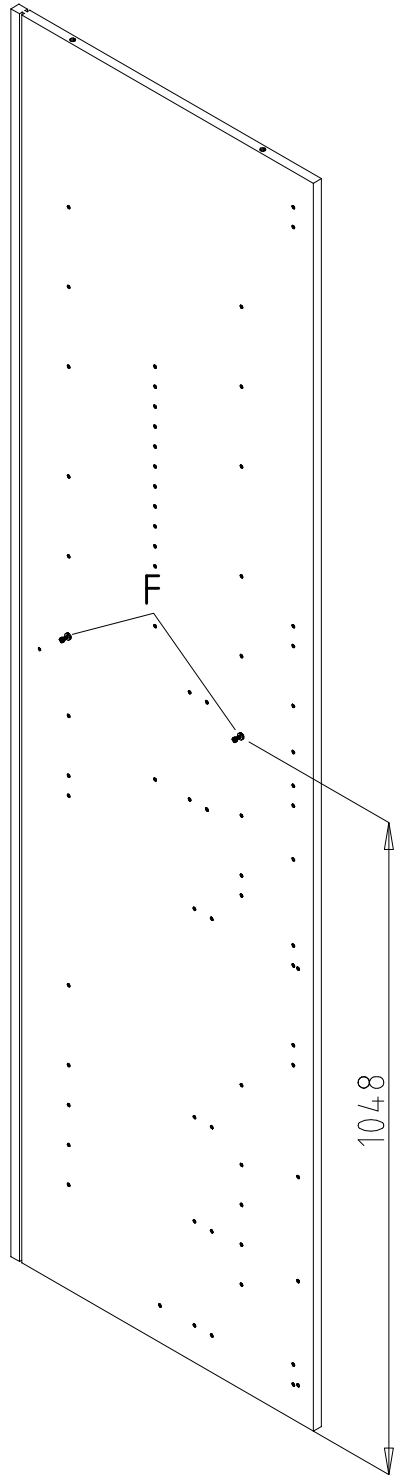
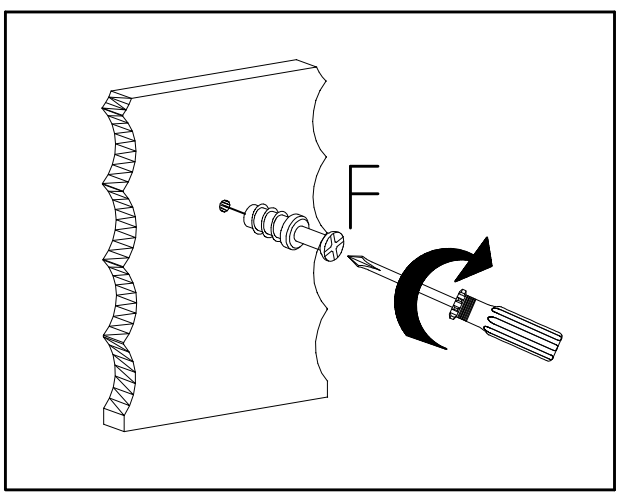
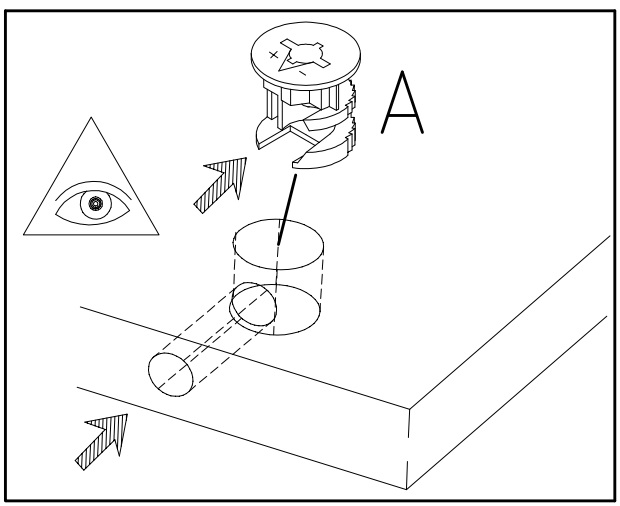
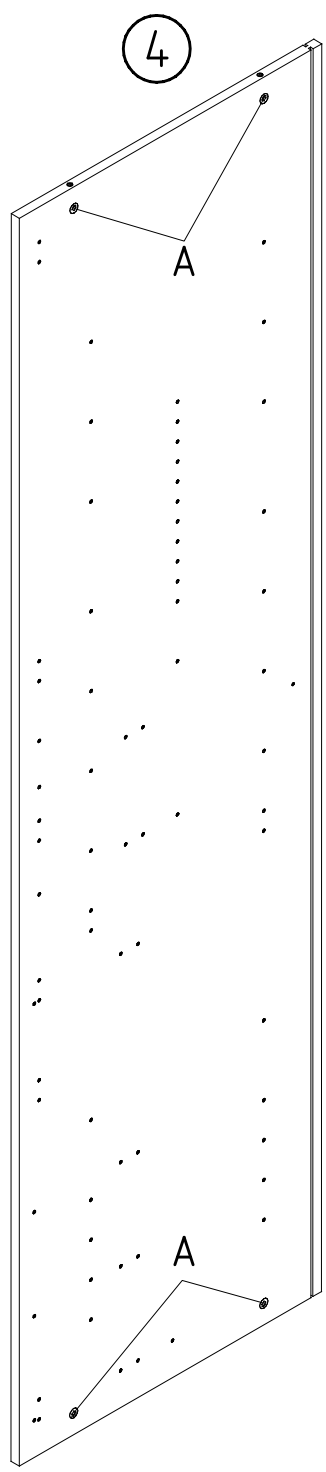


111 229

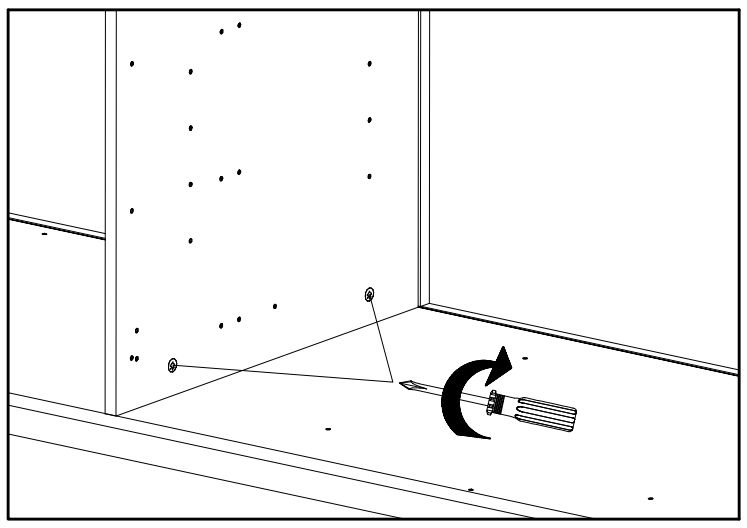
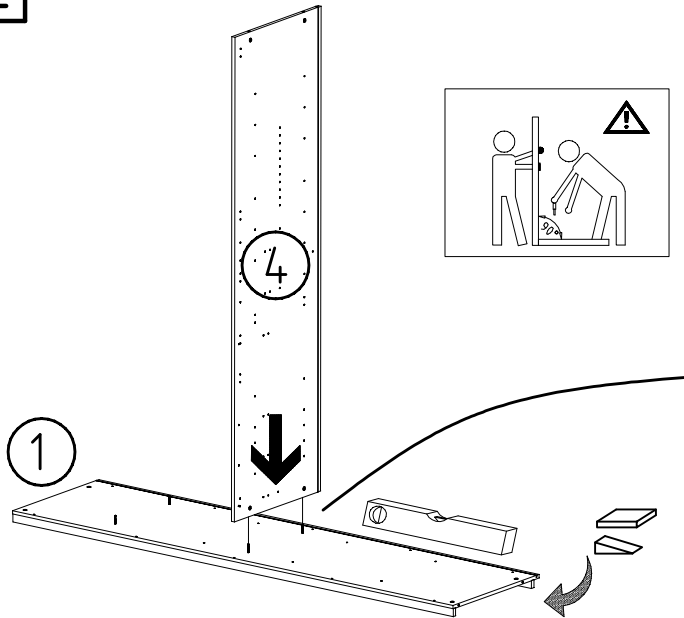


111 103

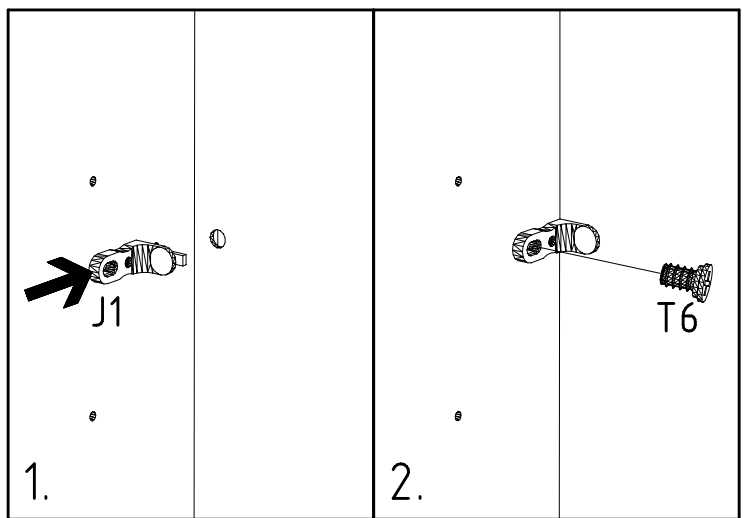
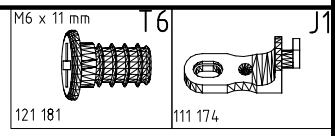
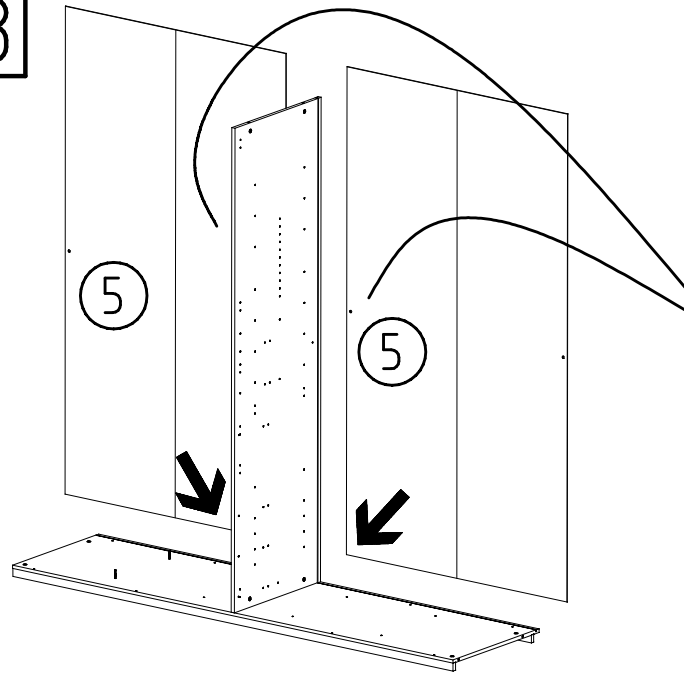




12

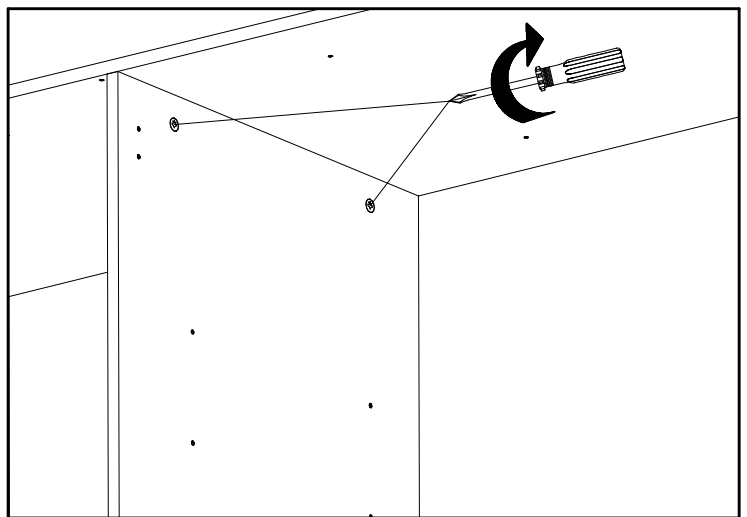
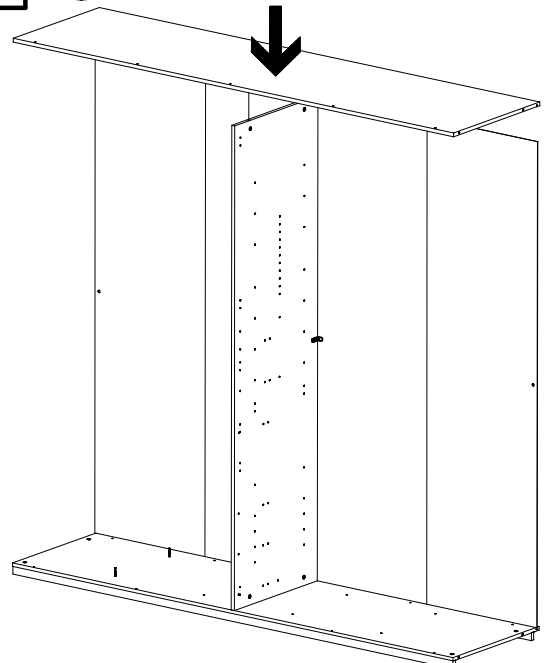


13

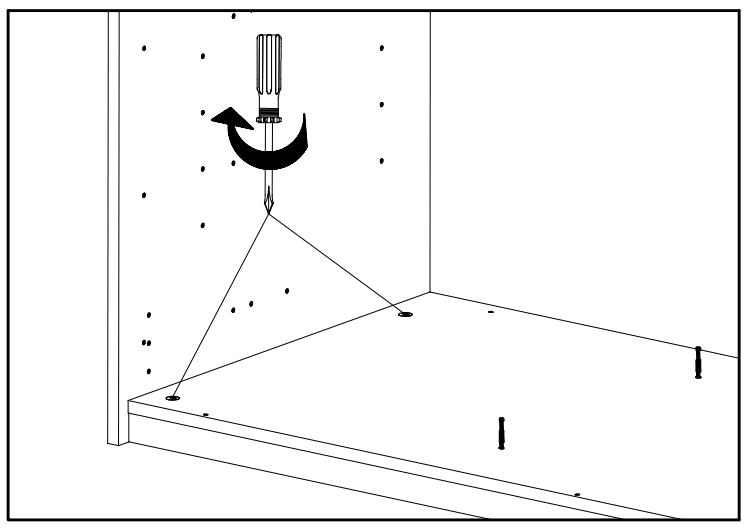
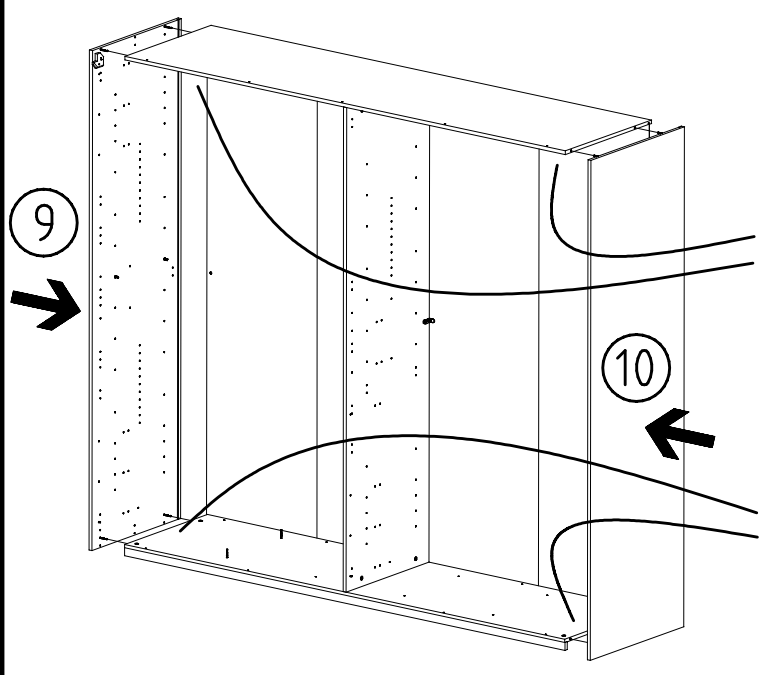


14

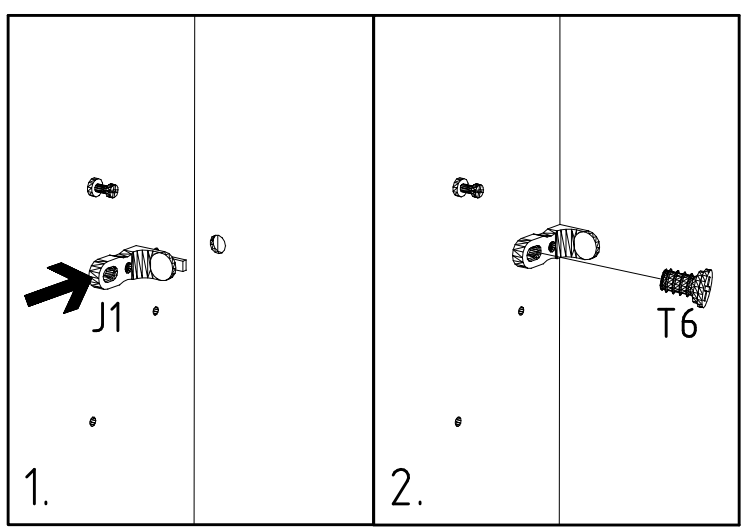
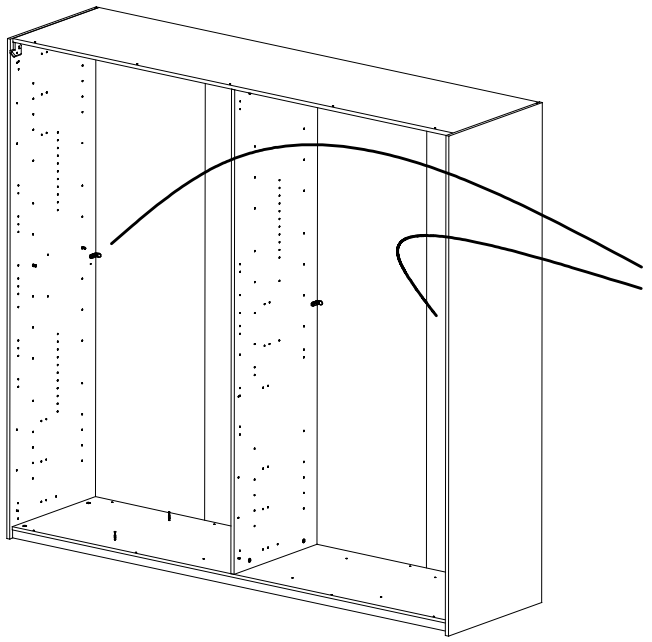
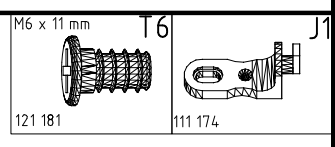
8



15

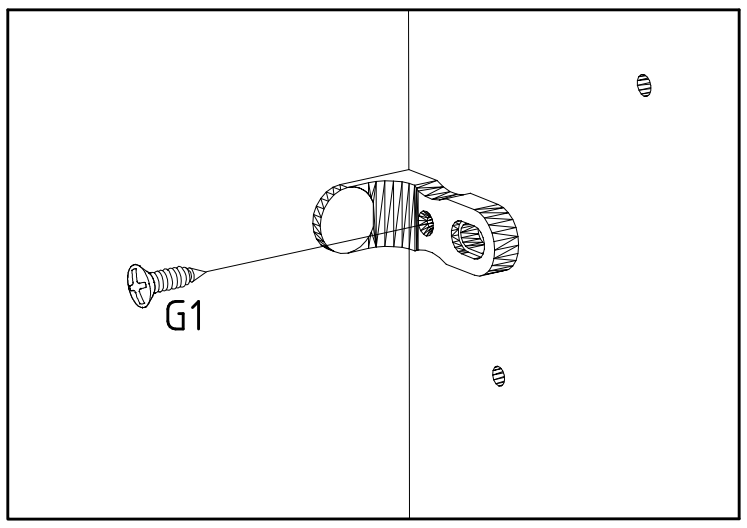
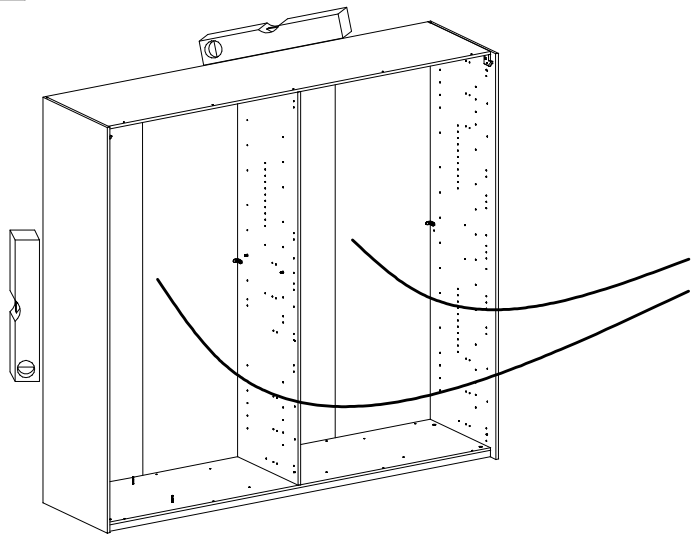


16



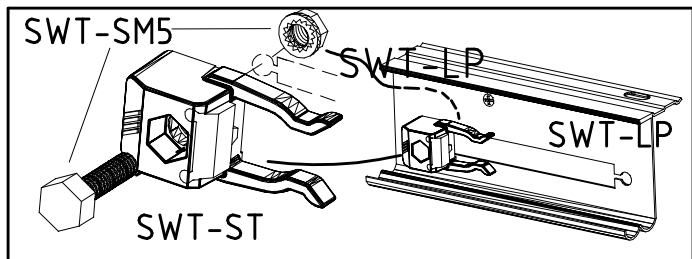
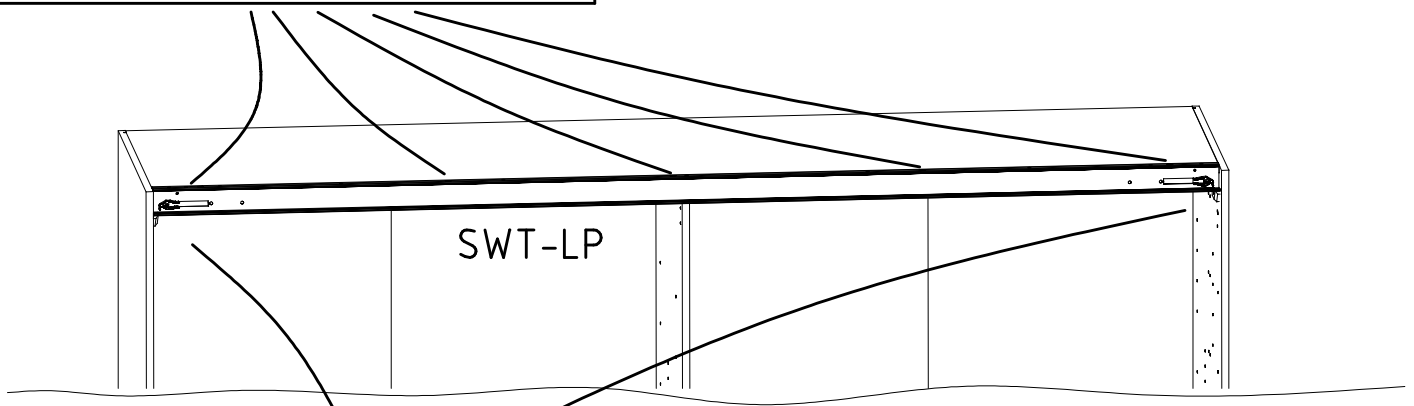
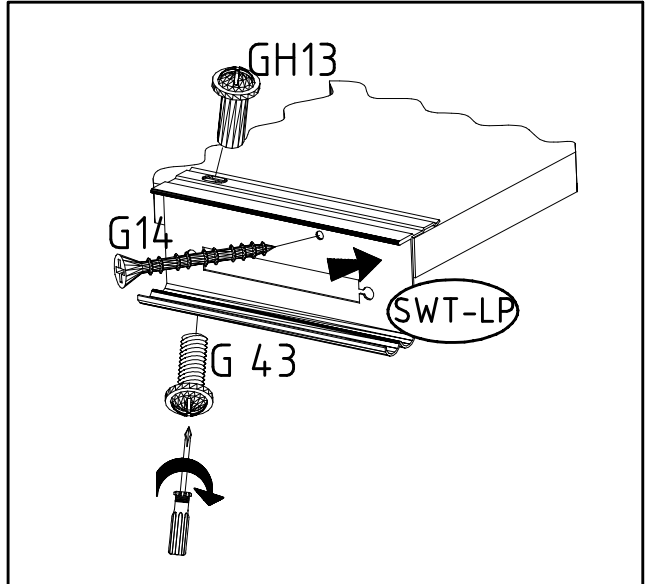
17

3,5 x 15 mm G1  
121 370



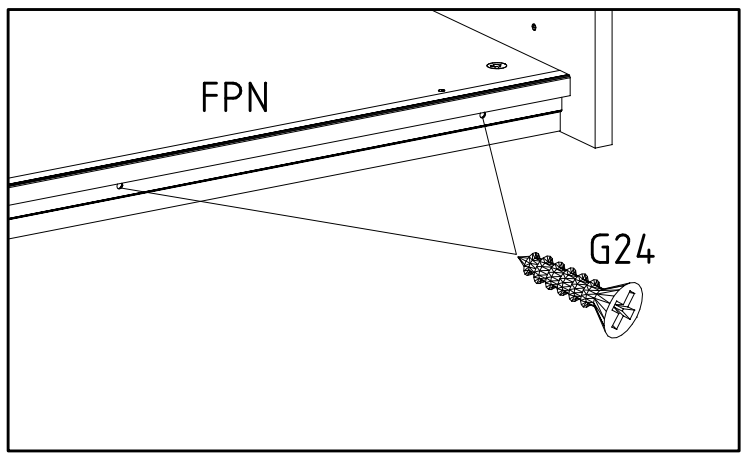
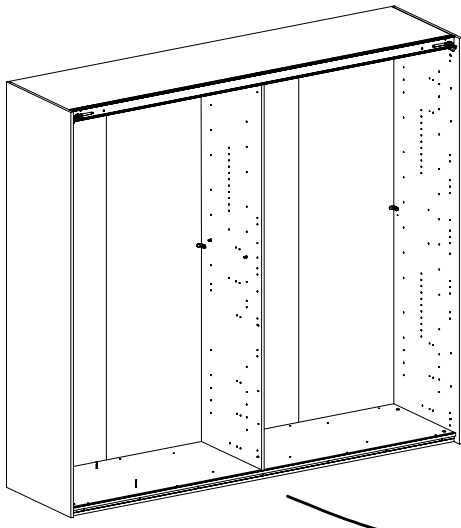
18

3,5 x 35 mm G14 121 375	M4 x 13 mm GH13 121 xxx	M4 x 10 mm G43 121 xxx	SWT-SM5	SWT-ST
-------------------------------	-------------------------------	------------------------------	---------	--------

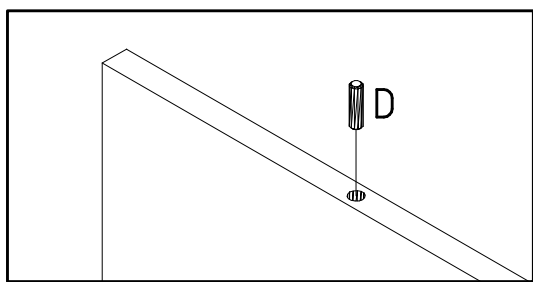


19

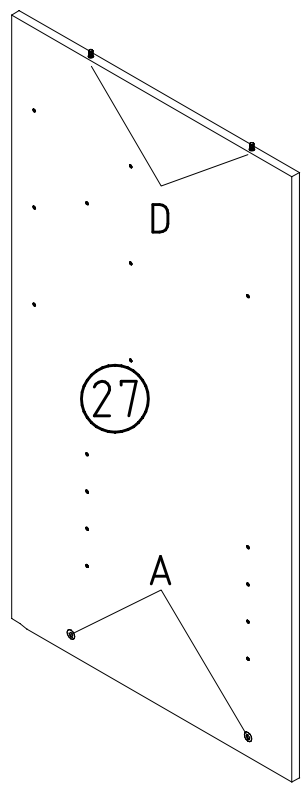
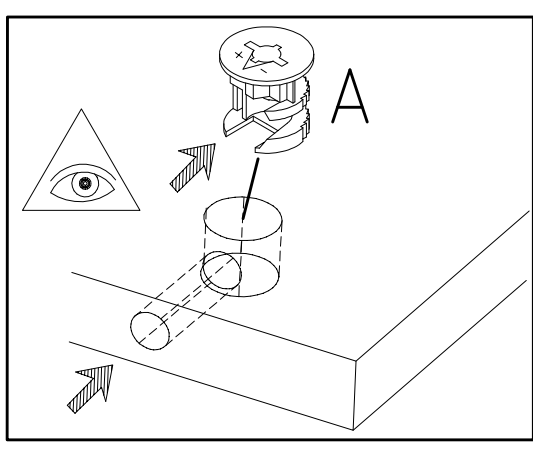
3,5 x 22 mm **G24**  
121 004



20

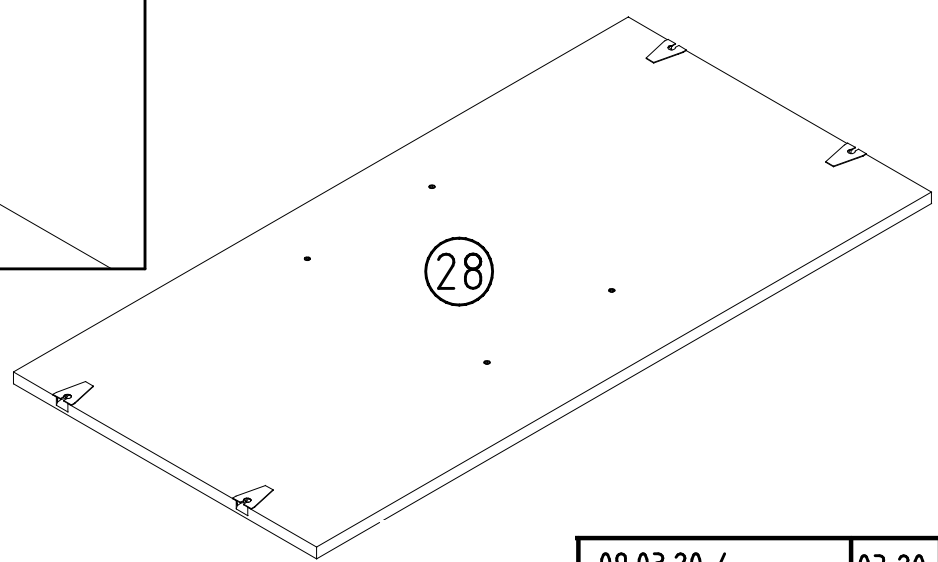
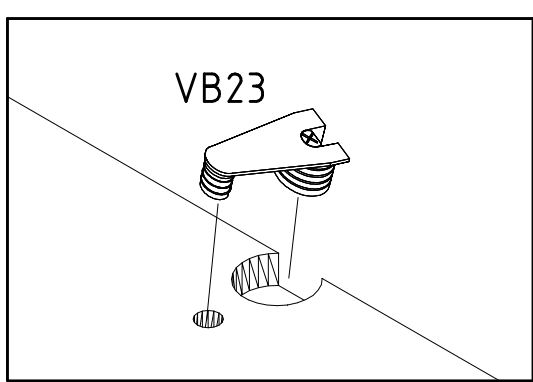


**D**  
353 018  $\varnothing 8 \times 30$  111 102 **A**

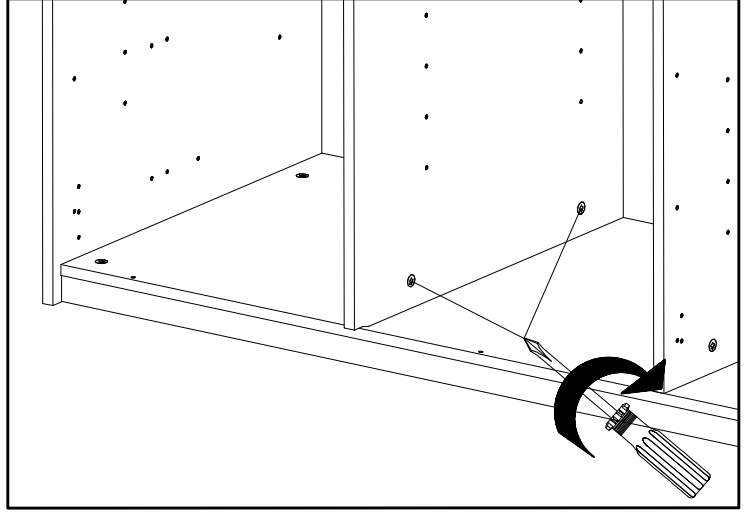
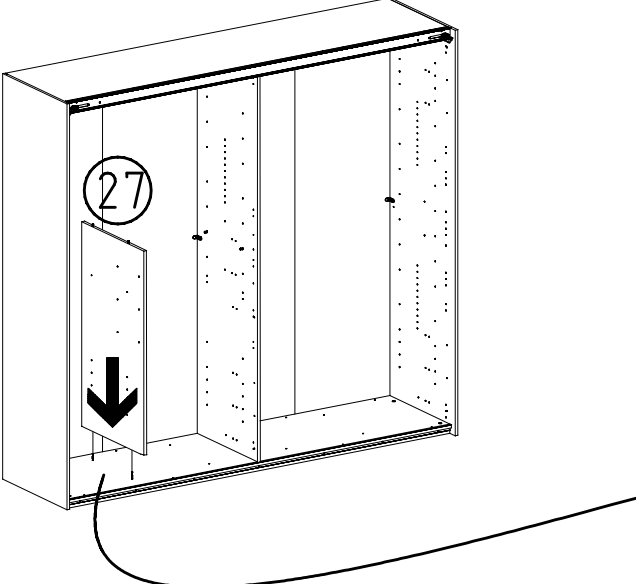


21

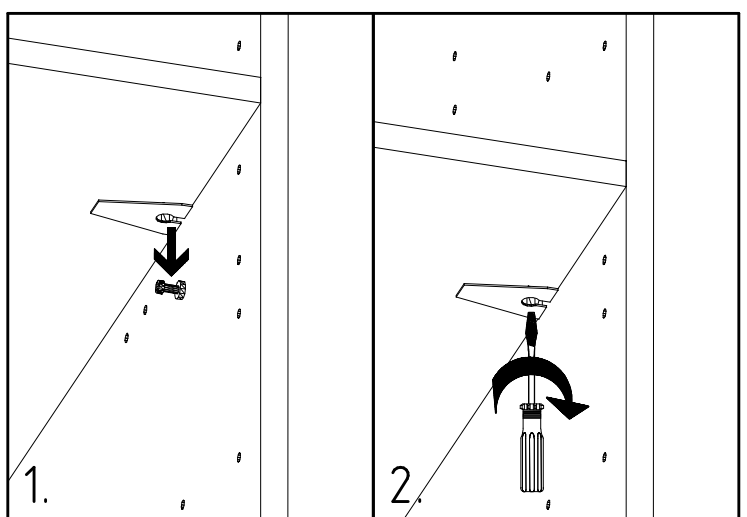
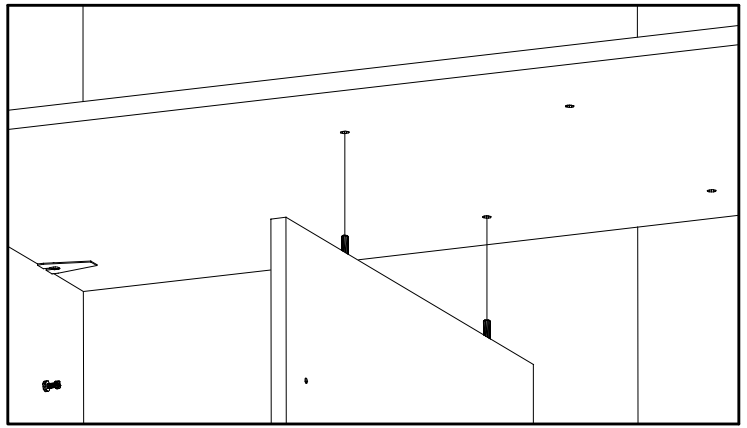
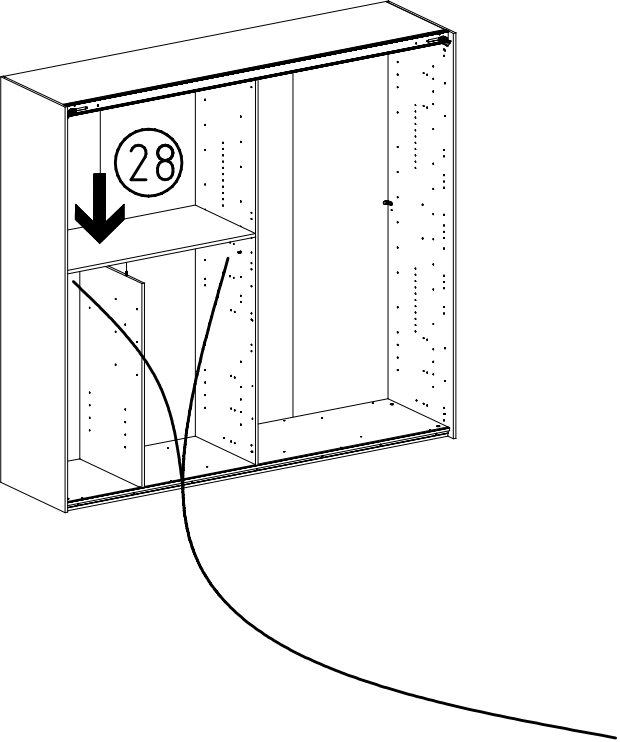
**VB23**  
111 252



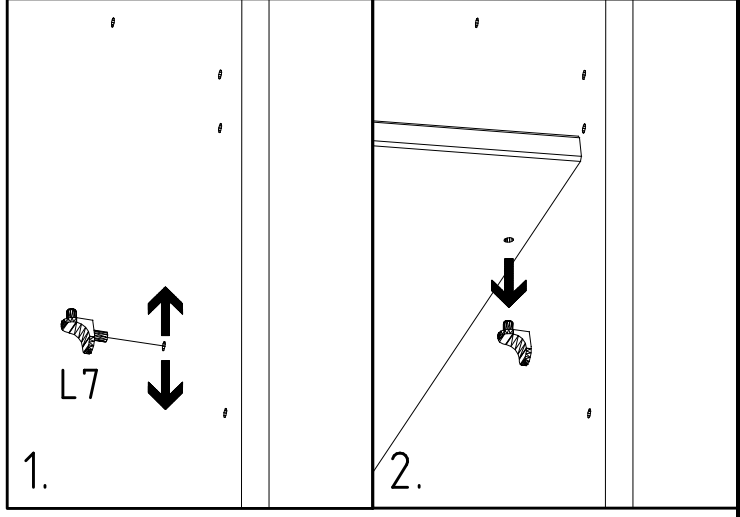
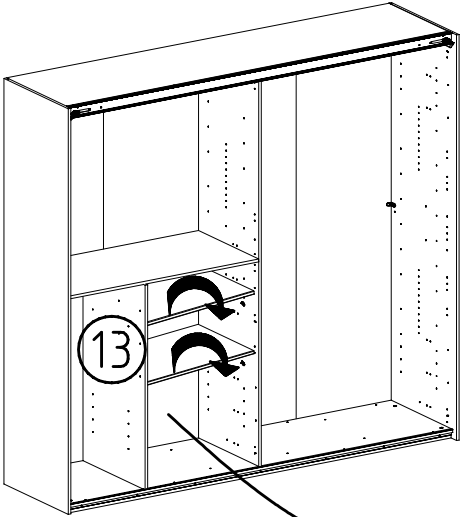
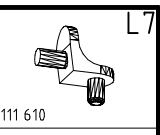
22



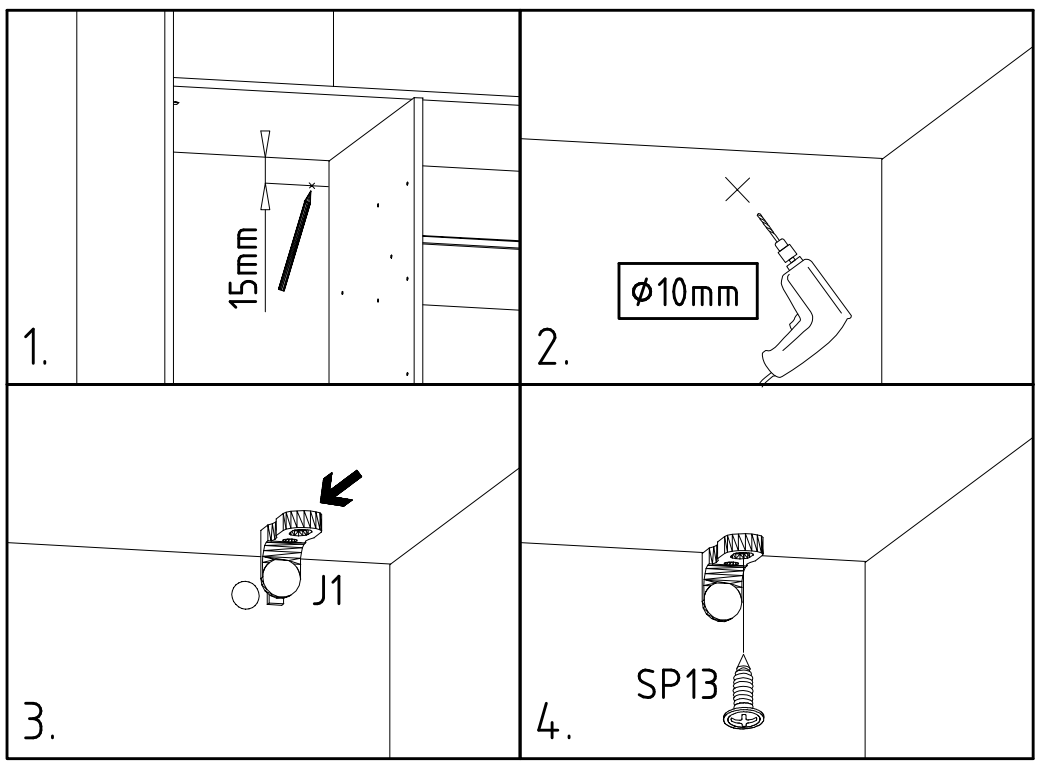
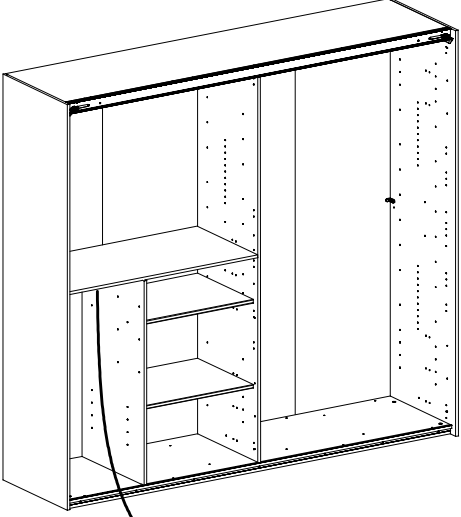
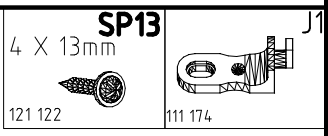
23



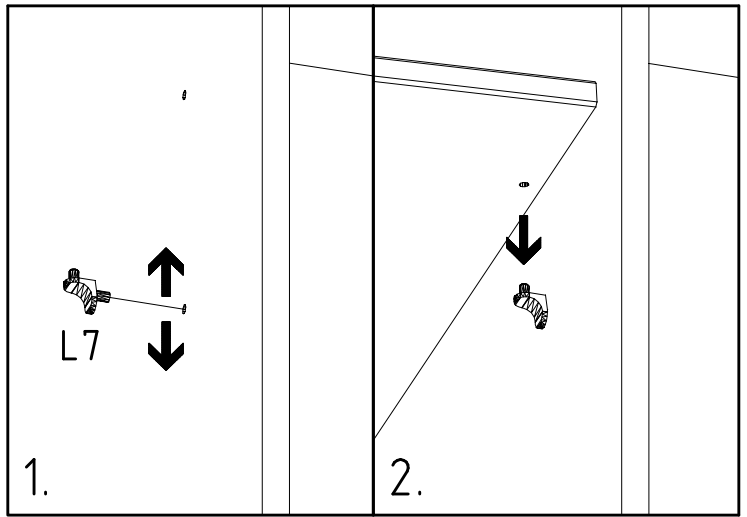
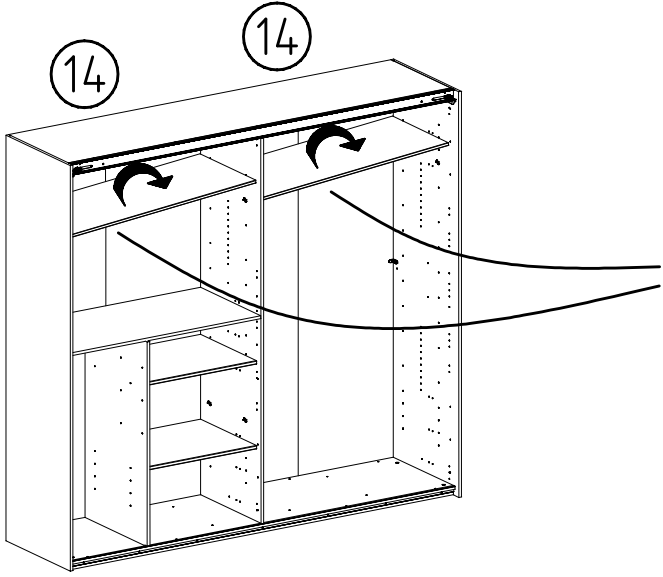
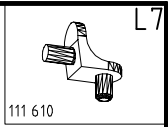
24



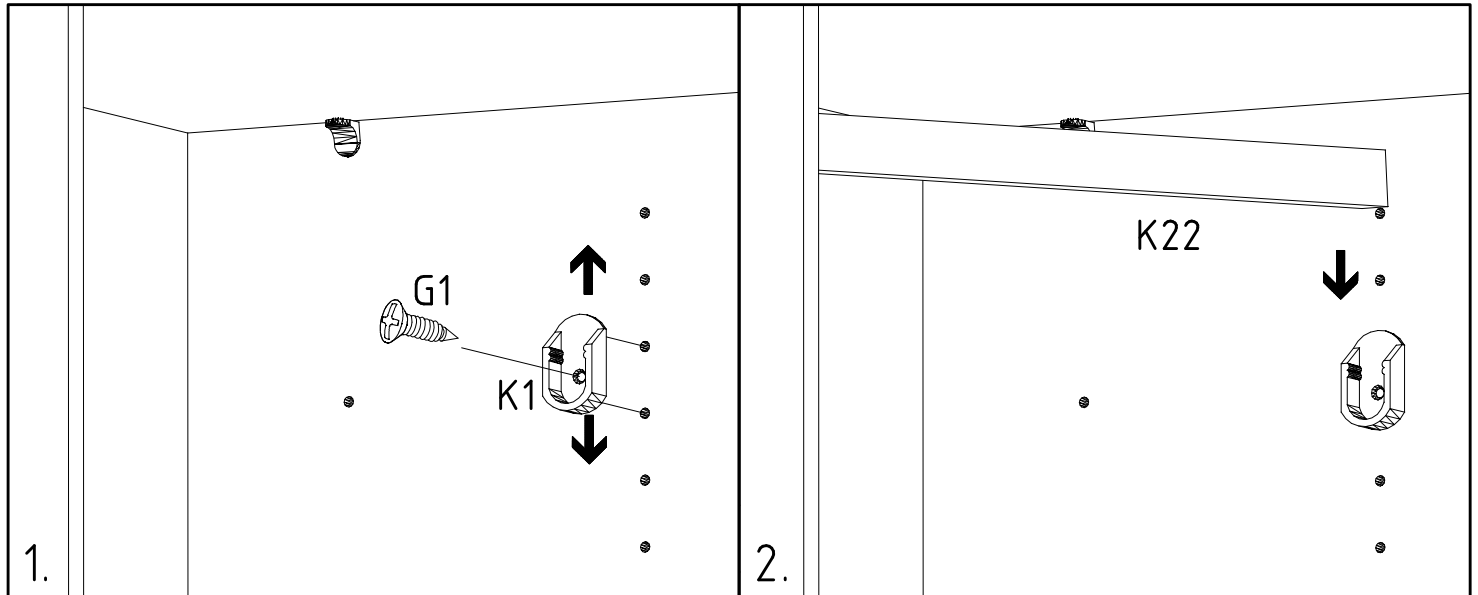
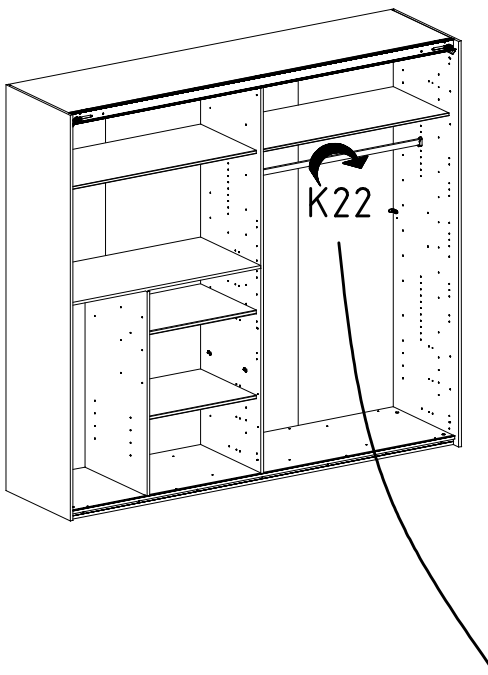
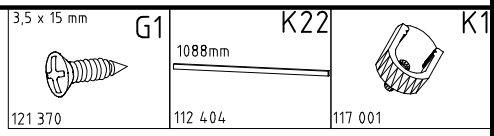
25

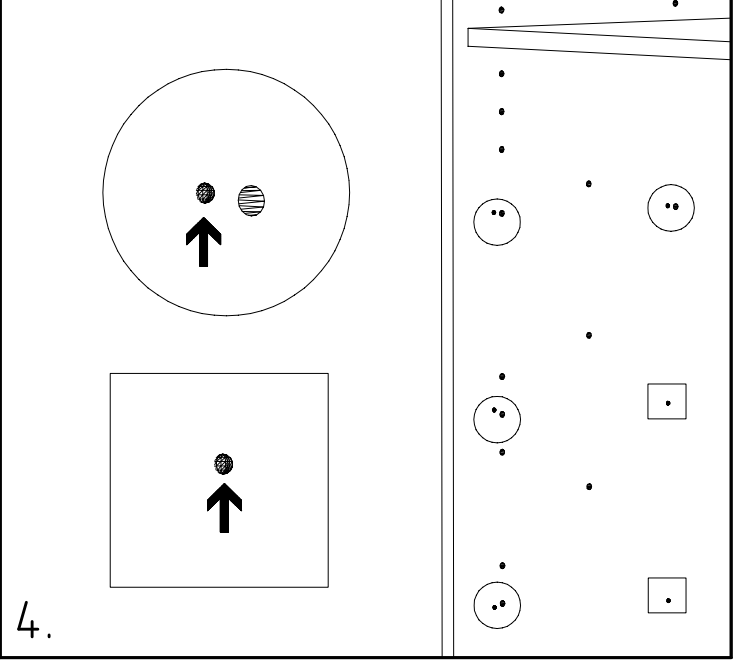
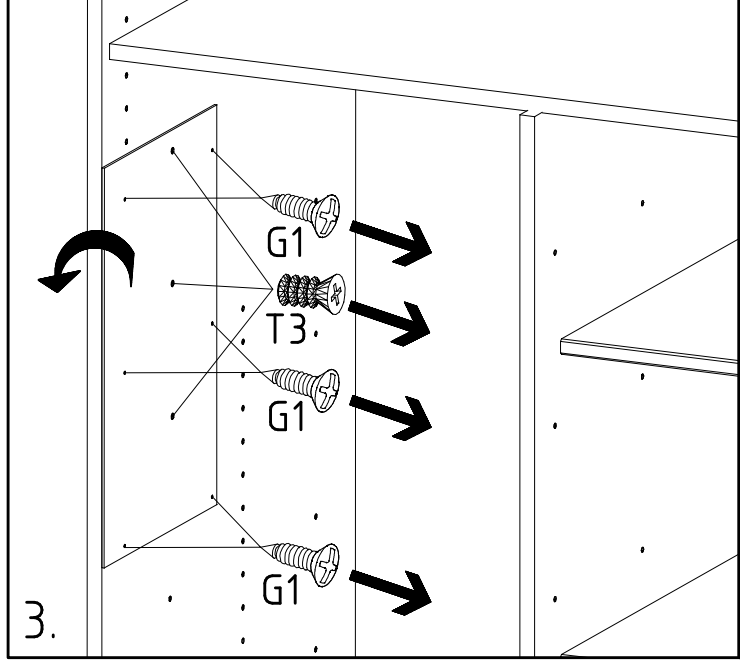
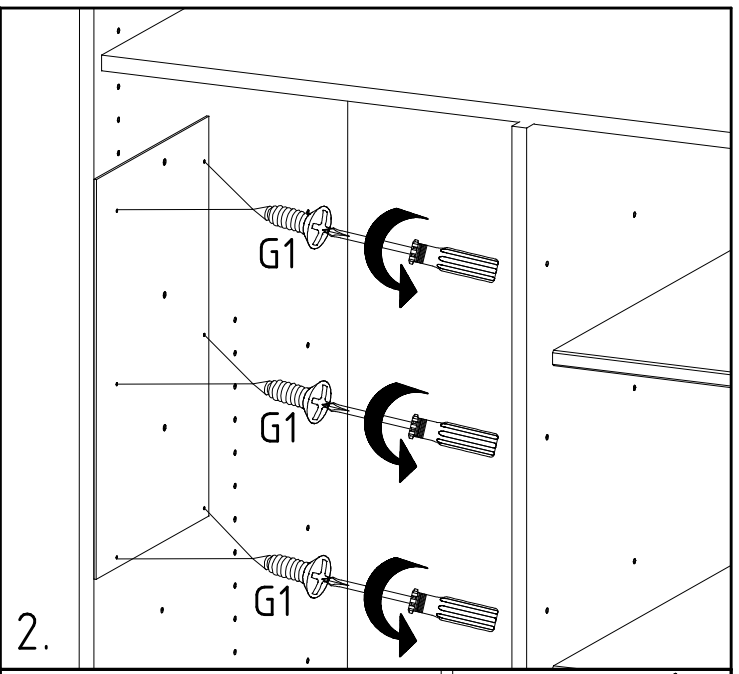
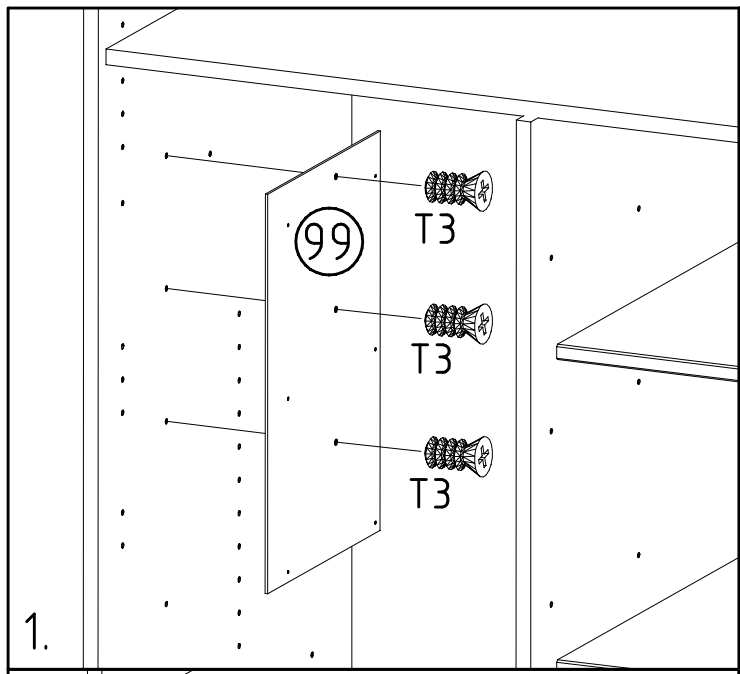
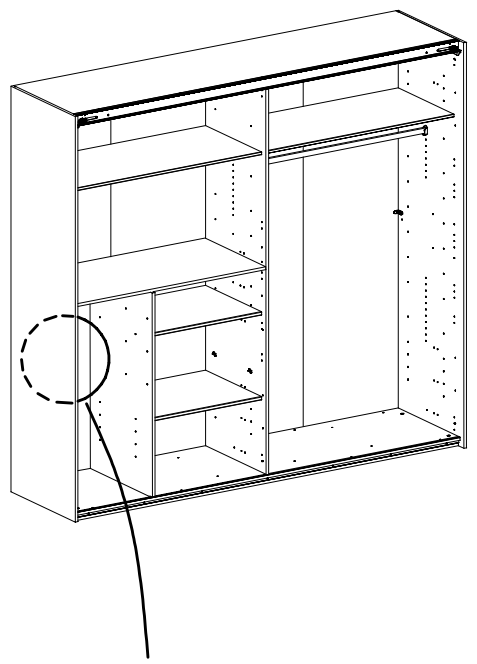


26



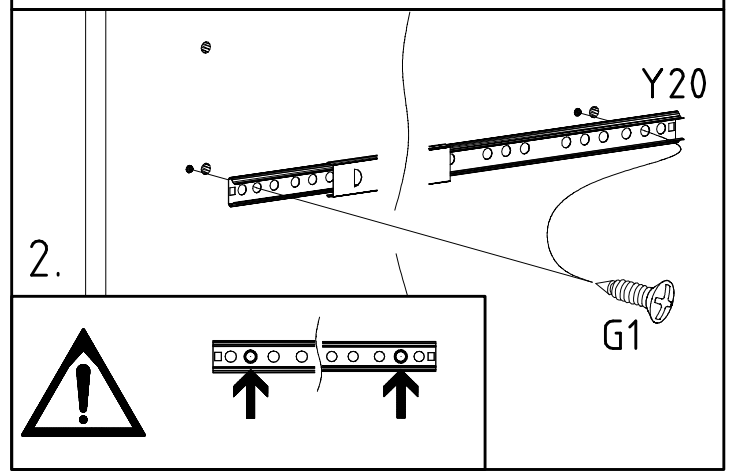
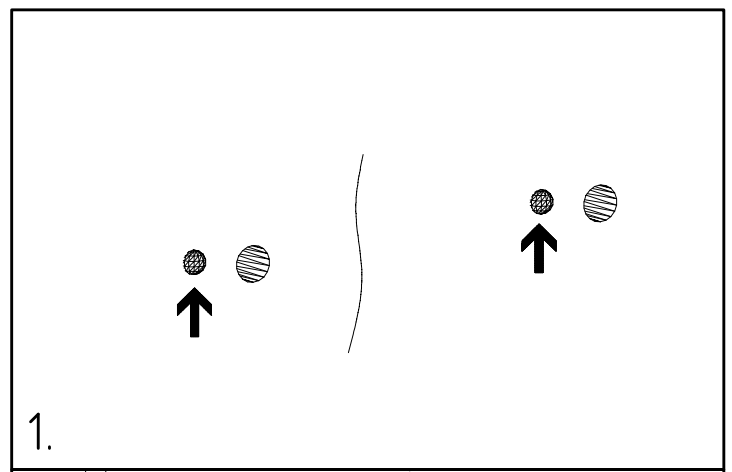
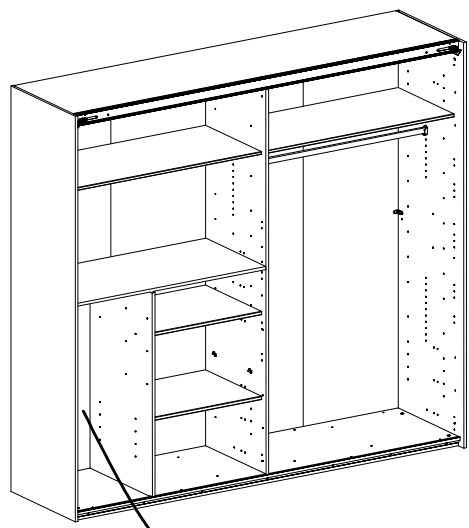
27





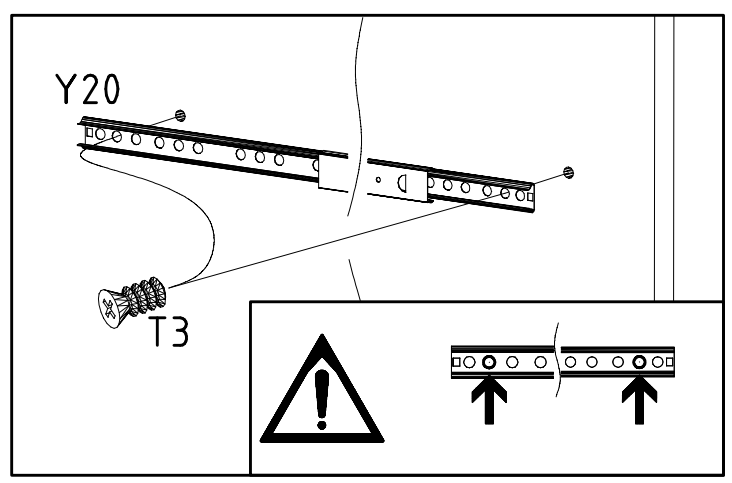
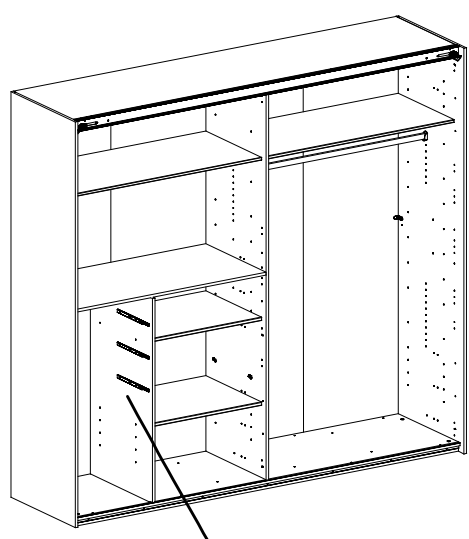
29

3,5 x 15 mm G1 121 370  
Y20 112 198

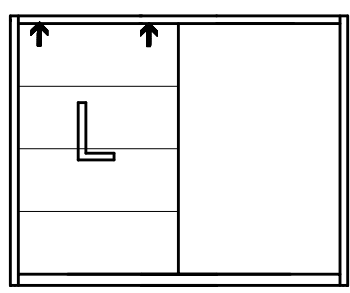
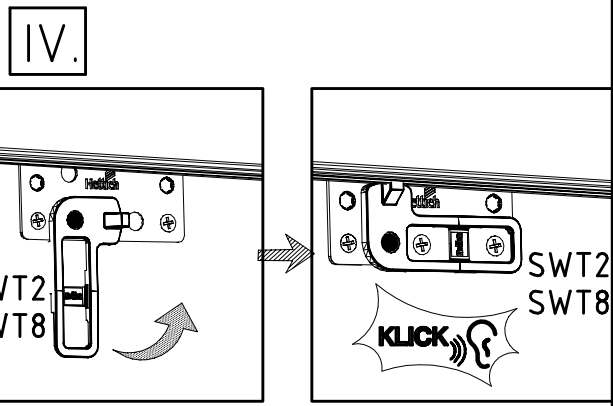
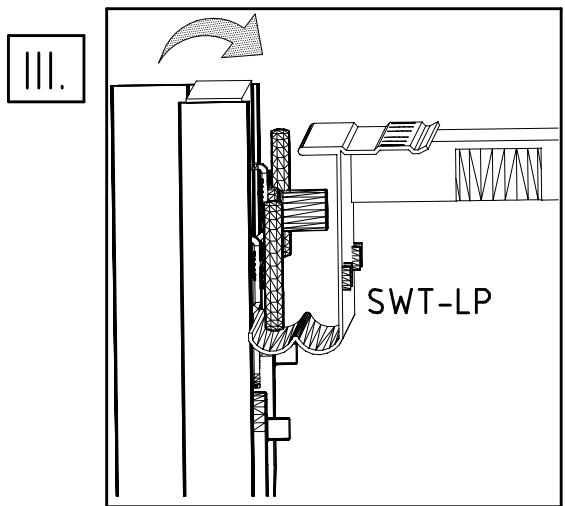
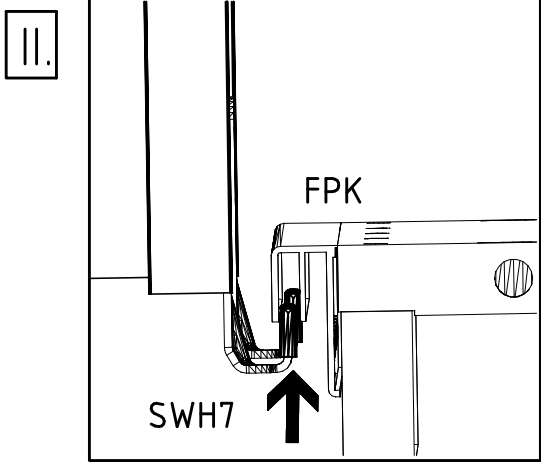
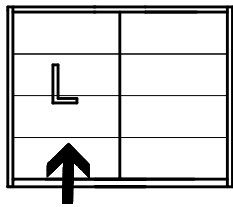
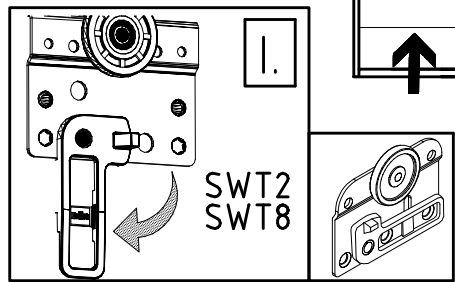


30

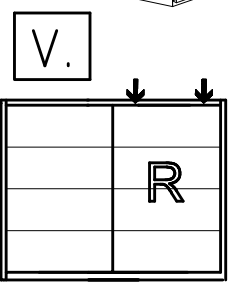
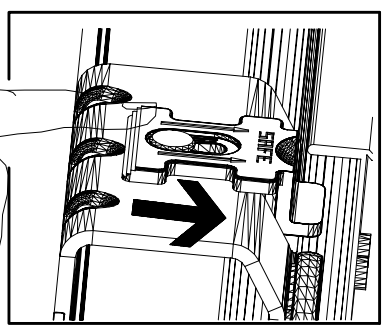
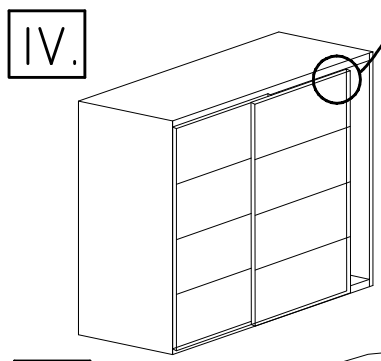
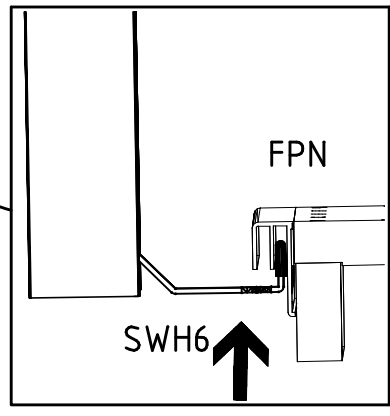
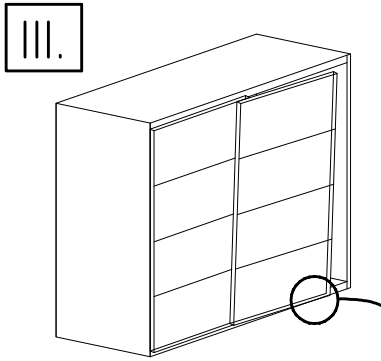
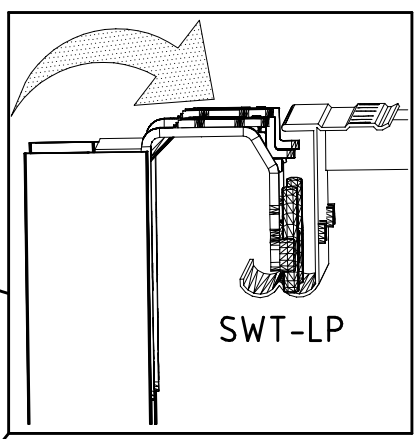
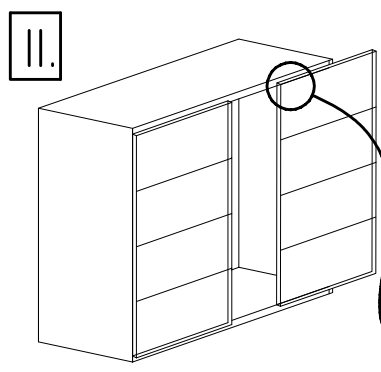
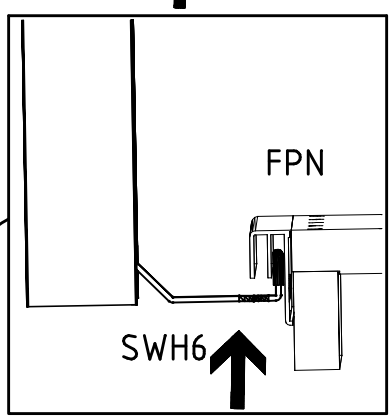
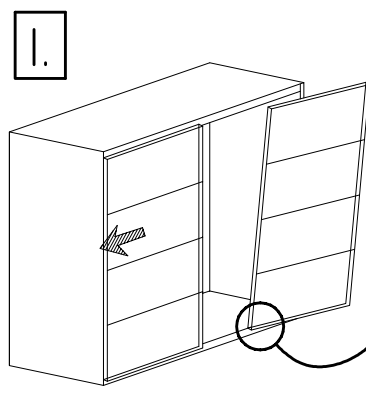
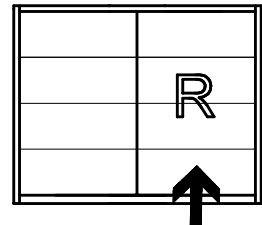
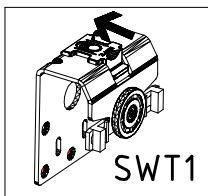
M6 x 10 T3 112 616  
Y20 112 198



B1

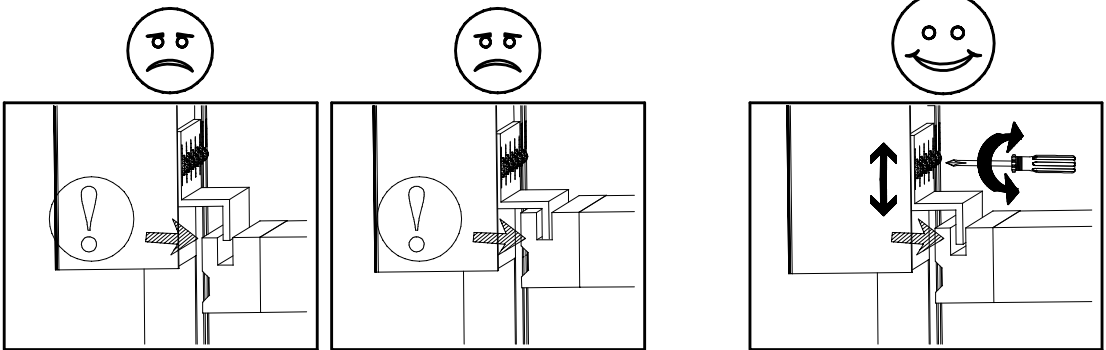
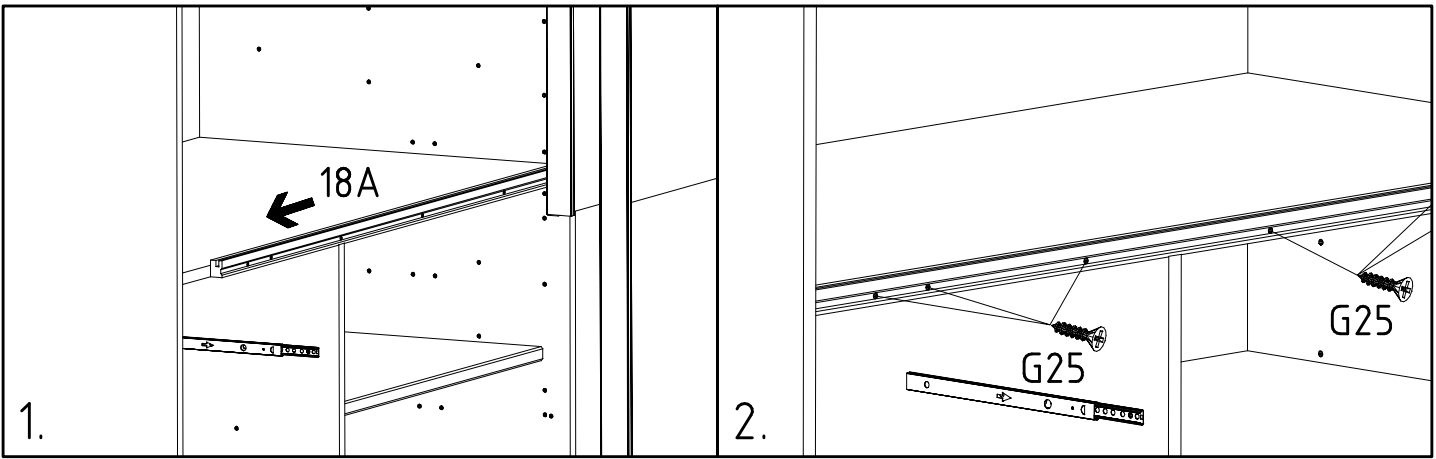
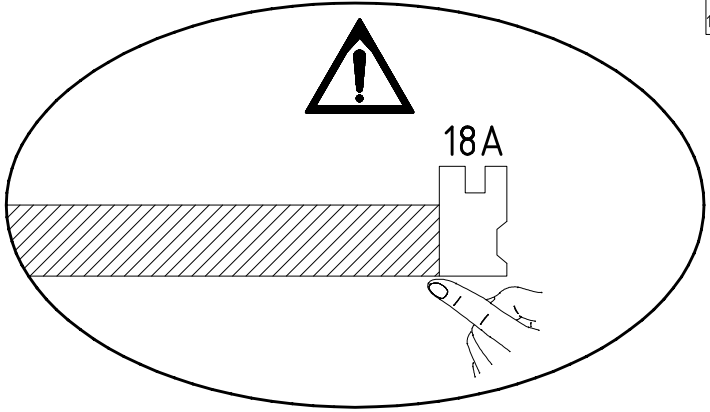
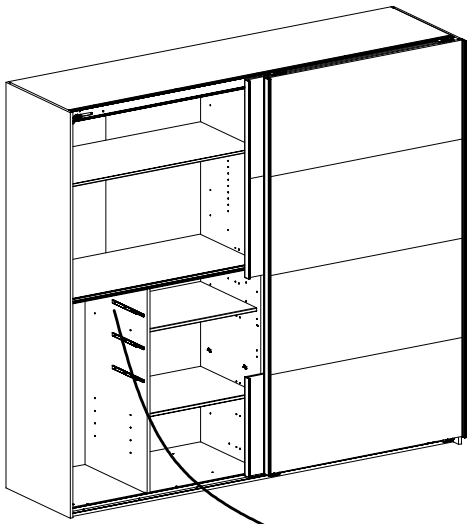
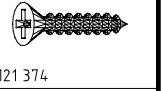


B2

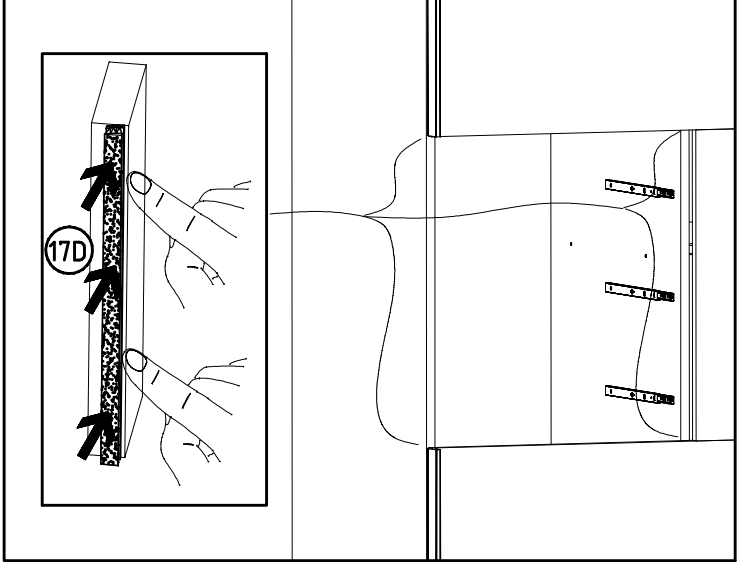
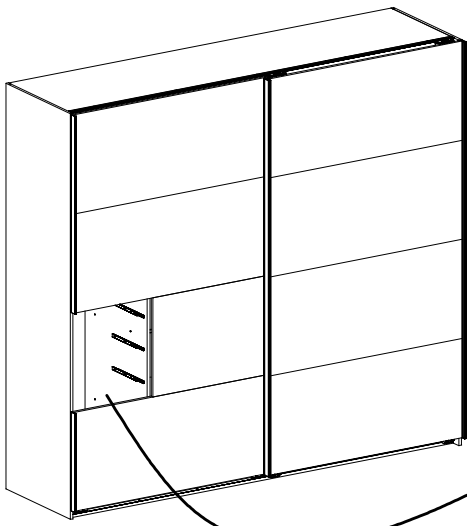


33

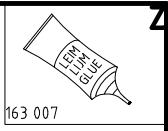
3,5 x 40 mm G25



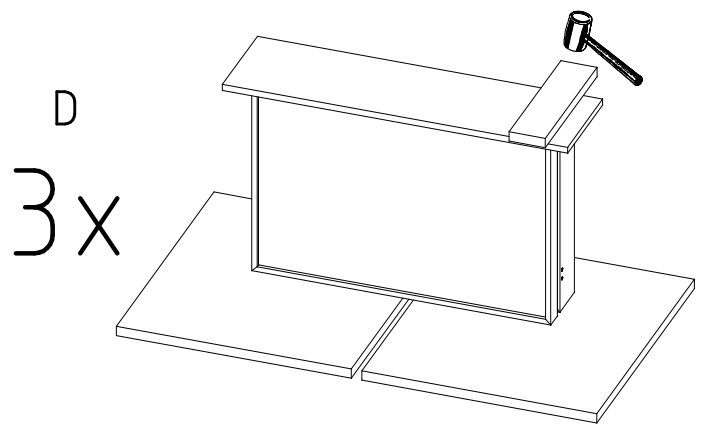
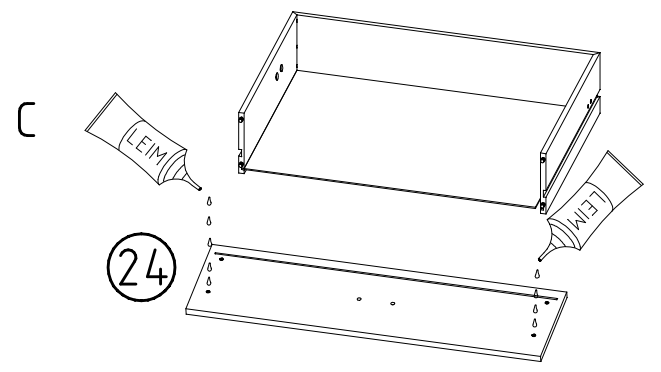
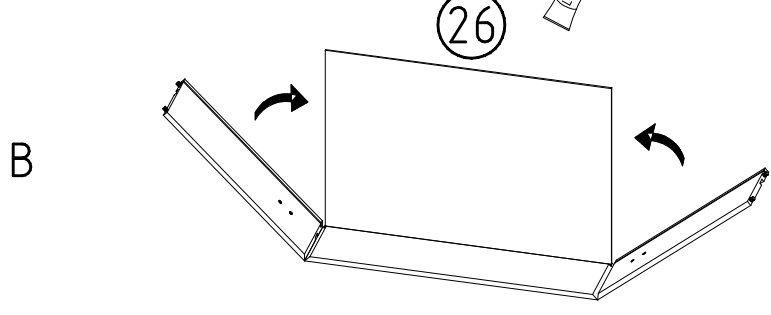
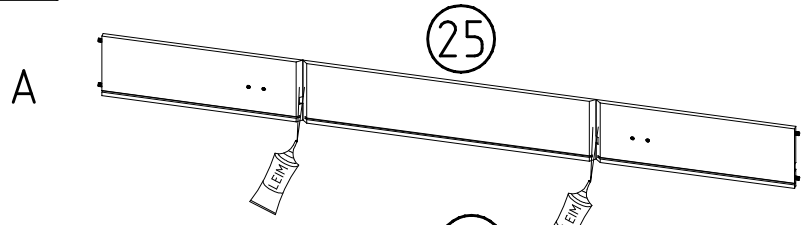
34



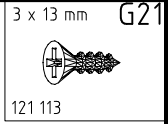
35



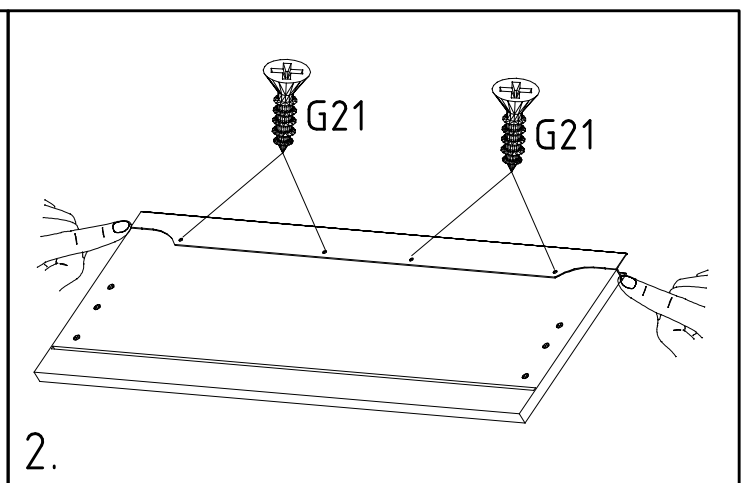
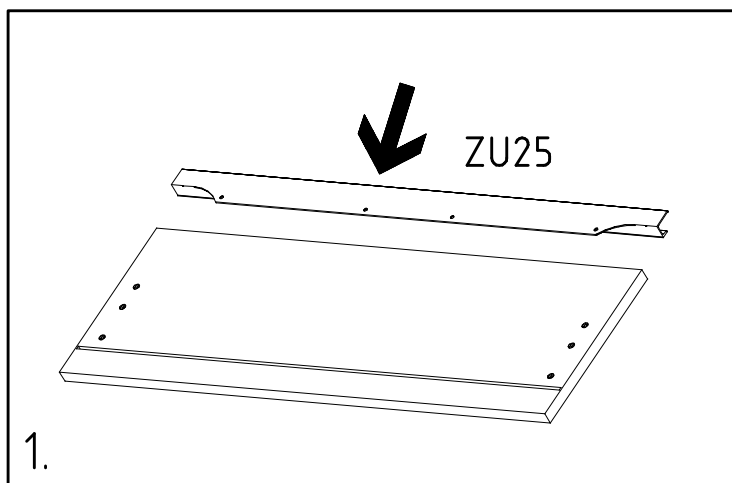
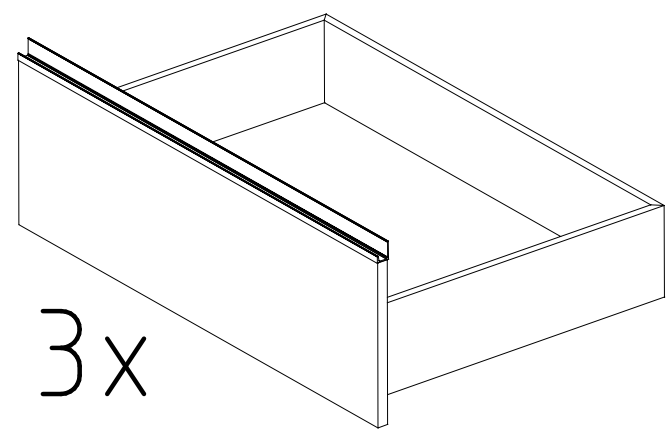
163 007



36



121 113

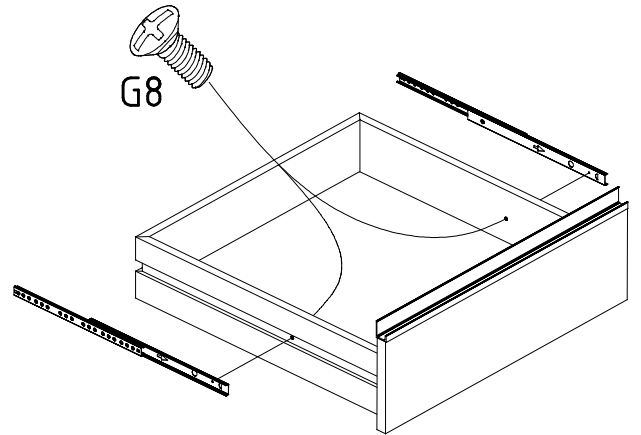
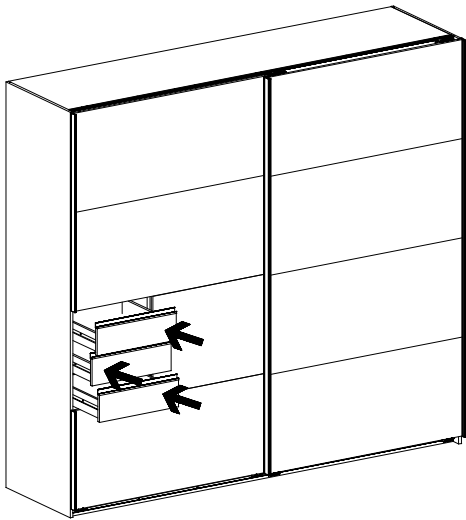


37

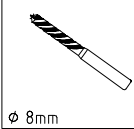
M4 x 9 mm

G8

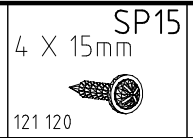
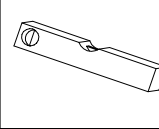
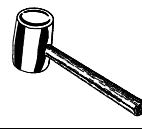
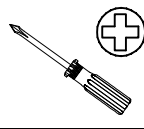
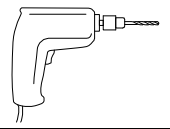
111 015



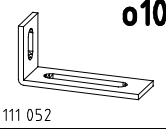
38



∅ 8mm

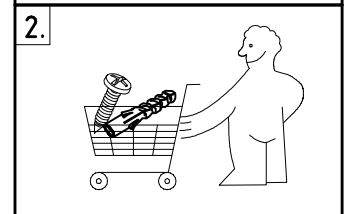
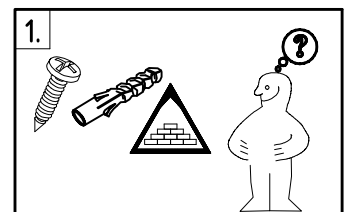
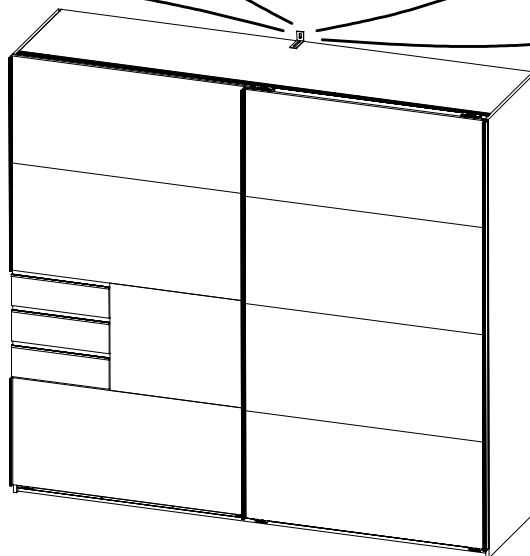
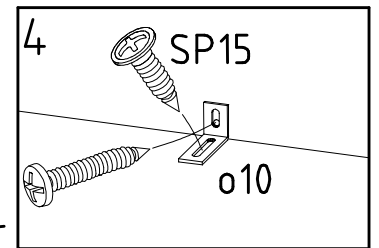
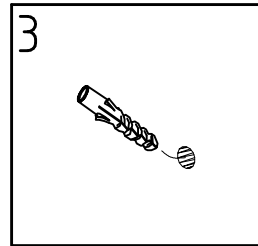
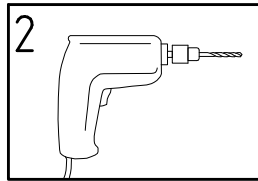
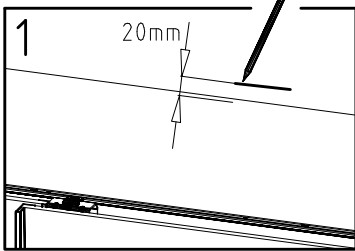


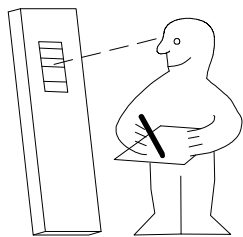
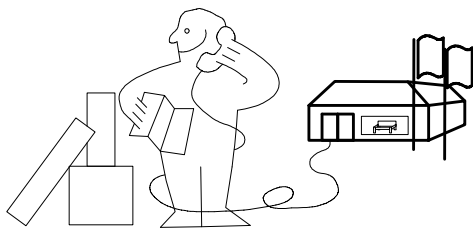
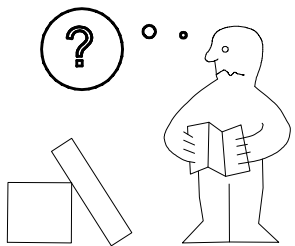
121 120



o10

111 052

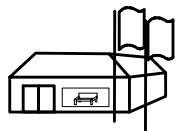




Modell/Model/Modèle

--	--	--	--

--	--	--	--	--	--




---



---



---



---



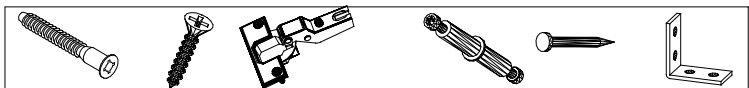
---



---



---



(121 370)	( G 1 )	(4x)