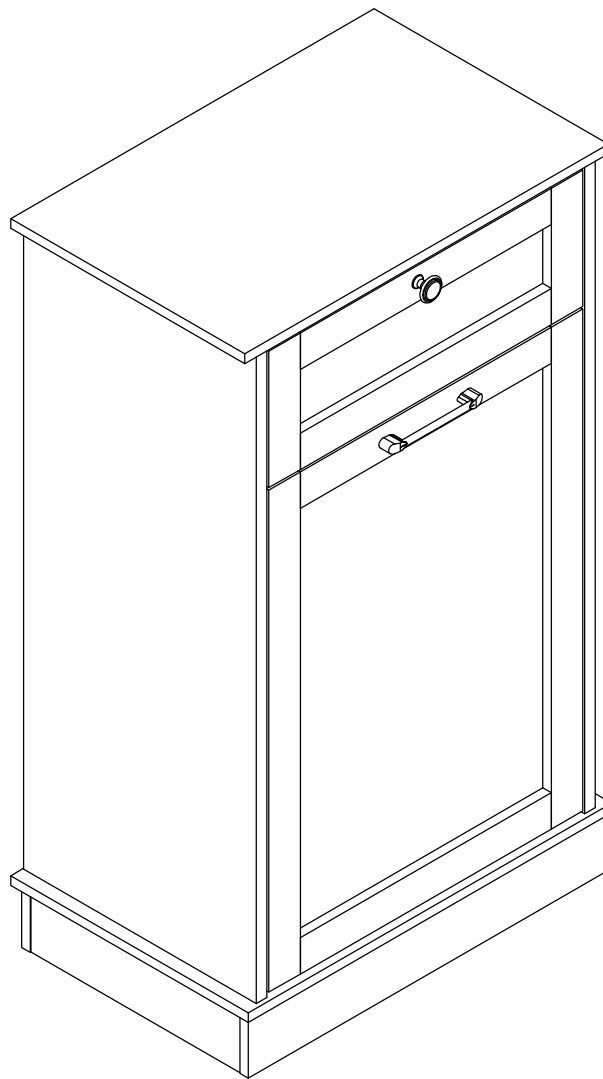


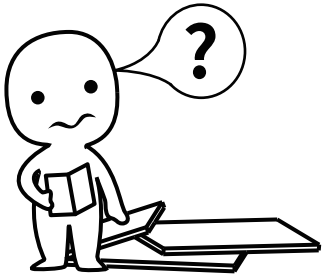
Assembly Instructions

WF-547LJG



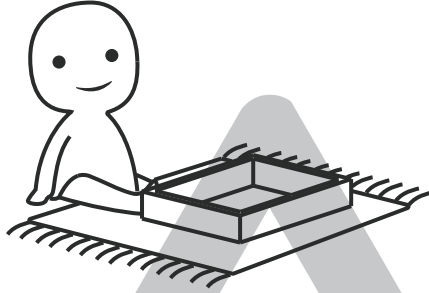
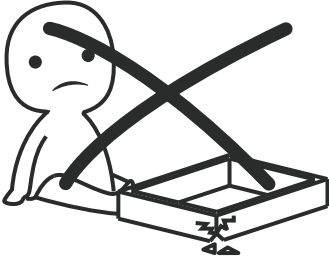
THIS INSTRUCTION BOOKLET CONTAINS IMPORTANT INFORMATION. PLEASE READ AND KEEP FOR FUTURE REFERENCE.

We will stand behind we sell. If you have any questions about this item, please do not hesitate to contact us.



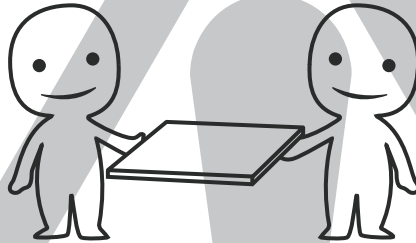
IMPORTANT INFORMATION!

please read the entire manual before starting to assemble and/or using this product. follow the manual thoroughly and keep it for further reference.



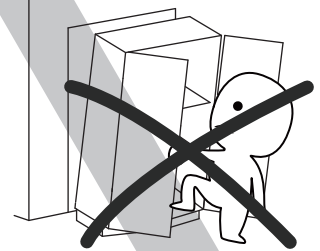
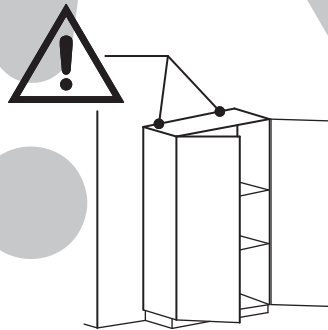
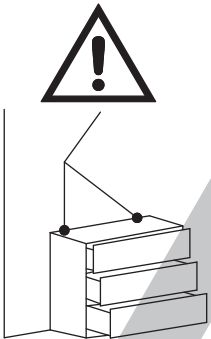
AVOID SCRATCHES!

In order to avoid scratching this furniture should be assembled on a soft layer—could be a rug.



IMPROVE EFFICIENCY !

Try to find a partner to install with you, which can speed up the installation efficiency and shorten the time.



ANTI-TOPPLE WARNING !

Overtipped furniture can cause serious or fatal crush injuries. To prevent tipping over, be sure to use the wall attachment, if not included with this product. Please purchase the wall attachment that fit your wall. If unsure, seek professional advice. Please read and follow each step of the instructions carefully.

IMPORTANT !

It is important that any product which is assembled using any kind of screw is re-tightened 2 weeks after assembly, and once every 3 months - in order to assure stability through-out the lifespan of the product.

For regular maintenance and cleaning of the product, for the frame, please use a rag dipped in neutral detergent to fully wipe it, and then dry it with a clean rag. For glass materials, wipe with a rag dampened with water glass cleaner, and then dry with a dry rag.

Do not use an electric screwdriver, and do not use too much force when installing, because the board is easy to break.

Trouble Shooting

Missing/Damaged pieces/
Wrong size and installation issues

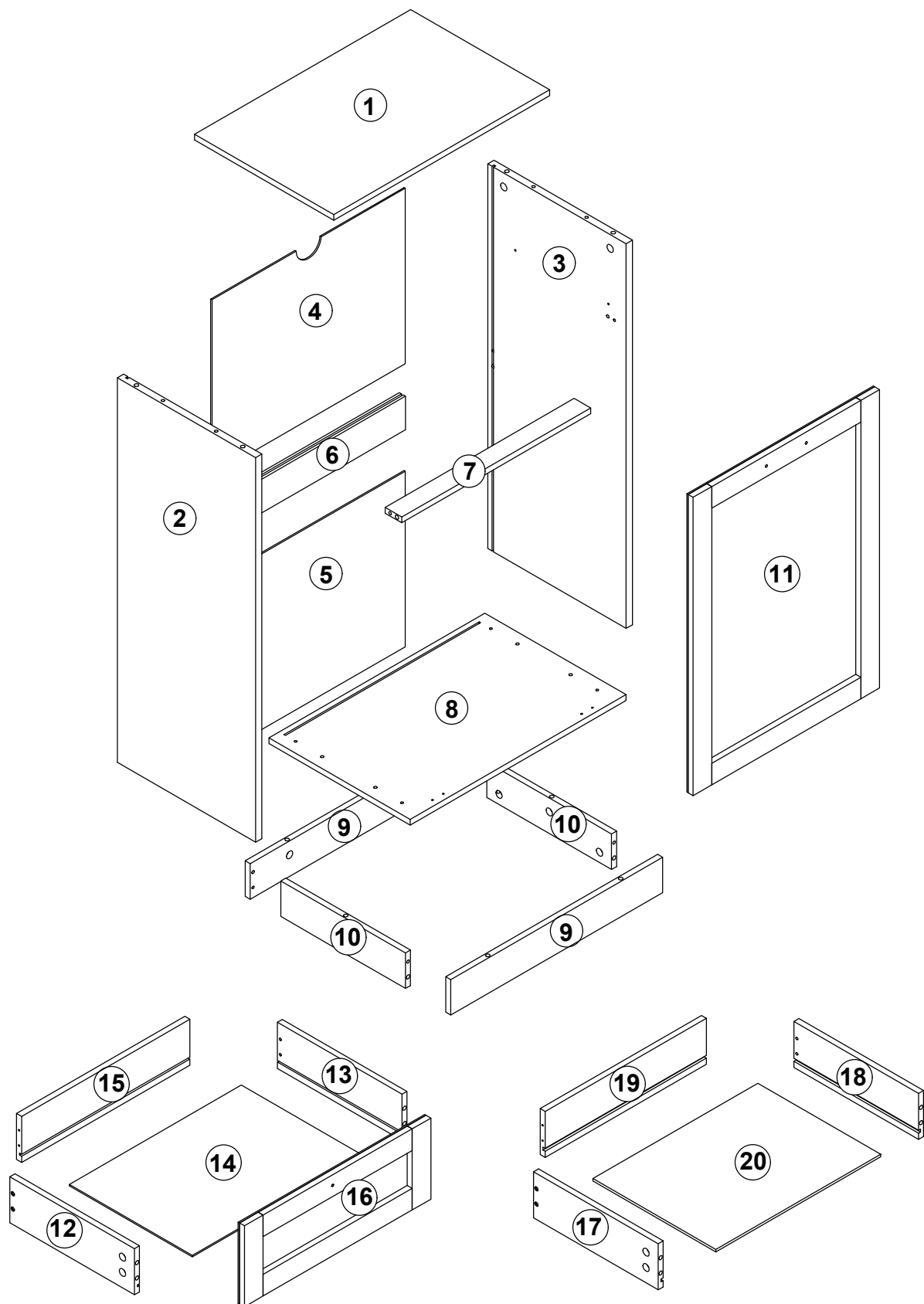


Contact us with your problem, pic,
number and qty to the "Contact seller"
button in the detail page of your order

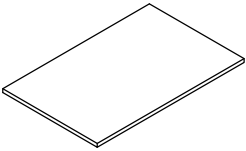
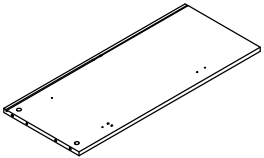
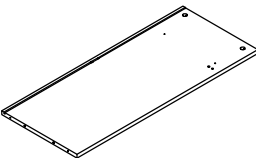
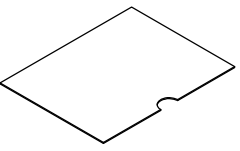
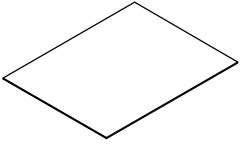
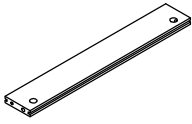
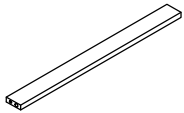
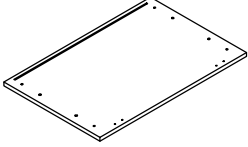
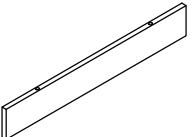
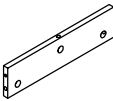
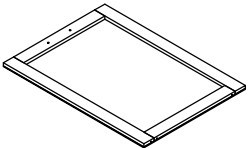
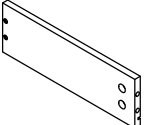
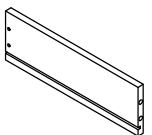
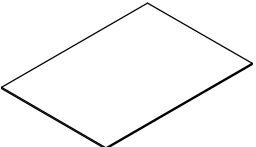
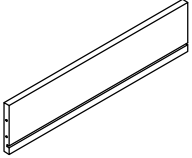
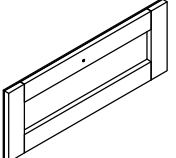
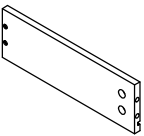
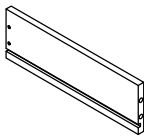
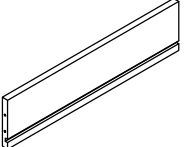
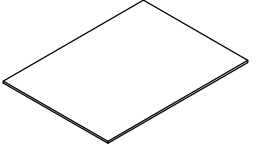


Respond with 24 hours to solve issue



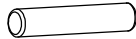





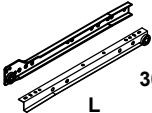
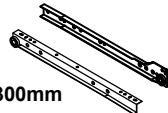
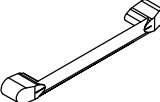
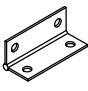

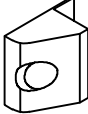
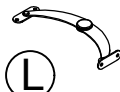
BOARD IDENTIFICATION



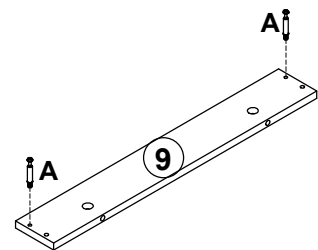
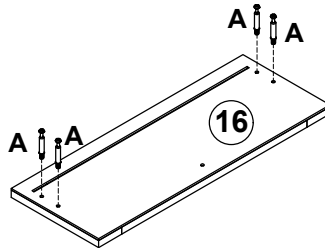
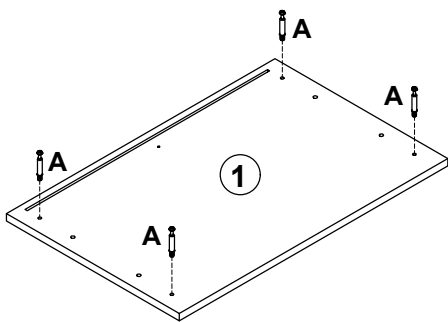
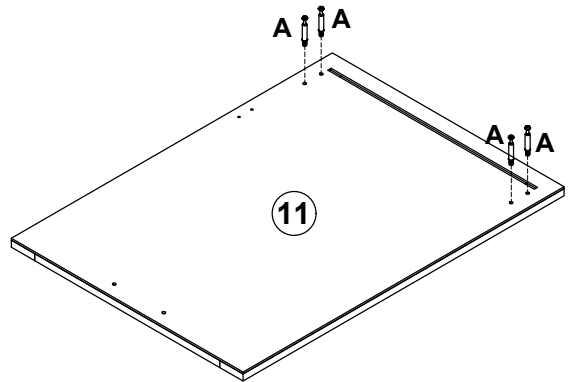
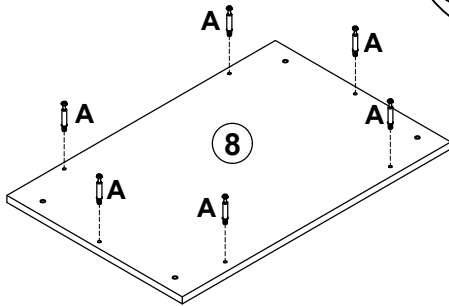
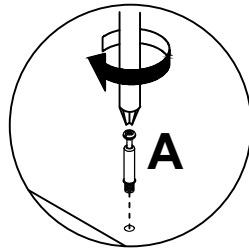
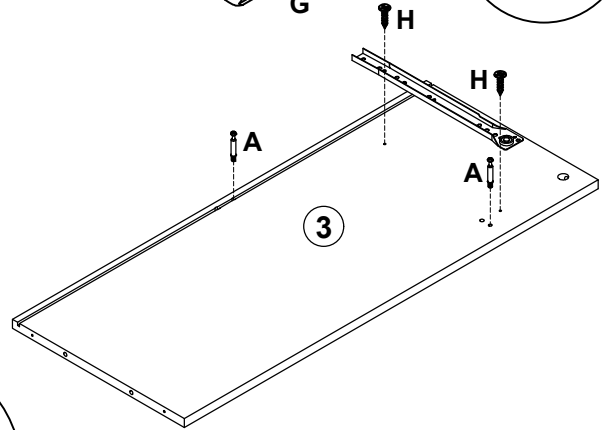
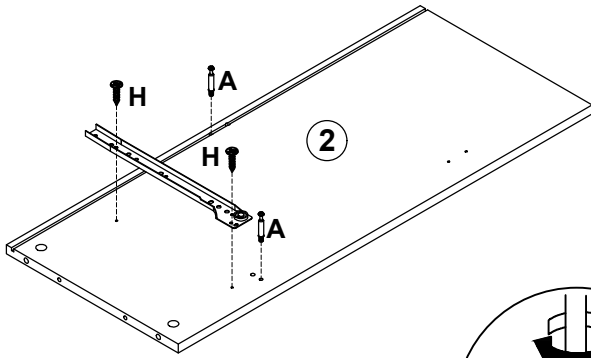
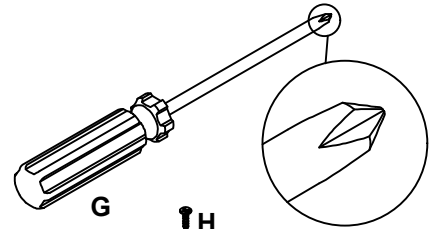
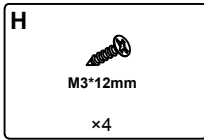
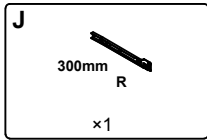
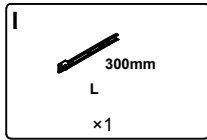
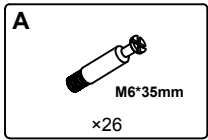
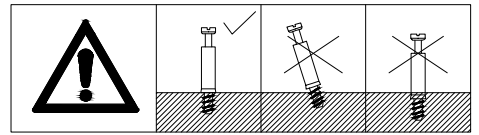
Parts List

1  1PC	2  1PC	3  1PC	4  1PC
5  1PC	6  1PC	7  1PC	8  1PC
9  2PCS	10  2PCS	11  1PC	12  1PC
13  1PC	14  1PC	15  1PC	16  1PC
17  1PC	18  1PC	19  1PC	20  1PC

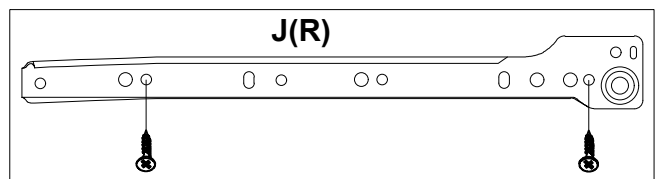
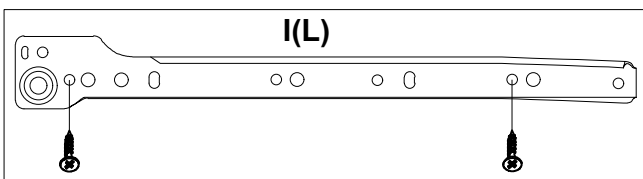
Hardware List

<p>A</p>  <p>M6*35mm</p> <p>×26 (+1)</p>	<p>B</p>  <p>φ15*9mm</p> <p>×26 (+1)</p>	<p>C</p>  <p>M6*30mm</p> <p>×16 (+1)</p>	<p>D</p>  <p>Ø4*40mm</p> <p>×12 (+1)</p>
<p>E</p>  <p>×1</p>	<p>F</p>  <p>M4*18mm</p> <p>×3</p>	<p>G</p>  <p>×1</p>	<p>H</p>  <p>M3*12mm</p> <p>×28 (+1)</p>
<p>I</p>  <p>300mm L</p> <p>×1</p>	<p>J</p>  <p>300mm R</p> <p>×1</p>	<p>K</p>  <p>×1</p>	<p>L</p>  <p>×2</p>
<p>M</p>  <p>×1</p>	<p>N</p>  <p>×8 (+1)</p>	<p>O</p>  <p>×1</p>	

STEP 1

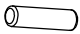


x2PCS



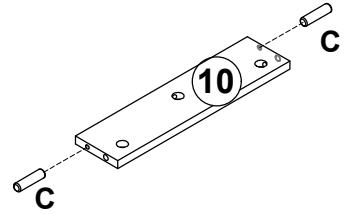
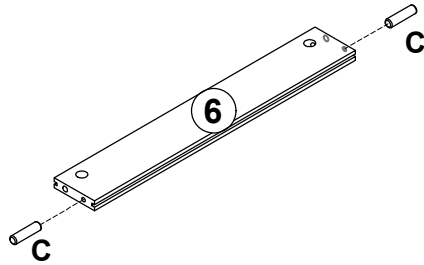
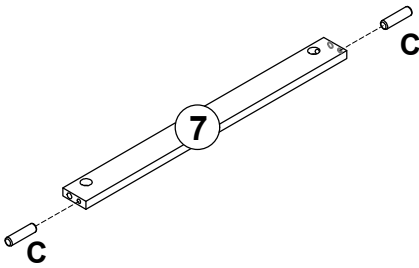
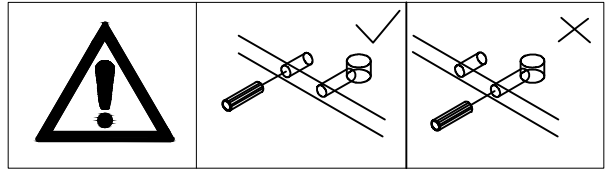
STEP 2

C



M6*30mm


x8



x2PCS


STEP 3

B



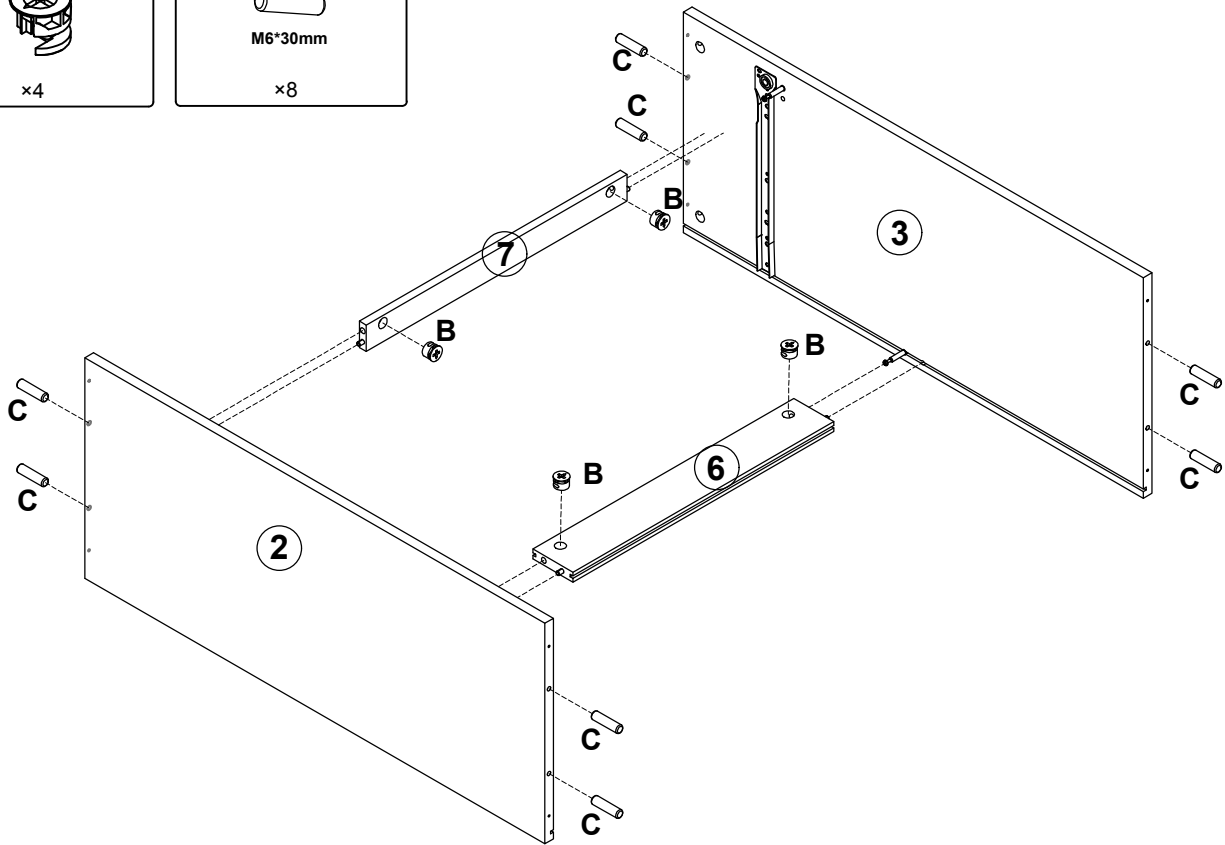
x4

C

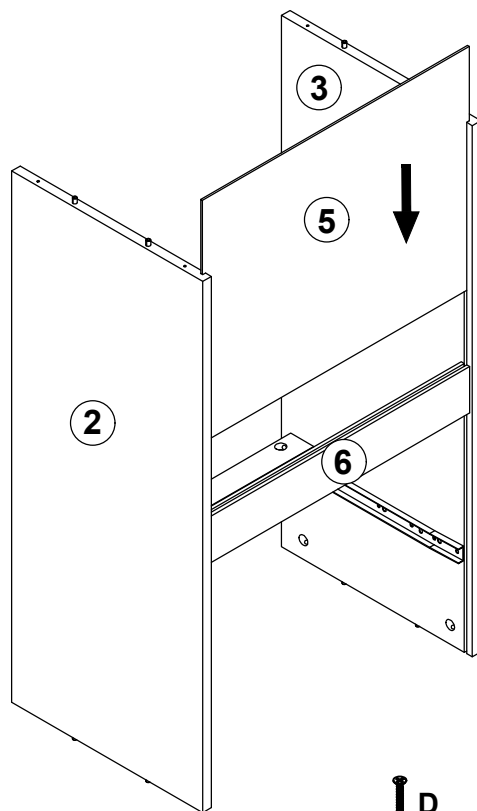


M6*30mm

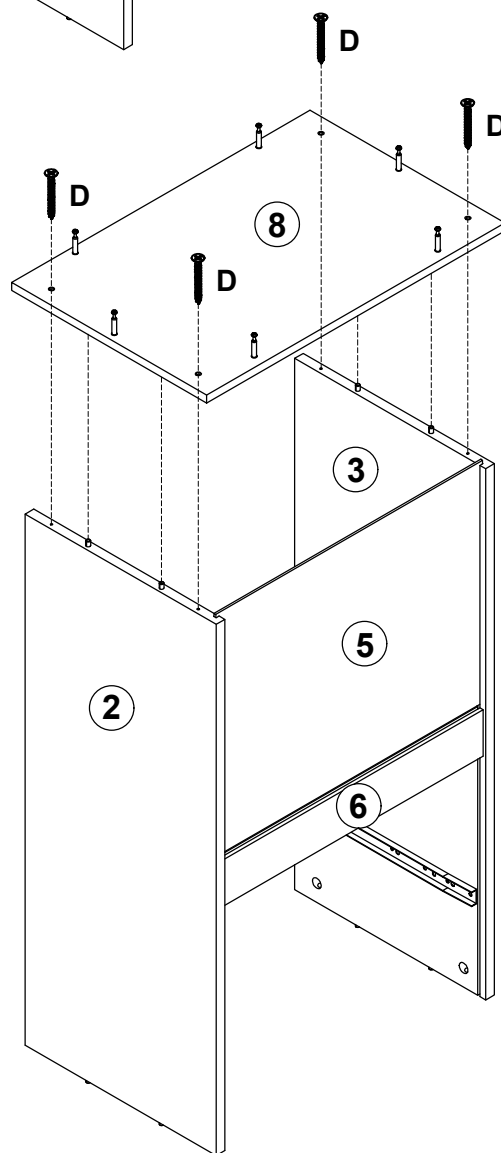
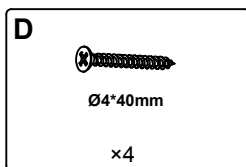
x8



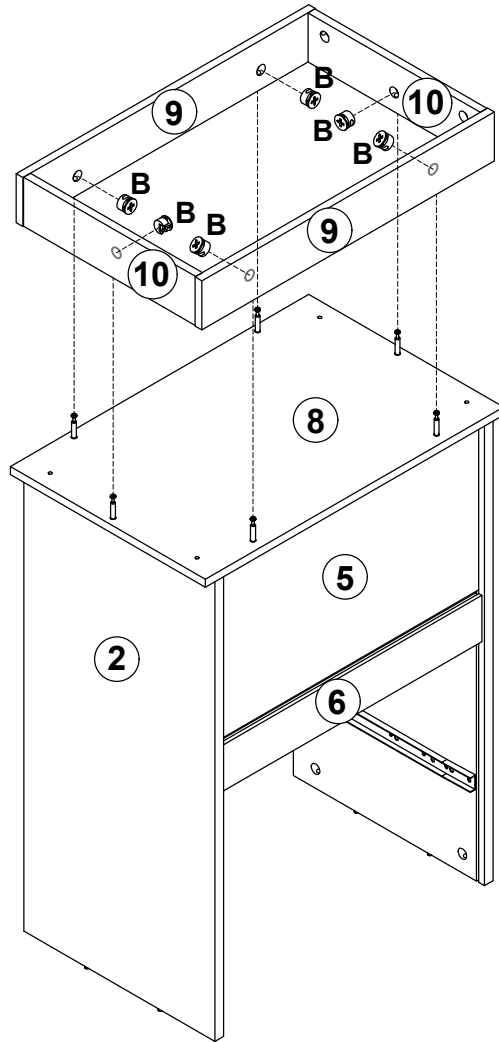
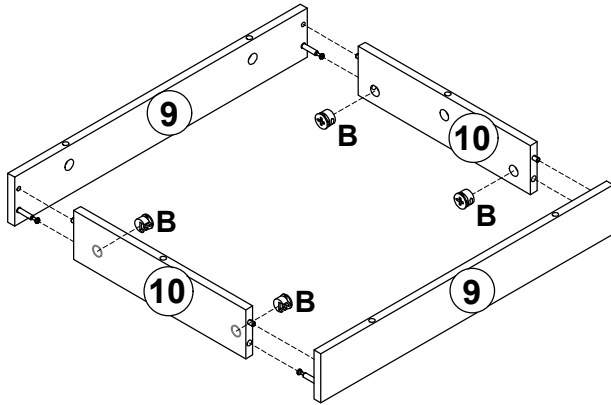
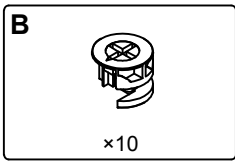
STEP 4



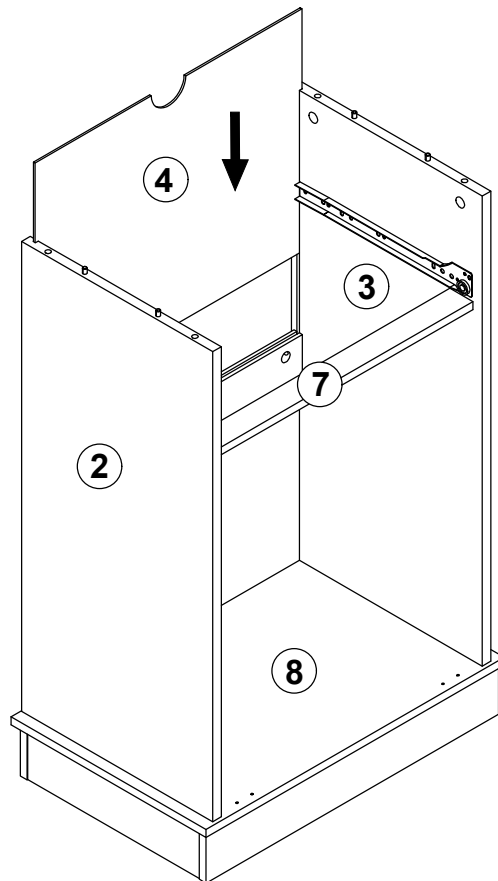
STEP 5



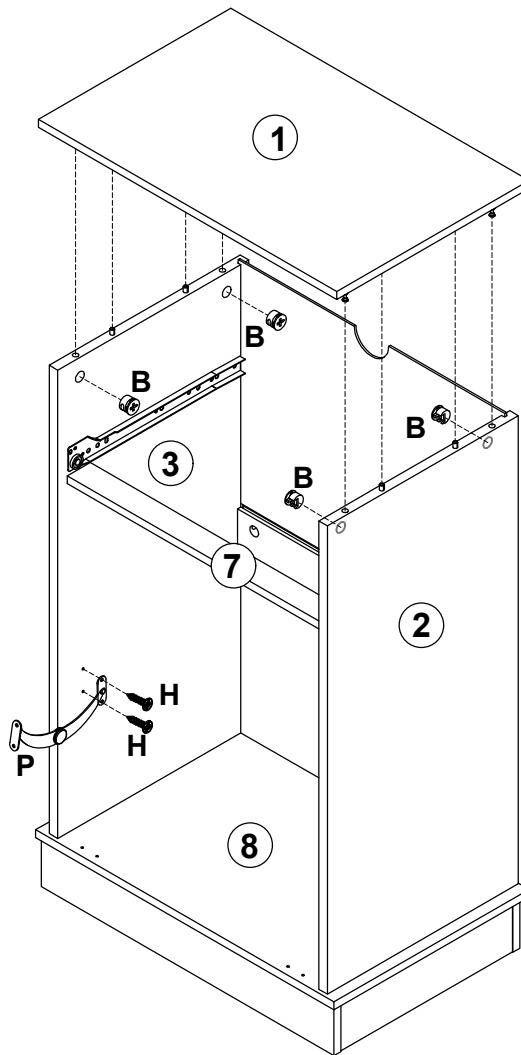
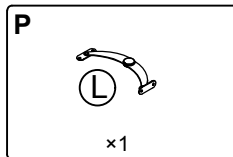
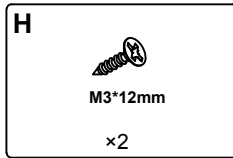
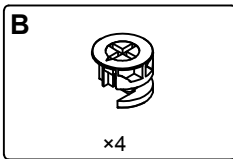
STEP 6



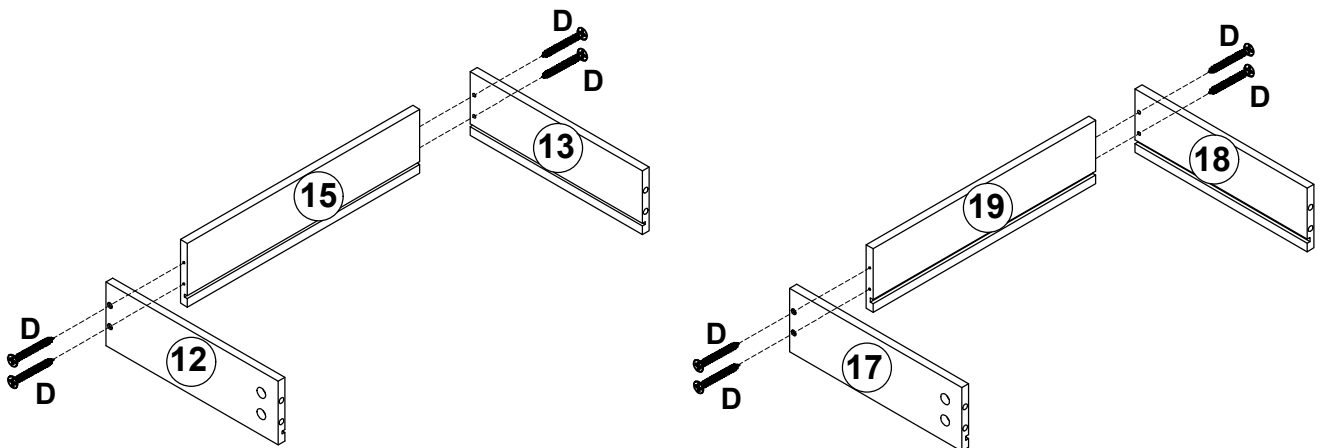
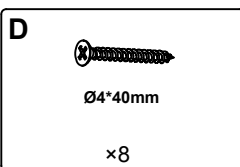
STEP 7



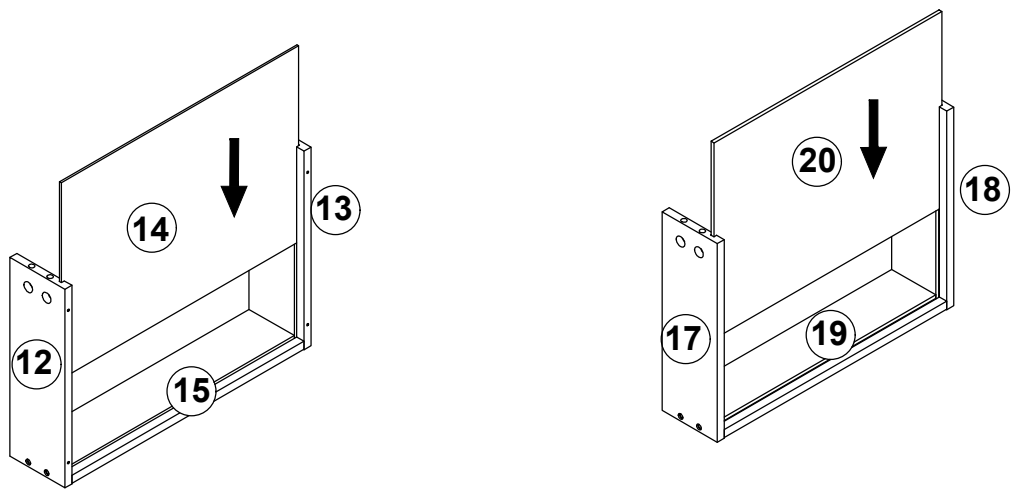
STEP 8



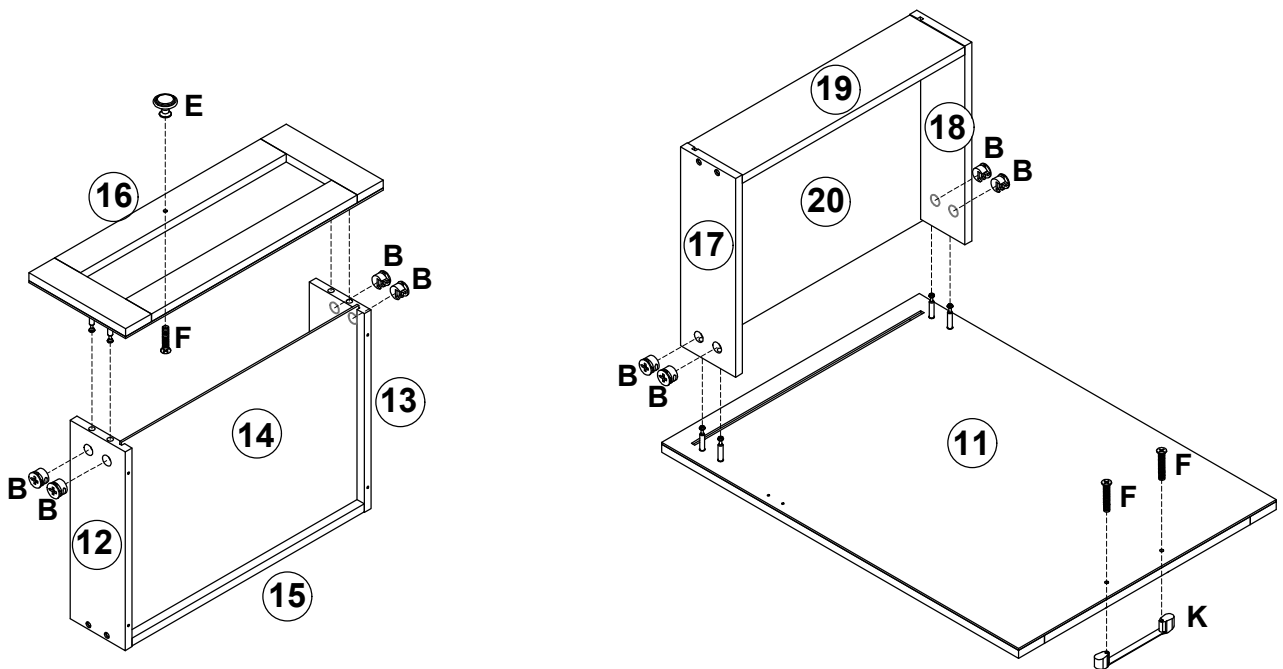
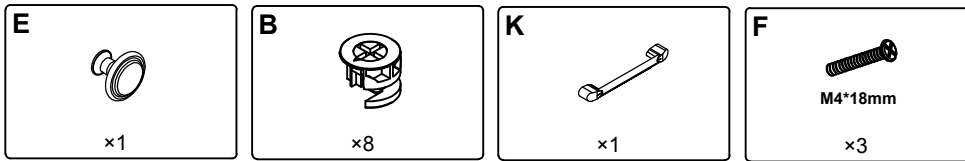
STEP 9



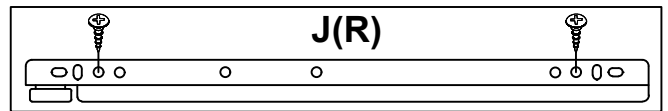
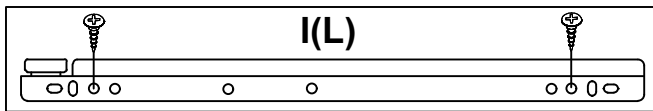
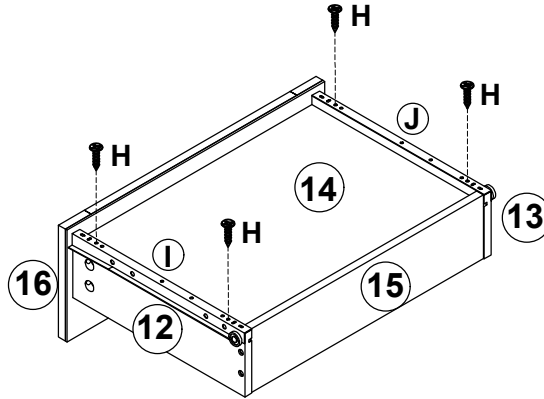
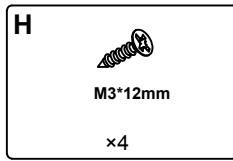
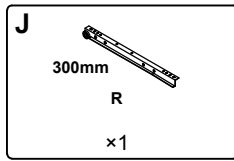
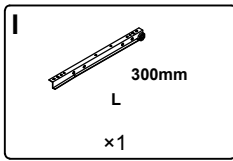
STEP 10



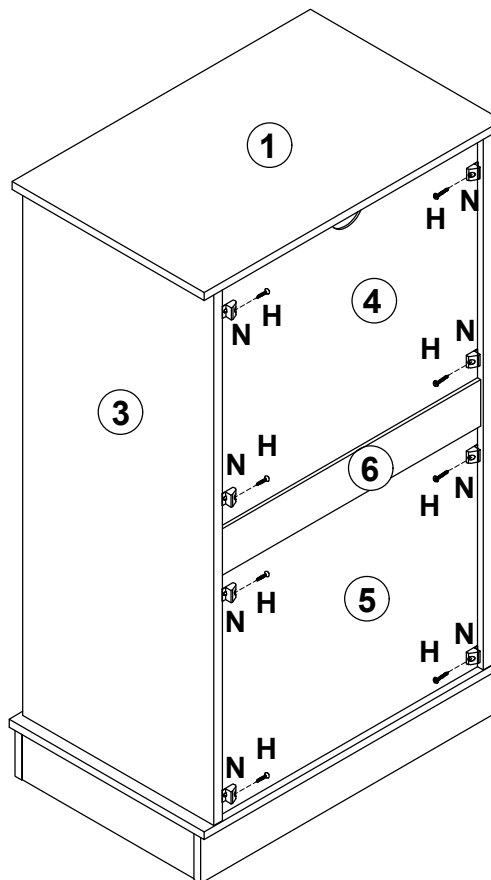
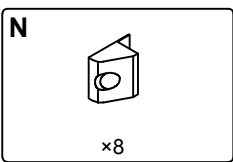
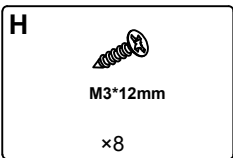
STEP 11



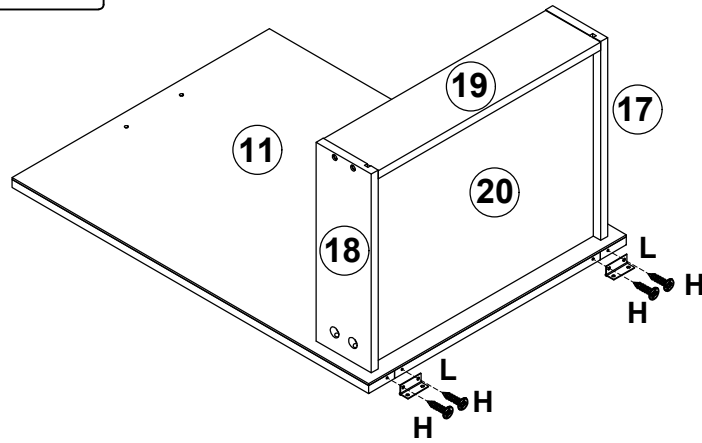
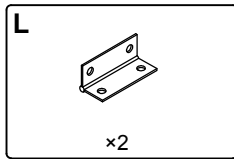
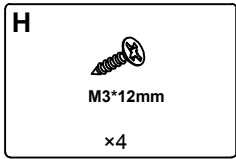
STEP 12



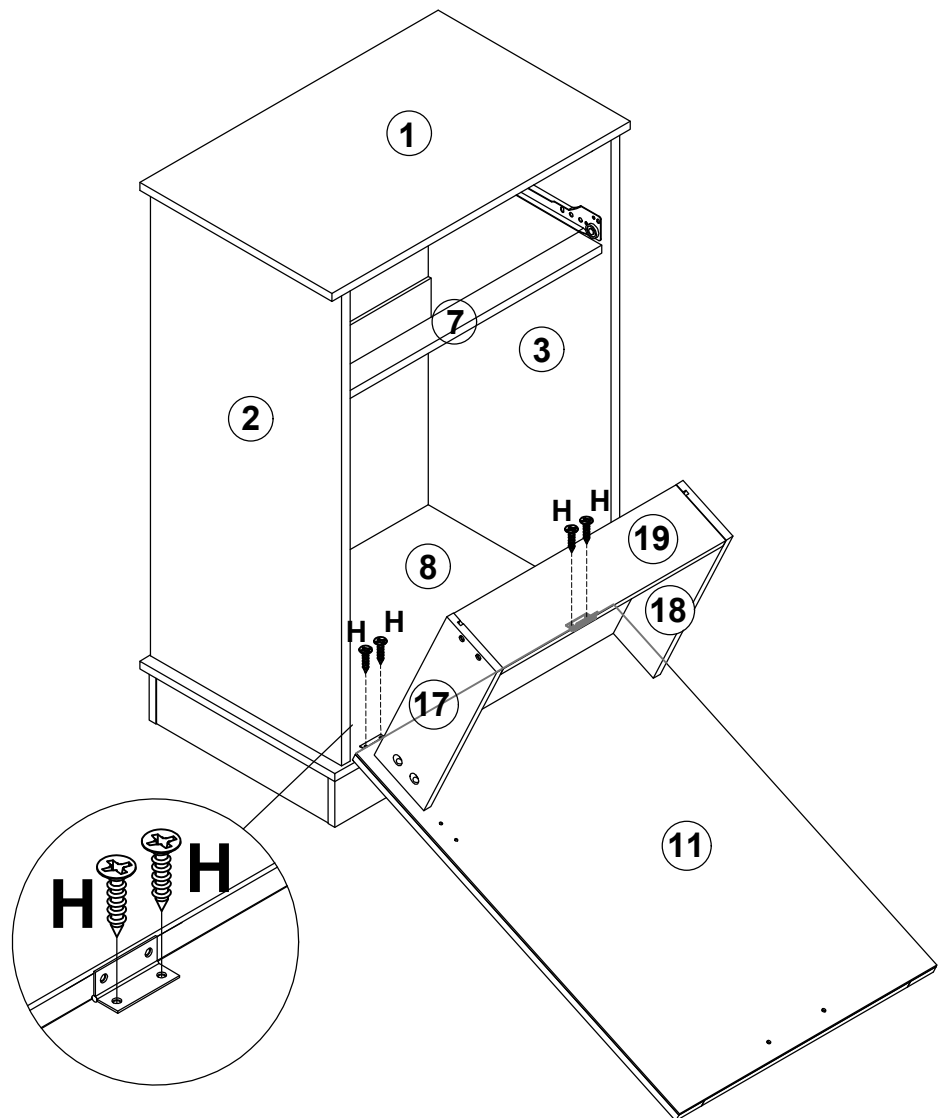
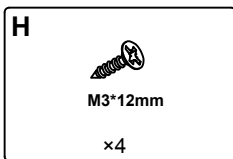
STEP 13



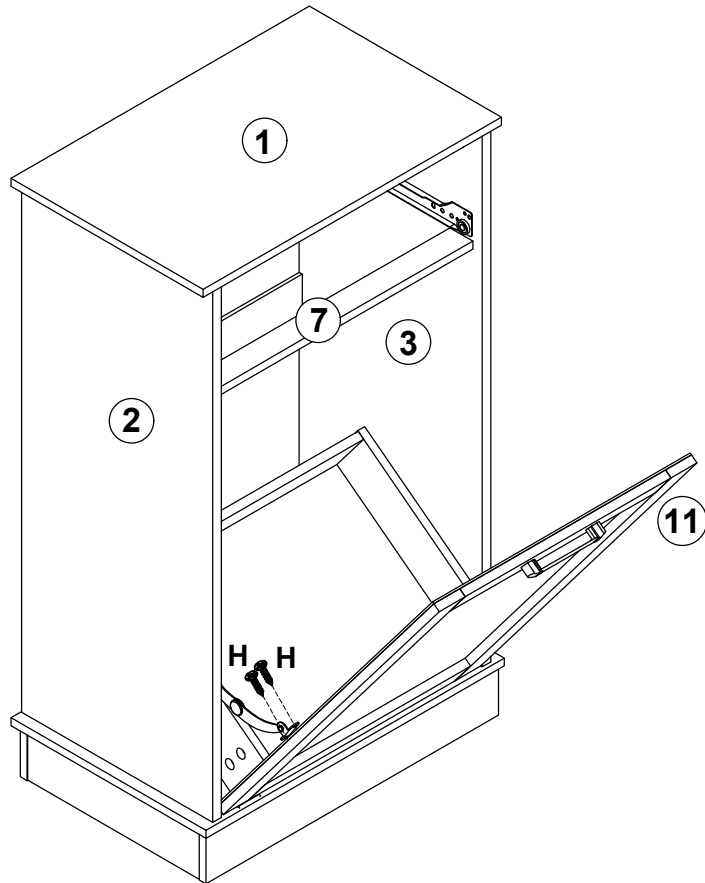
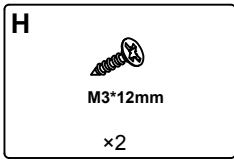
STEP 14



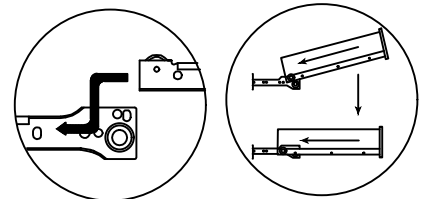
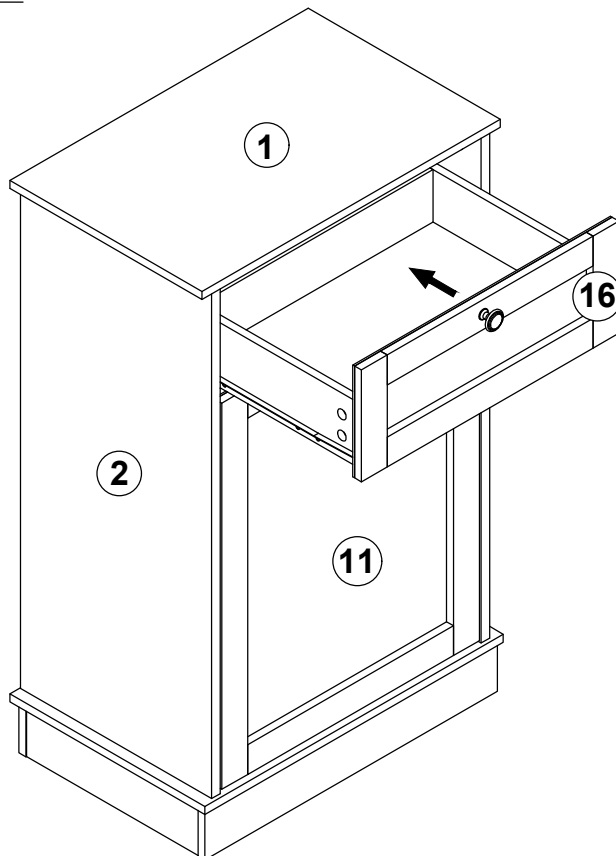
STEP 15



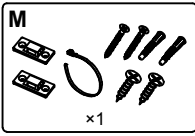
STEP 16



STEP 17



STEP 18

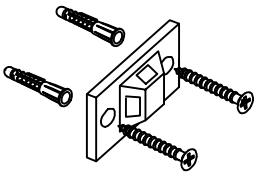


NOTE

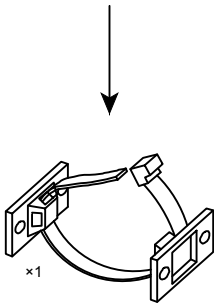
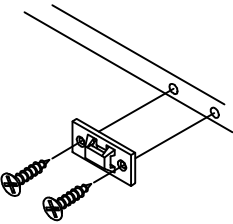
Measure the same height as the suitable height for the toilet rack, mark the wall with a pencil as shown in the picture, then drill holes with an electric drill, insert the plastic expansion tubing, screw in the screws and install the anti-tip kit.

Anti-Tip-Over Kit

wall



Behind The Cabinet



x1

