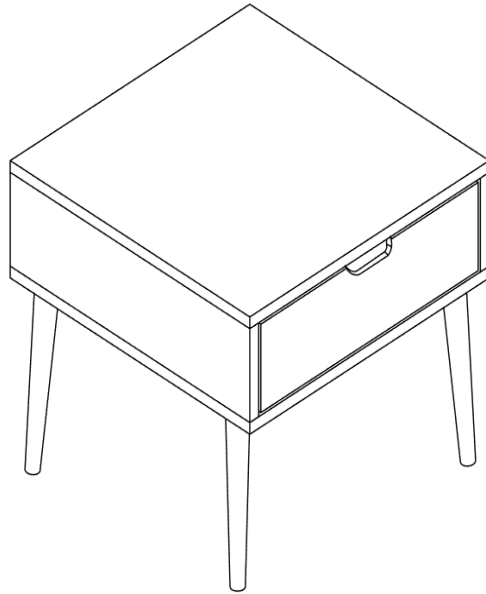


Assembly Instructions

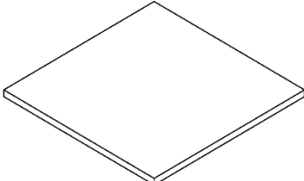
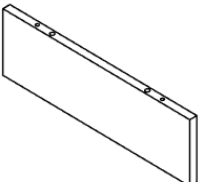
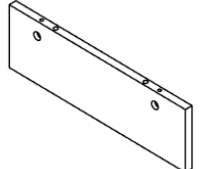
Caution : You must read this before you proceed


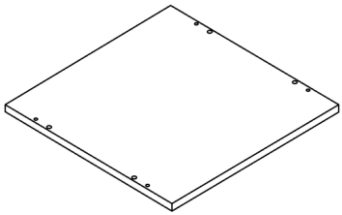

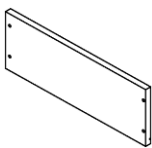
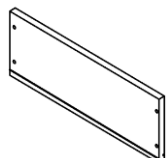
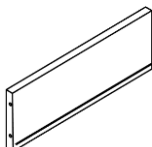
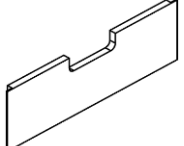
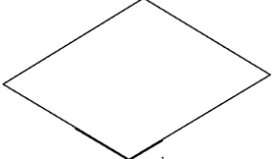
Please look in the velcro pouch for hardware packs and legs

End Table









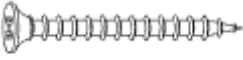



Parts List

Label	Picture	Description	QTY
A		Top Panel	1
B		Left Side Panel	1
C		Right Side Panel	1

D		Back Panel	1
E		Bottom Panel	1
F		Leg	4
G		Drawer Left Side Panel	1
H		Drawer Right Side Panel	1
I		Drawer Back Panel	1
J		Drawer Front Panel	1
K		Drawer Base Panel	1

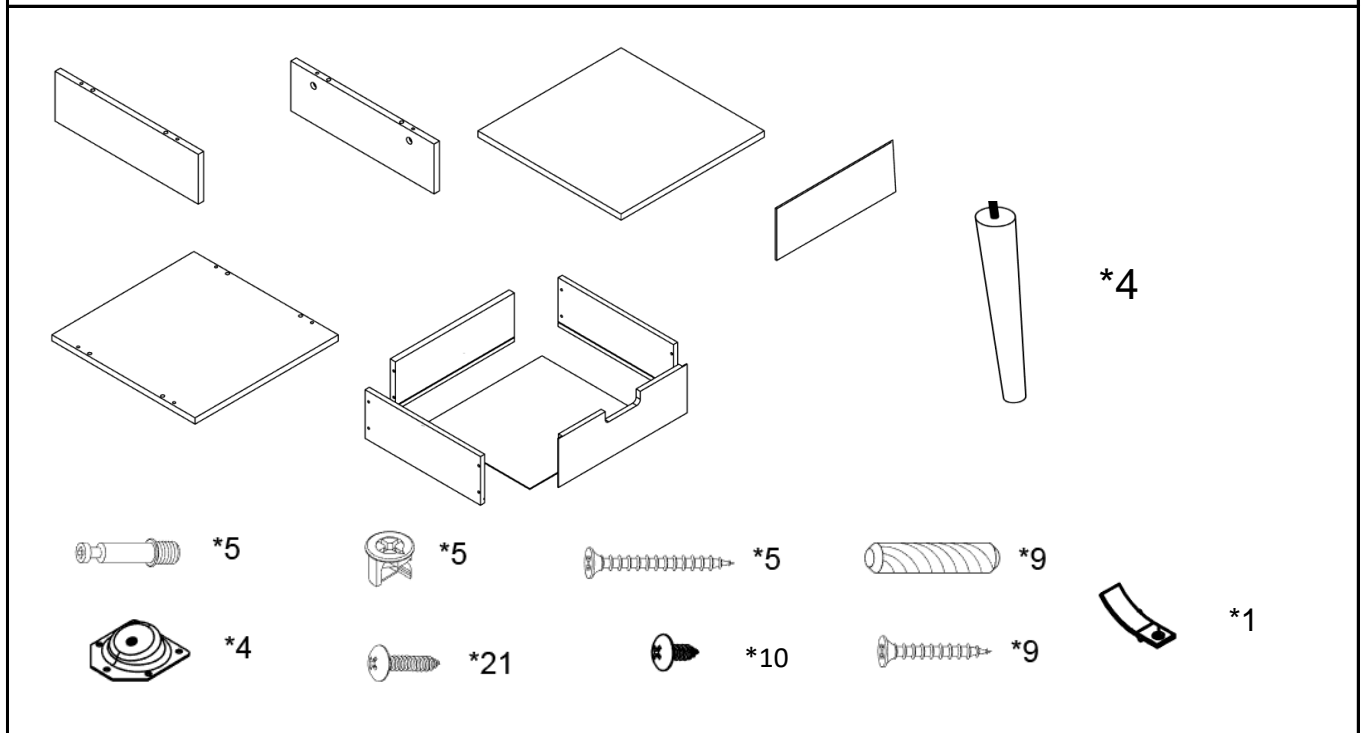
Hardware

Label	Picture	Description	QTY
①		Cam Bolt	5

②		Dowel (M8x30mm)	9
③		Cam Nut	5
④		Screw (M3x12mm)	10
⑤		Screw (M4x15mm)	21
⑥		Screw (M3x25mm)	9
⑦		Screw (M4x35mm)	5
⑧		Metal Plate	4
⑨		Screwdriver (Not provided)	1
⑩		Drawer Stopper	1

Assembly Preparation

Before Beginning Assembly:





- Read instructions, cover to cover-



- Have 2 adults on hand for assembly-



- Do not assemble on flooring or carpet-



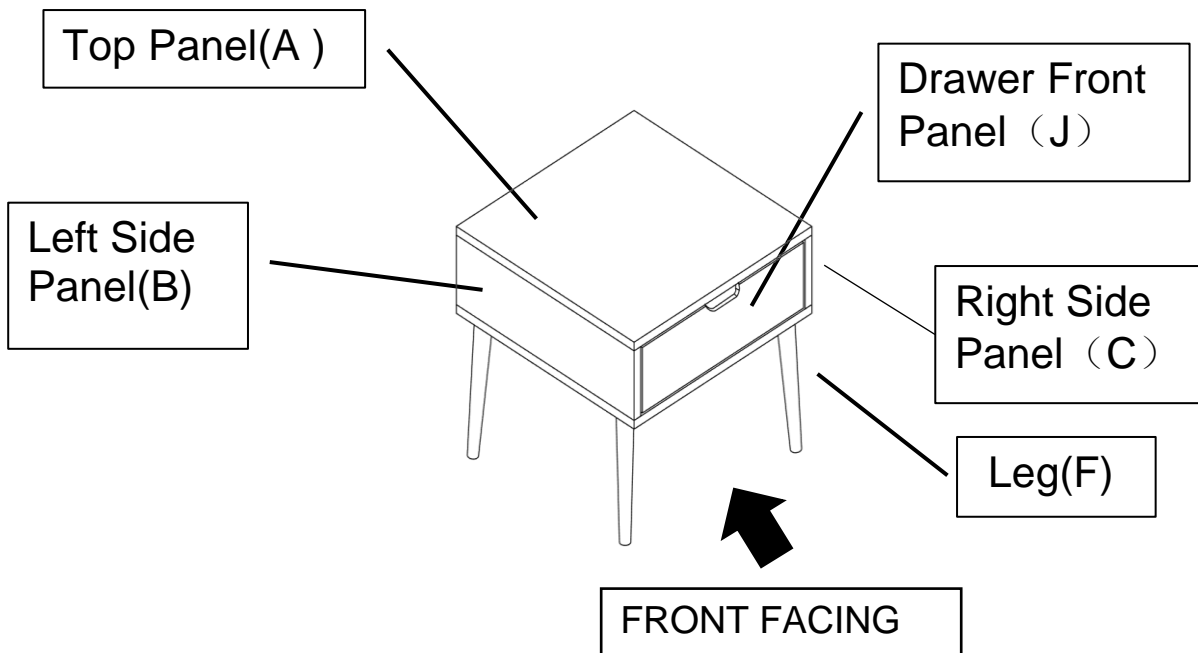
- Assemble on a clean non-marring surface (packing foam)-



- Save all packaging until finished-

Assembly Steps

Overview

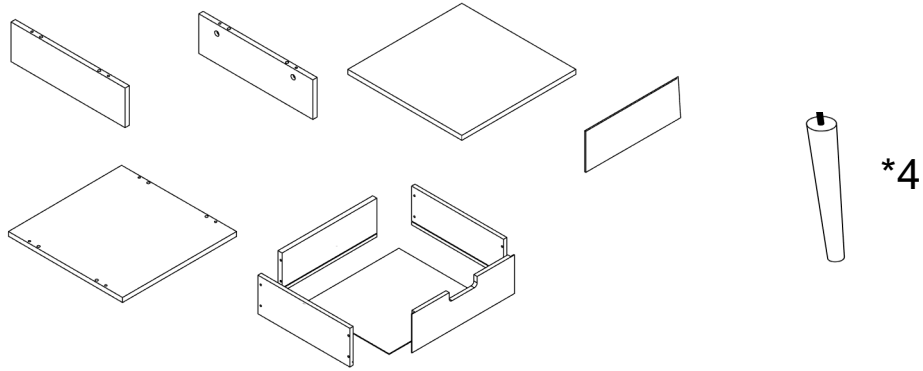


This End Table has multiple parts and may require up to 30 minutes to assemble.

To give you an overview of the End Table parts, the above picture is to help you put the various parts into perspective.

Please read through the instructions below to familiarise yourself with the parts and steps before assembly.

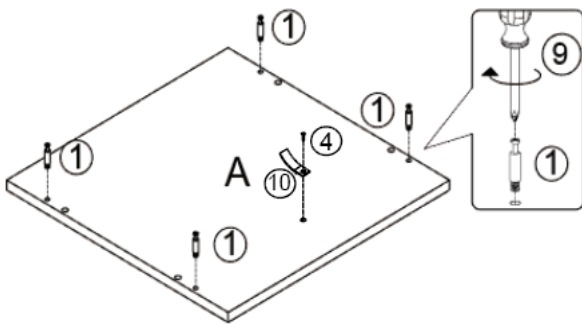
Step 1



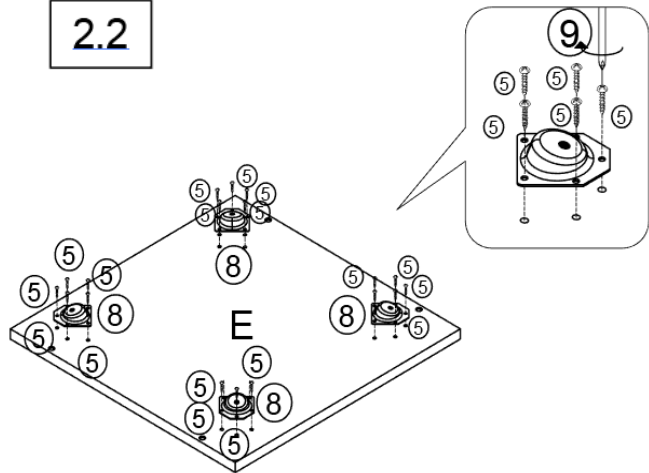
Unpack and place all parts on a clean, non-marring surface.

Step 2

2.1



2.2

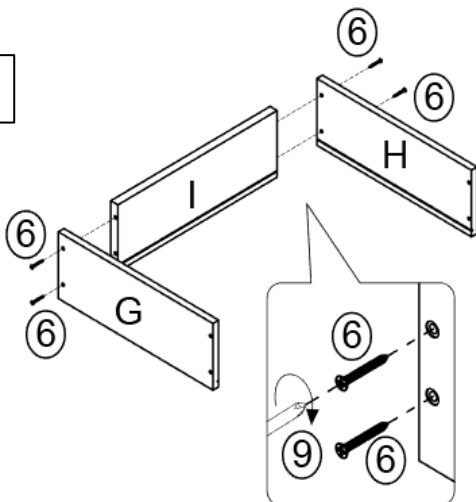


2.1) Insert Cam Bolt(①) into the mounting positions on Top Panel(A) using Screwdriver(⑨), attach Drawer Stopper(⑩) to the Top Panel(A) using Screw(④) with Screwdriver(⑨) as shown.

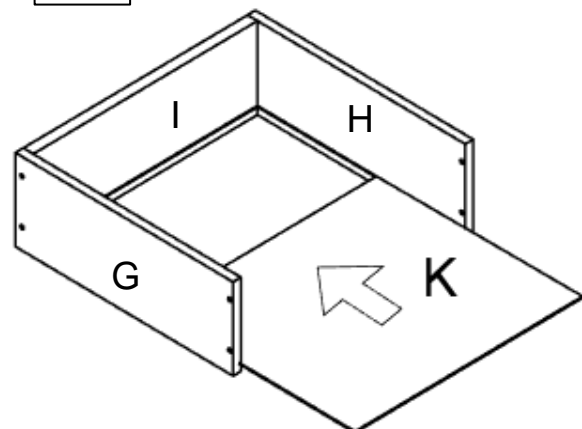
2.2) Attach Metal Plate(⑧) to the Bottom Panel(E) using Screw(⑤) with Screwdriver(⑨) as shown.

Step 3

3.1



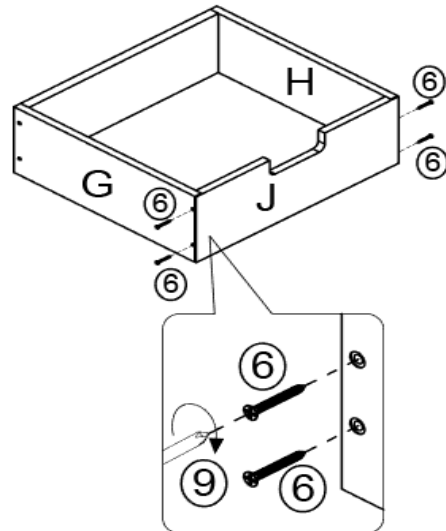
3.2



3.1) Attach Drawer Left Side Panel(G) and Drawer Right Side Panel(H) to the Drawer Back Panel(I) using Screw(⑥) with Screwdriver(⑨) as shown.

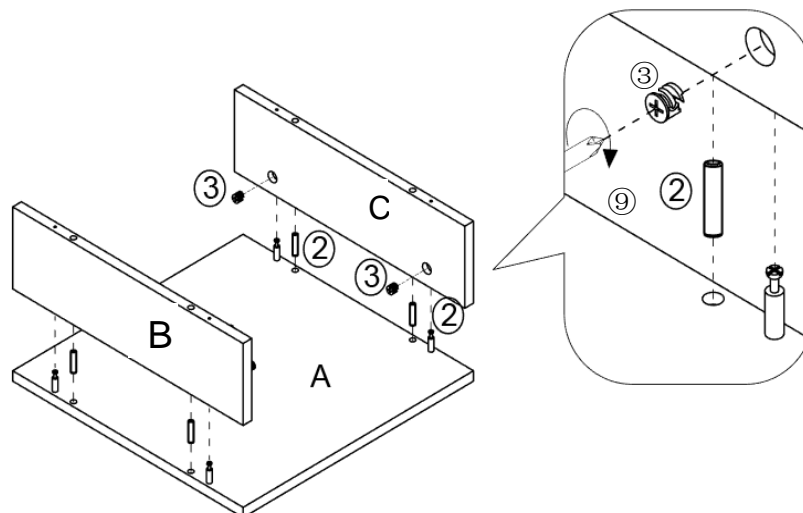
3.2) Insert Drawer Base Panel(K) into the grooves on Drawer Left Side Panel(G), Drawer Right Side Panel(H) and Drawer Back Panel(I).

Step 4



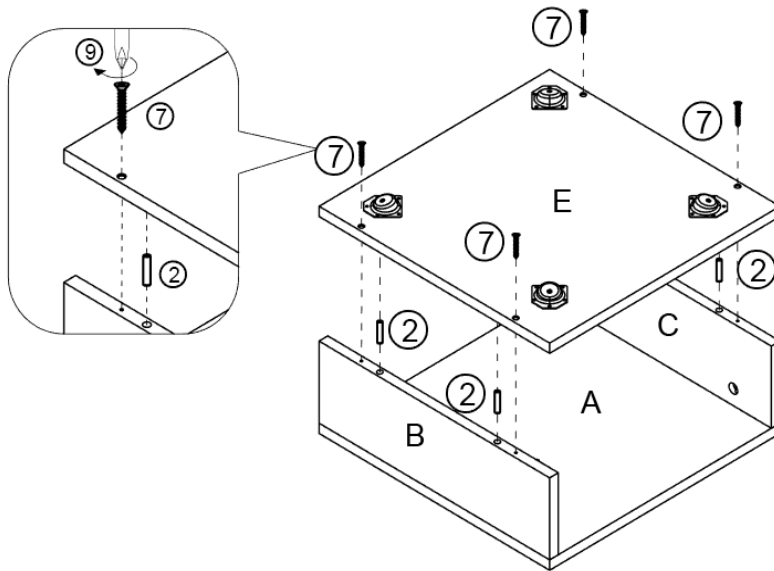
Attach Drawer Front Panel(J) into the Drawer Left Side Panel(G) and Drawer Right Side Panel(H) using Screw(⑥) with Screwdriver(⑨) as shown.

Step 5



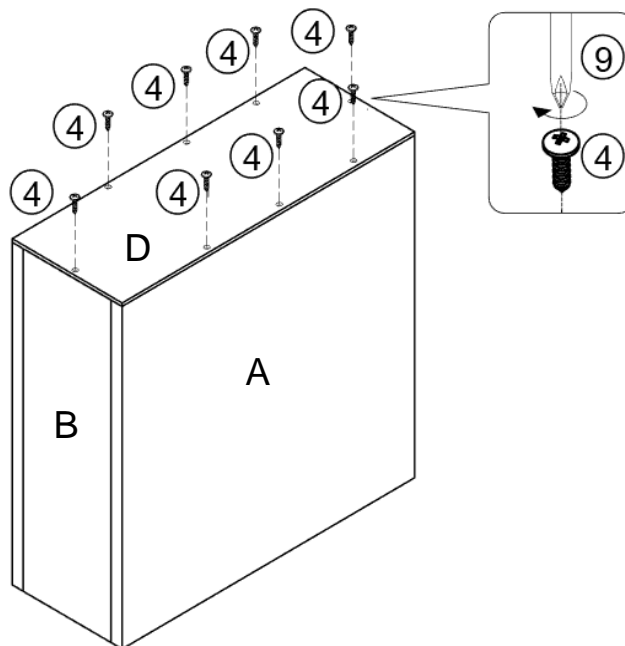
Insert Dowel(②) into the mounting positions on Left Side Panel(B), Right Side Panel(C) and Top Panel(A), Insert Cam Nut(③) into the mounting positions on Left Side Panel(B) and Right Side Panel(C), lock by turning Cam Nut(③) with Screwdriver(⑨)

Step 6



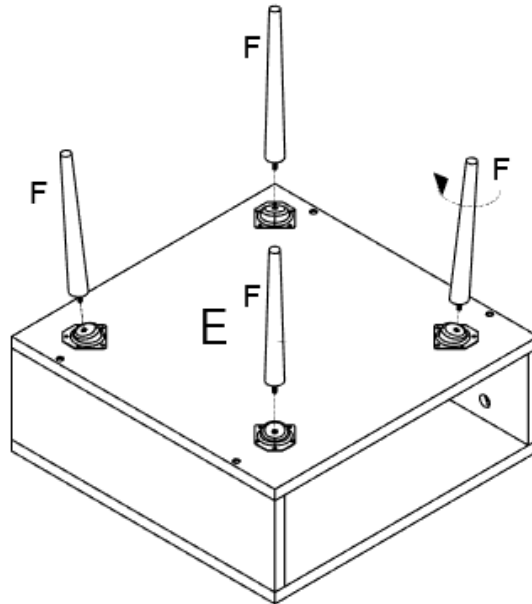
Insert Dowel(②) into Left Side Panel(B) and Right Side Panel(C), attach Bottom Panel(E) to the Dowel on Left Side Panel(B) and Right Side Panel(C) using Screw(⑦) with Screwdriver(⑨).

Step 7



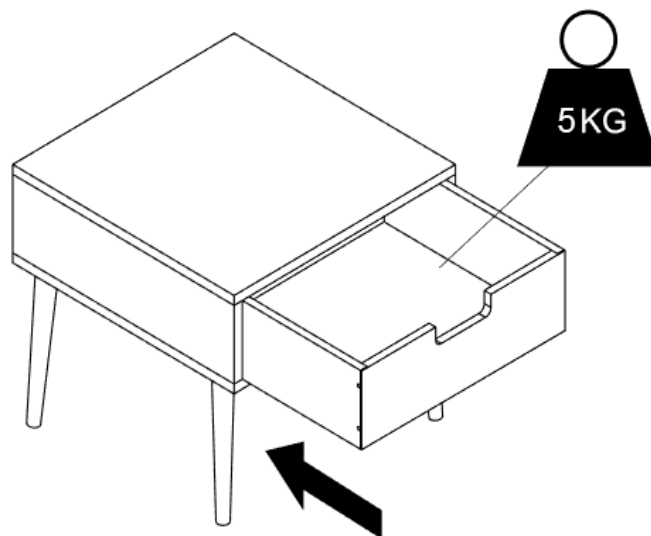
Attach Back Panel(D) to the Top Panel(A), Left Side Panel(B), Right Side Panel(C) and Bottom Panel(E) using Screw(④) with Screwdriver(⑨) as shown.

Step 8



Attach Leg(F) to the Bottom Panel(E), and then turn all legs clockwise to fasten them tightly.

Step 9













Carefully insert the drawer into the Nightstand.

Note: the load-bearing of Drawer is 5KG.

Your End Table is ready for use.

This End Table can only be used on a flat, level surface.

Care & Maintenance

-  Do not put hot items directly on furniture surface
 -  Do not clean furniture with harsh cleansers or polish.
 -  Do not place furniture under direct sunlight.
 -  Do not place furniture near heating or cooling vents.
 -  Do not write on furniture without a padded barrier to protect the surface.
 -  Do not place furniture outside . For indoor use only .
 -  Not for commercial use. For residential use only .
 -  Stains may be removed with mild soap solution and damp cloth.
 -  Children should not climb or jump on the furniture.
-
-  Dust and pick-up spills using a clean, non-colored, lint-free cloth .