
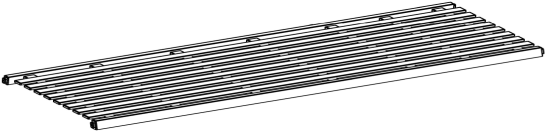
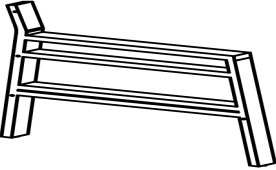
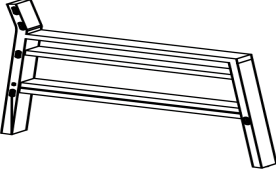
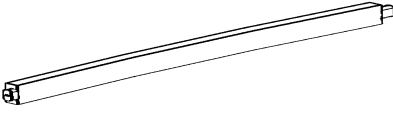
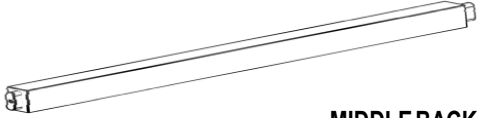
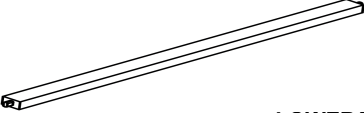


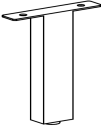
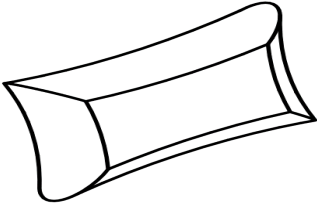
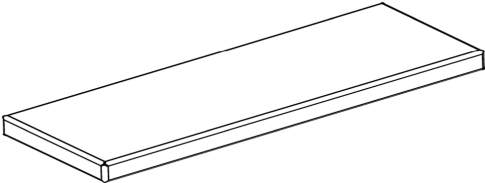
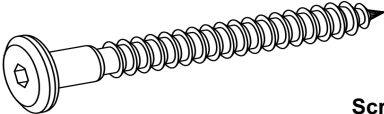
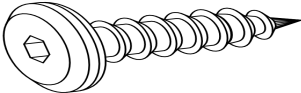
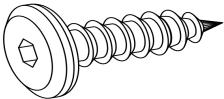
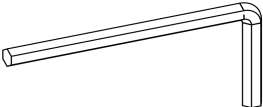
Hello! Please read these important attentions...

Please put a thick carpet on the ground to protect the furniture finish and corners. During the installation process, **DON' T** fasten screws tight 100% at a time.

ASSEMBLY INSTRUCTION

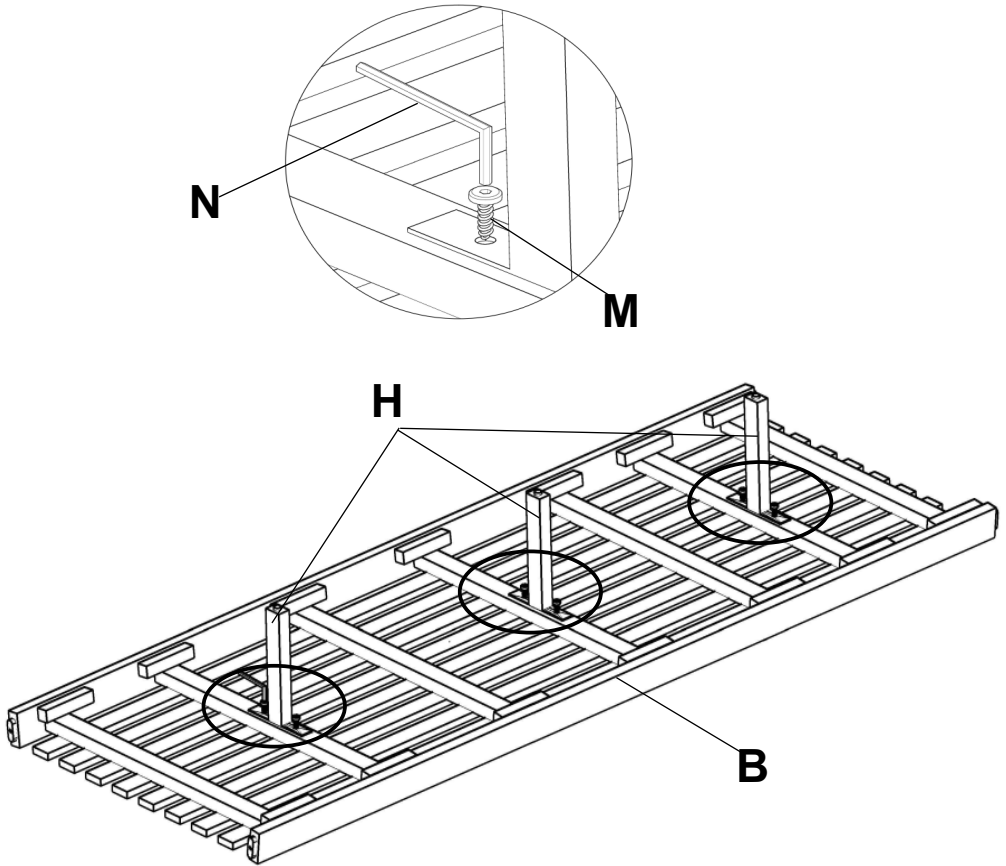
NUMBER	COMPONENT	QUANTITY
A	 <p>BACKREST PANLE</p>	1
B	 <p>SEAT PANLE</p>	1
C	 <p>LEFT LEGPANLE</p>	1
D	 <p>RIGHT LEGPANLE</p>	1
E	 <p>UPPER BACK SLAT</p>	4
F	 <p>MIDDLE BACK SLAT</p>	2
G	 <p>LOWER BACK SLAT</p>	2

ASSEMBLY INSTRUCTION

NUMBER	COMPONENT	QUANTITY
H	 <p>SUPPORT LEG</p>	3
I	 <p>BACK CUSHION</p>	3
J	 <p>SEAT CUSHION</p>	1
K	 <p>Screw (6x90mm)</p>	11
L	 <p>Screw (6x25mm)</p>	7
M	 <p>Screw (6x20mm)</p>	7
N	 <p>Allen Wrench</p>	2

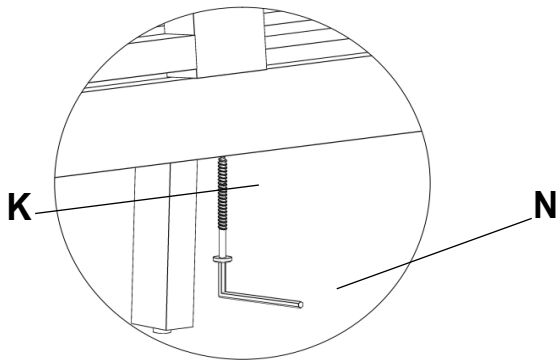
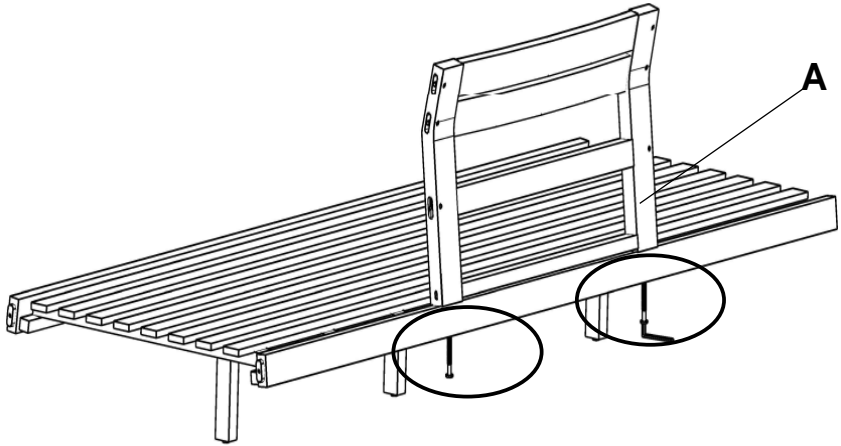
ASSEMBLY INSTRUCTION

①



With the help of your adult partner, place the Seat Panel (B) with its underside skywards onto a clean, soft surface to avoid any scratch or damage to the product.
Attach the Support Leg (H) to the Seat Panel (B) by using Screws (M) and Allen Wrench (N) as shown above.

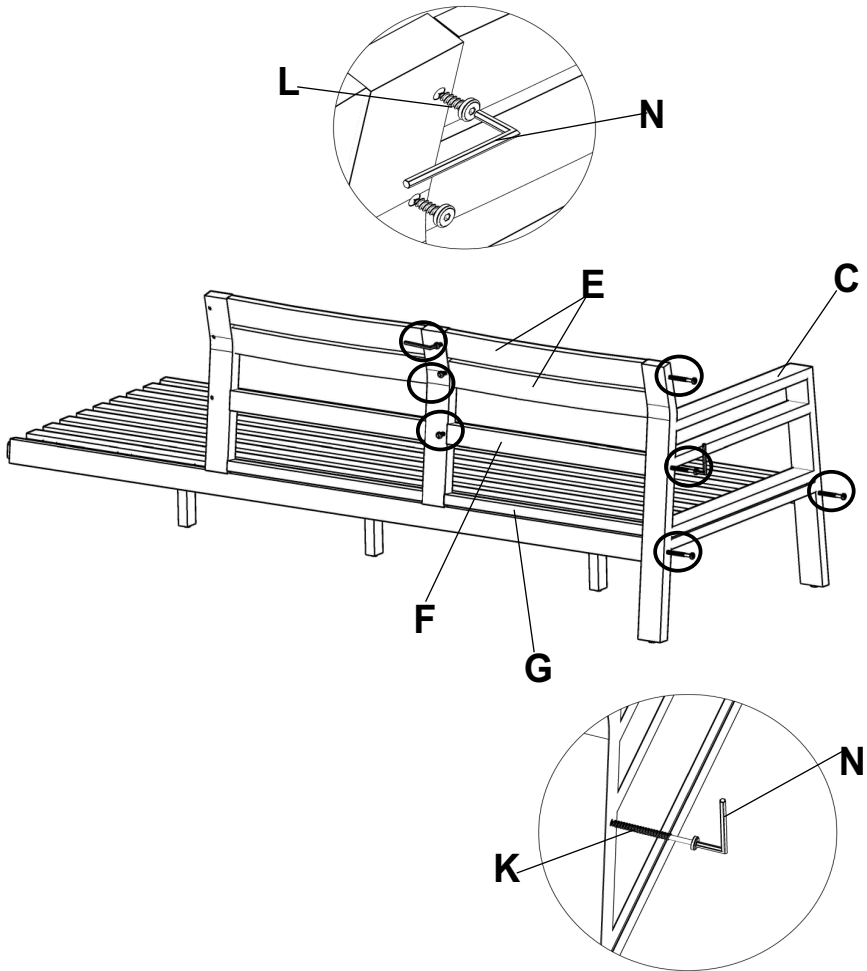
②



With the help of your adult partner
Attach the Backrest panel (A) to the Seat Panel (B) by using Screws (K) and Allen Wrench (N) as shown above.
Note : only eighteen 80%.

ASSEMBLY INSTRUCTION

③



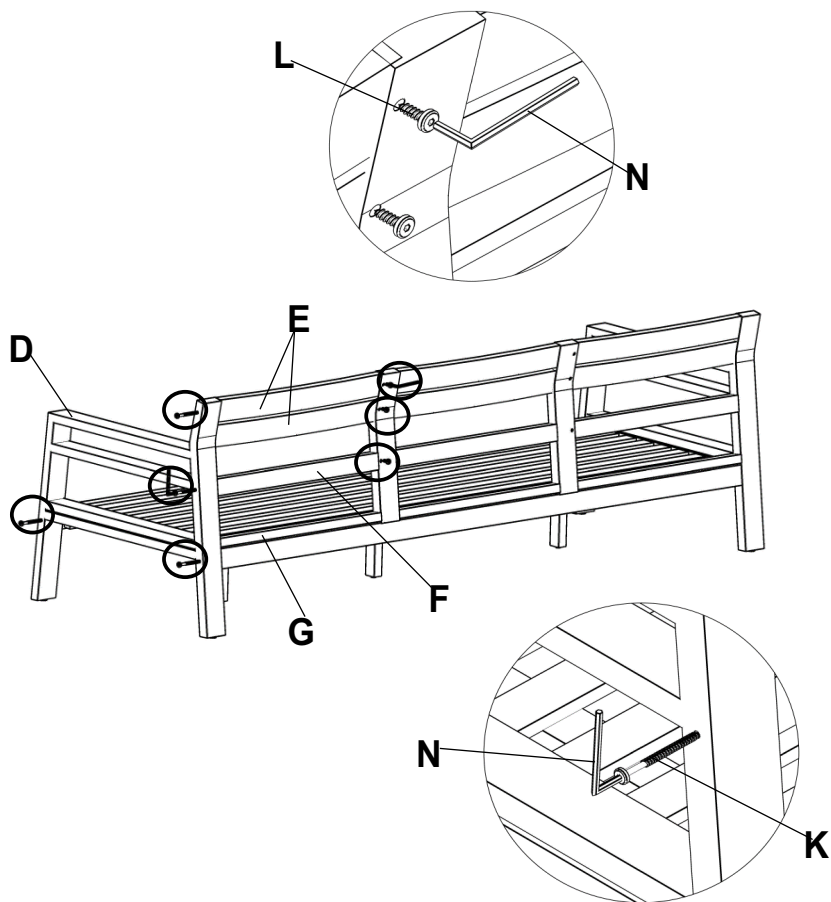
With the help of your adult partner,

Attach the Left Leg Panel (C) to the Seat Panel (B) and then secure by using Screws (K) and Allen Wrench (N)

Put the tenons of the remaining Upper Back Slats (E) and Middle Back Slats (F) and Lower Back Slats (G) as shown above.

Note : only eighteen 80%.

④



With the help of your adult partner, attach the Right Leg Panel (D) to the assembled part in Step 3 and then secure the Right Leg Panel (D) to the Upper Back Slats (E), Middle Back Slats (F) and Lower Back Slats (A) by using Screws (K), Screws (L) and Allen Wrench (N) as shown above.

5

