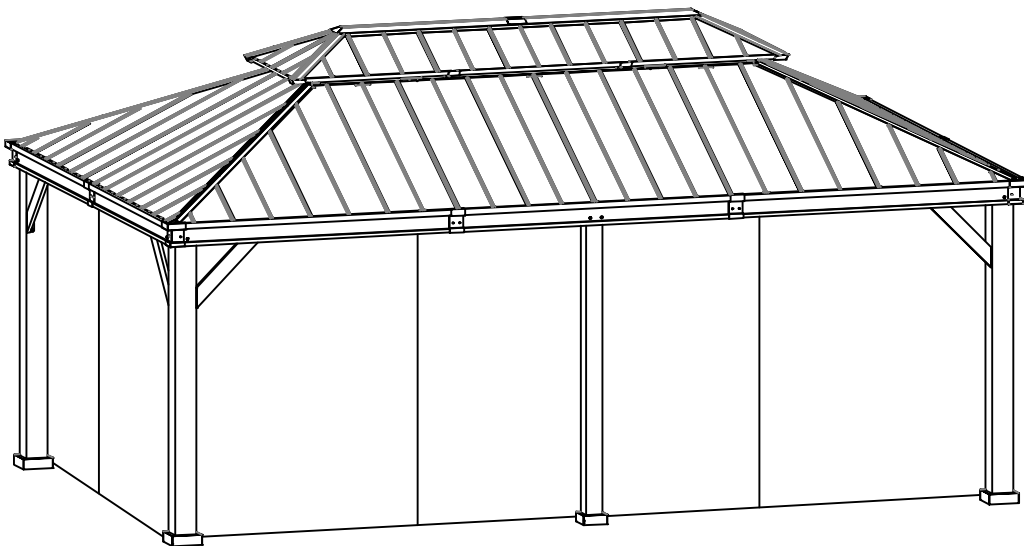


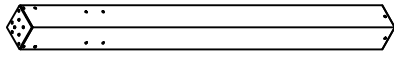
12FT x 20FT

WQG-016MS

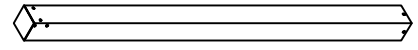


ATTENTION:

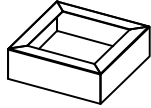
1. The gazebo comes with 6 boxes. Sometimes they may be delivered on different dates. Please wait another 2-3 days or contact us for assistance.
2. Please check the manual carefully to make sure you have received all the parts.
3. If there is anything missing, please tell us the letter of the parts you need.
4. If there is any damage, please send us clear photos, we will check and give you the best solution as soon as possible.



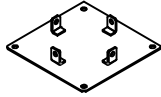
A 4x



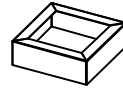
A1 2x



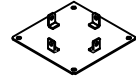
B2 4x



C2 4x



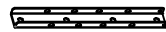
B3 2x



C3 2x



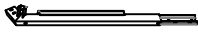
D1 2x



D2 1x



E1 2x



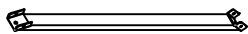
E2 2x



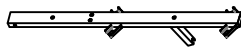
E3 2x



E4 2x



E5 3x



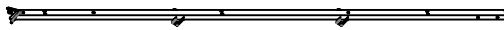
F1 4x



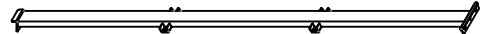
F2 4x



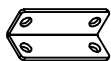
F3 2x



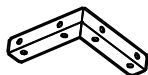
G 4x



H 8x



J1 12x



J2 4x



J3 4x



J5 6x



J7 6x



P 3x



NA 2x



NB 2x



NC 2x



ND 2x



NE 2x



L1 4x



L2 12x



L3 2x



L4 4x



L5 4x



L7 4x



L8 4x



M1 2x



M2 2x



M3 2x



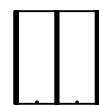
M4 2x



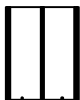
P1 4x



P2 4x



P3 8x



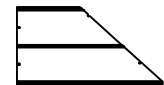
P4 2x



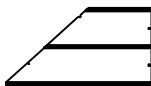
Q1 4x



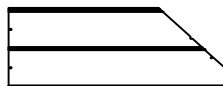
Q2 4x



Q3 4x



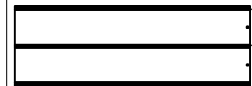
Q4 4x



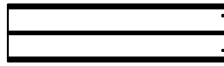
Q5 4x



Q6 4x



Q7 10x



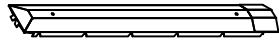
Q8 4x



R3 4x



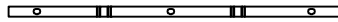
R1 1x



R2 1x



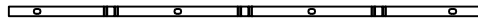
R4 4x



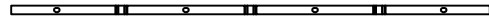
S1 4x



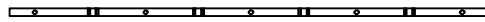
S2 4x



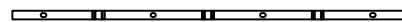
S3 4x



S4 8x



S5 4x



S6 2x



T1 2x



T2 2x



T6 2x



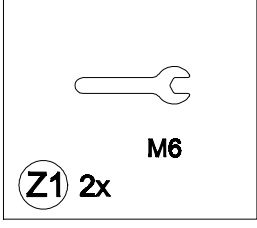
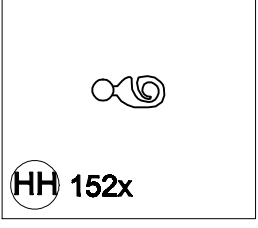
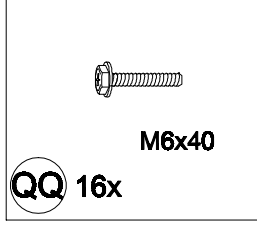
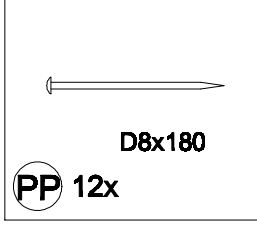
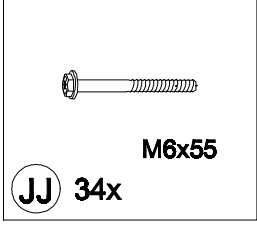
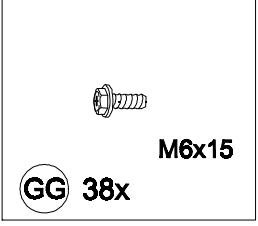
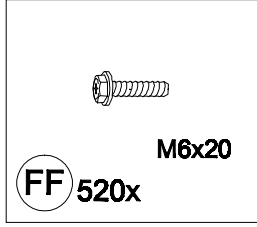
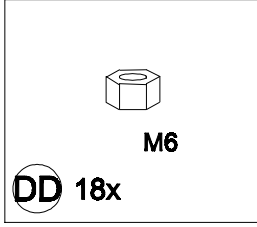
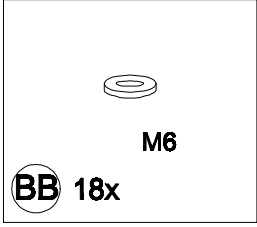
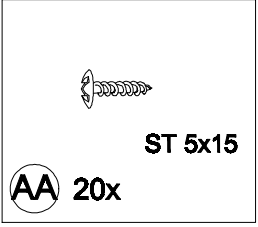
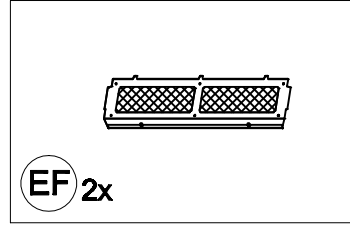
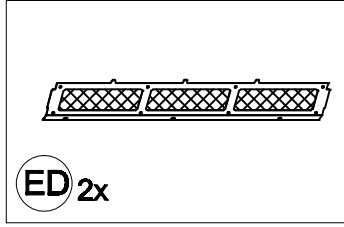
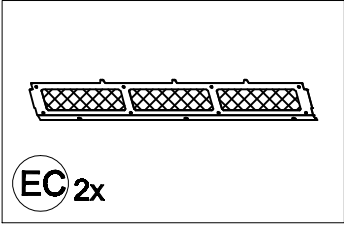
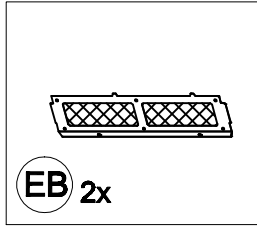
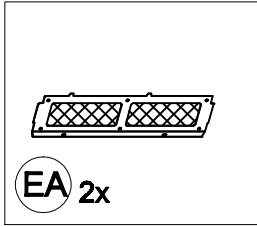
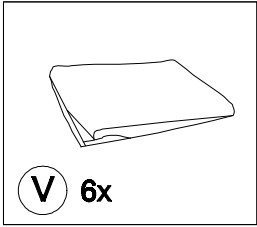
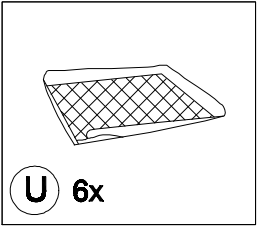
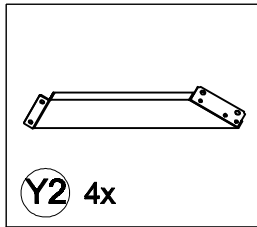
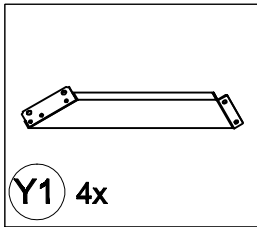
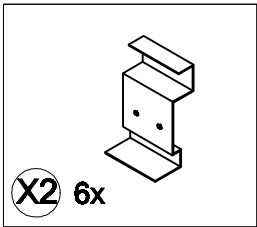
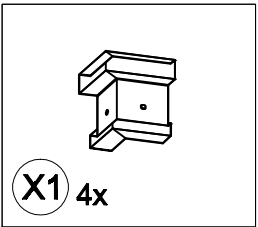
T7 2x



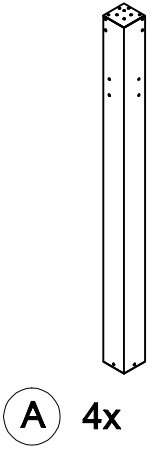
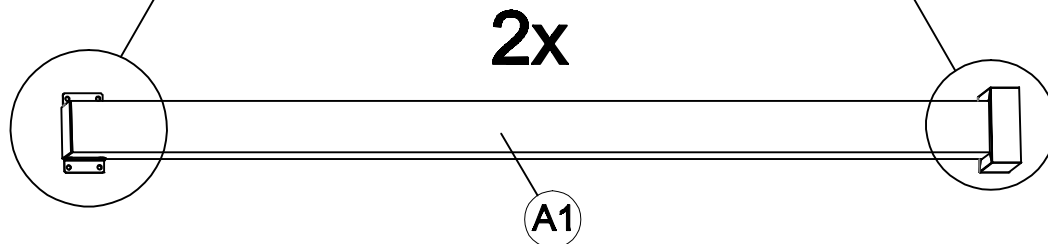
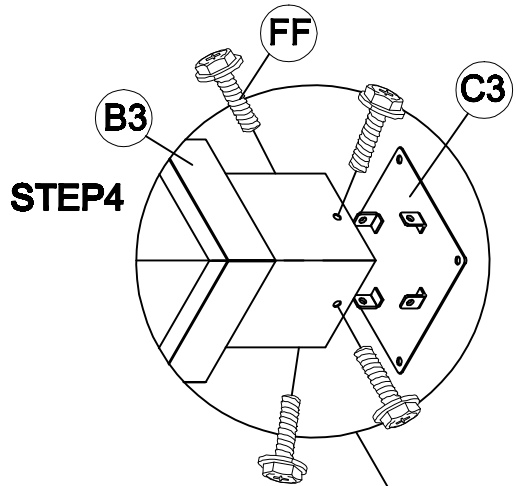
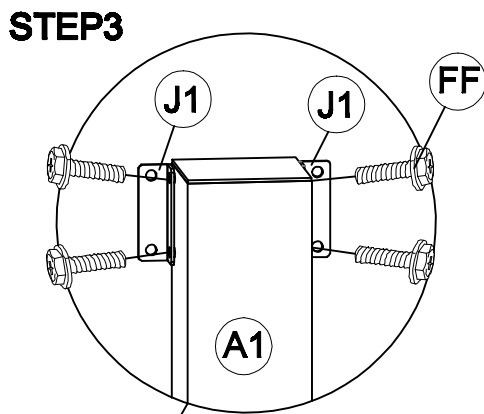
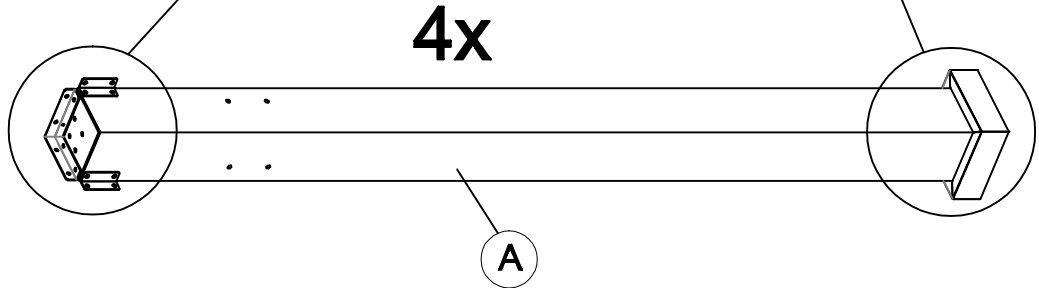
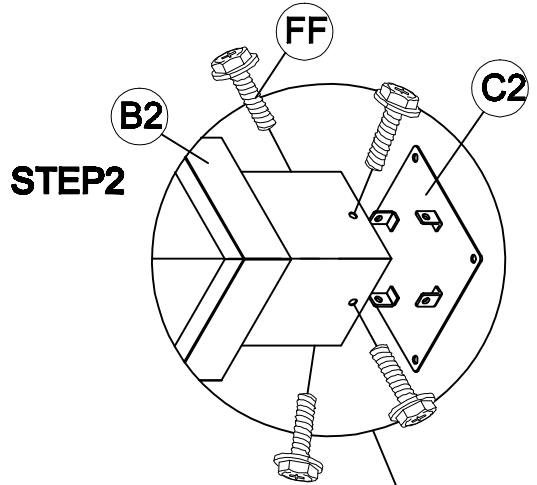
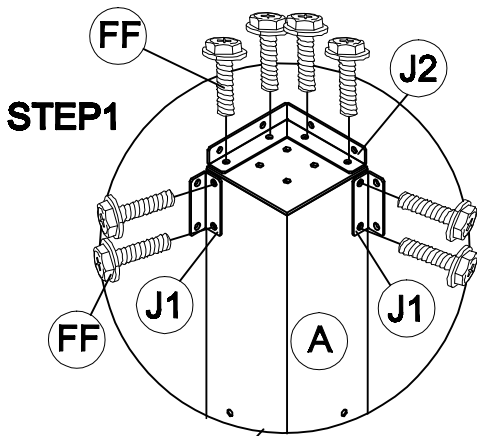
T8 2x



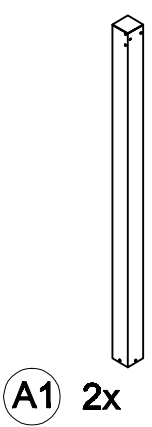
T9 2x



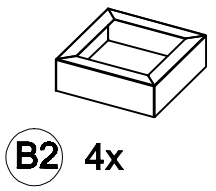
<1>



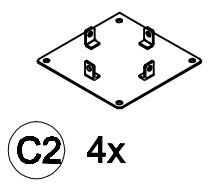
A 4x



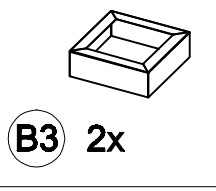
A1 2x



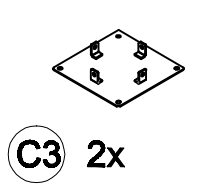
B2 4x



C2 4x

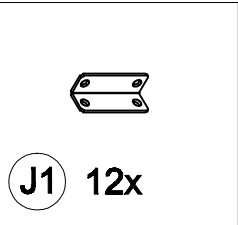


B3 2x

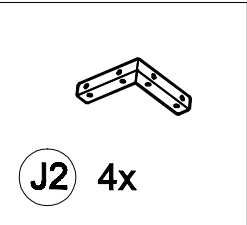


C3 2x

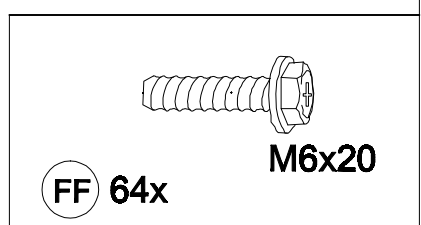
6



J1 12x



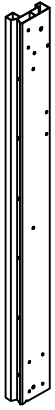
J2 4x



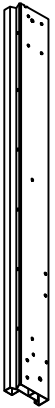
FF 64x

M6x20

<2>



NA 2x



NB 2x

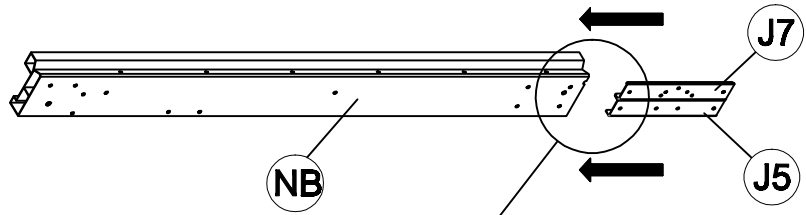


J7 2x

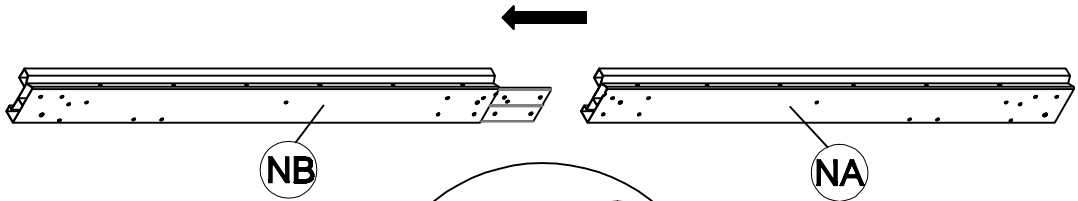
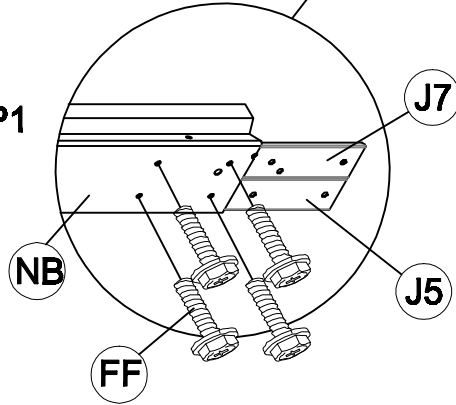


J5 2x

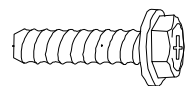
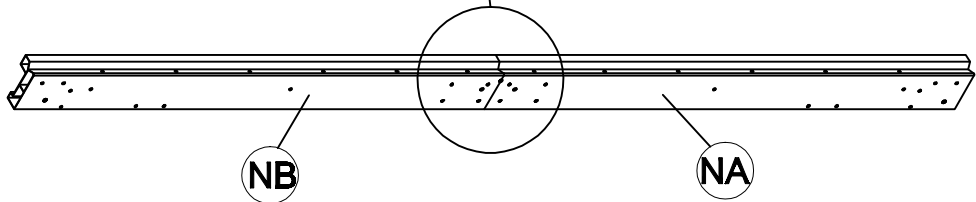
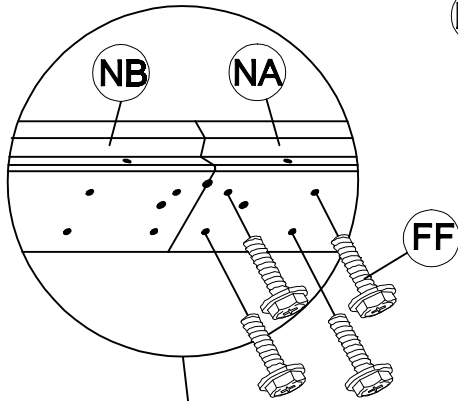
7



STEP1



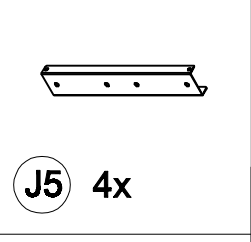
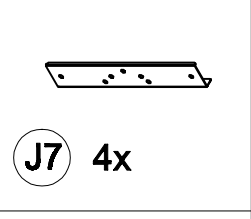
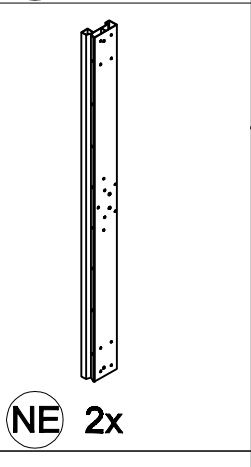
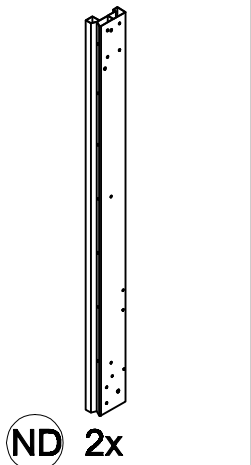
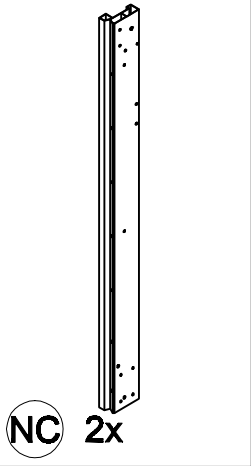
STEP2



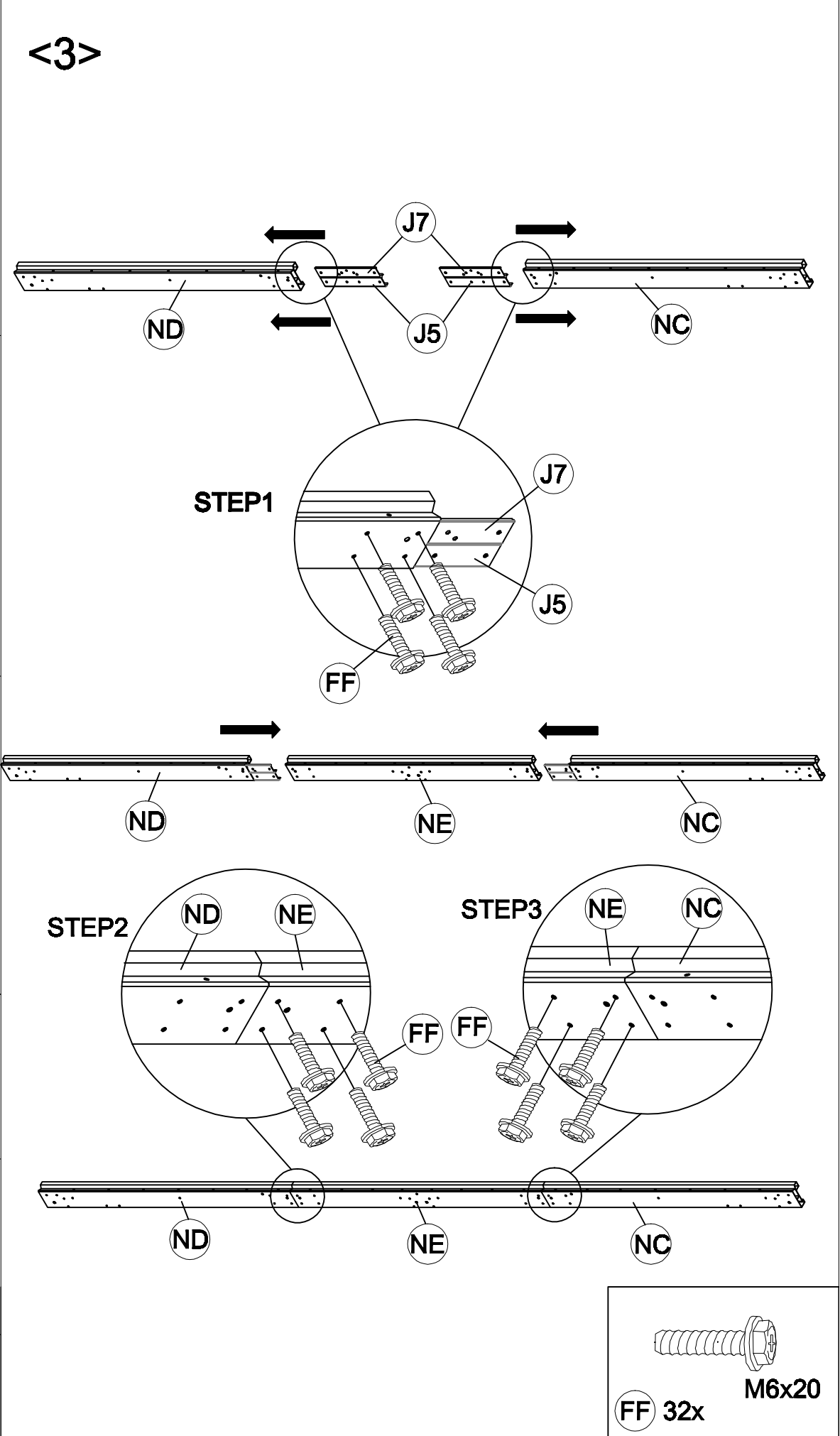
FF 16x

M6x20

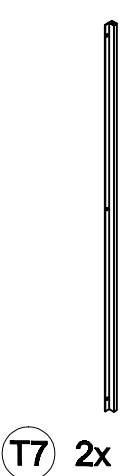
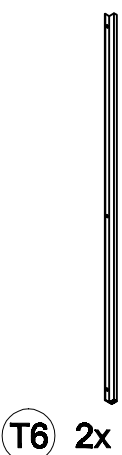
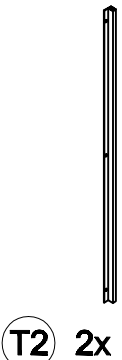
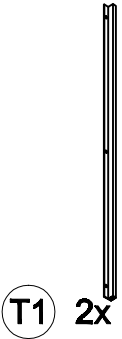
<3>



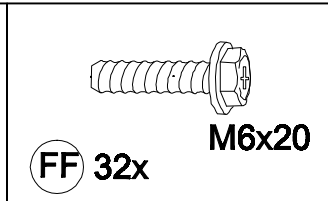
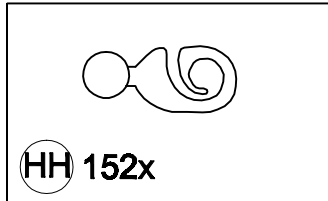
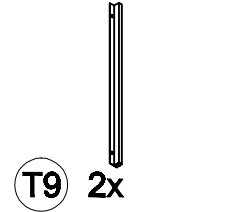
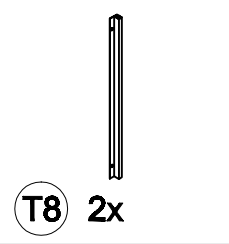
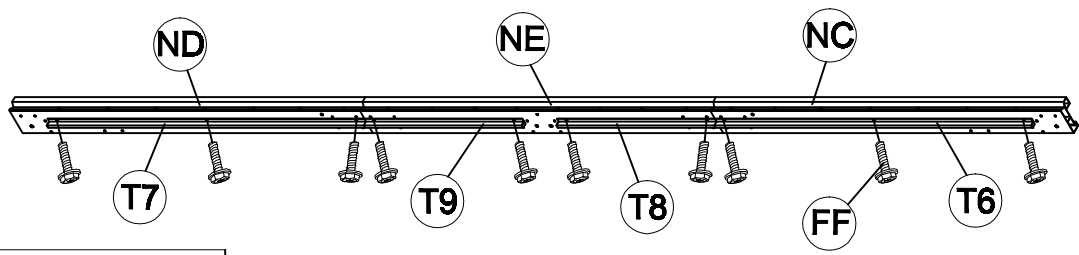
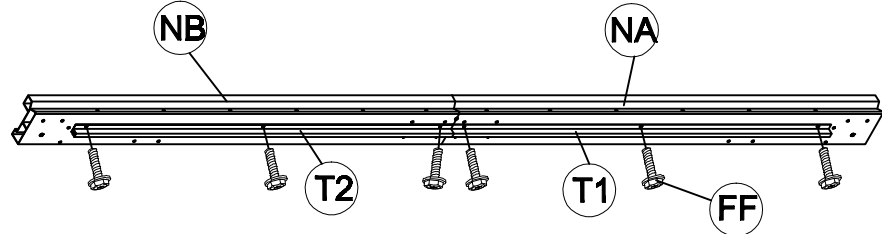
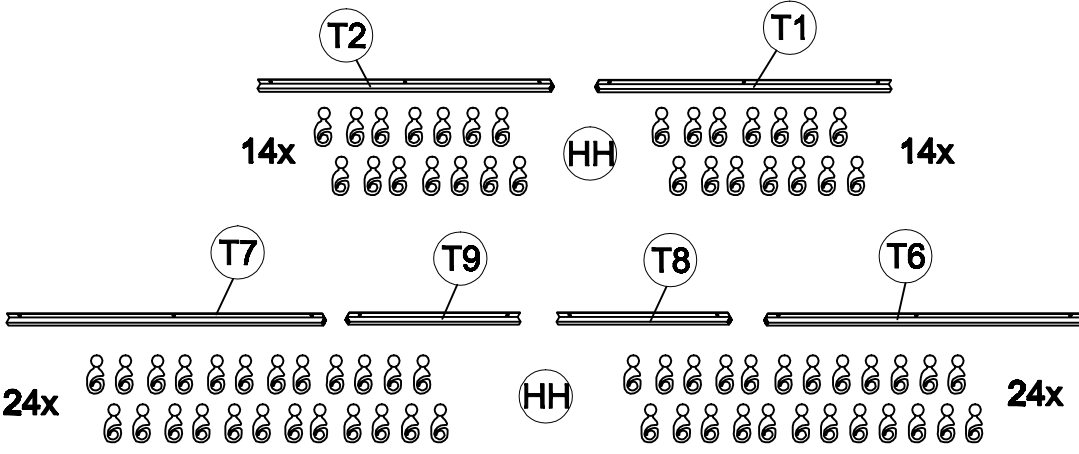
8



<4>



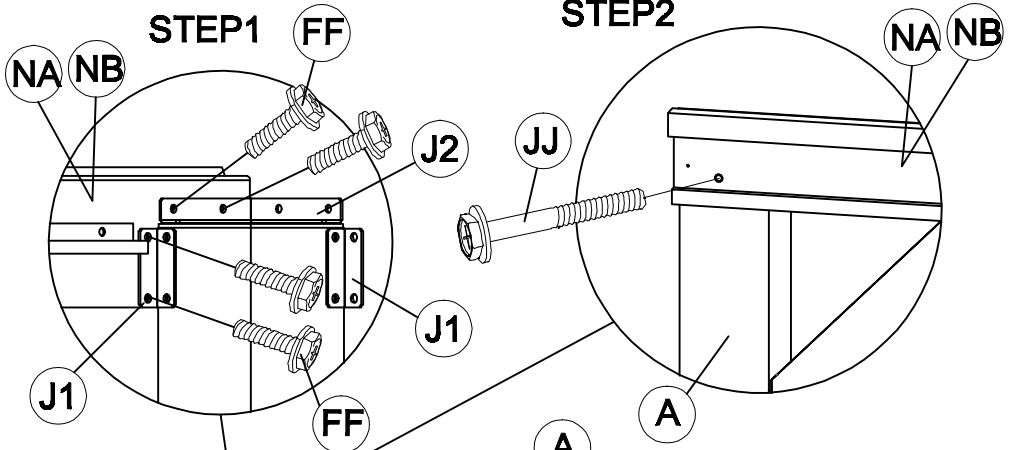
9



<5>

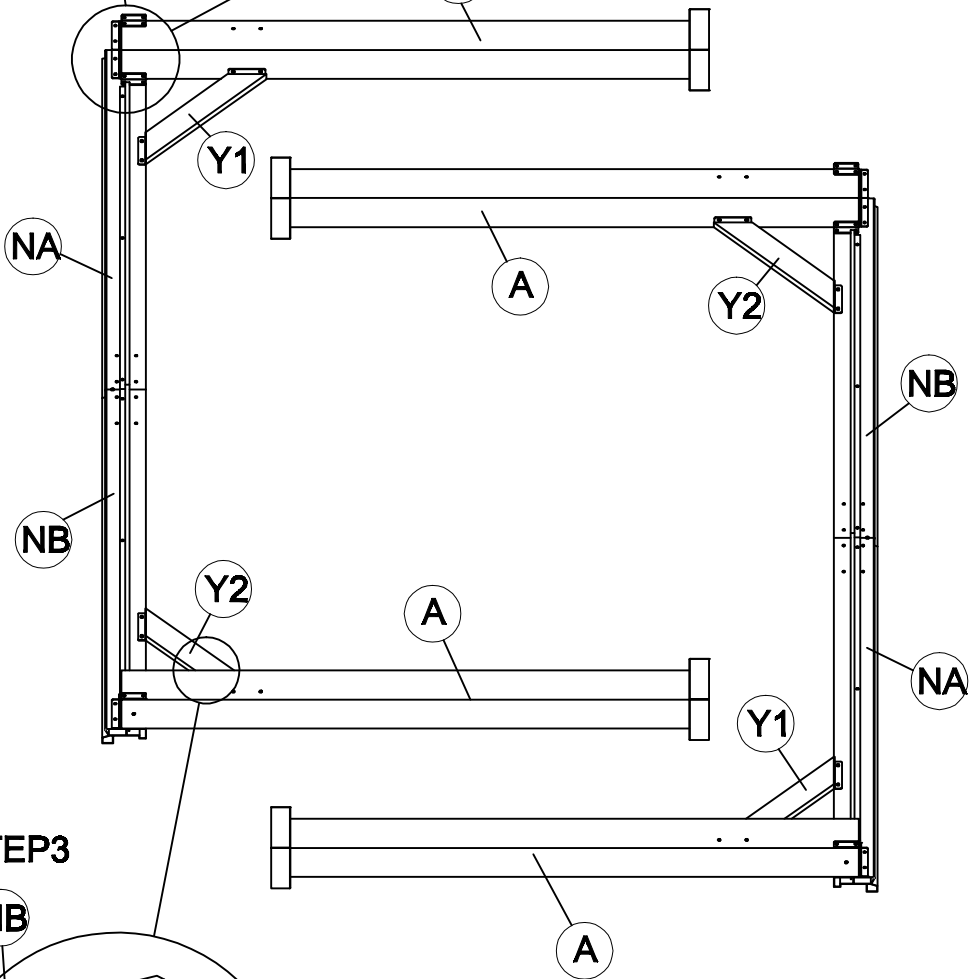
STEP1

STEP2

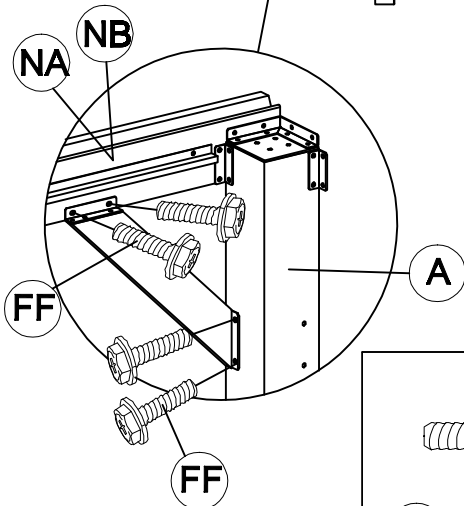


Y1 2x

Y2 2x

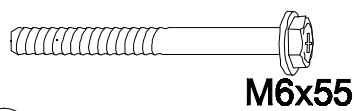


STEP3



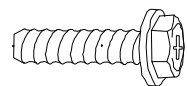
10

JJ 4x



M6x55

FF 32x

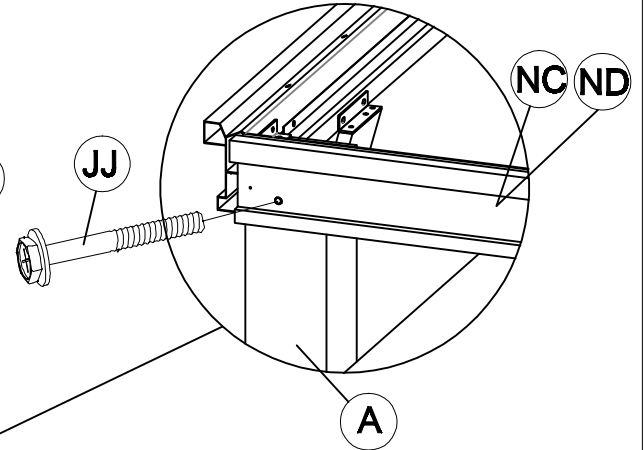
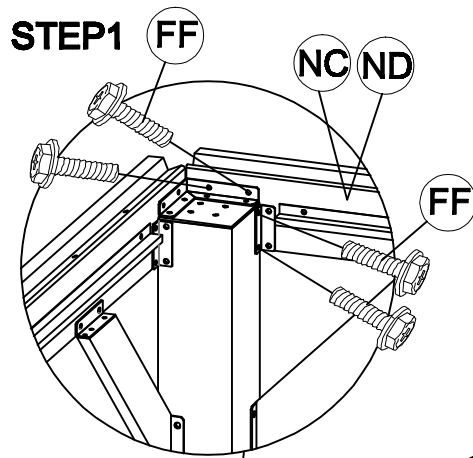
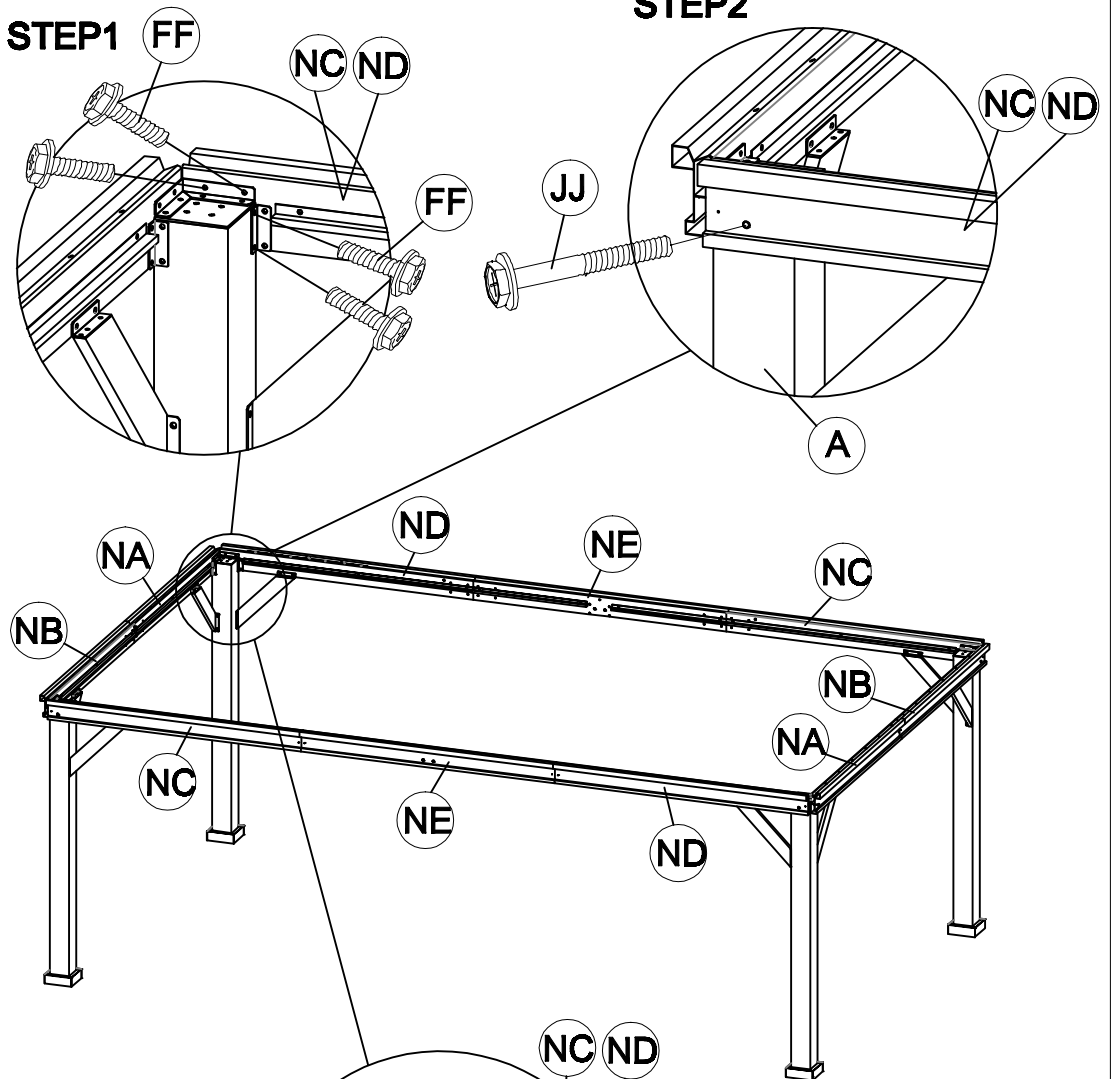


M6x20

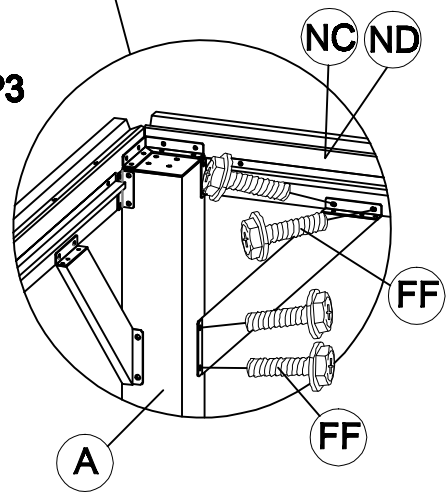
<6>

STEP1

STEP2



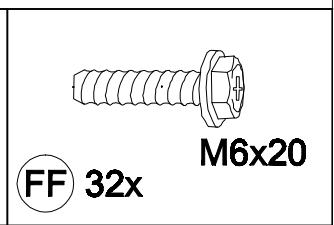
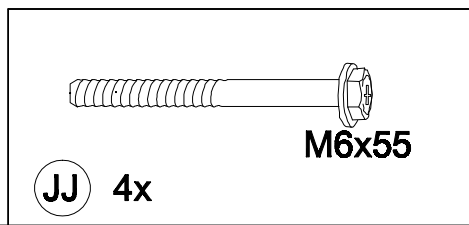
STEP3



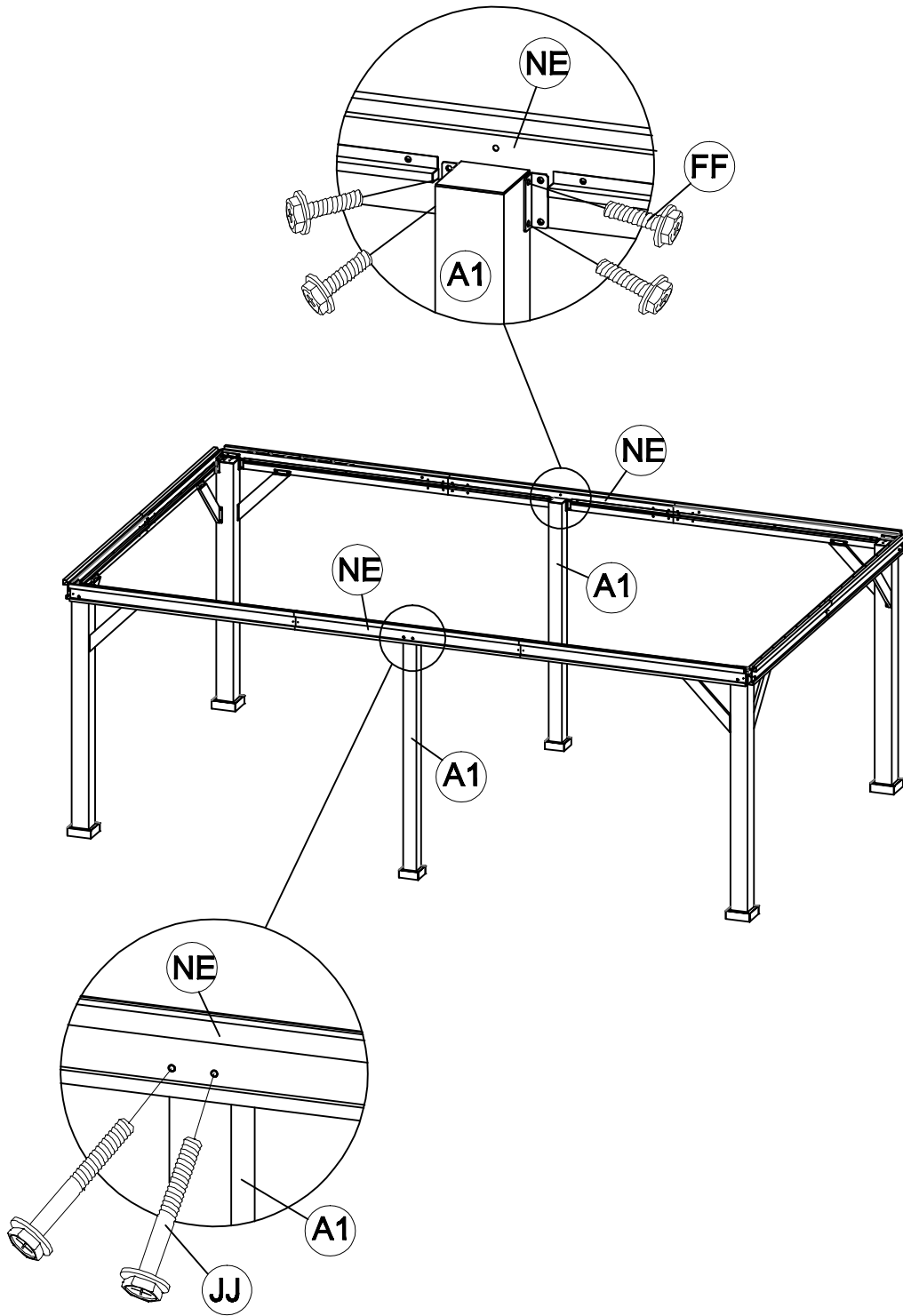
Y1 2x

Y2 2x

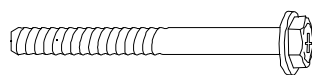
11



<7>

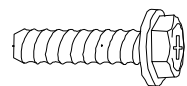


12



Ⓝ JJ 4x

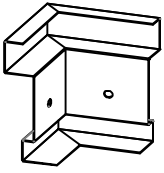
M6x55



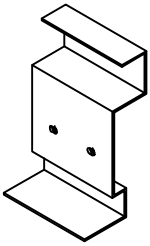
Ⓝ FF 8x

M6x20

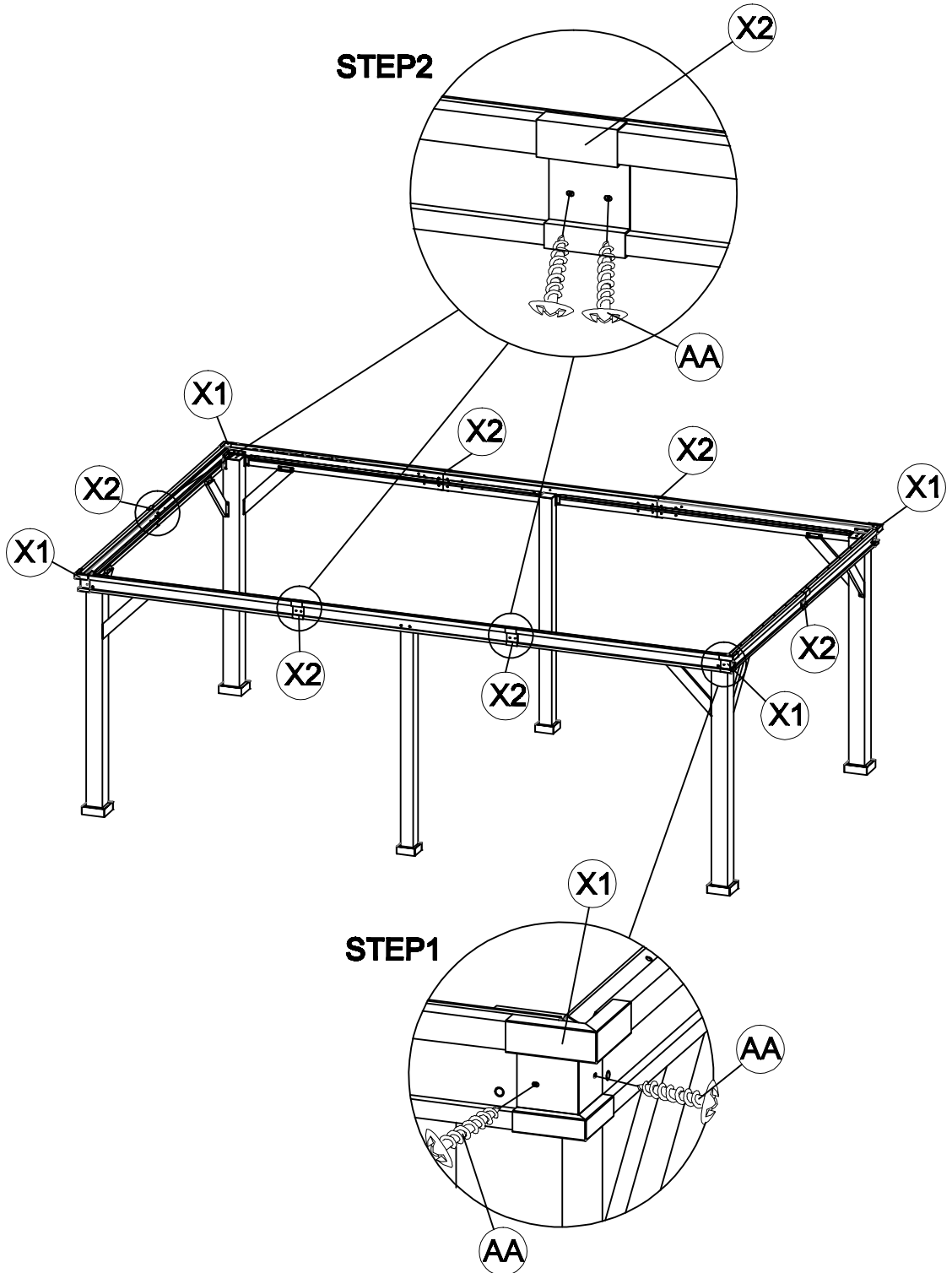
<8>



X1 4x



X2 6x



M5x15

AA 20x

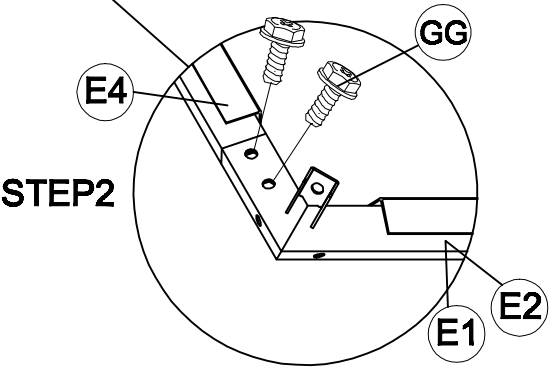
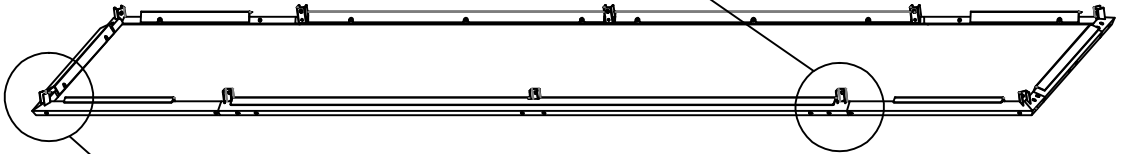
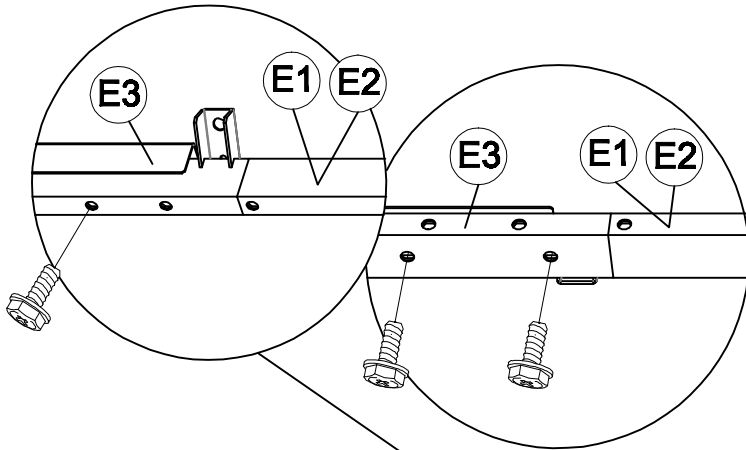
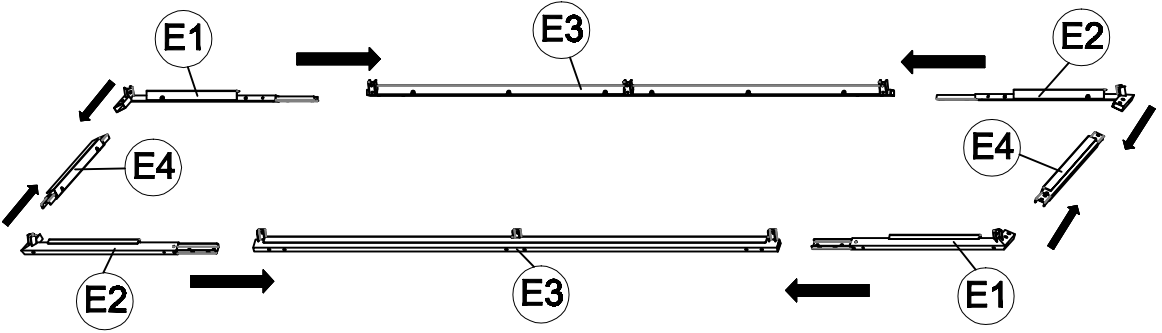
<9>

E1 2x

E2 2x

E3 2x

E4 2x

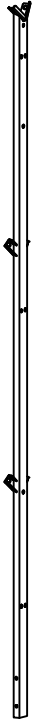


GG M6x15 20x

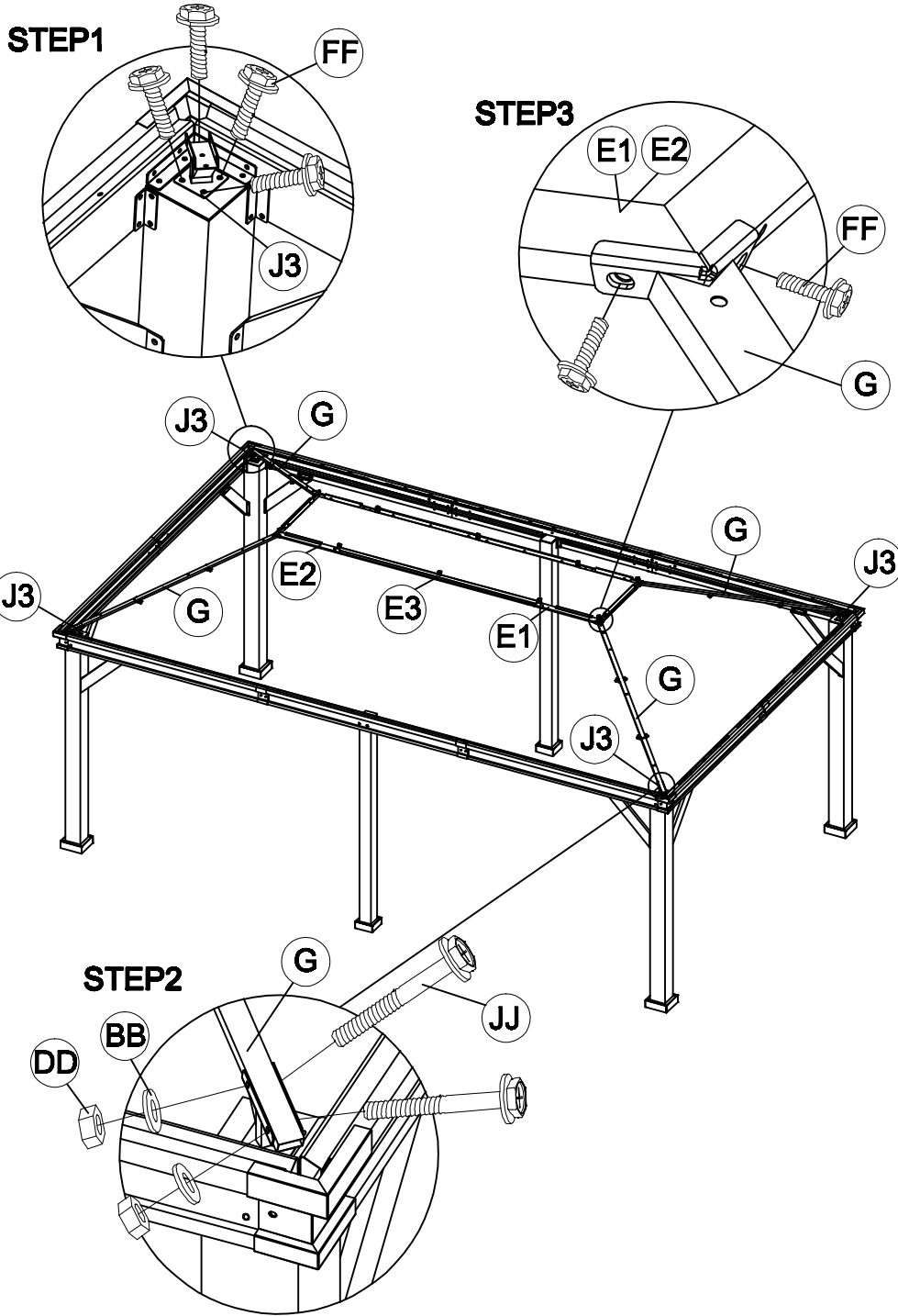
<10>



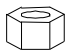
J3 4x




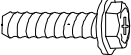
G 4x

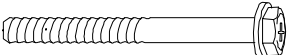


15


DD M6
8x


BB M6
8x


FF 24x
M6x20

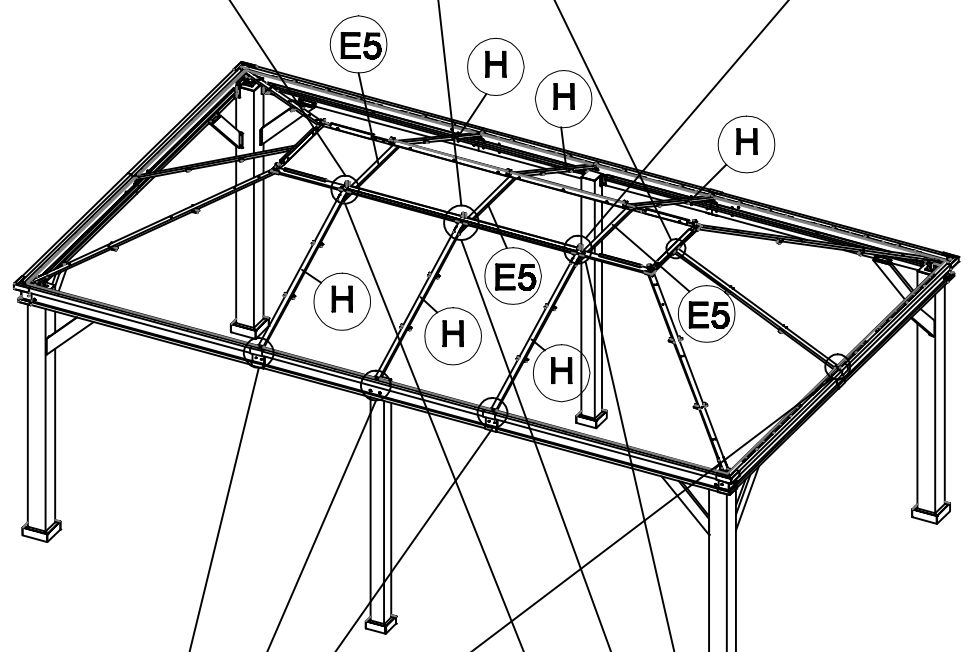
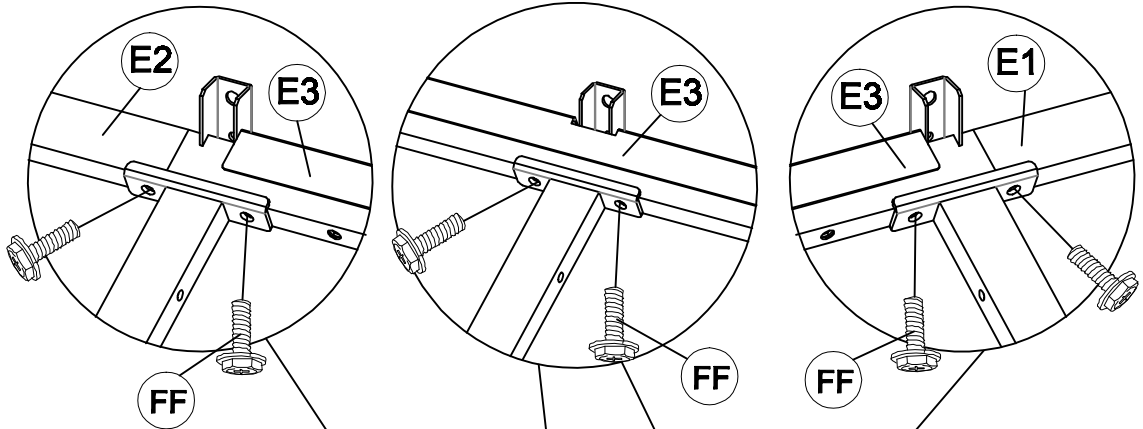

JJ 8x
M6x55

<11>

STEP2

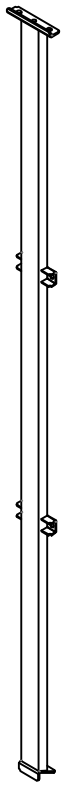
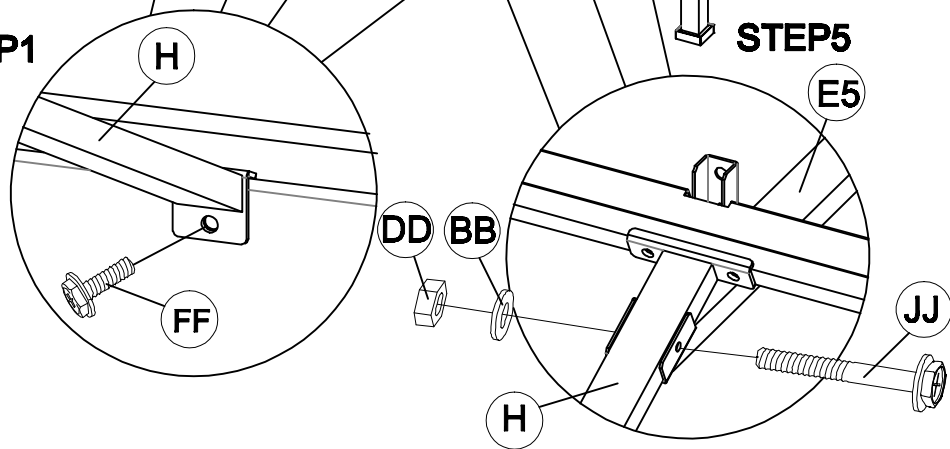
STEP3

STEP4

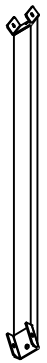


STEP1

STEP5

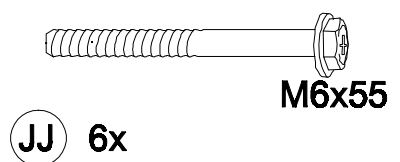
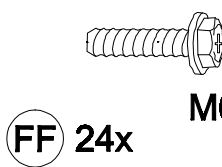
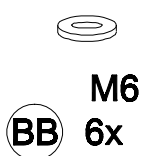
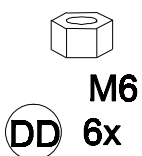


(H) 8x

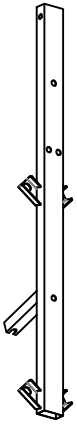


(E5) 3x

16



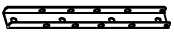
<12>



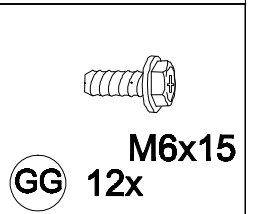
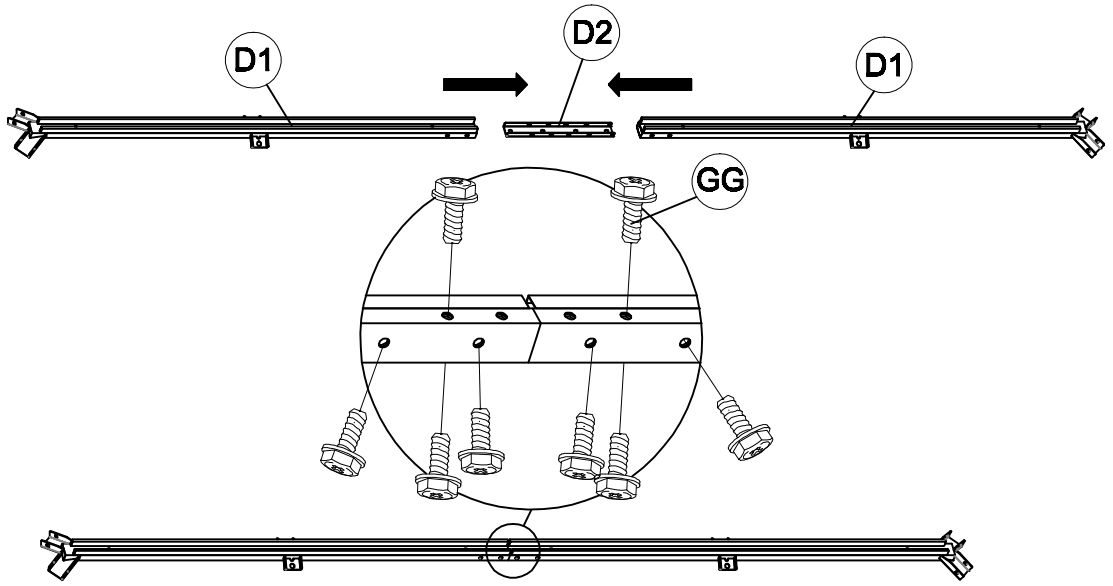
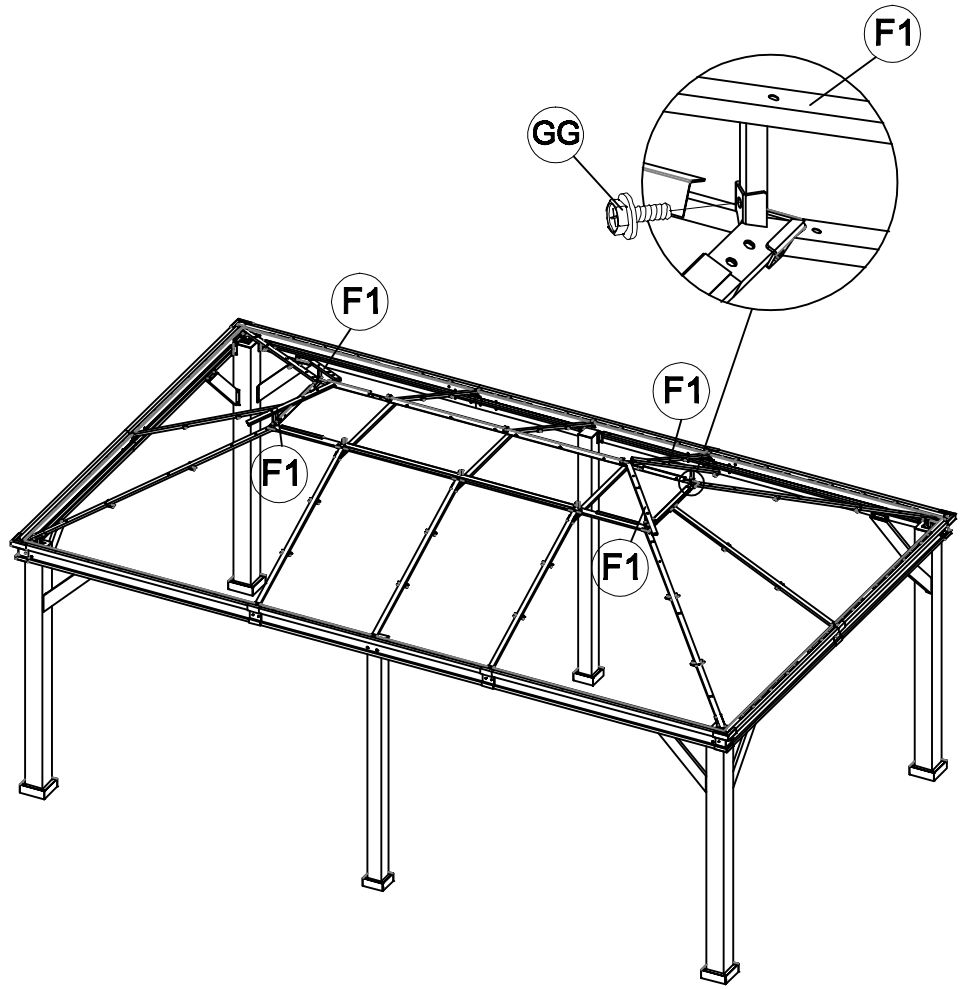
F1 4x



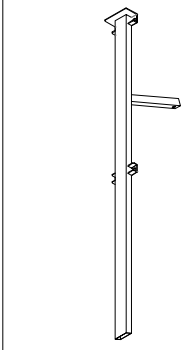
D1 2x



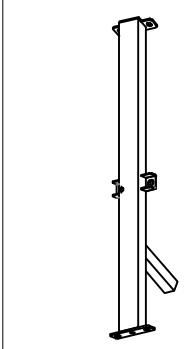
D2 1x



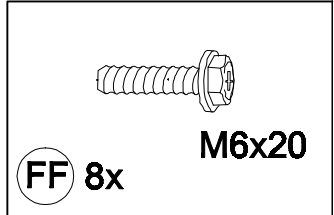
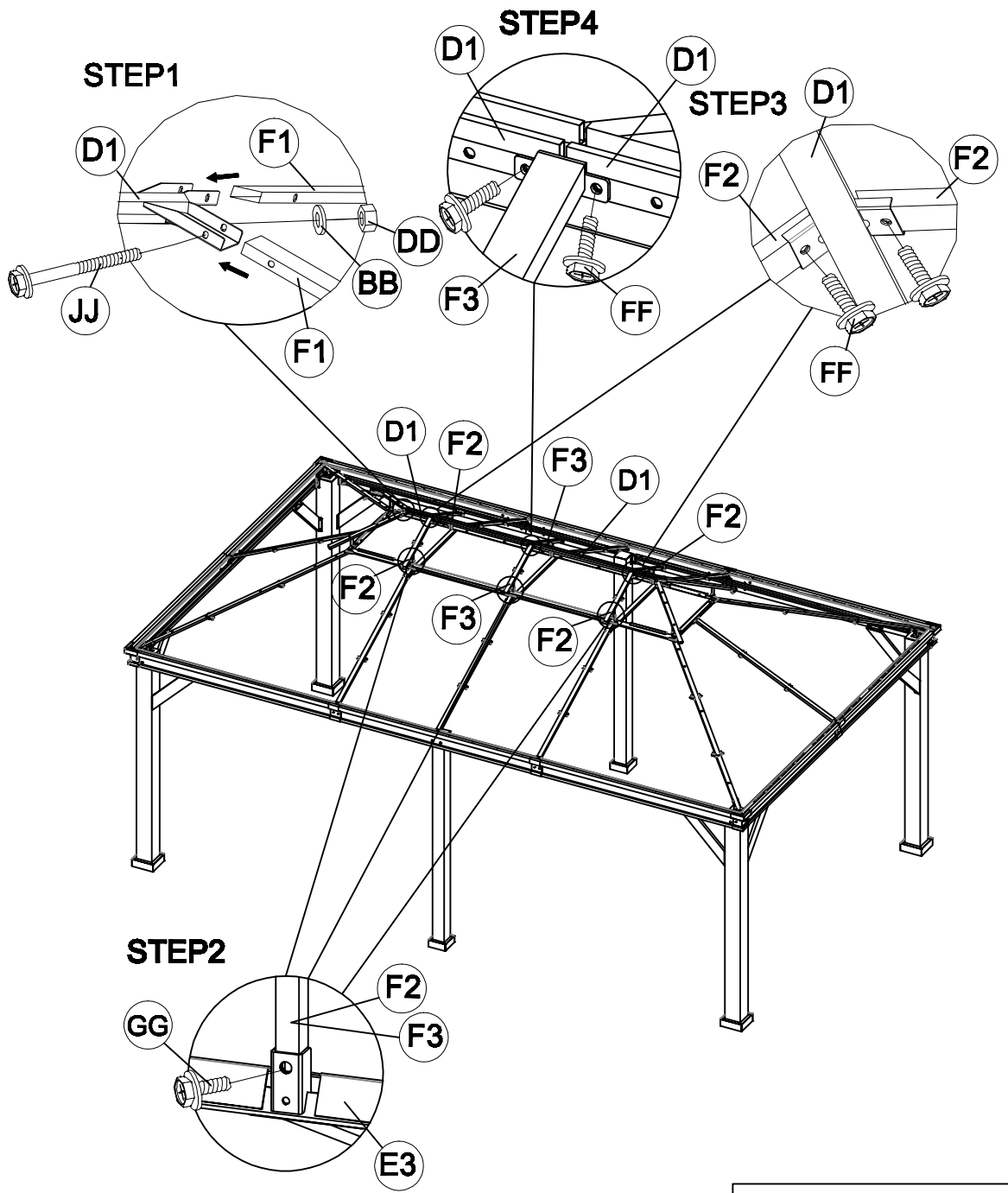
<13>



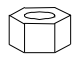

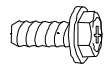
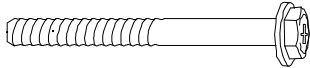
F2 4x



F3 2x



18

 DD 4x M6	 BB 4x M6	 GG 6x M6x15	 JJ 4x M6x55
-------------------------------------------------------------------------------------------------	-------------------------------------------------------------------------------------------------	----------------------------------------------------------------------------------------------------	------------------------------------------------------------------------------------------------------

<14>



EA 2x



EB 2x



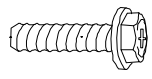
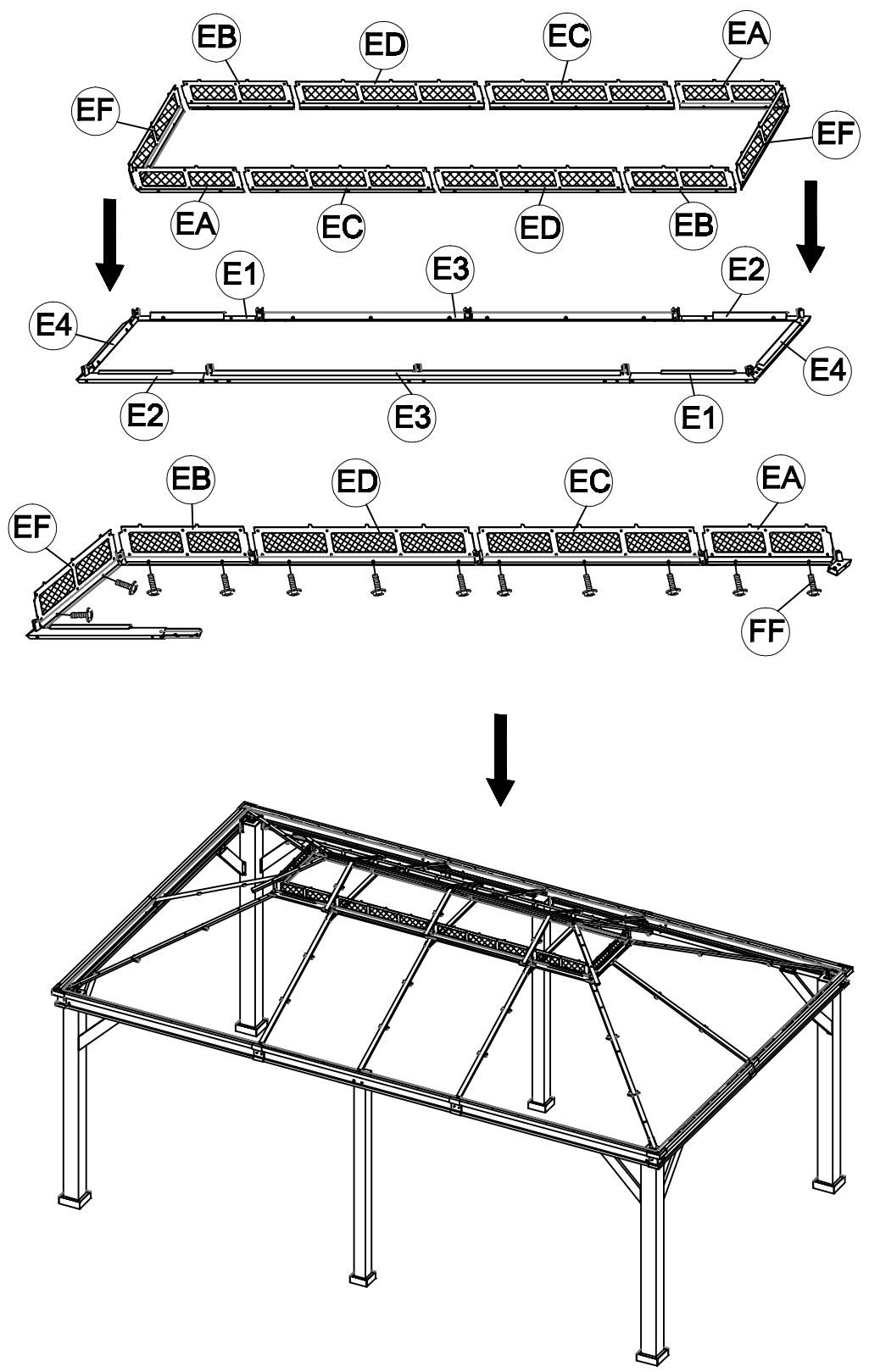
EC 2x



ED 2x



EF 2x



FF 24x

M6x20

<15>



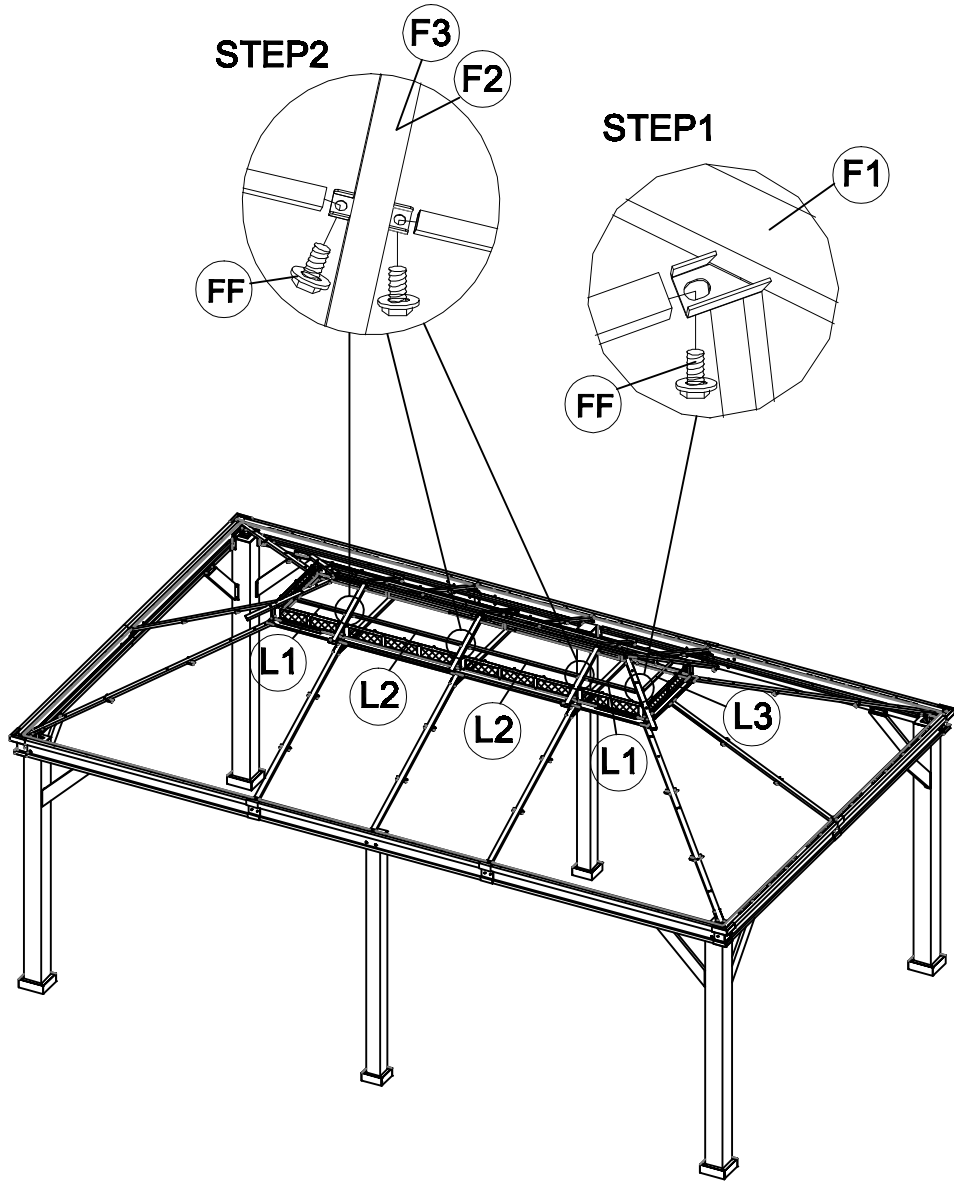
L1 4x



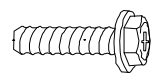
L2 4x



L3 2x



20

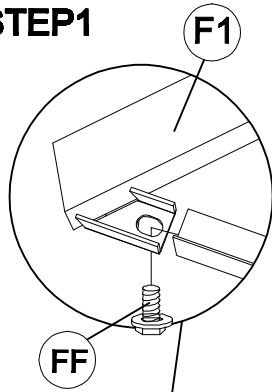


FF 20x

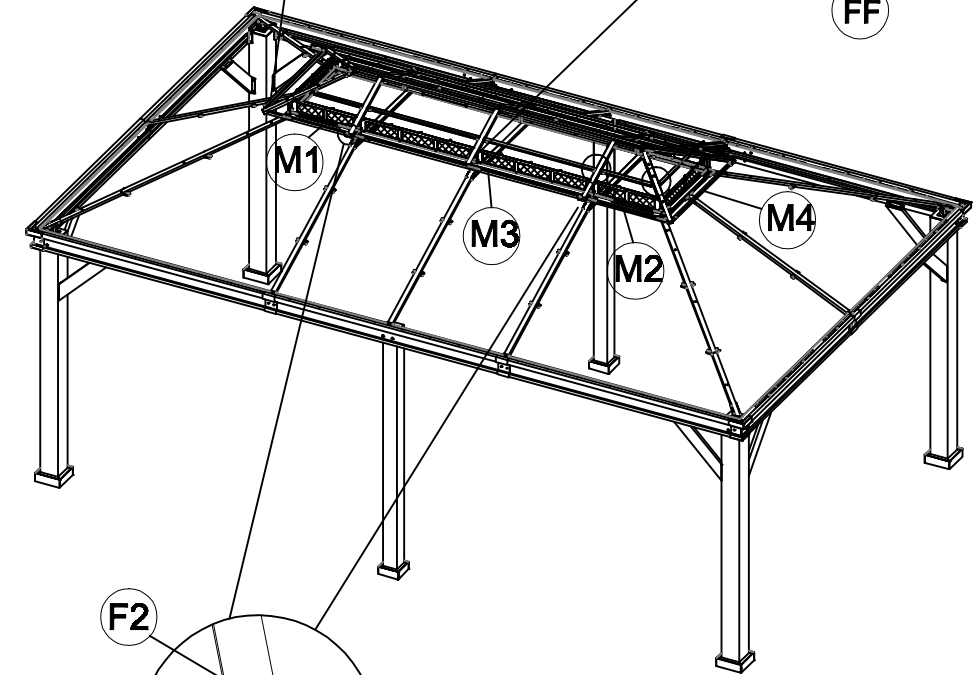
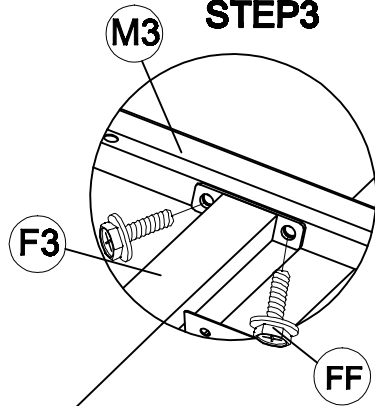
M6x20

<16>

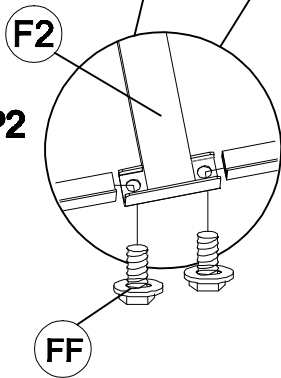
STEP1



STEP3



STEP2



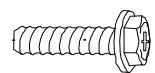
M1 2x

M2 2x

M3 2x

M4 2x

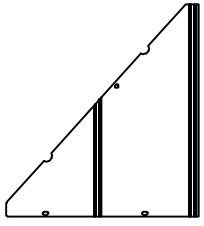
21



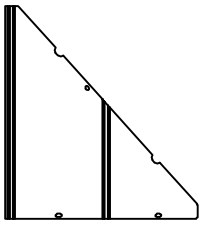
FF 20x

M6x20

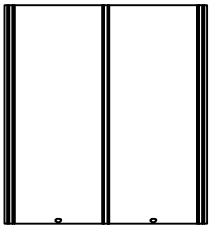
<17>



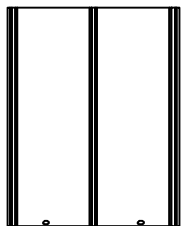
P1 4x



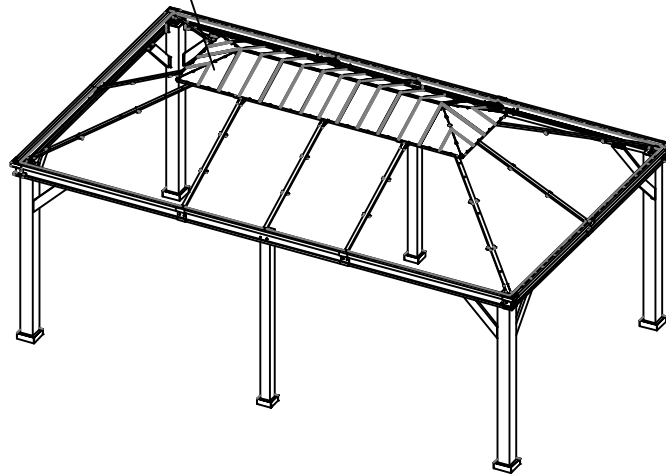
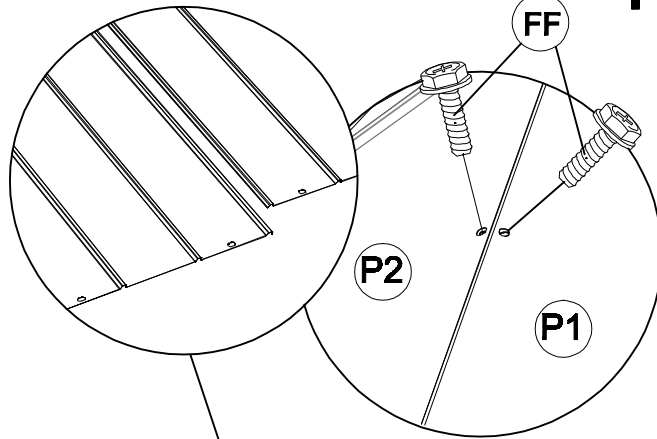
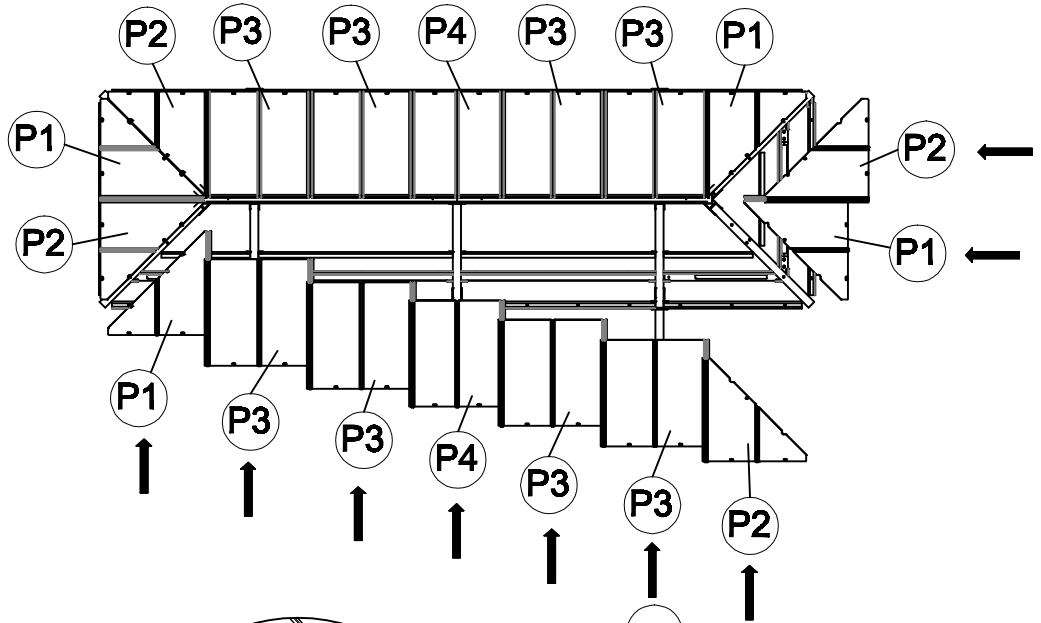
P2 4x



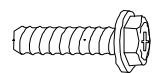
P3 8x



P4 2x



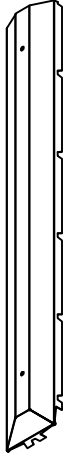
22



FF 8x

M6x20

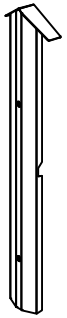
<18>



R1 1x



R2 1x



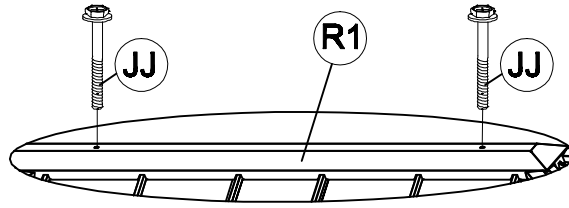
R3 4x



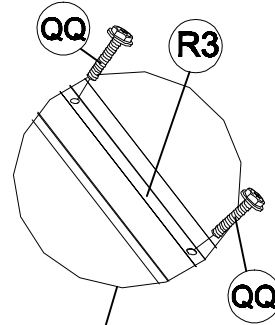
P 3x

23

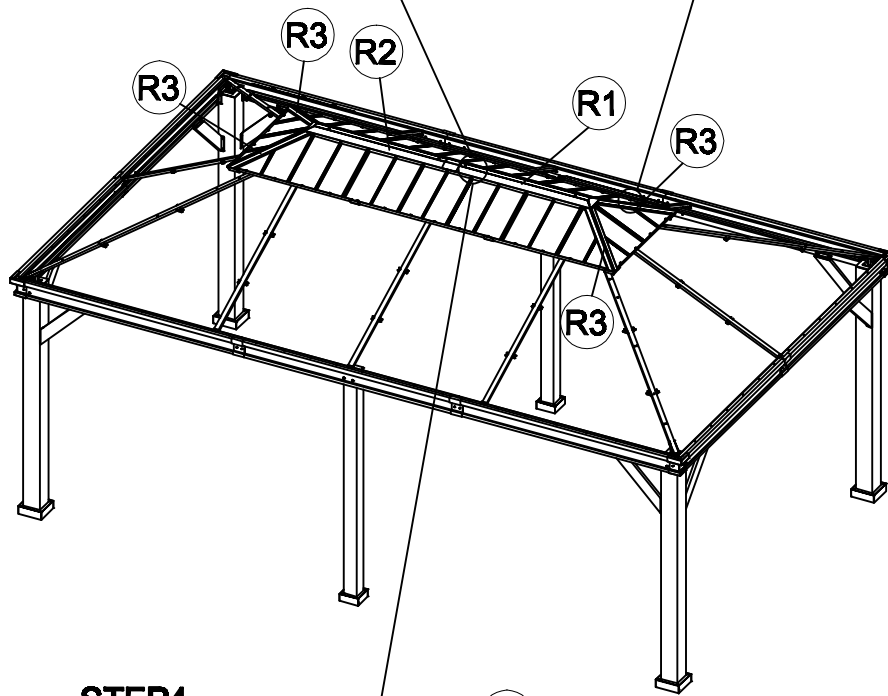
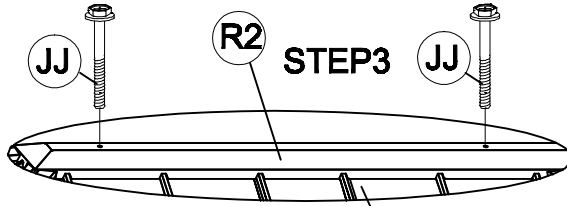
STEP2



STEP1



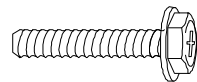
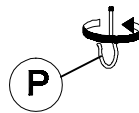
STEP3



STEP4

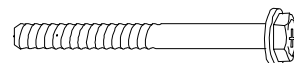


3x



QQ 8x

M6x40



JJ 4x

M6x55

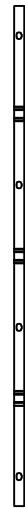
<19>



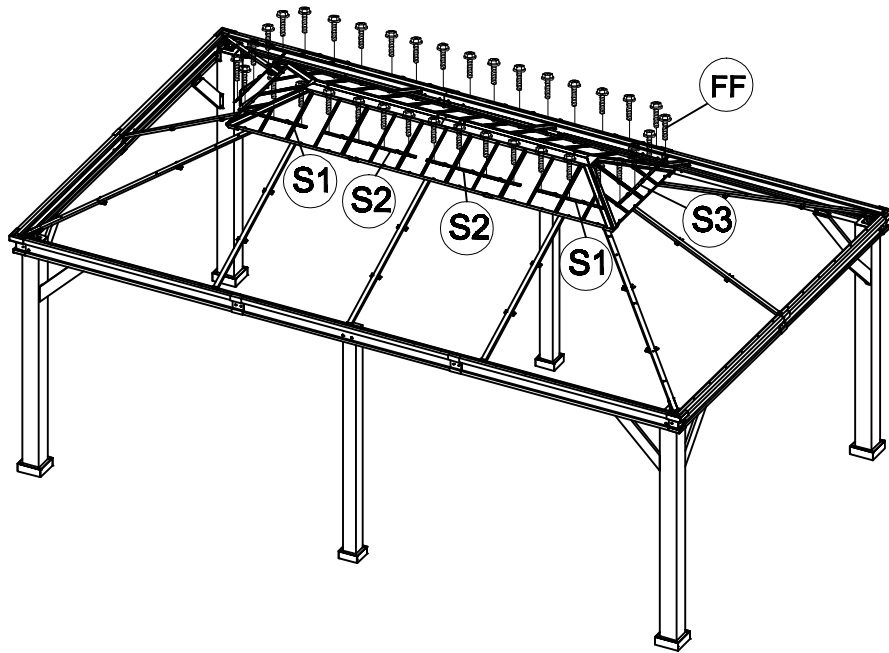
S1 4x



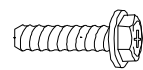
S2 4x



S3 2x



24



FF 36x

M6x20

<20>



L4 4x



L5 4x



L2 8x

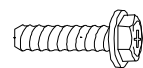
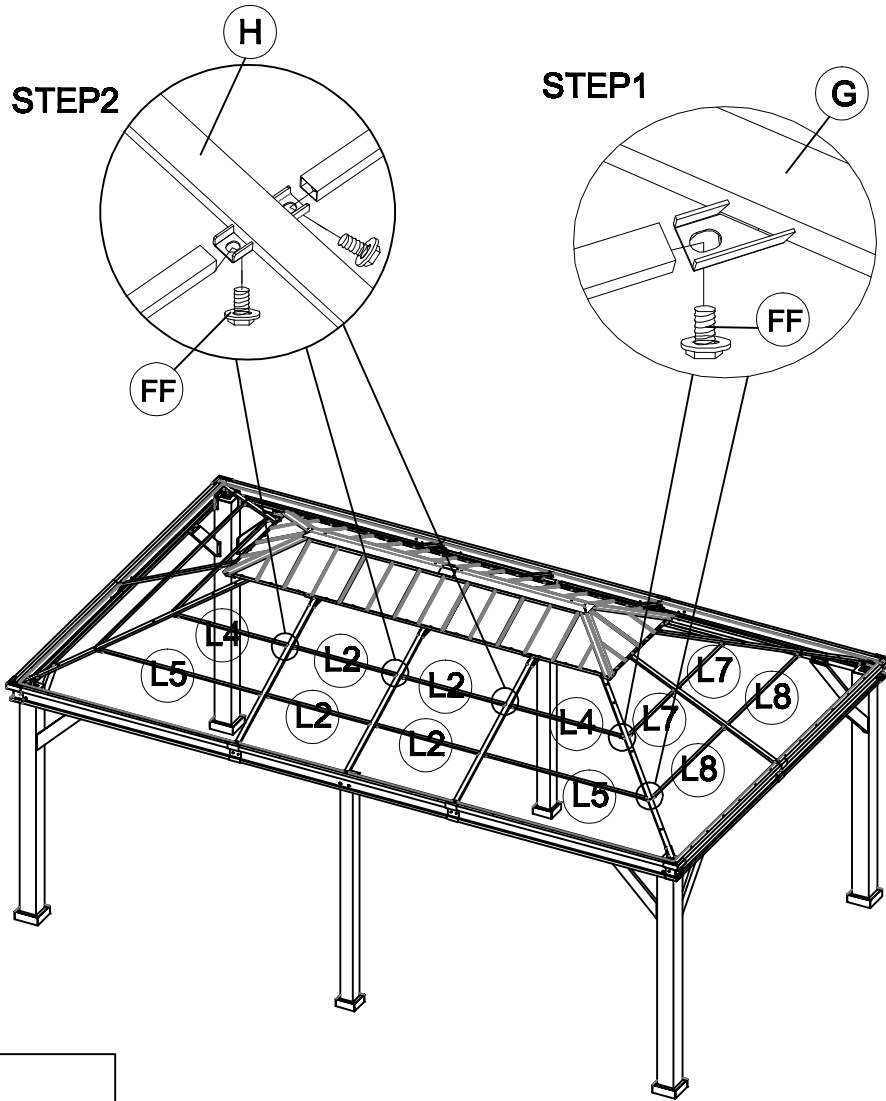


L7 4x

25



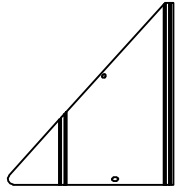
L8 4x



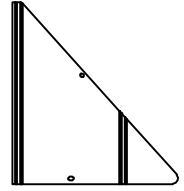
FF 48x

M6x20

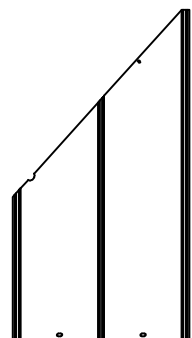
<21>



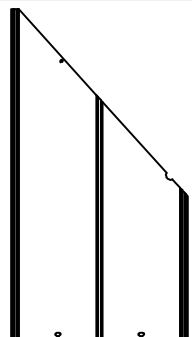
Q1 2x



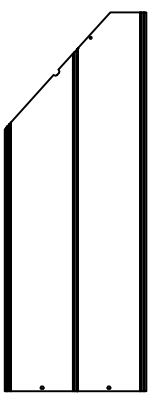
Q2 2x



Q3 2x

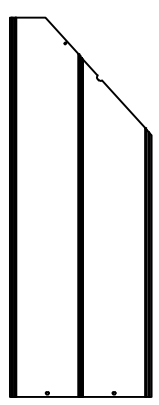
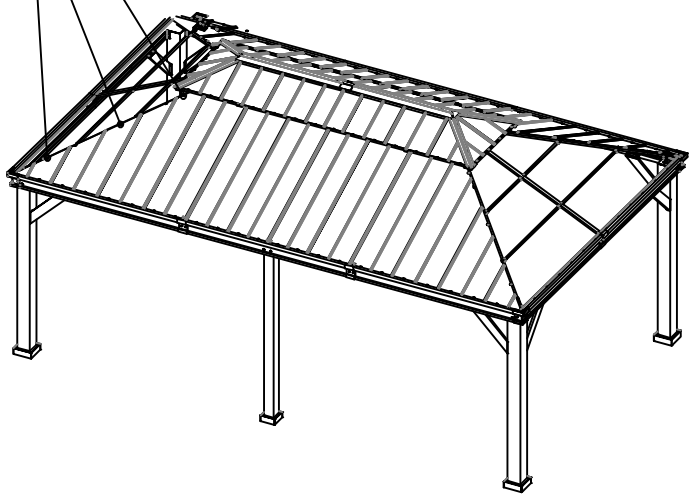
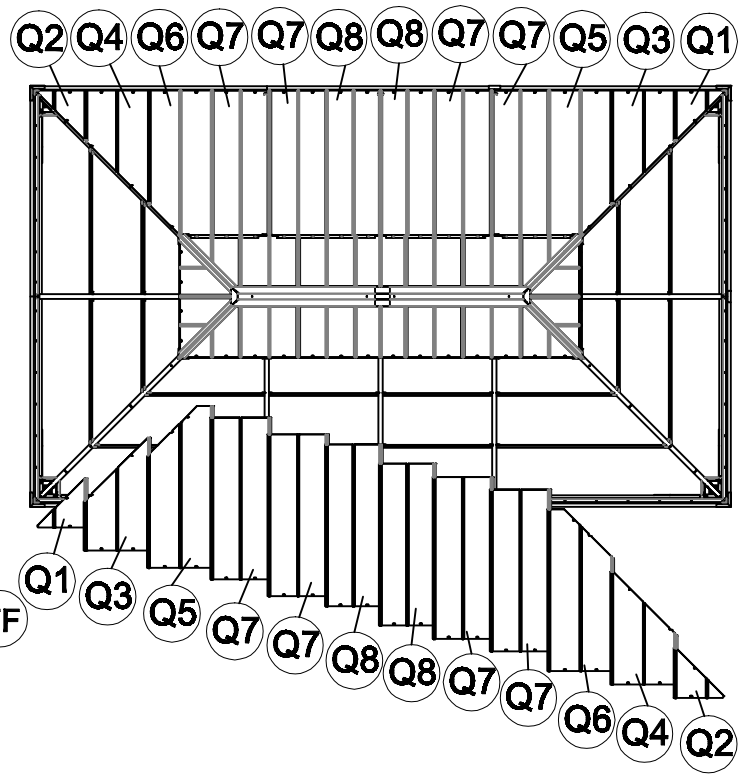
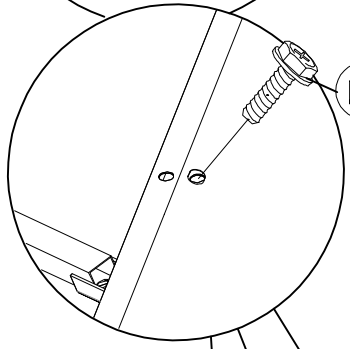
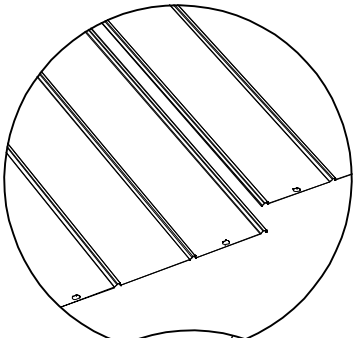


Q4 2x

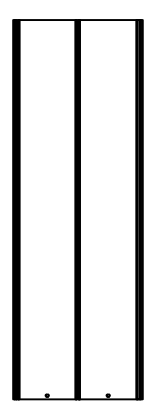


Q5 2x

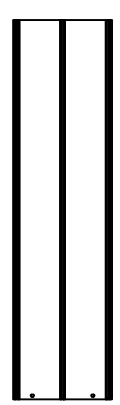
26



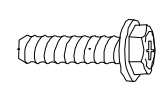
Q6 2x



Q7 8x



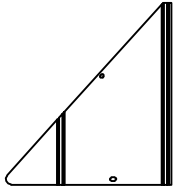
Q8 4x



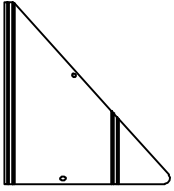
FF 12x

M6x20

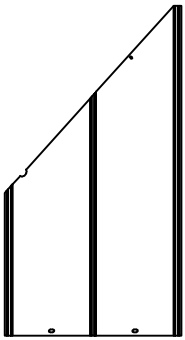
<22>



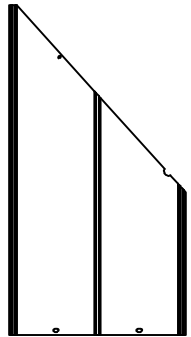
Q1 2x



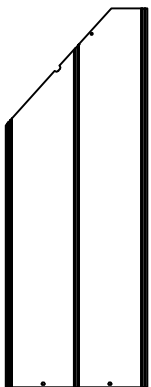
Q2 2x



Q3 2x

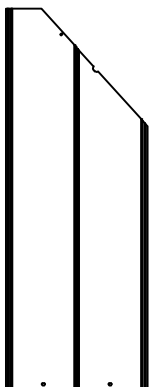
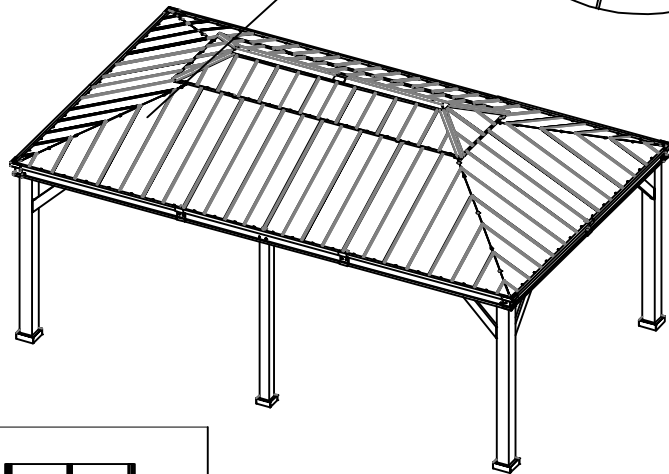
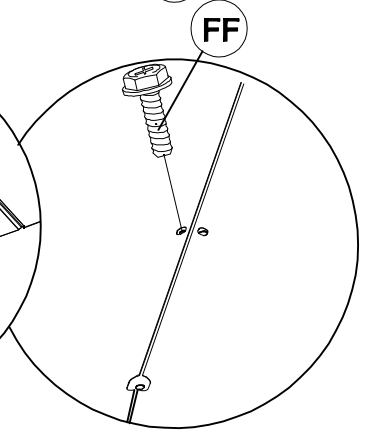
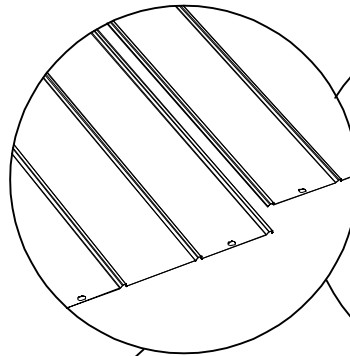
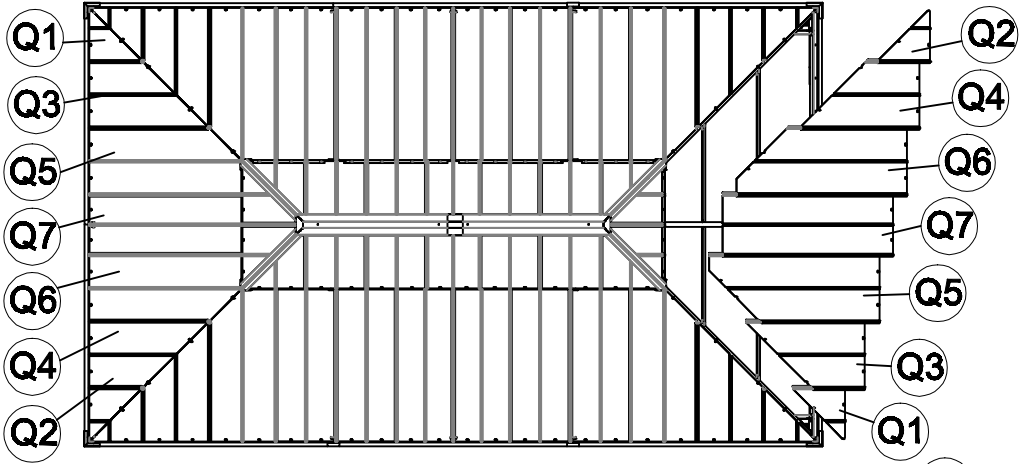


Q4 2x

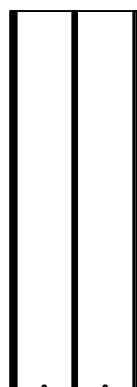


Q5 2x

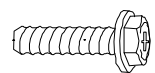
27



Q6 2x



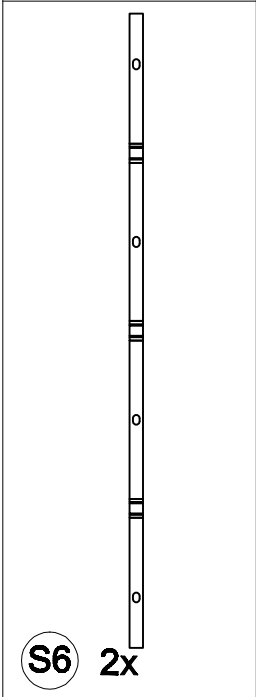
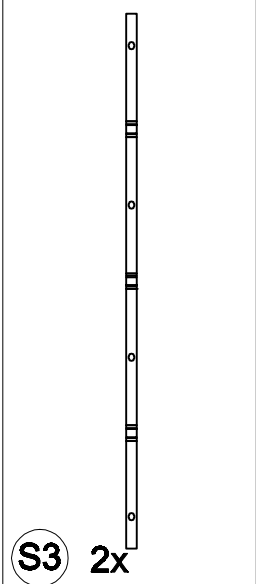
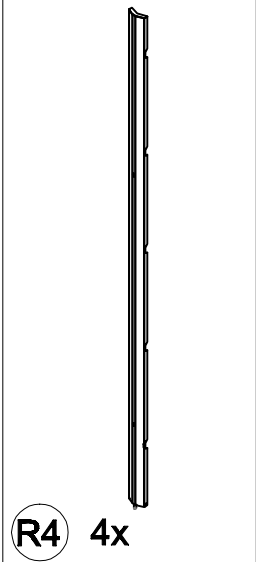
Q7 2x



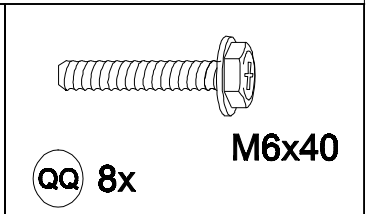
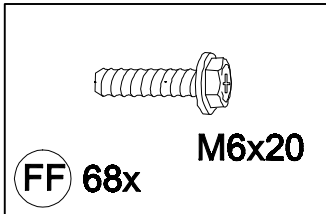
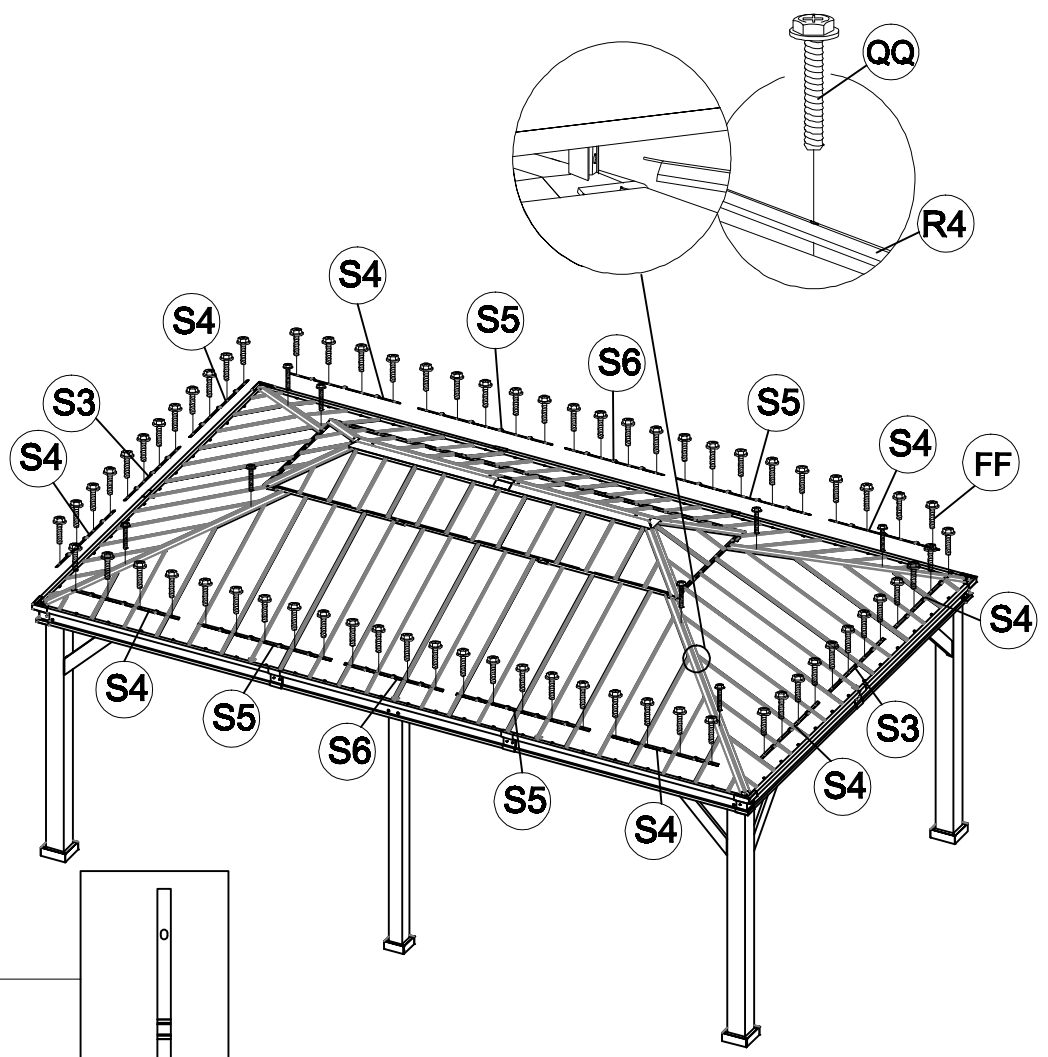
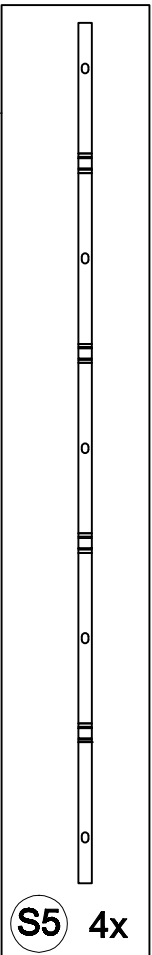
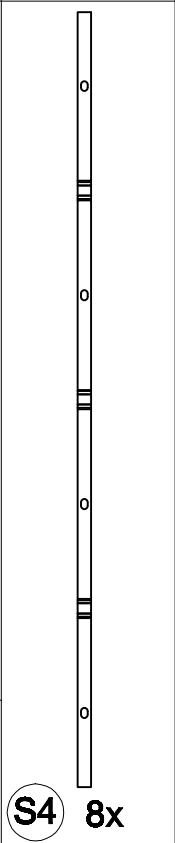
FF 12x

M6x20

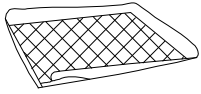
<23>



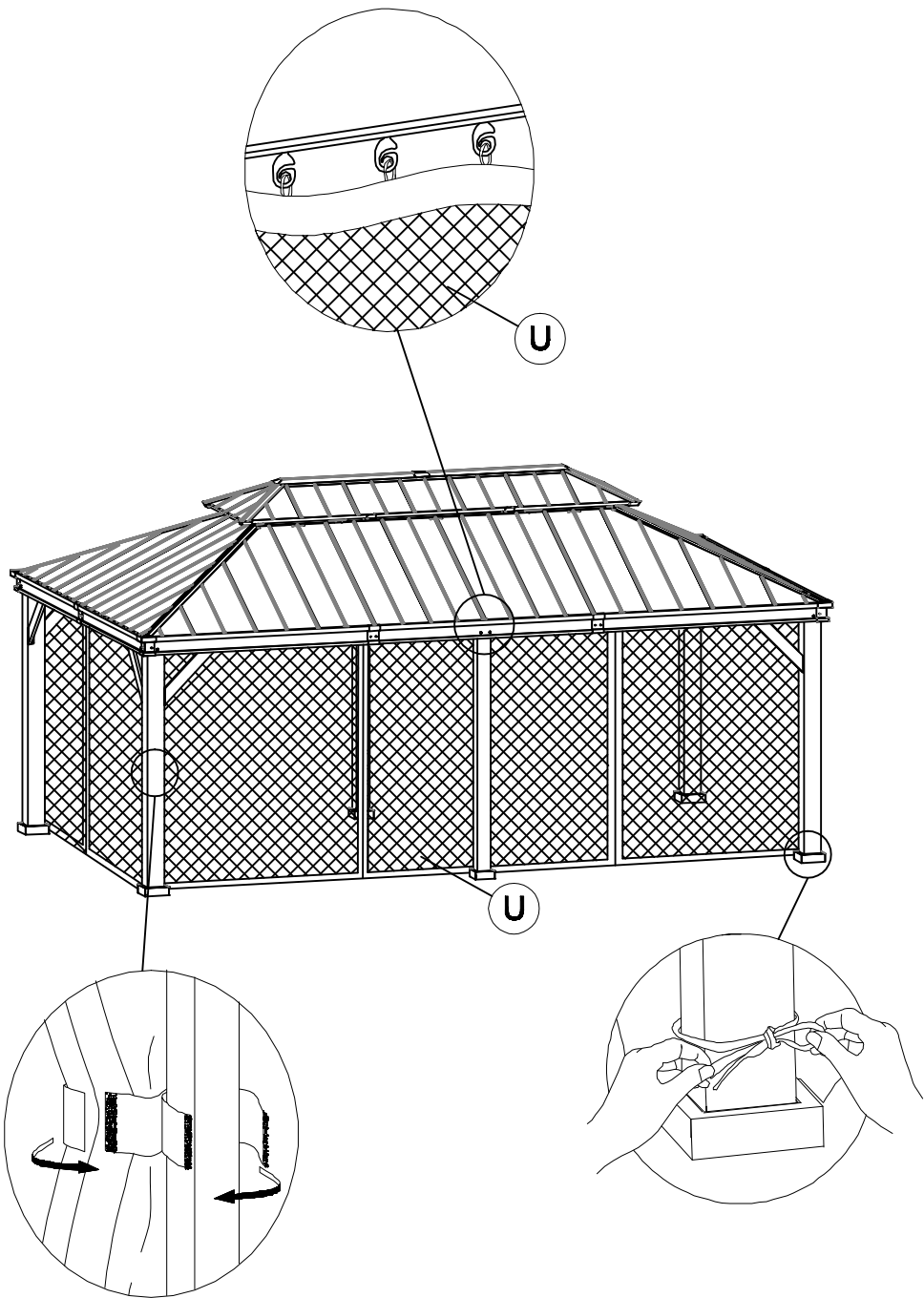
28

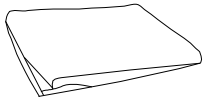


<24>



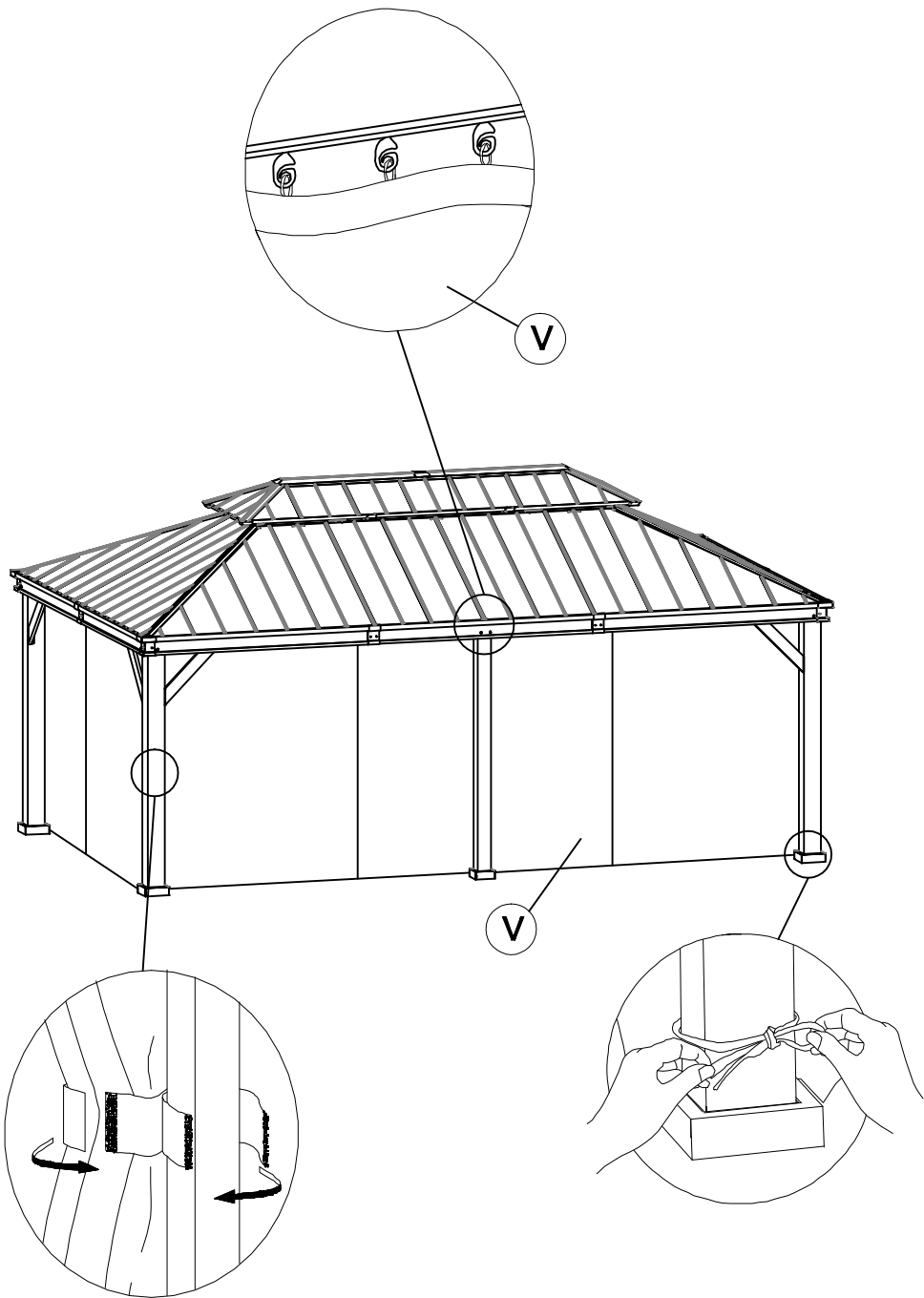
U 6x



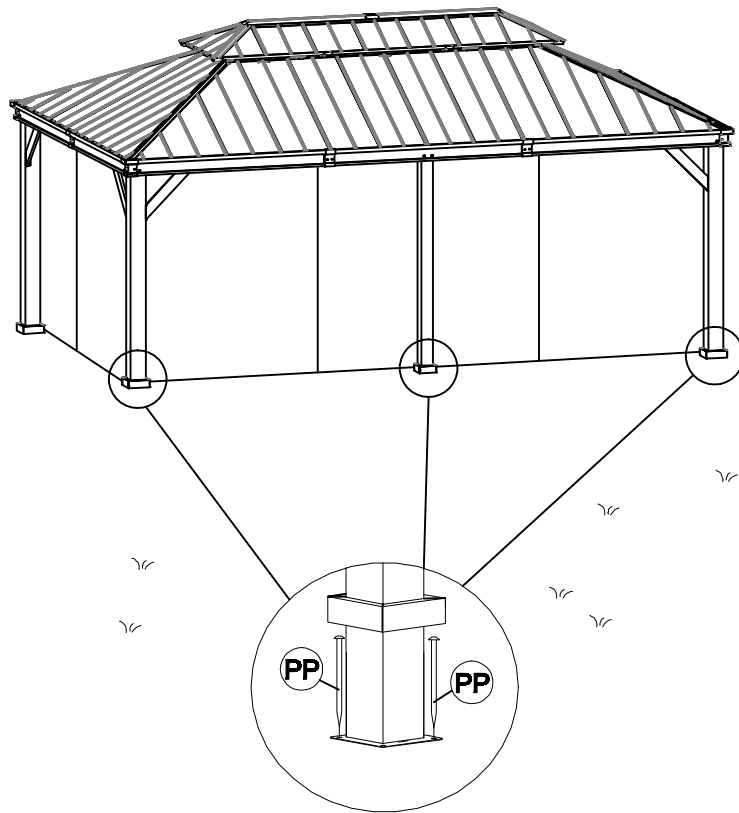


<25>

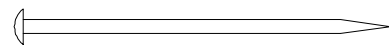
V 6x



<26>



31



D8X180
PP 12x

Carton-1/6		J3	4	S4	8
Part	Qty	M3	2	S5	4
A	4	R1	1	S6	2
A1	2	R2	1	X1	4
R4	4			X2	6
T1	2	Carton-4/6			
T2	2	Part	Qty	Carton-5/6	
T6	2	C2	4	Part	Qty
T7	2	B3	2	Q7	10
T8	2	C3	2	Q8	4
T9	2	D2	1	U	6
		E1	2	V	6
Carton-2/6		E2	2	Hardware Pack	1
Part	Qty	E4	2		
J5	6	F2	4	Carton-6/6	
J7	6	F3	2	Part	Qty
NA	2	J1	12	P1	4
NB	2	J2	4	P2	4
NC	2	P	3	P3	8
ND	2	L1	4	P4	2
NE	2	L2	12	Q1	4
Y1	4	L3	2	Q2	4
Y2	4	L4	4	Q3	4
		L5	4	Q4	4
Carton-3/6		L7	4	Q5	4
Part	Qty	L8	4	Q6	4
B2	4	M1	2	EA	2
D1	2	M2	2	EB	2
E3	2	M4	2	EC	2
E5	3	R3	4	ED	2
F1	4	S1	4	EF	2
G	4	S2	4		
H	8	S3	4		