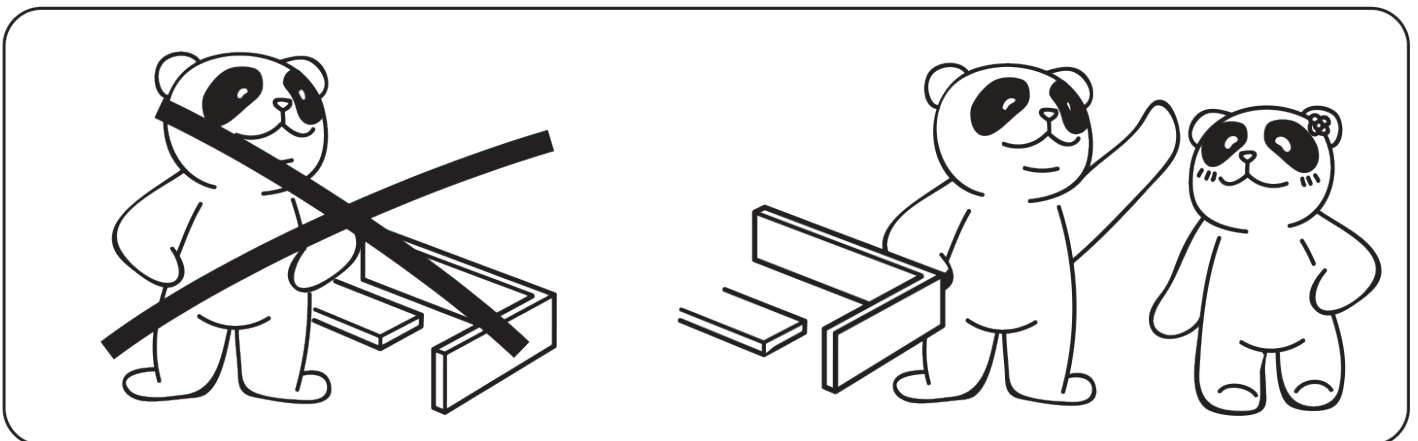
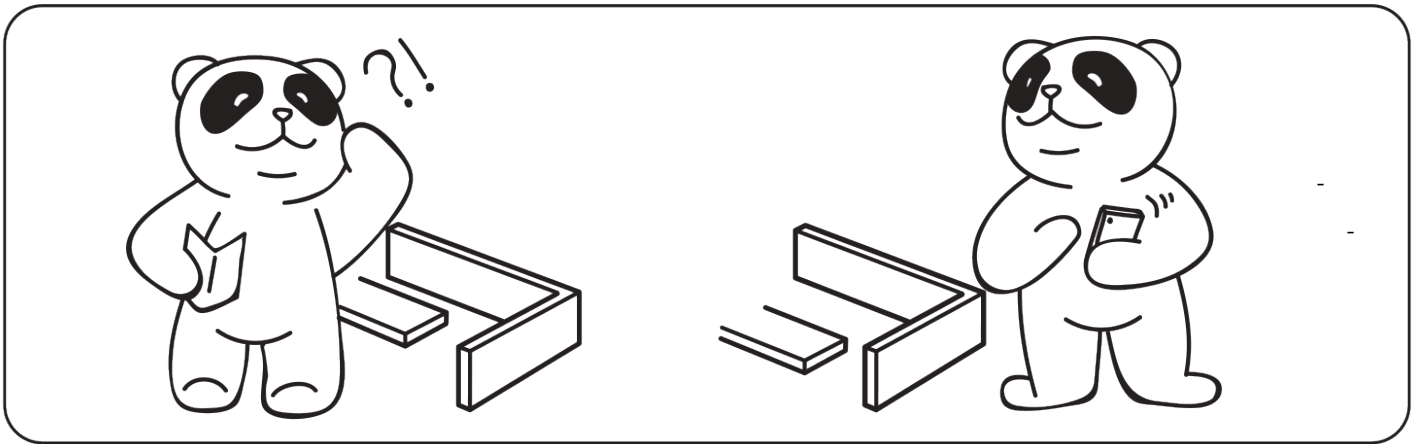
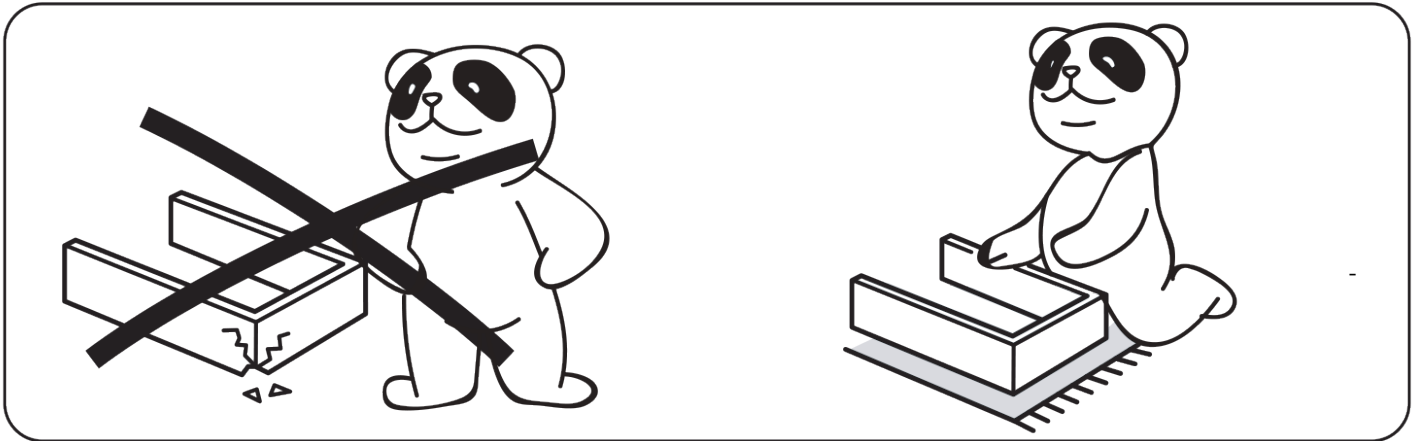
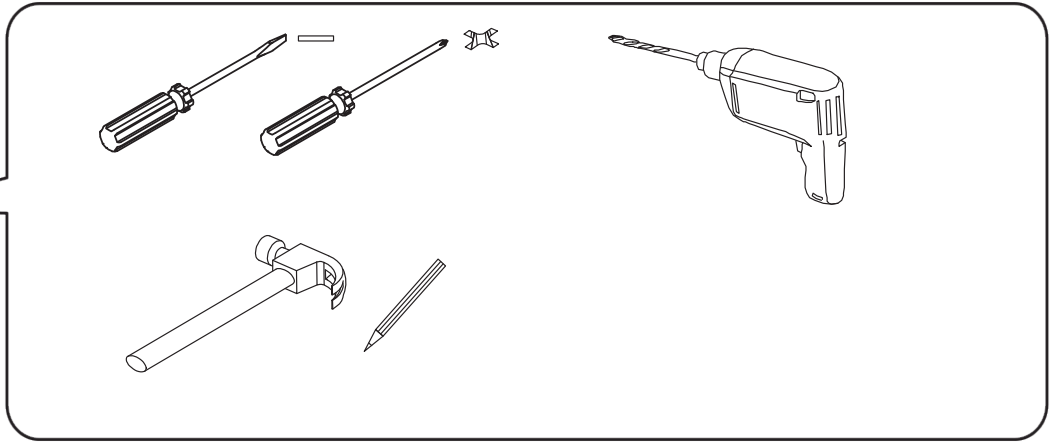
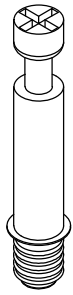


Chest of drawers



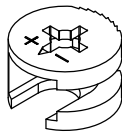




A

x61(+2)

Ø6x35mm



B

x61(+2)

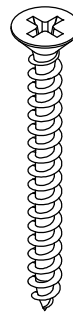
Ø15x10mm



C

x23(+2)

Ø6x30mm



D

x41(+2)

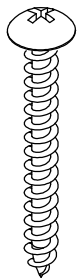
Ø4x35mm



E

x86(+3)

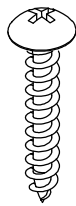
Ø3.5x12mm



F

x3

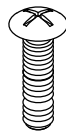
Ø4x30mm



G

x6

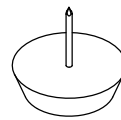
Ø4x20mm



H

x14

Ø4x16mm



I

x8

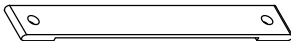
Ø15mm



J

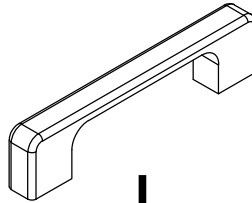
x2

Ø6x30mm



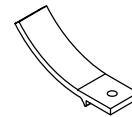
K

x2



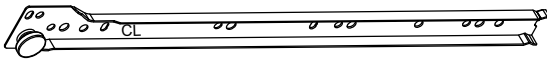
L

x7



M

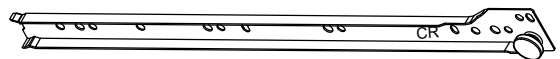
x2



CL

x7

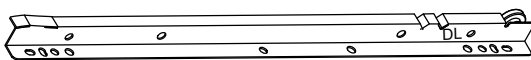
L350mm



CR

x7

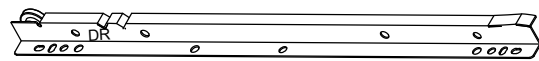
L350mm



DL

x7

L350mm

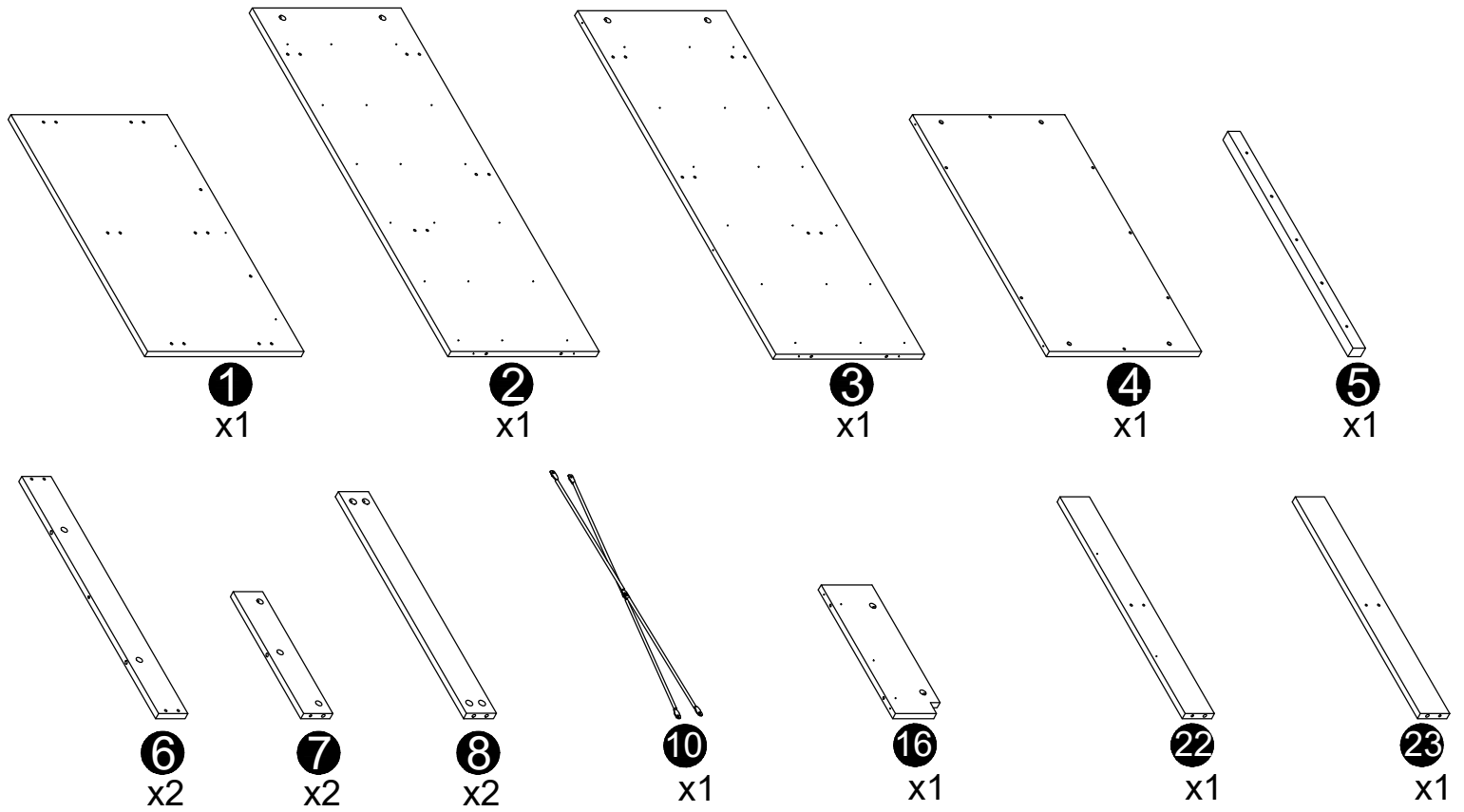


DR

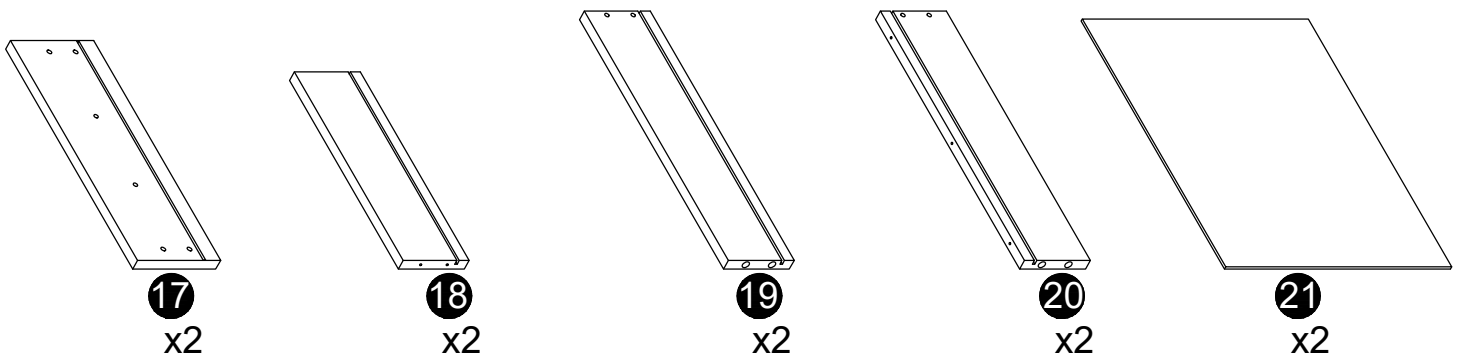
x7

L350mm

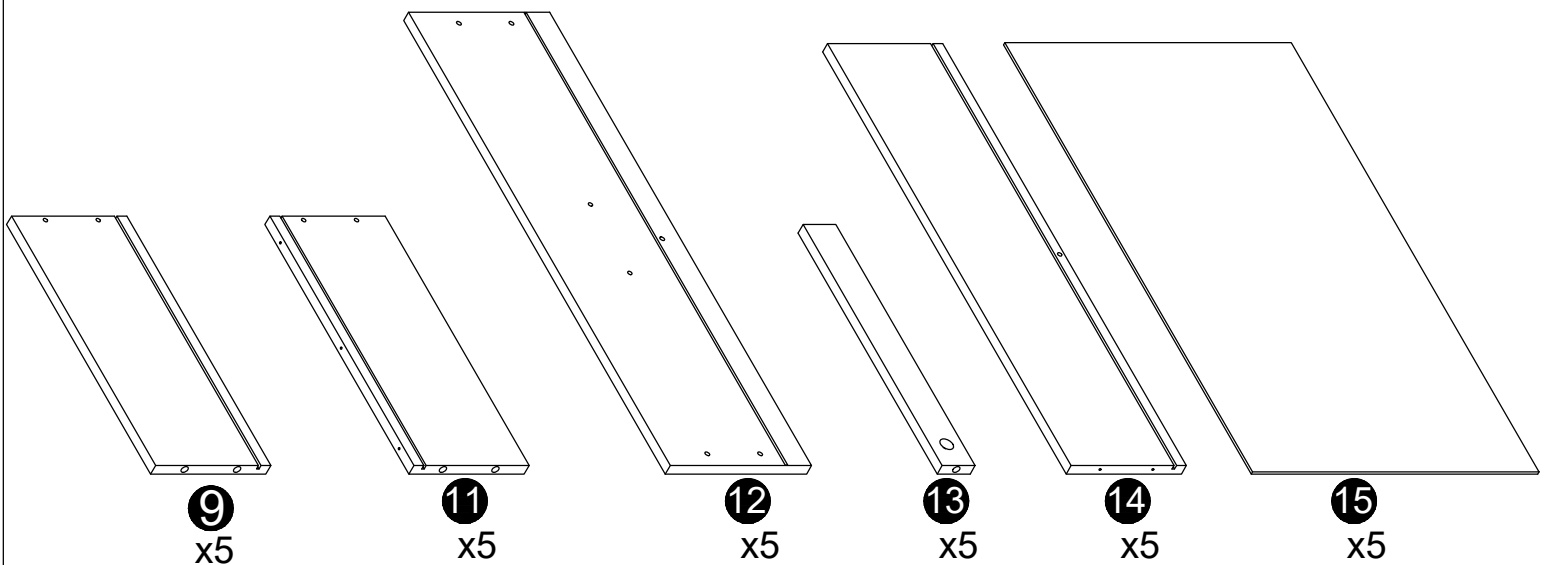
Mounting frame



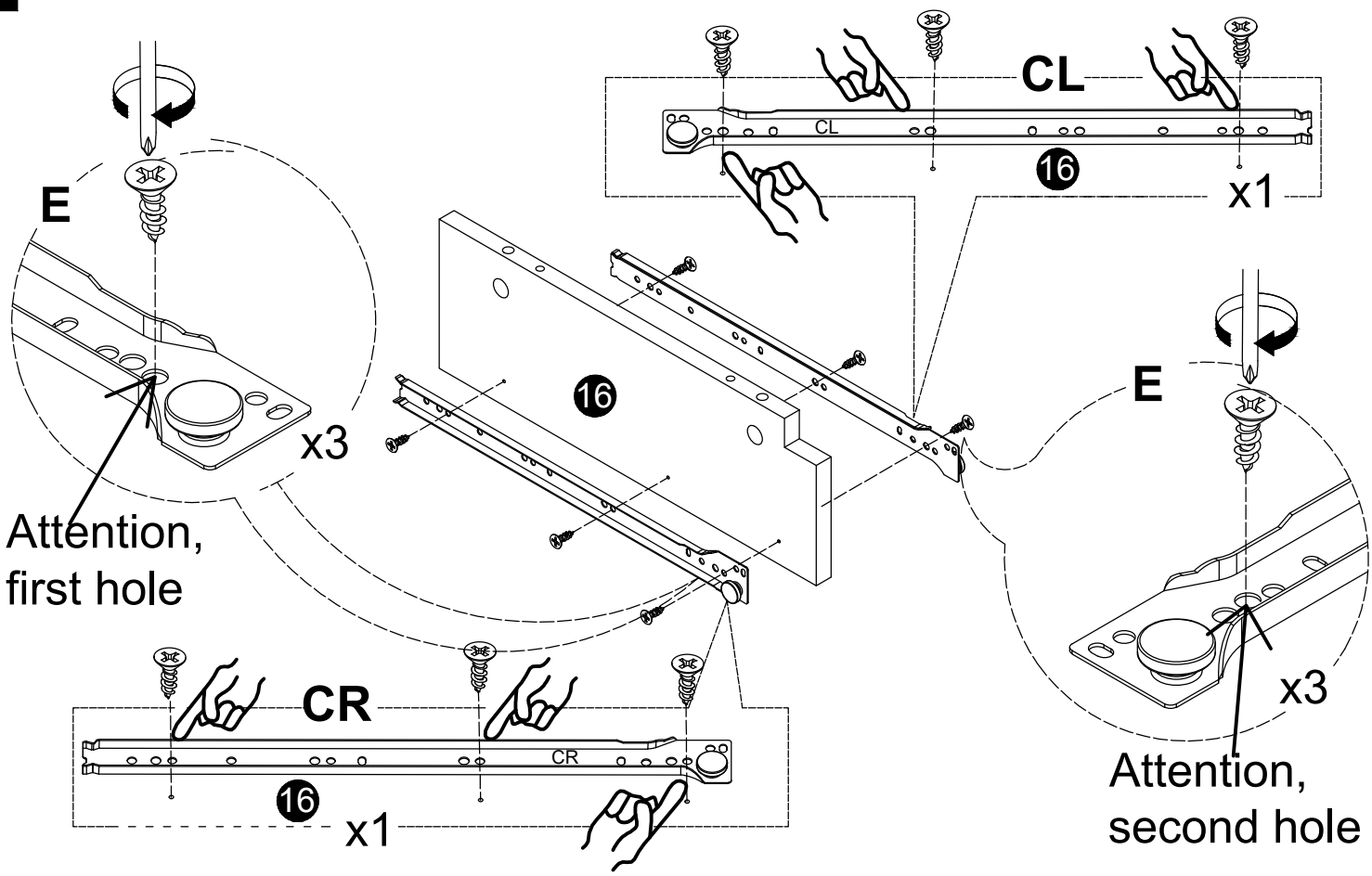
Top drawer



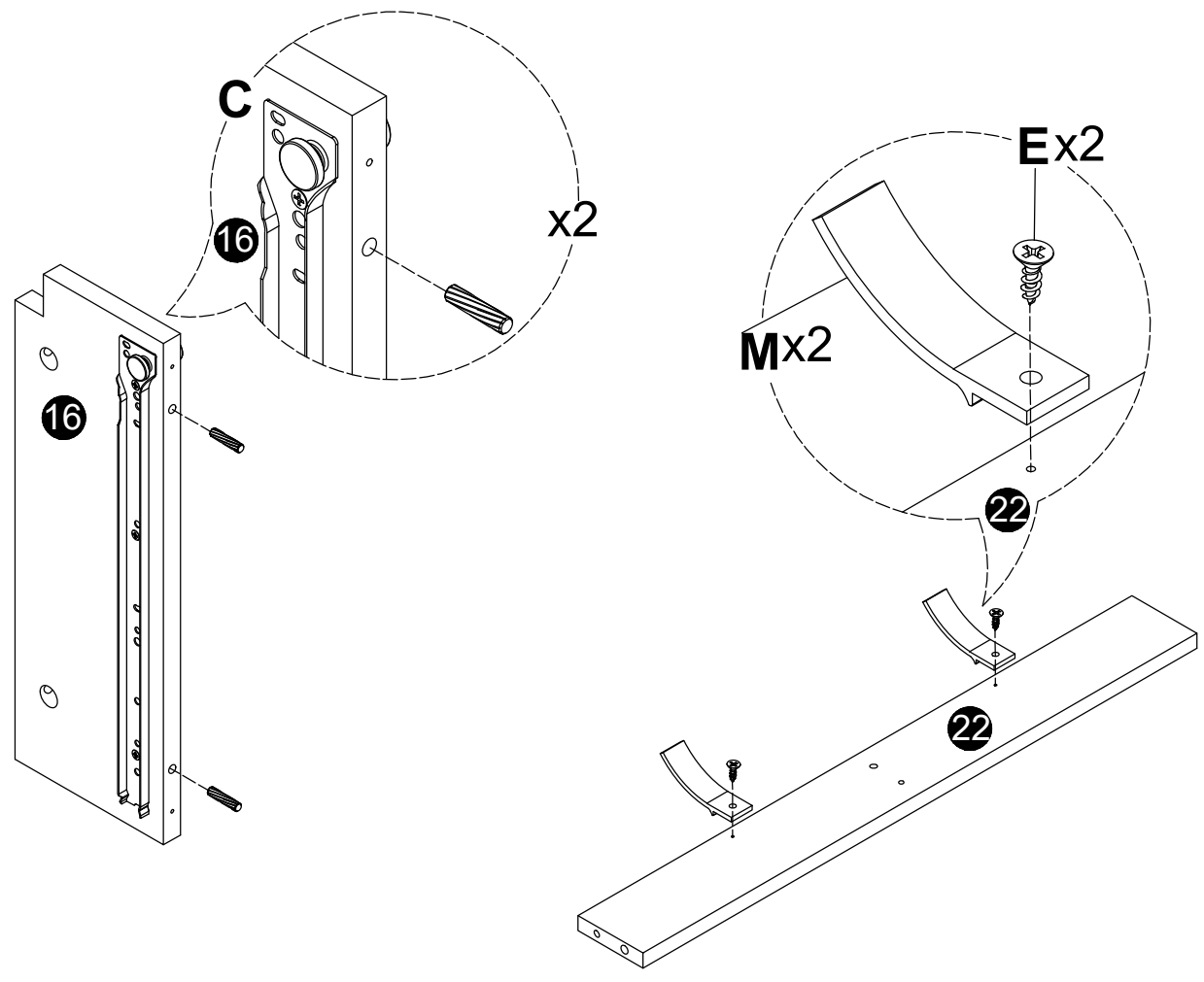
Bottom drawer



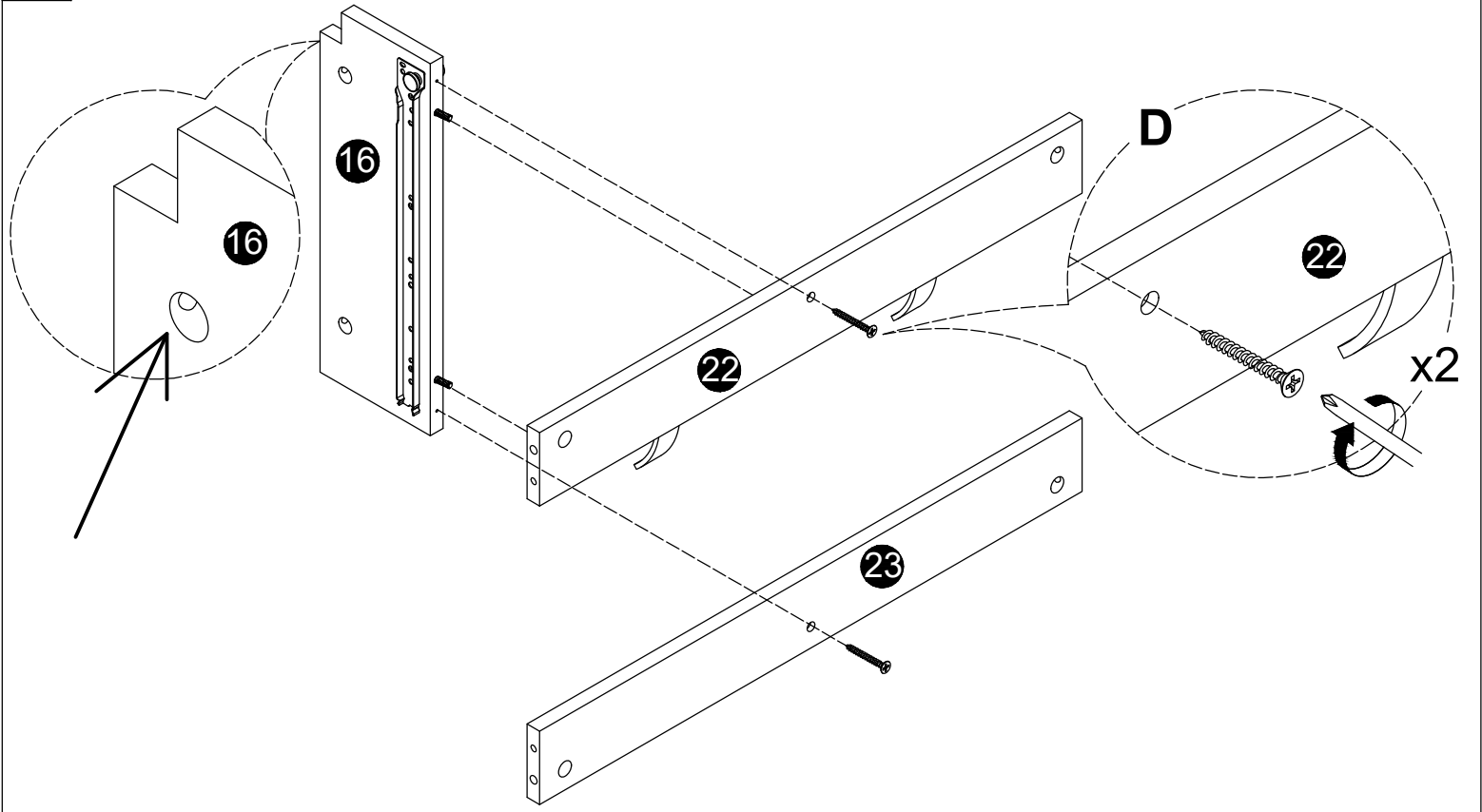
1



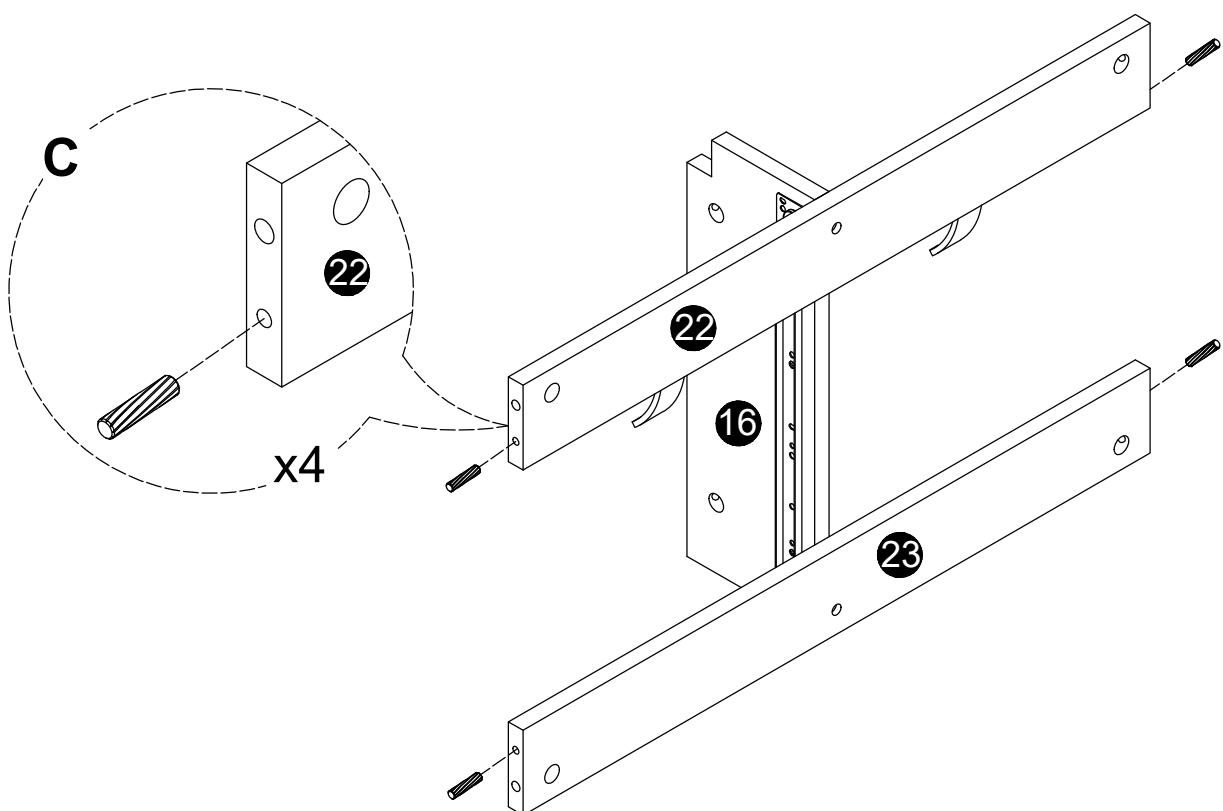
2



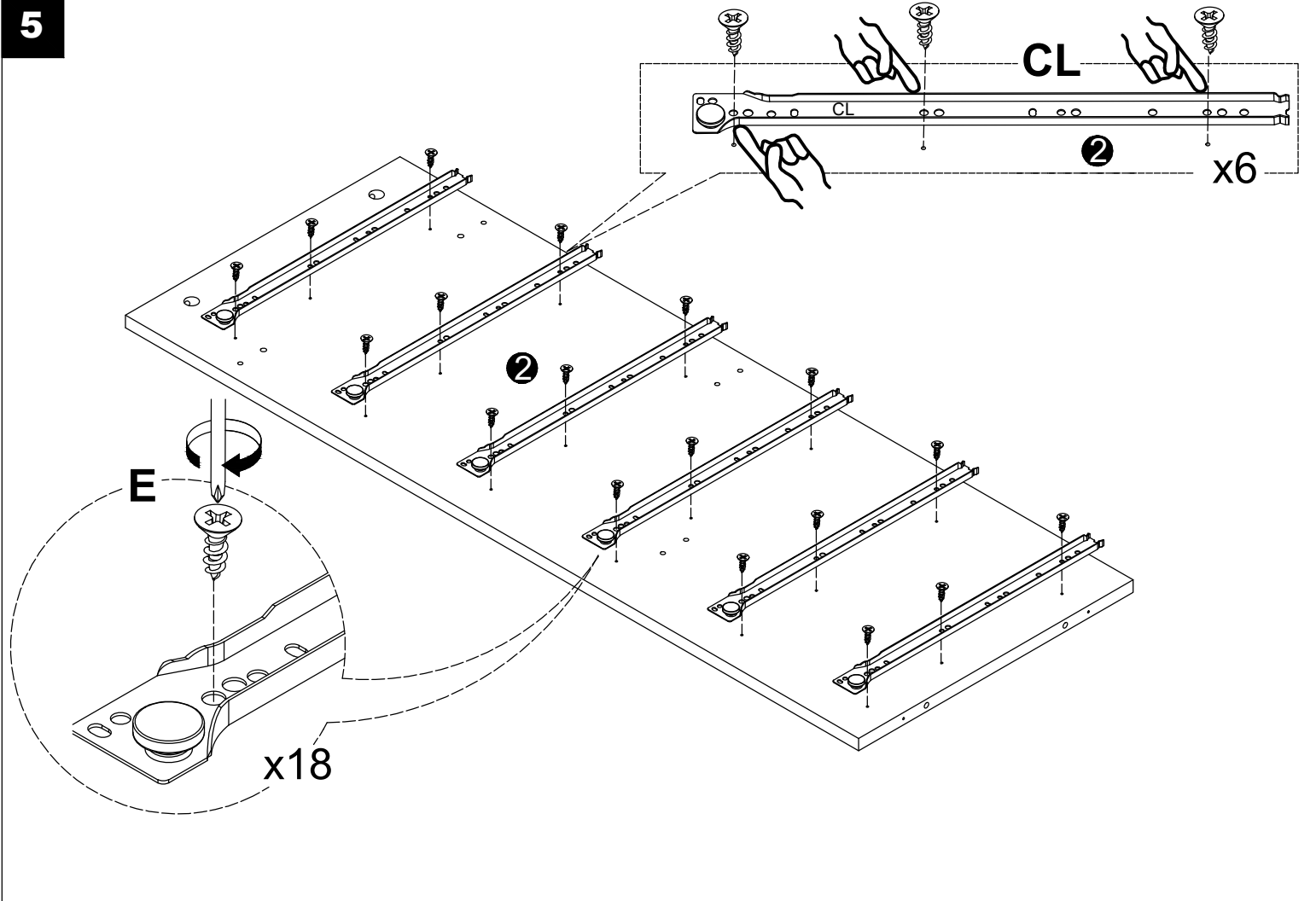
3



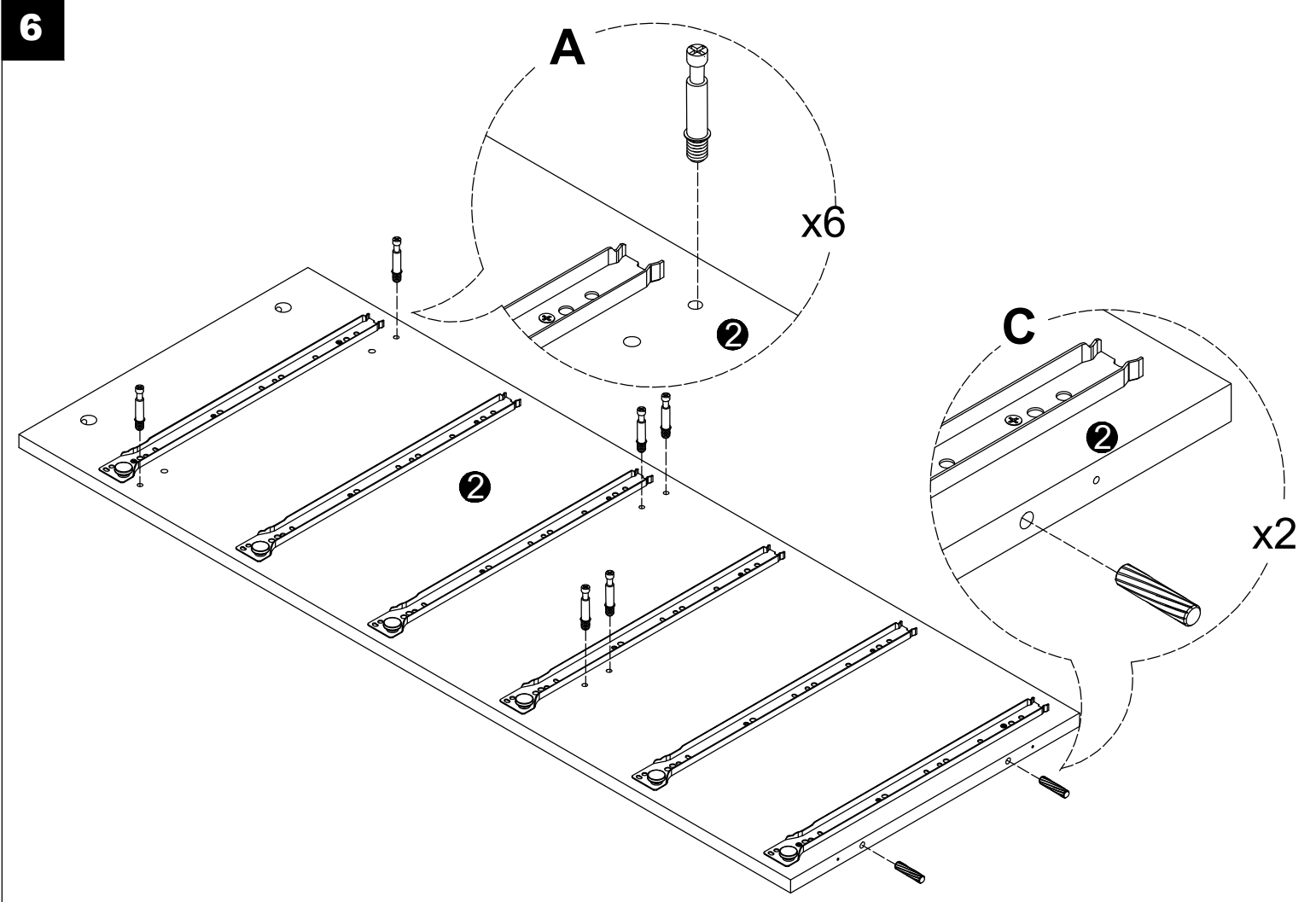
4



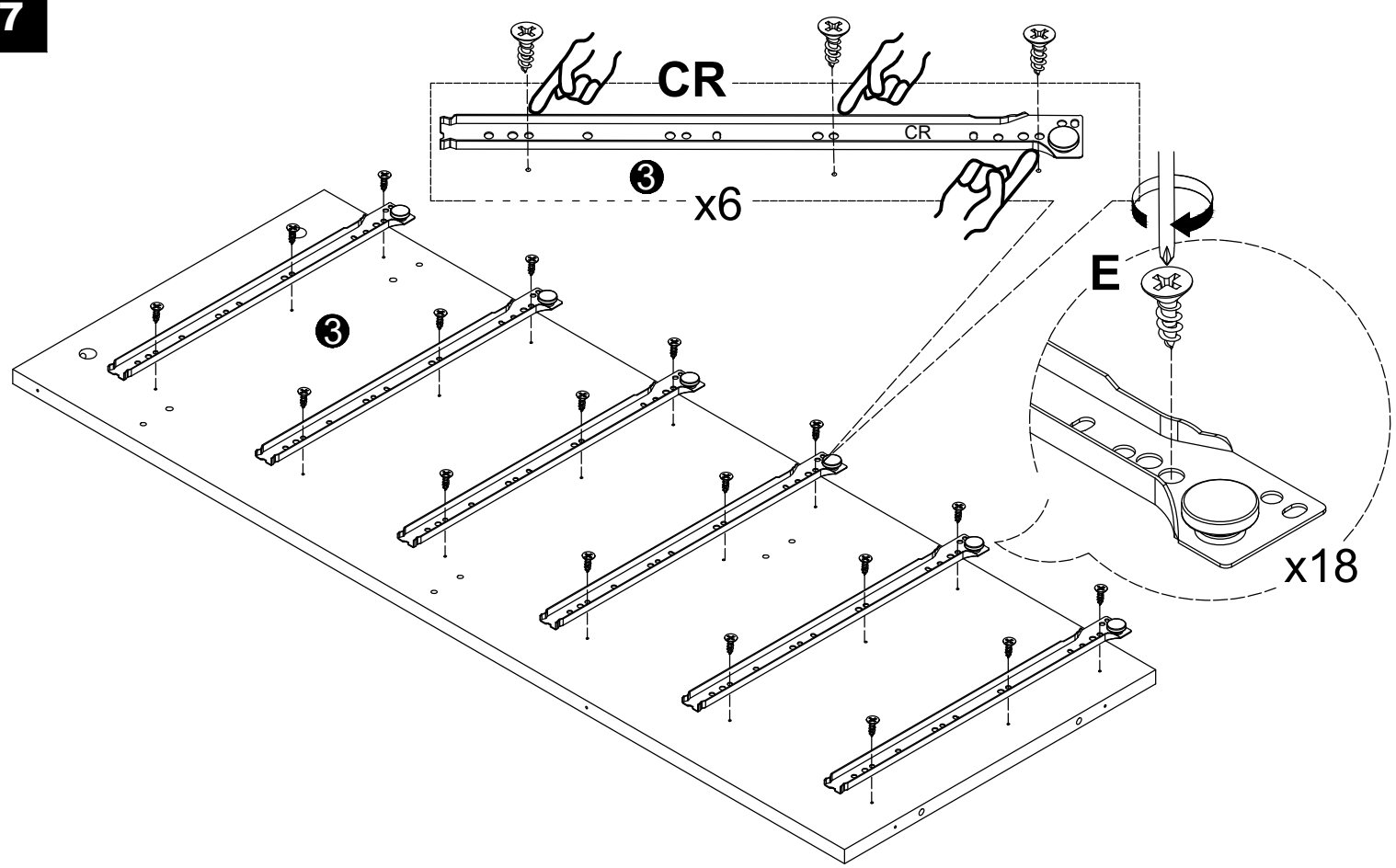
5



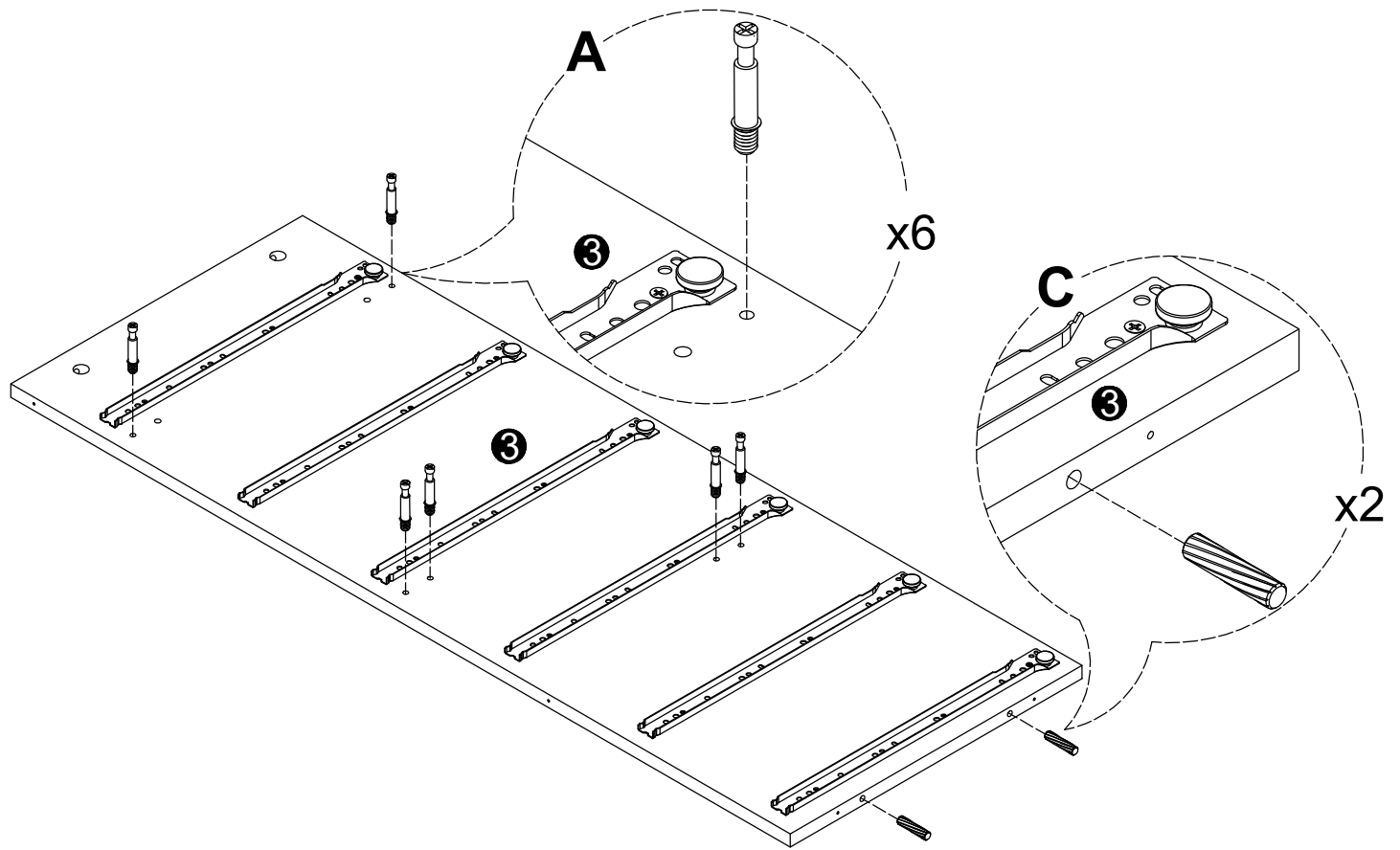
6



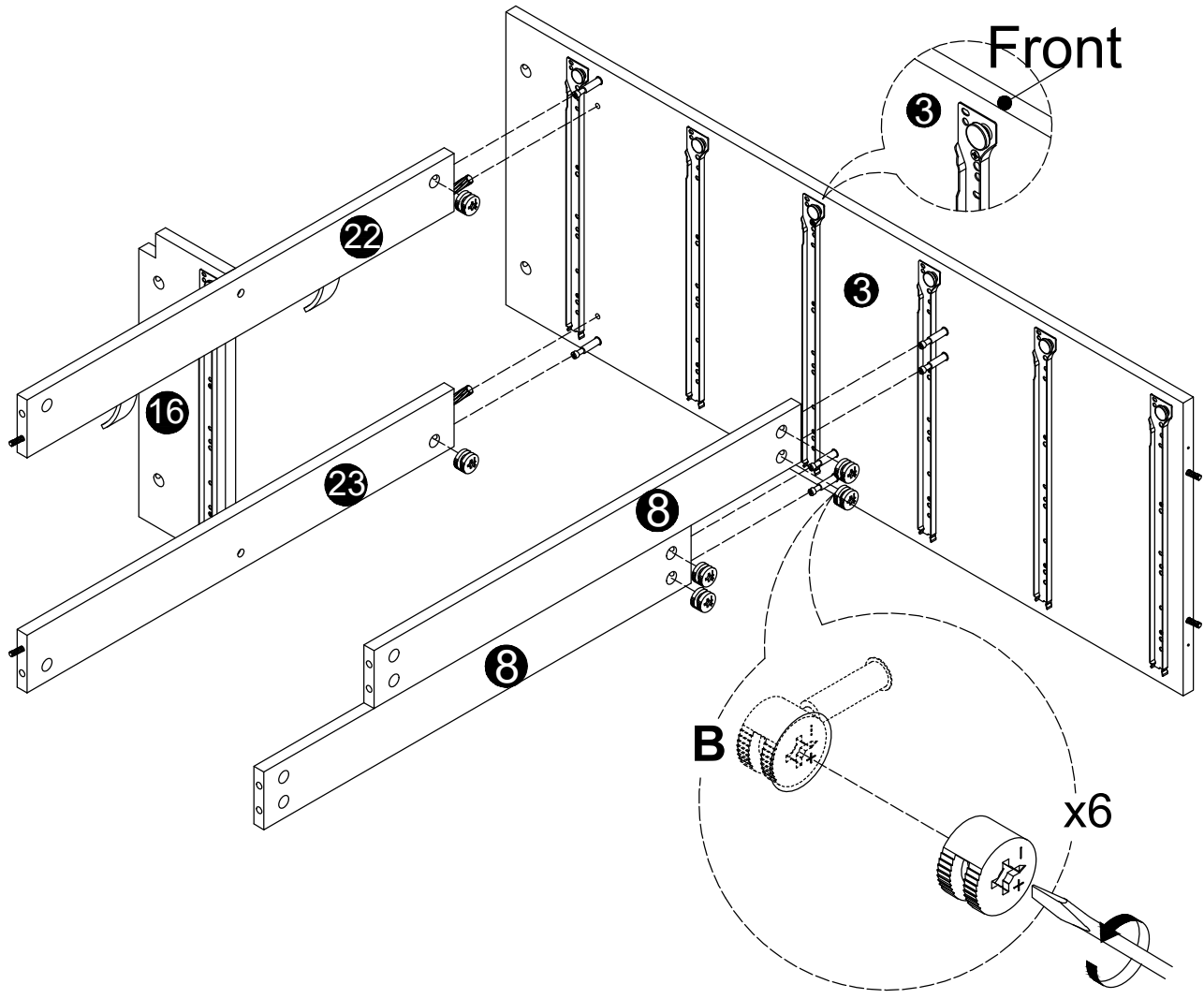
7



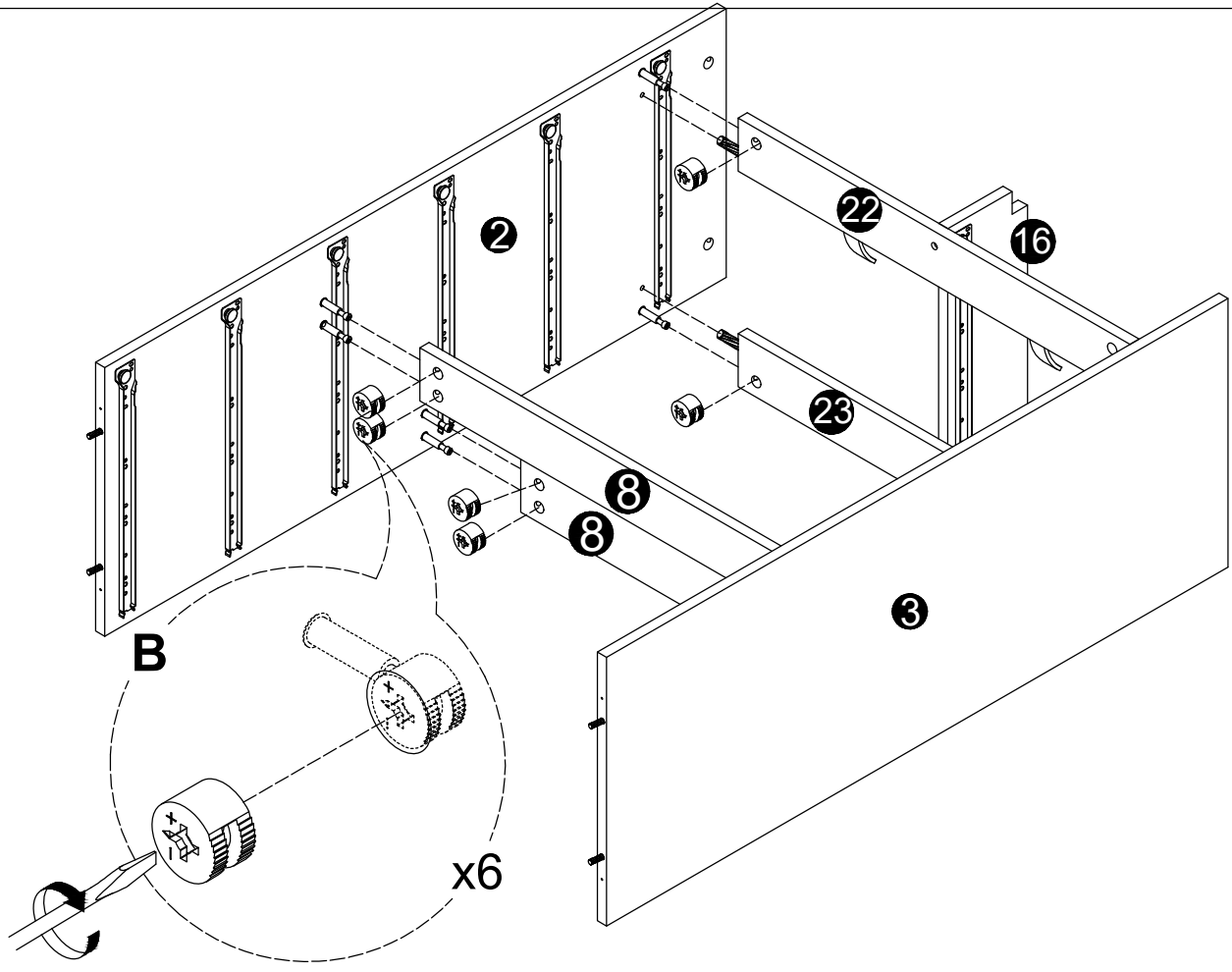
8



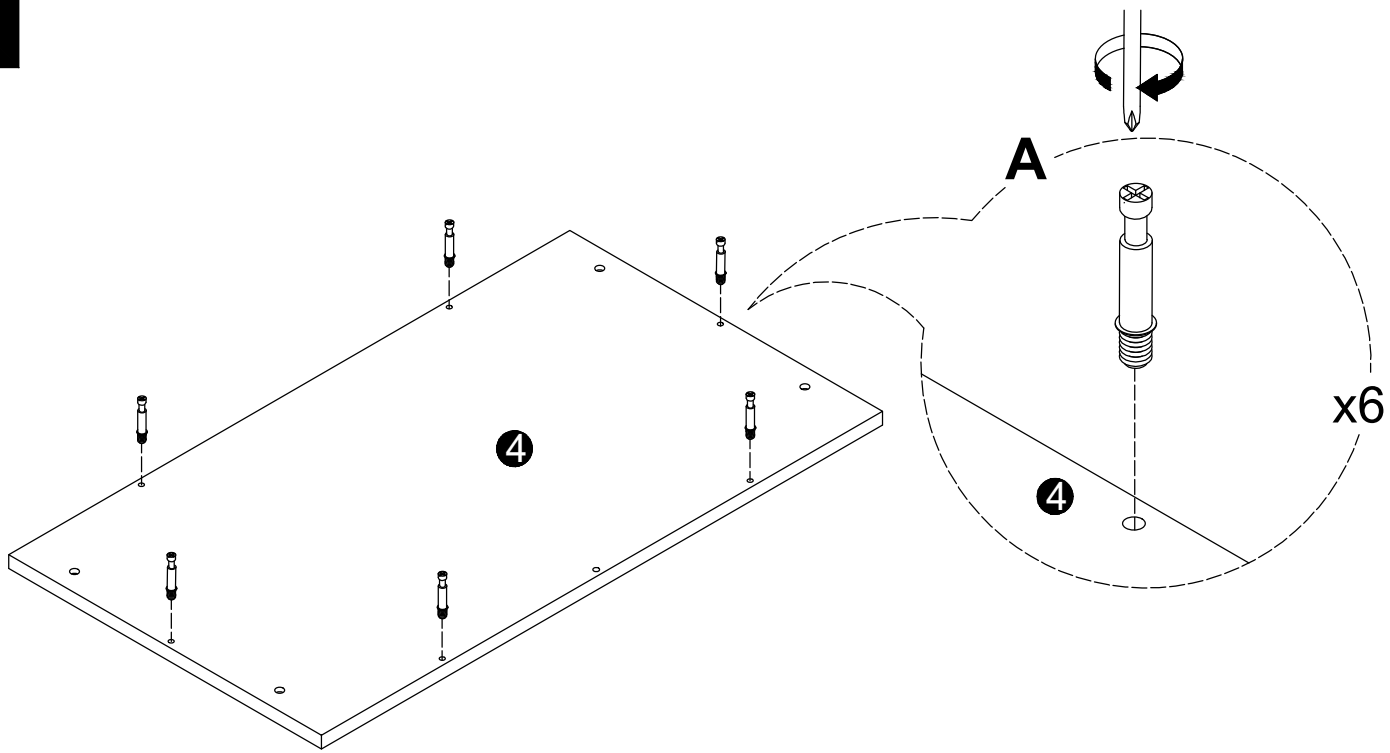
9



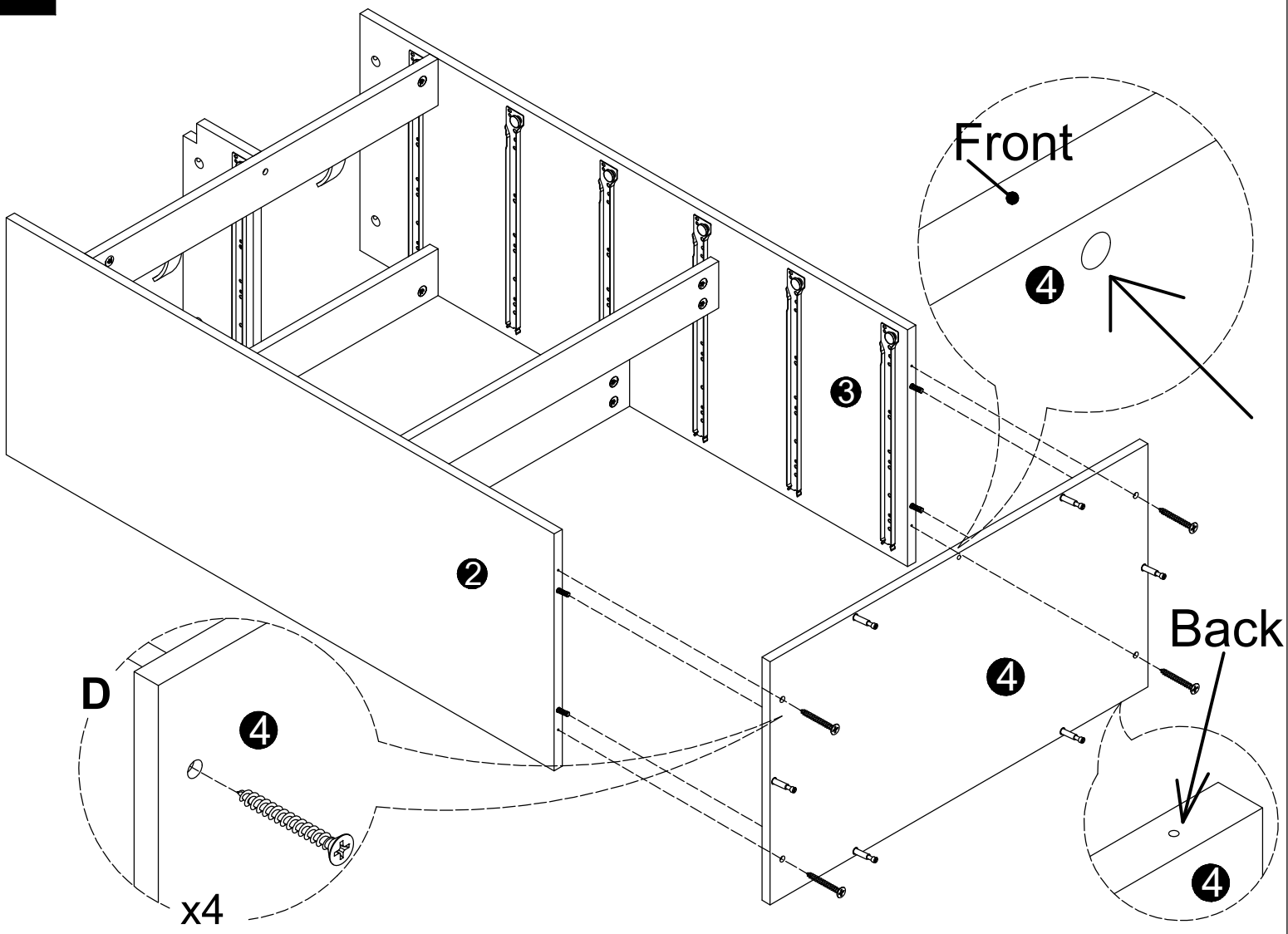
10



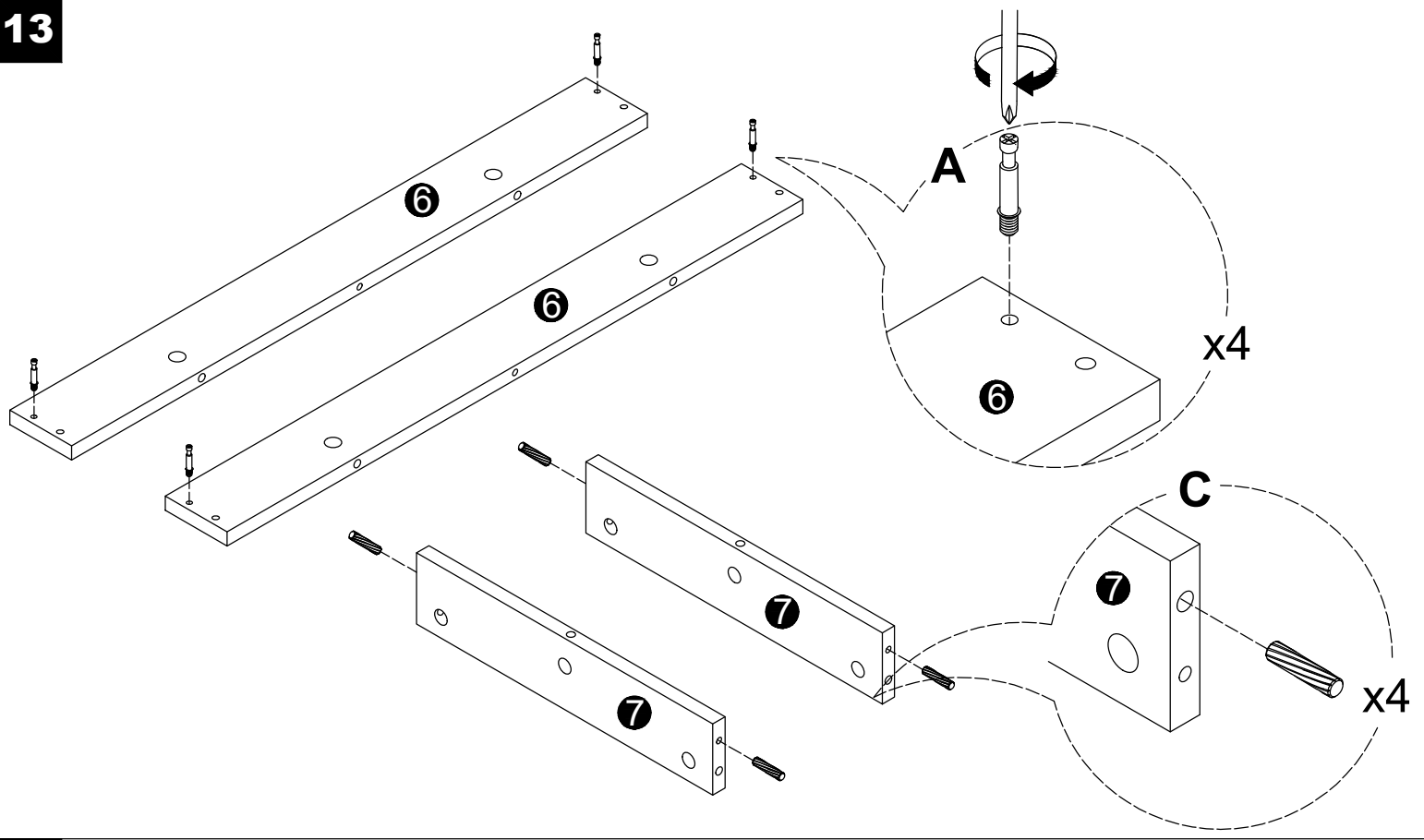
11



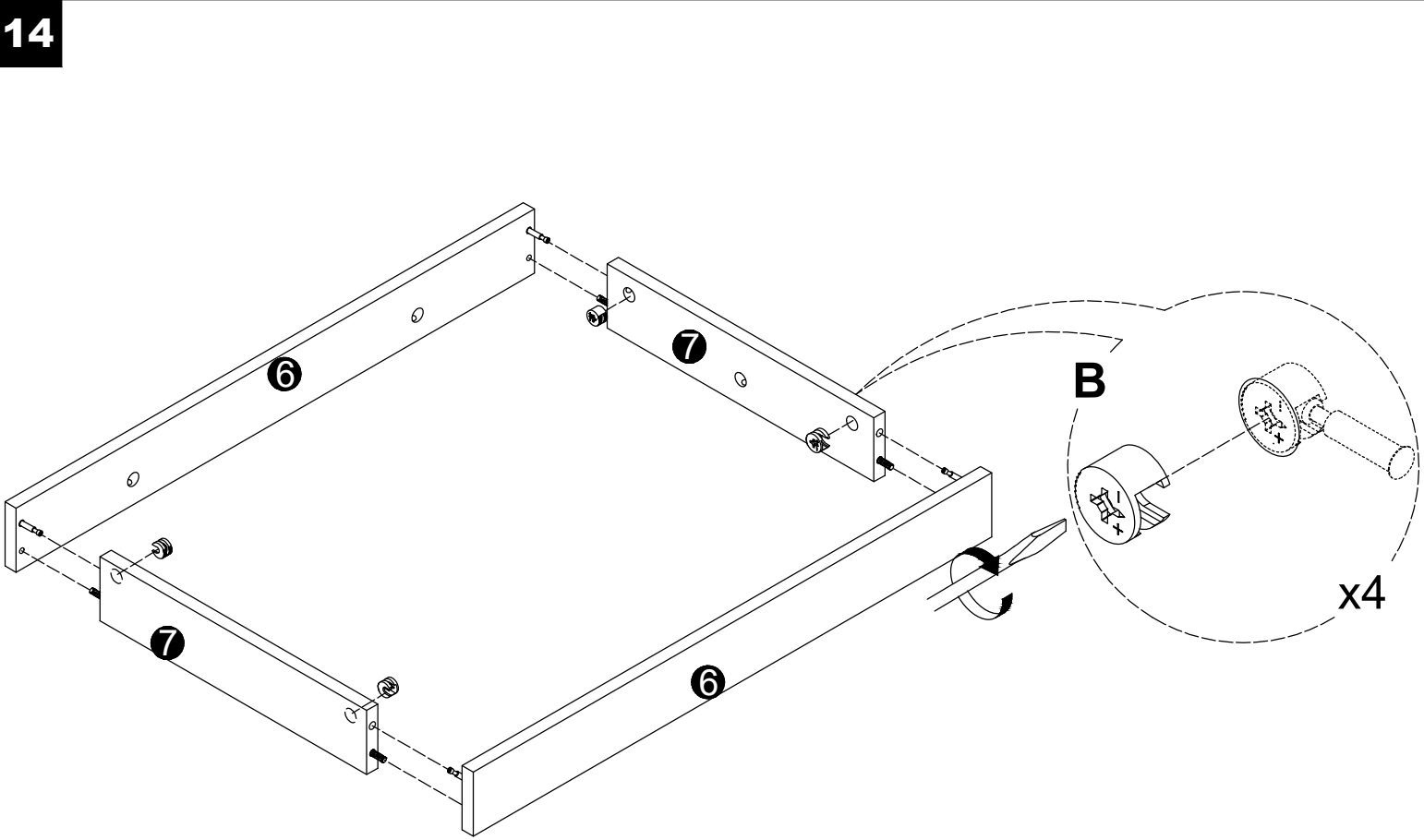
12



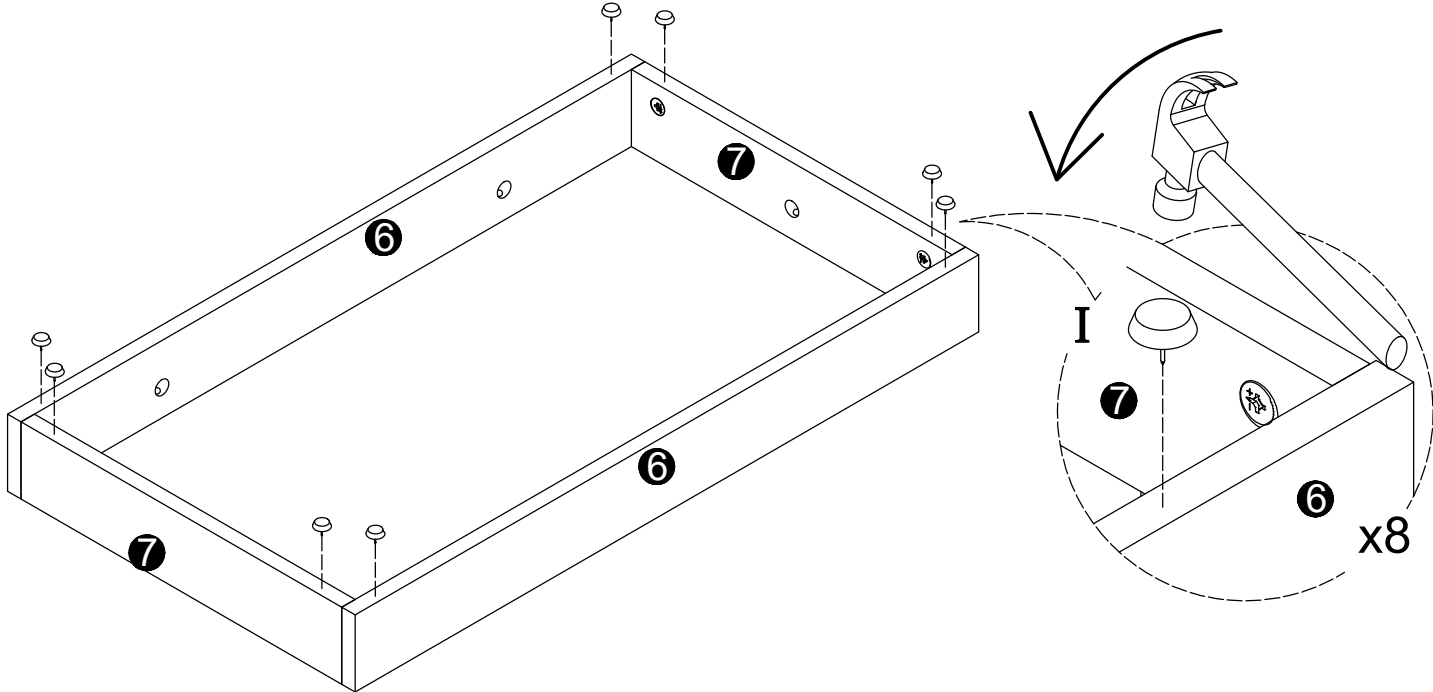
13



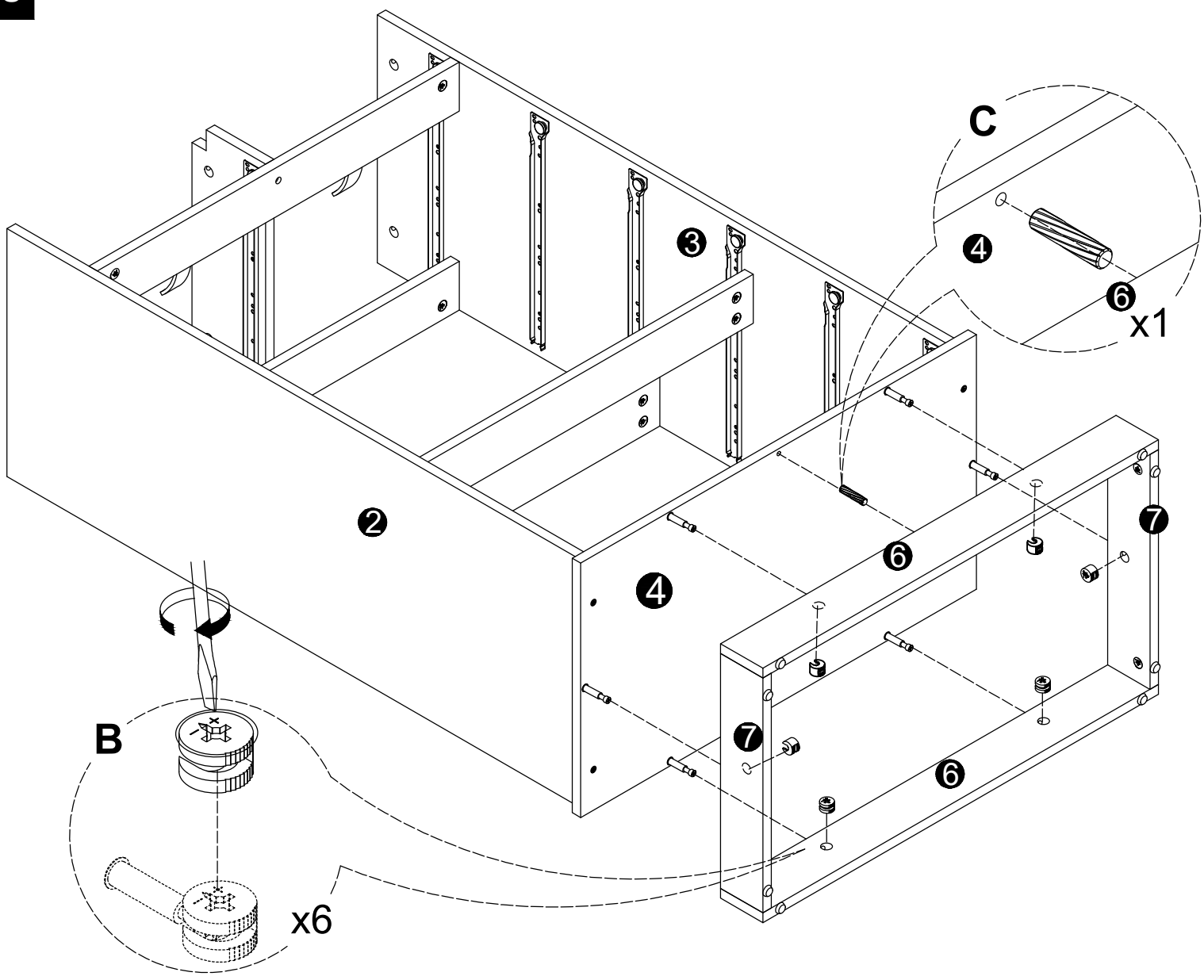
14

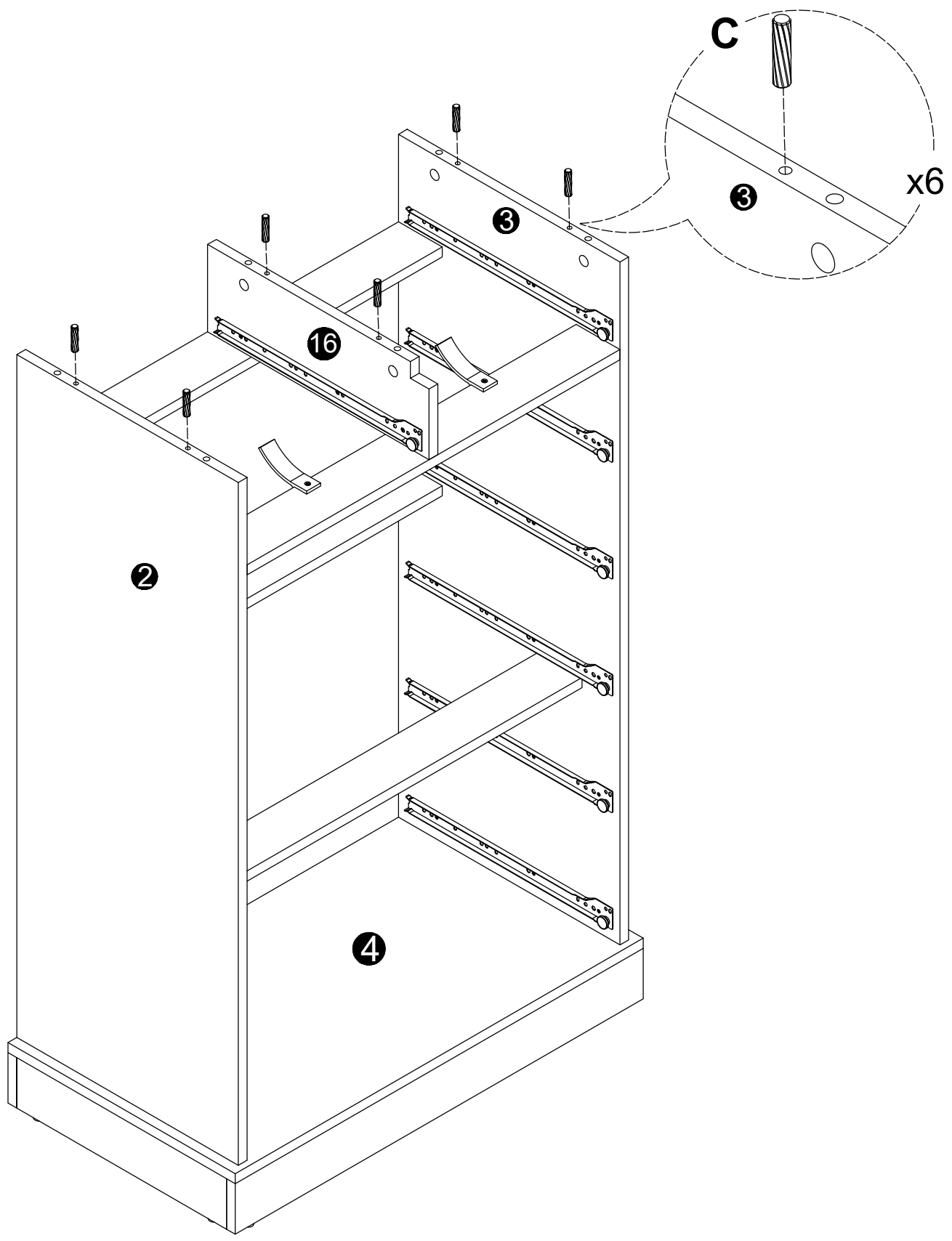


15

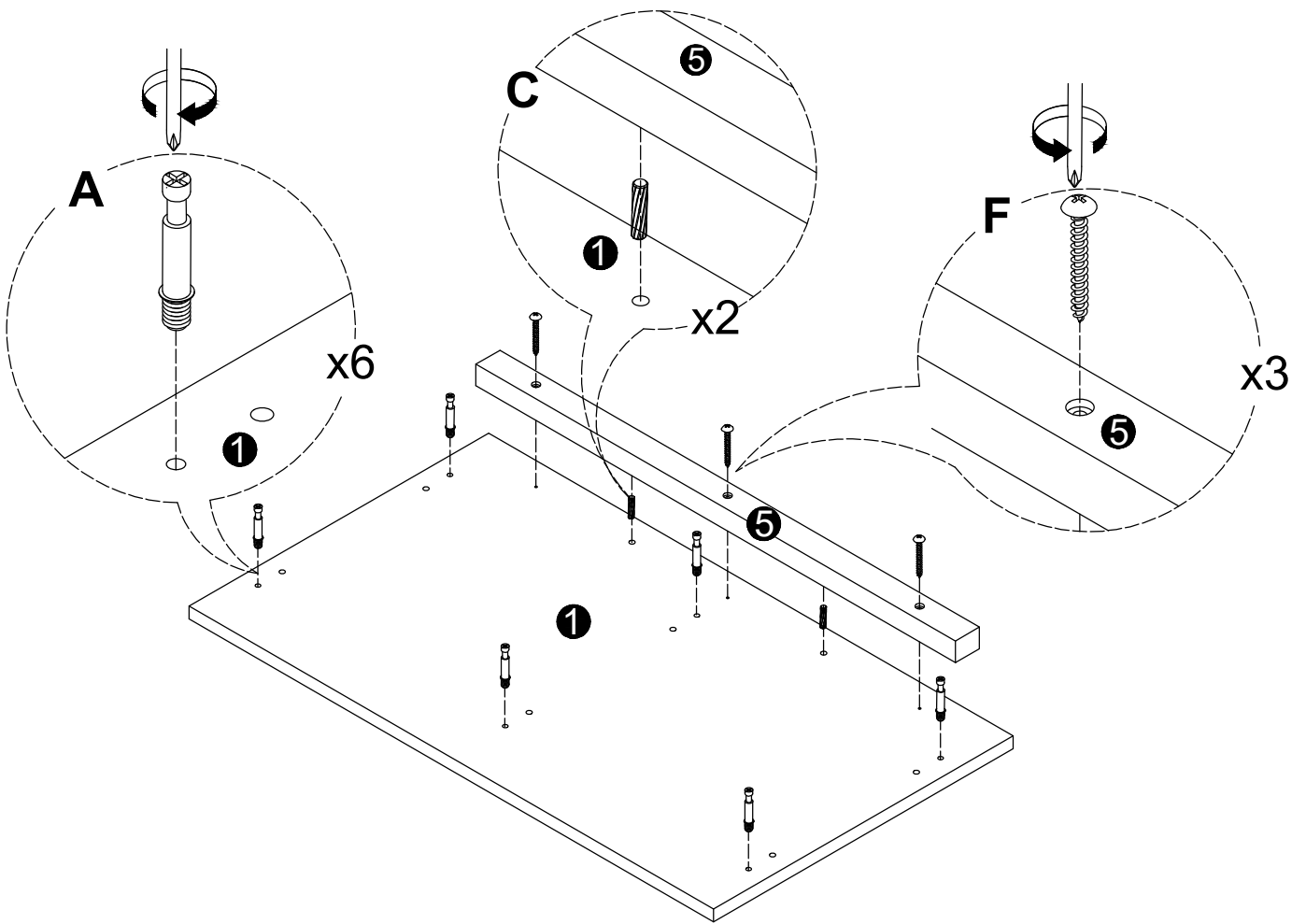


16

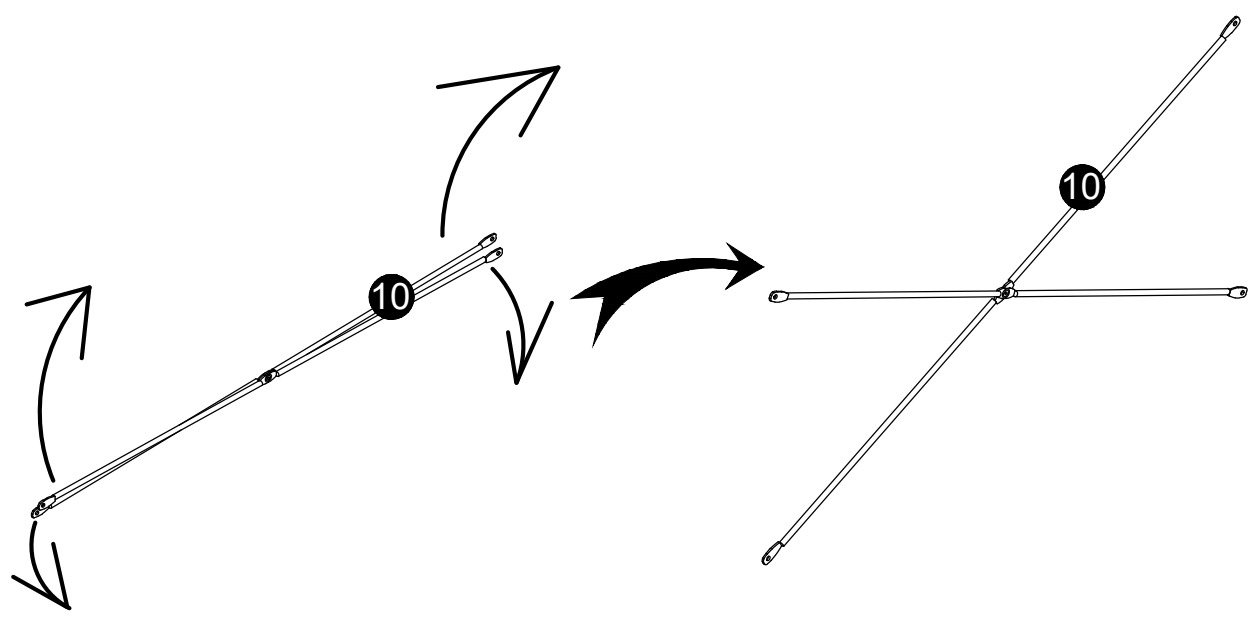


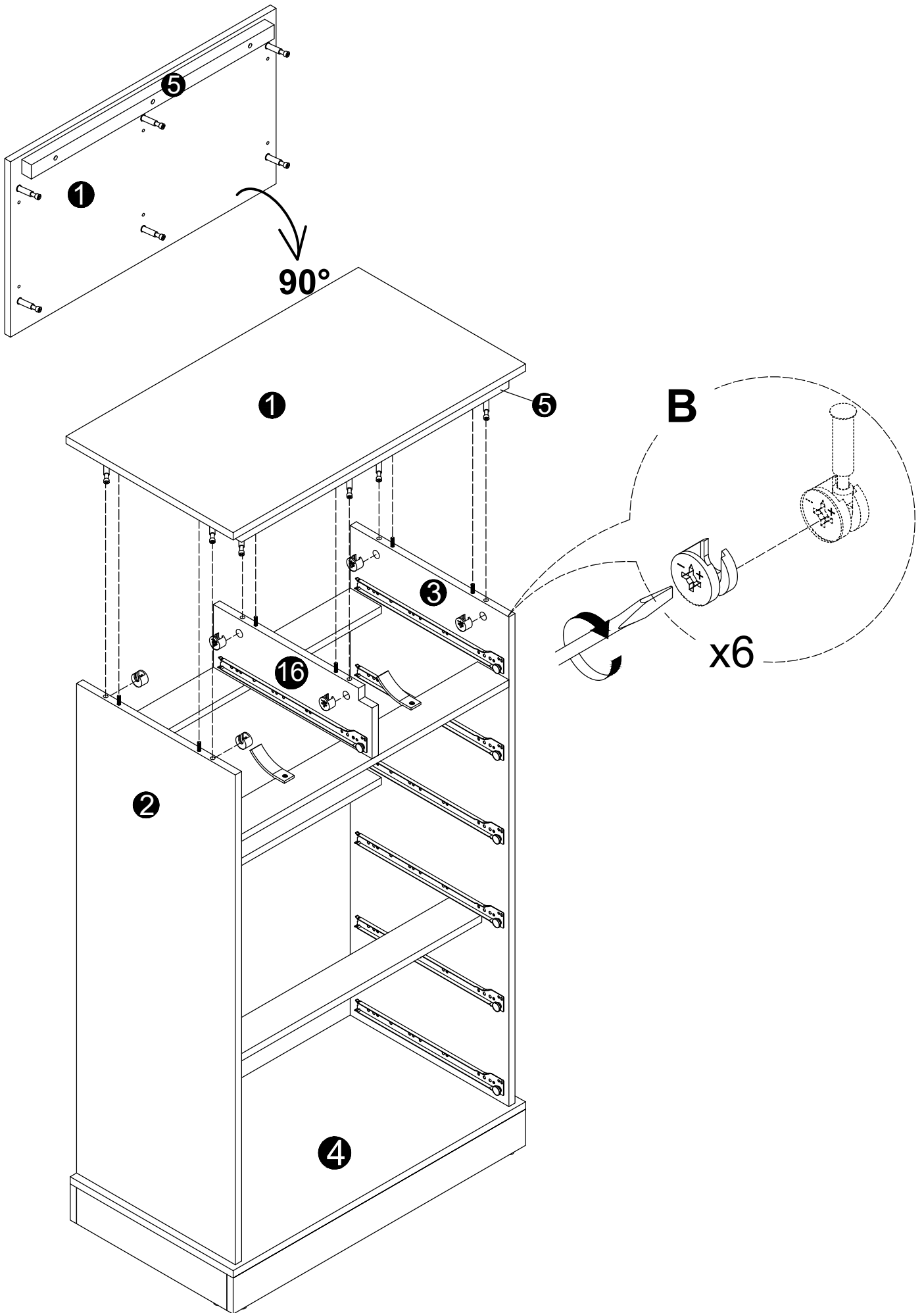


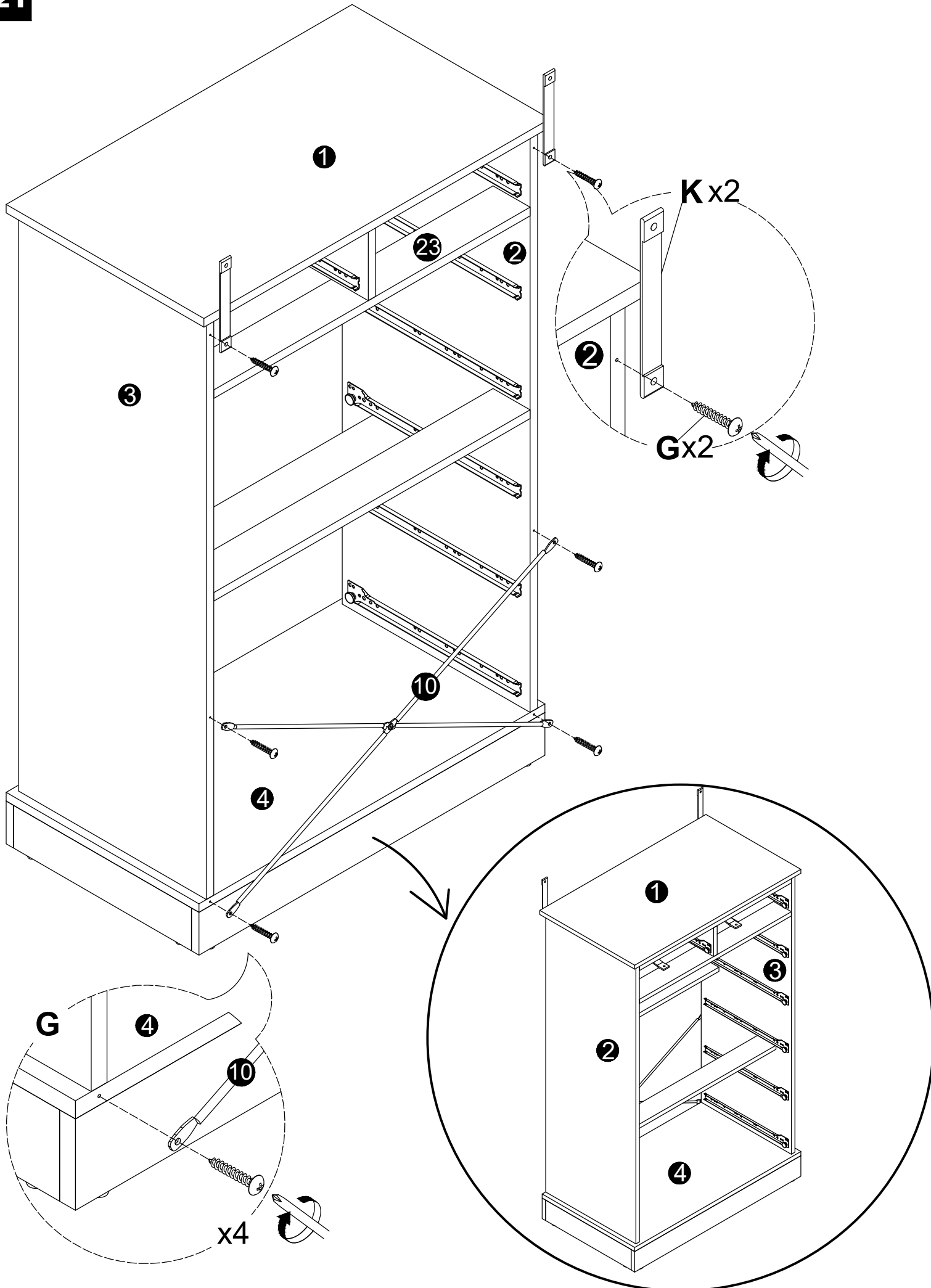
18



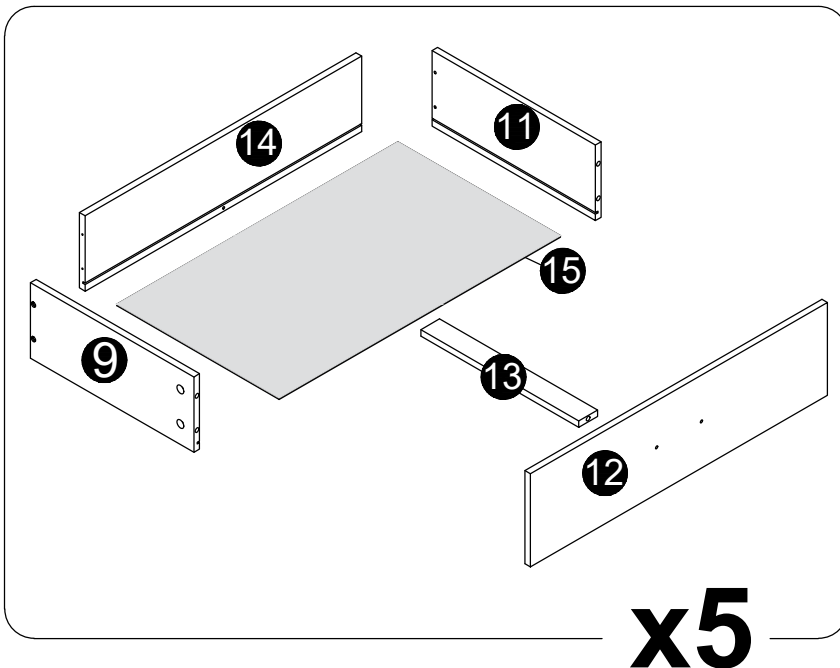
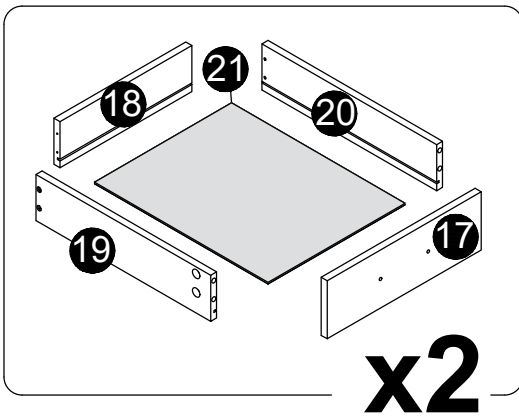
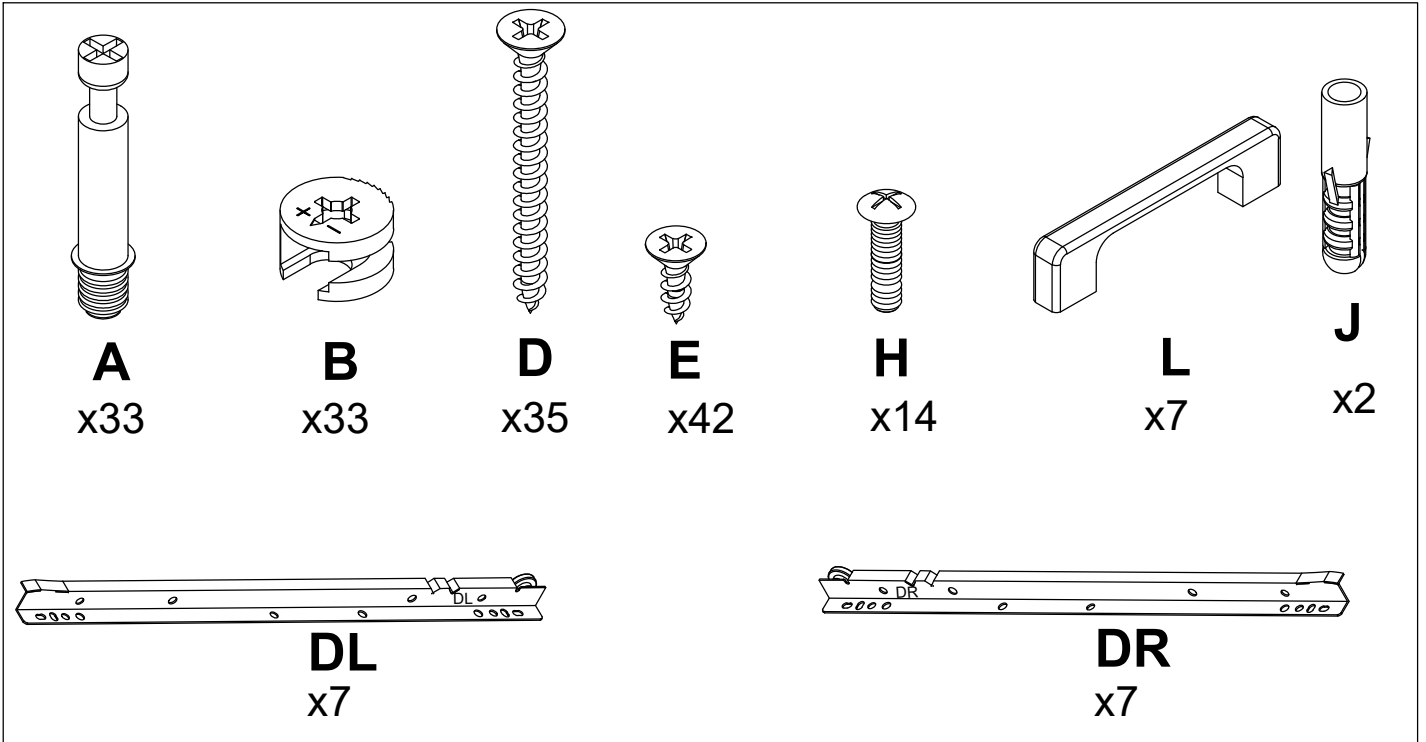
19



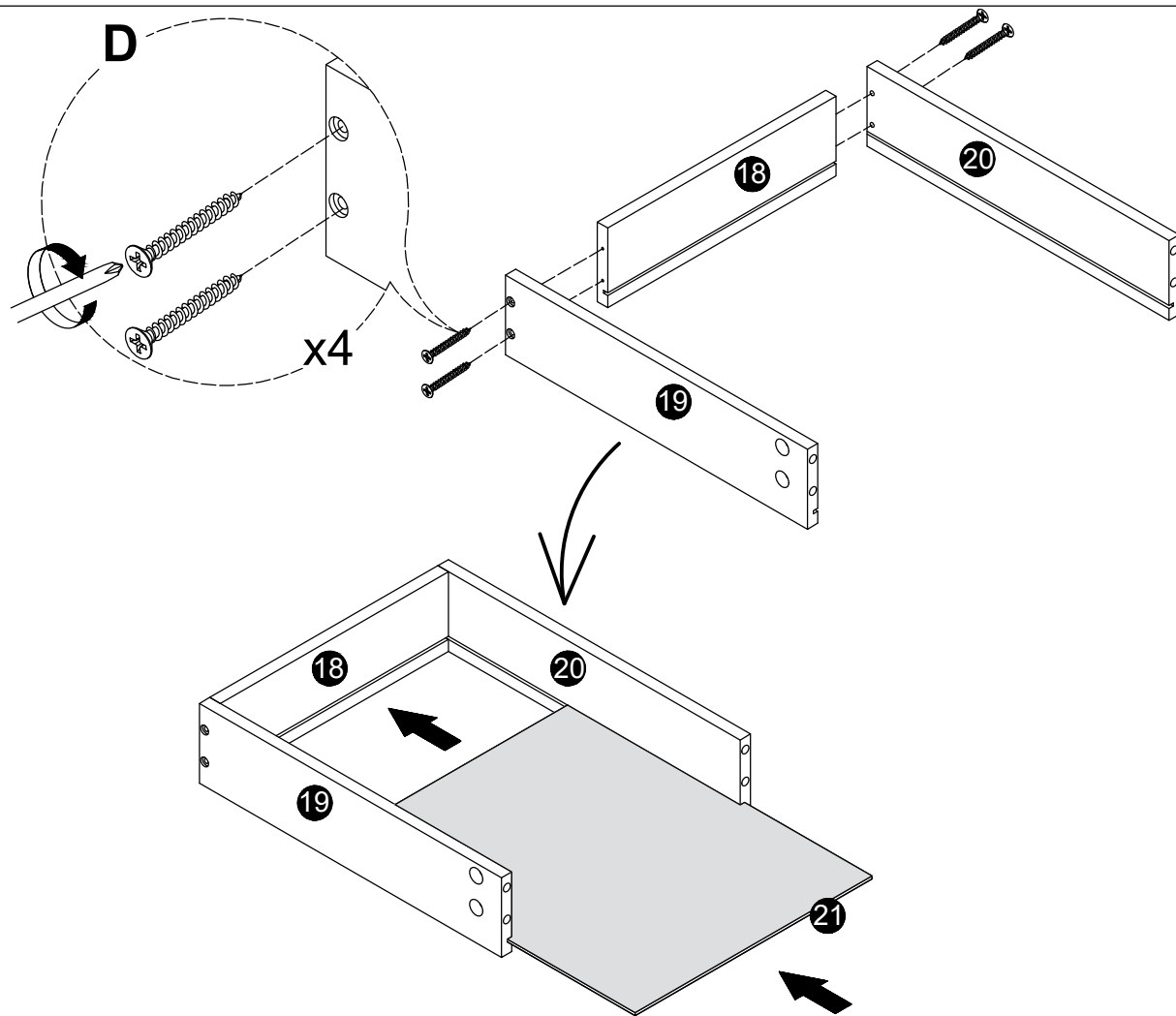




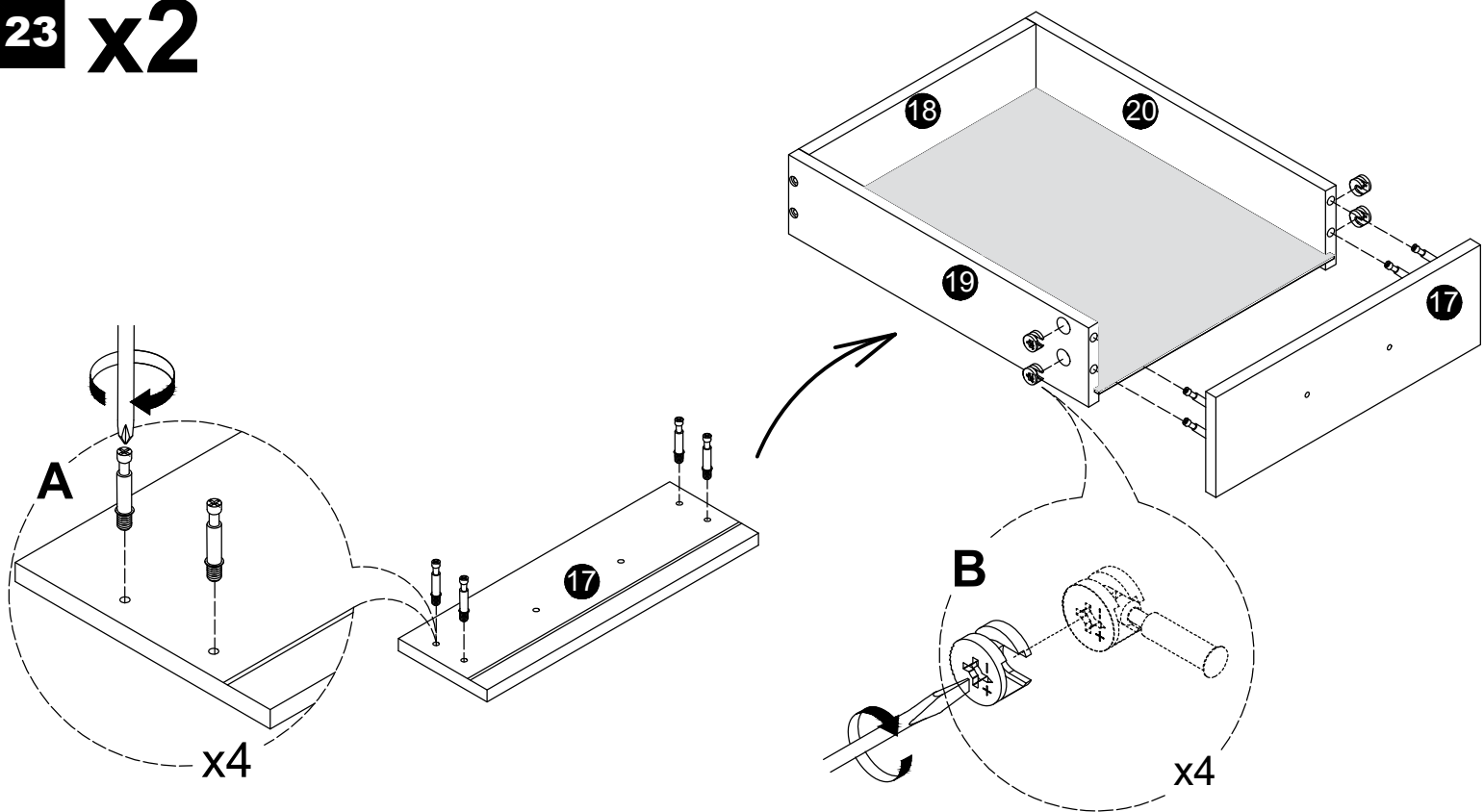
Drawer installation



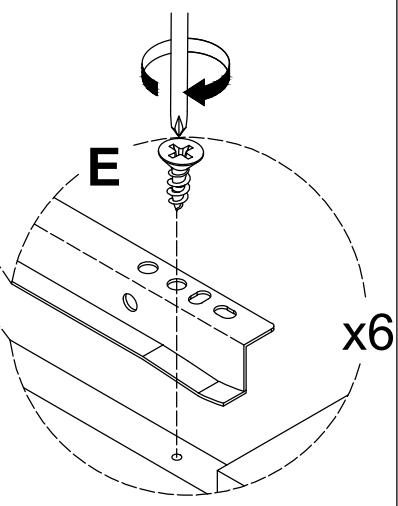
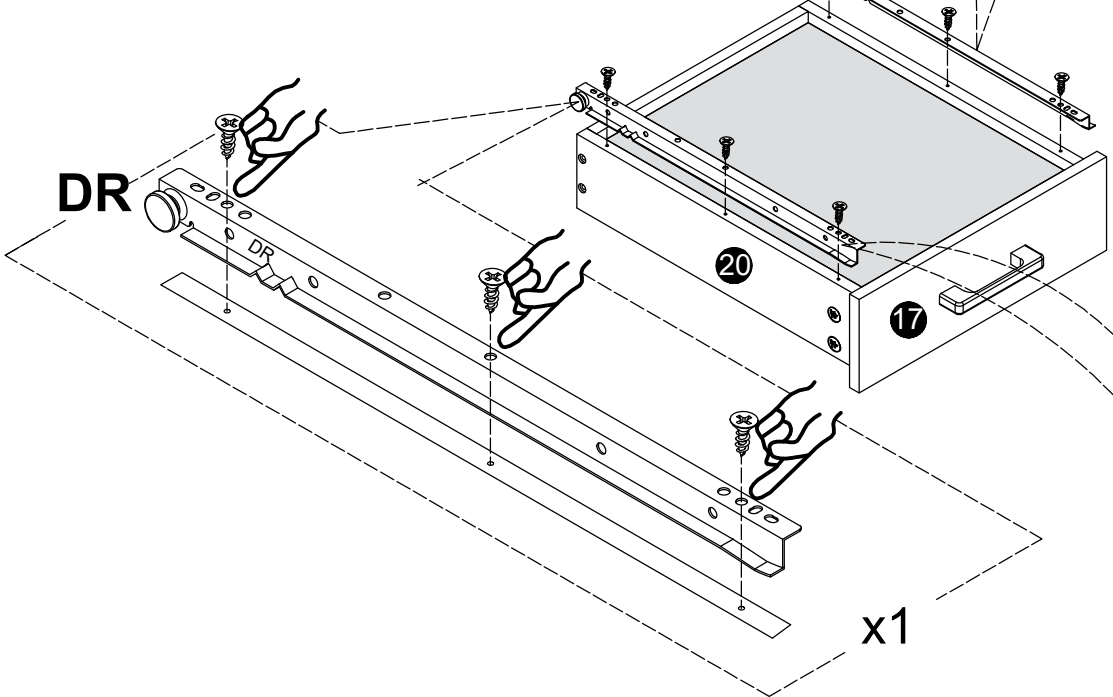
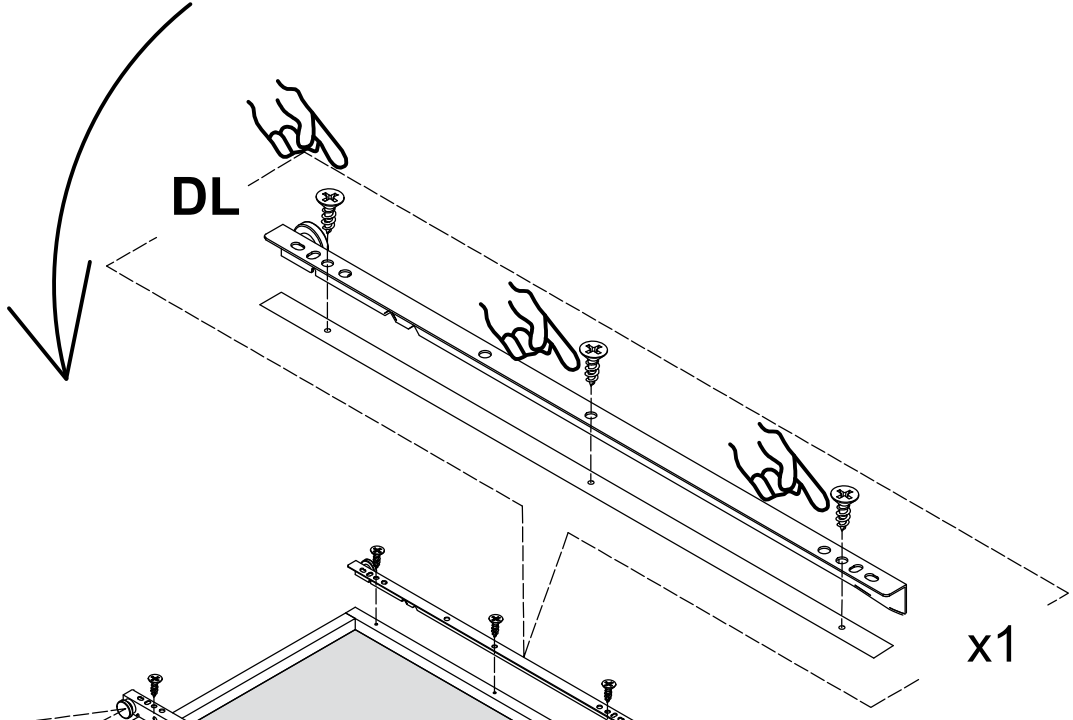
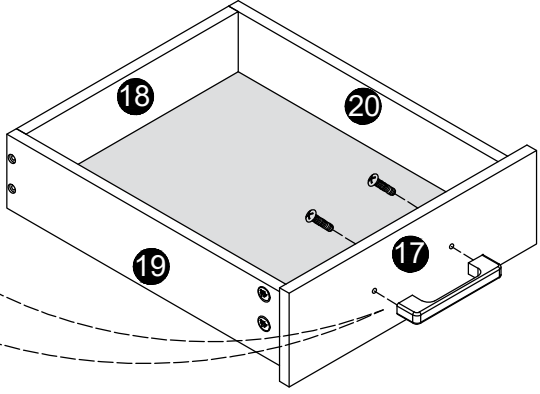
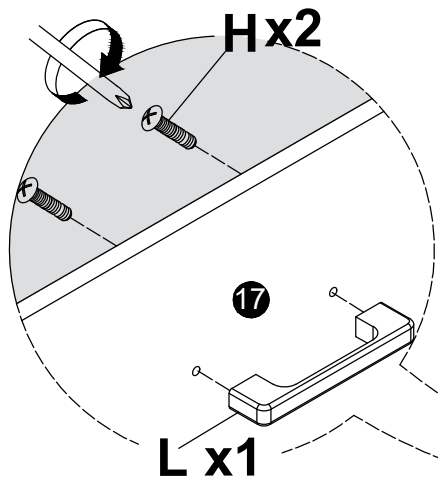
22 x2



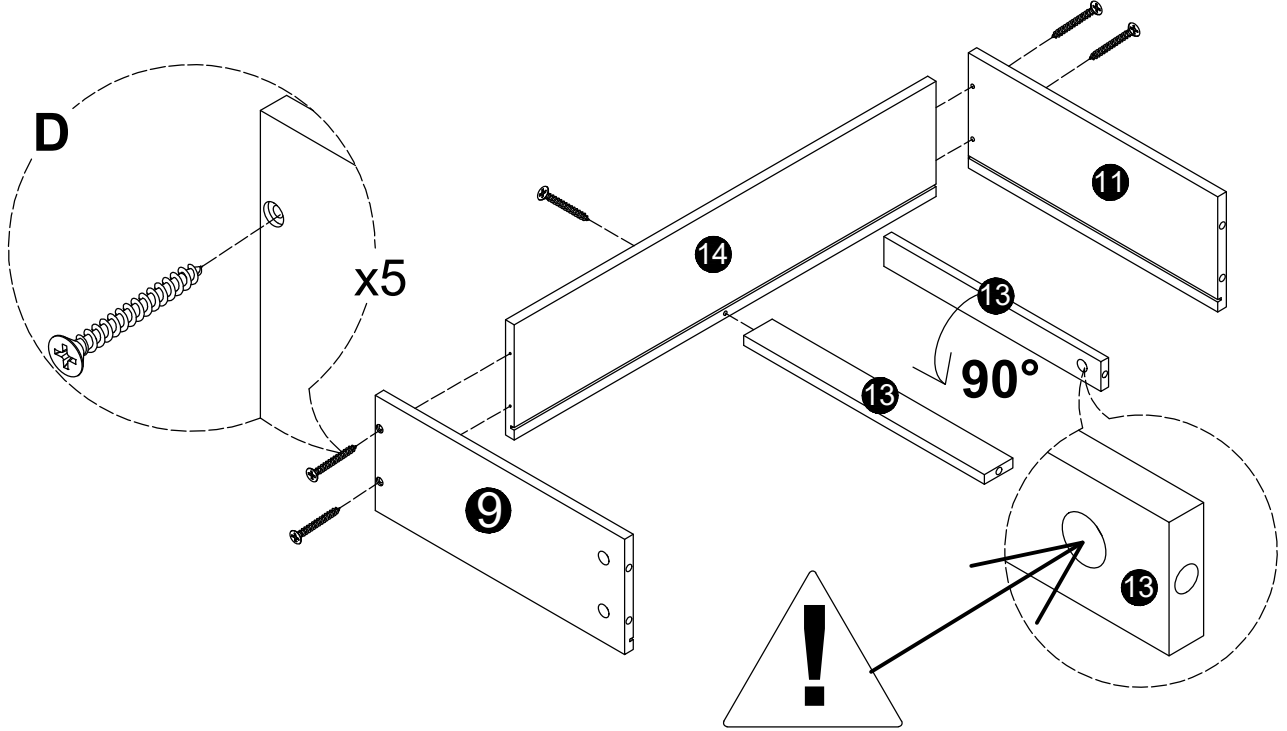
23 x2



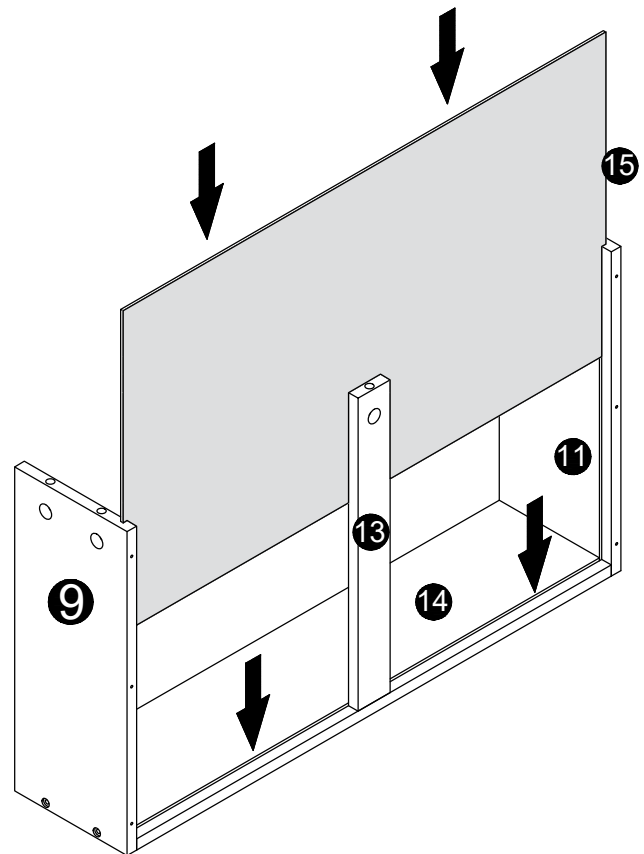
24 **x2**



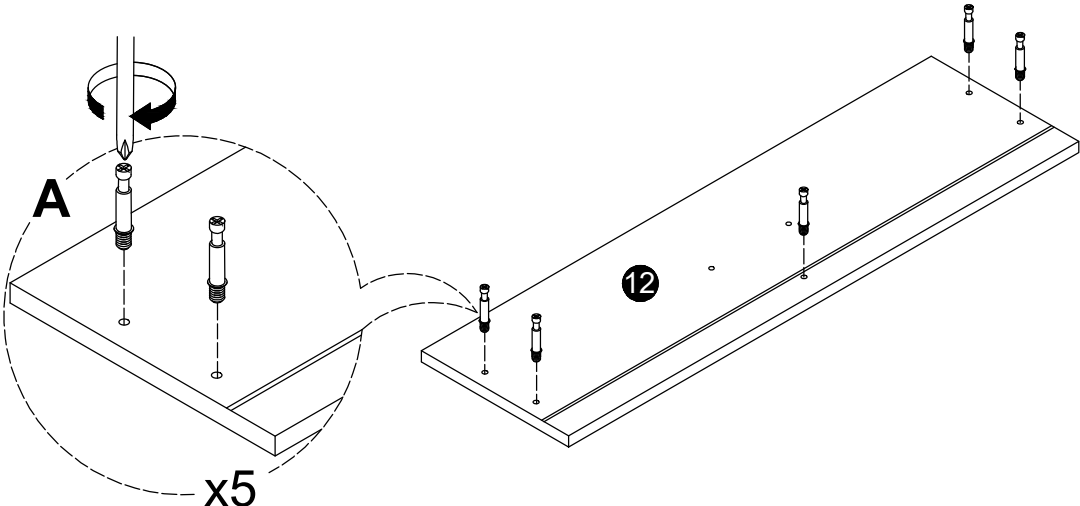
25 x5



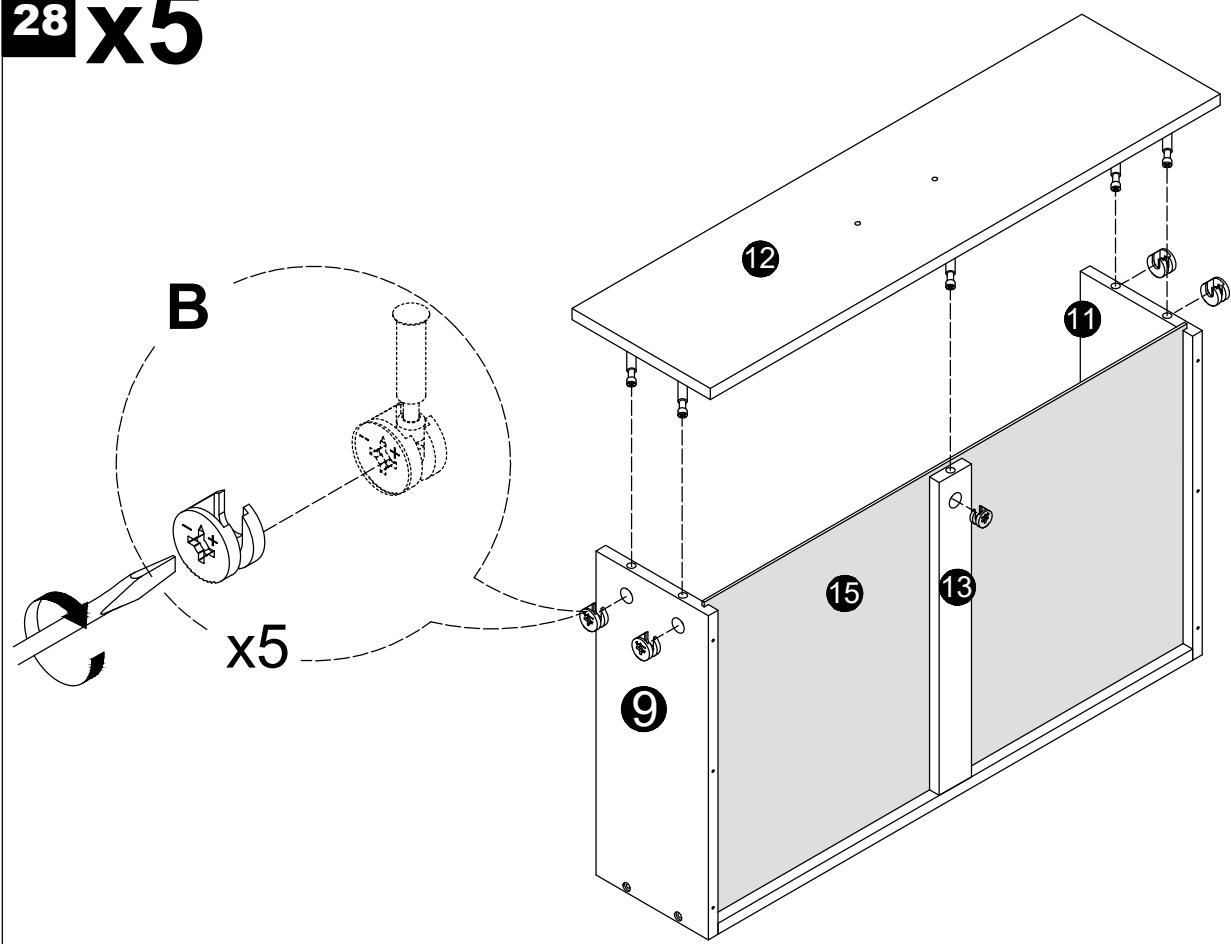
26 x5



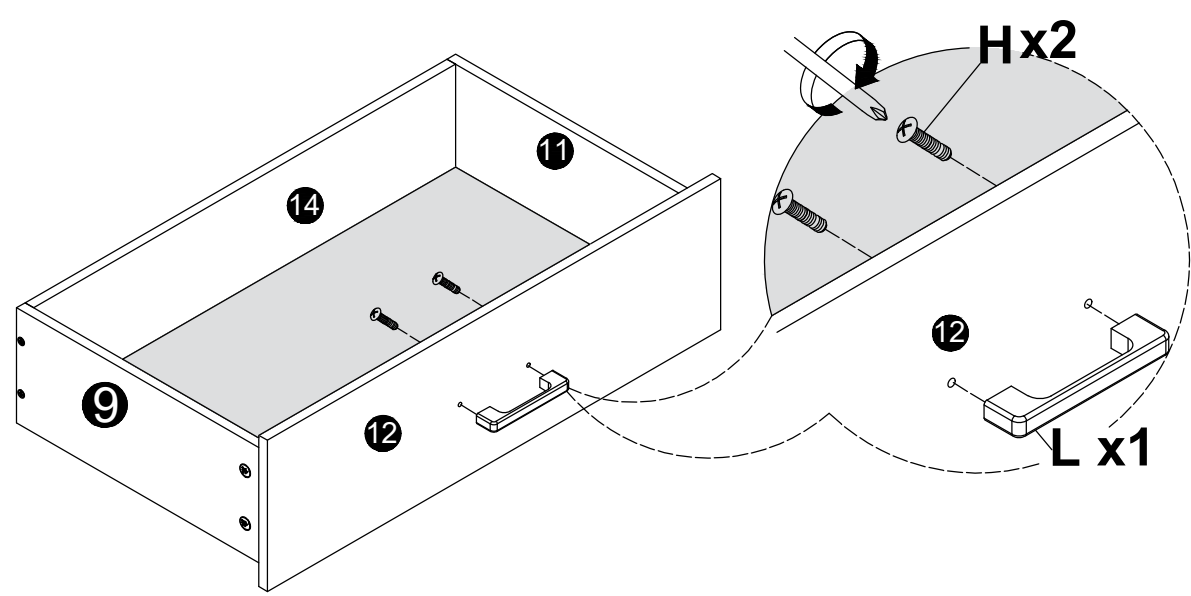
27 x5



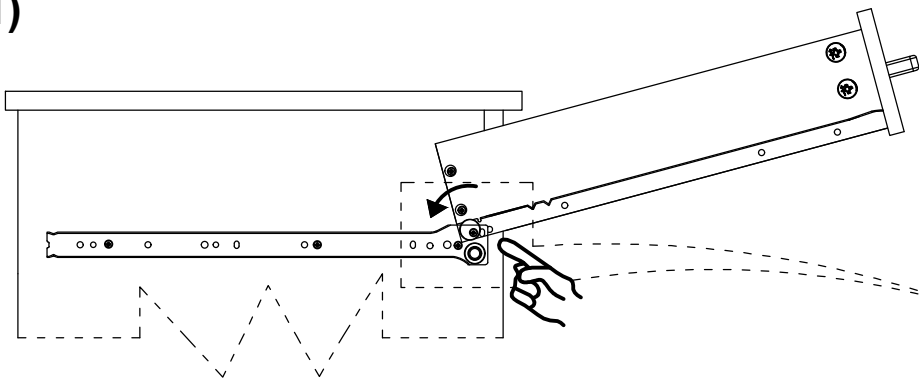
28 x5



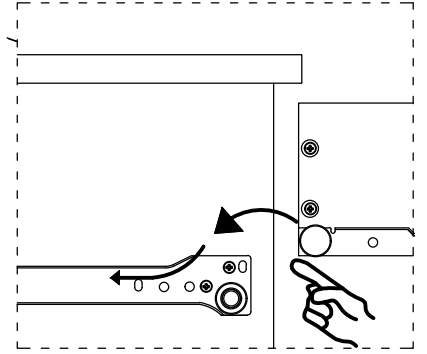
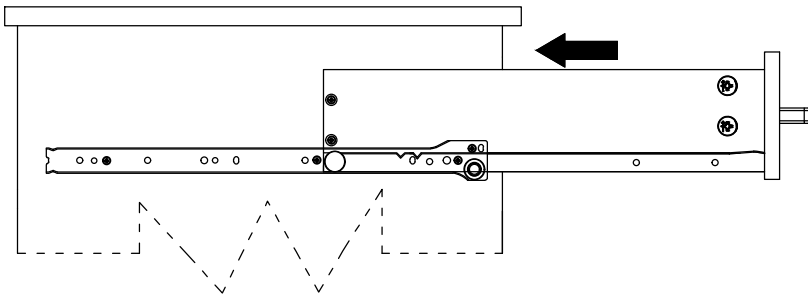
29 x5



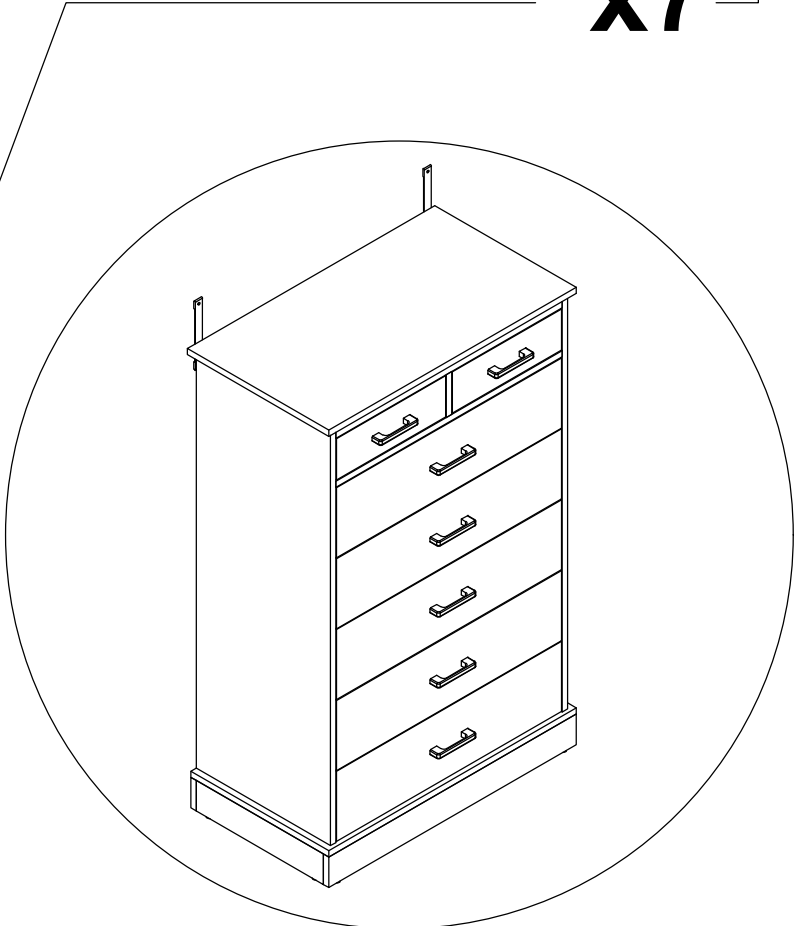
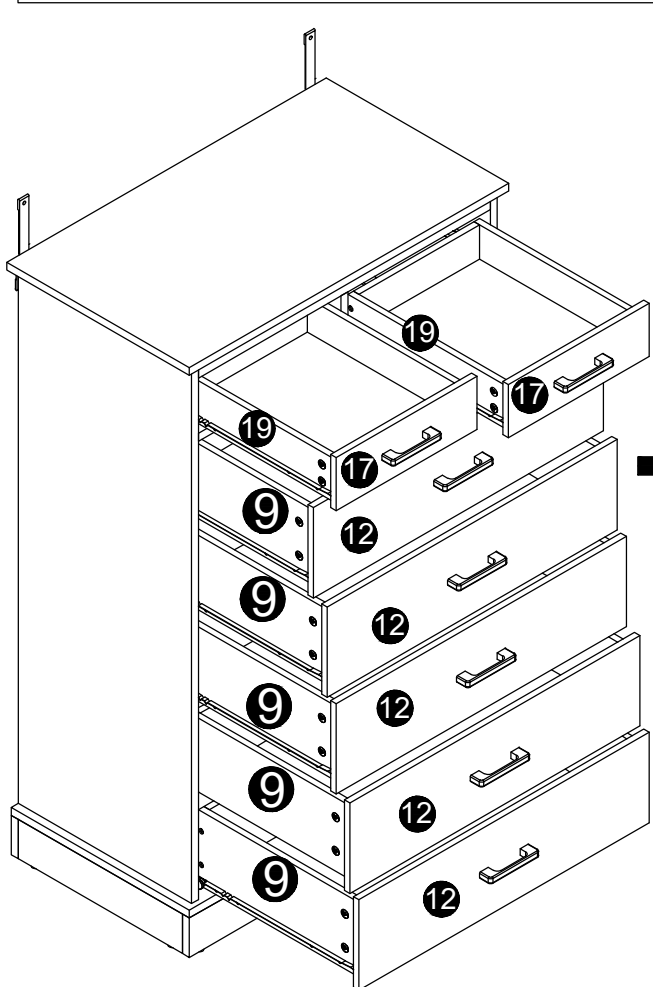
(1)



(2)



x7



WALL

I x2

WALL
+
drilling hole
Ø6x30mm

II x2

WALL J x2

III x2

WALL

D

x2

