

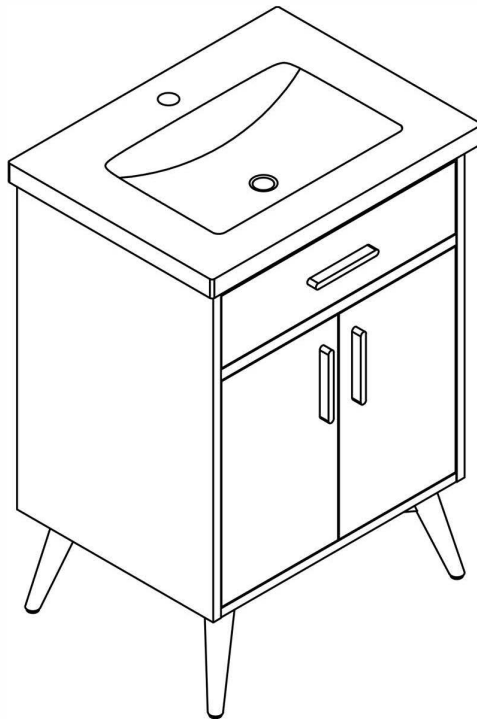
*Thank you for Shopping with us!*

*We hope we were able to provide your home with the perfect vanity. This vanity has been constructed with design, quality and functionality in mind. We hope you enjoy this new addition!*

***Your feedback is invaluable to us and we would love to hear about your experience. Please take the time to leave us a review.***

---

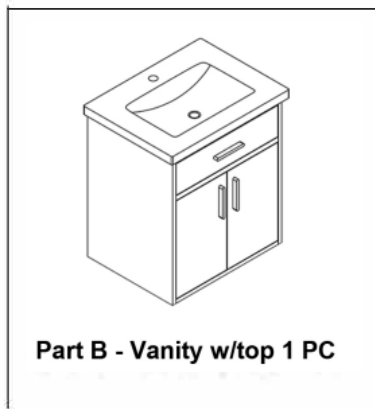
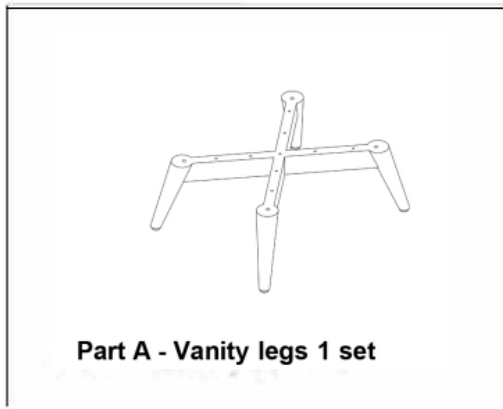
We encourage you to take a few minutes to go through this booklet. It contains important information on installation and care tips to keep your furniture looking as good as new.



## 24" Bathroom Vanity

Before assembly and installation, please check and ensure you received the items in the below "Part List". Please report any missing items to your retailer immediately.

### Part List



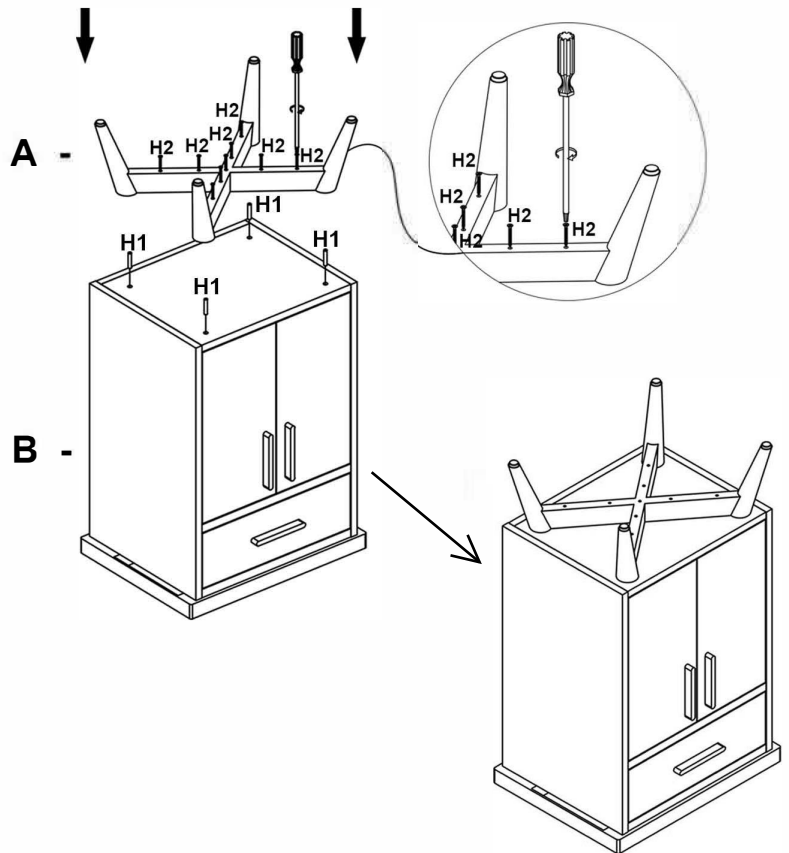
### NOTES, ASSEMBLY AND INSTALLATION

- Faucet, Drain, Silicone and all other plumbing components are not included.
- Handling will require two people.
- Ensure the vanity is installed on a level floor. Unevenness can cause the vanity to become misaligned, resulting in twisting of the cabinet. Balance any uneven areas by using the adjustable levels.
- Ensure all building & plumbing codes are respected. Professional installation recommended.
- Follow below steps for assembly and installation.

## 24" Bathroom Vanity

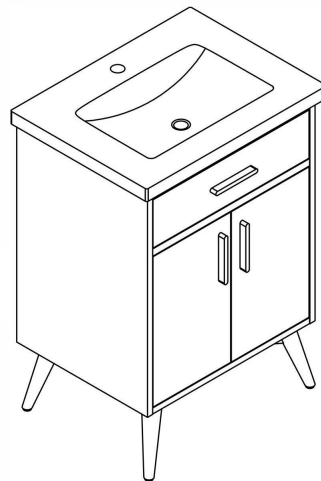
### STEP 1:

- Place the vanity face down on a soft surface to begin assembly
- Place the Wooden Pegs (H1) into the four existing holes in the bottom of vanity.
- Attach the Vanity legs set(A) with the assembled wooden pegs.
- Secure the Vanity legs set (A) in place by inserting the screws (H2).



### STEP 2:

- Place the vanity in the desired location and ensure the vanity is level using the adjustable levelers
- Install the faucet and all plumbing.
- Ensure there are no water leaks.



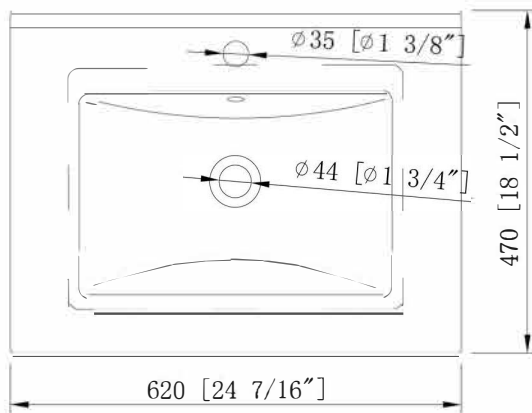
# 24" Bathroom Vanity

## CARE, CLEANING AND MAINTENANCE

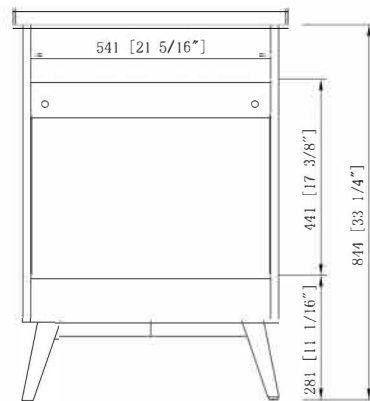
- Dust regularly with a soft, dry cloth.
- Avoid the use of all chemicals, household cleaners, abrasives or cleaners that contain lemon, vinegar or other acids that may damage finish.
- Excessive exposure to sunlight and extreme changes in temperature and moisture can damage wood furniture.
- The porcelain sink is resilient, but care needs to be taken to preserve its appearance.
- Do not place hot appliances, such as curling irons and hot hair dryers directly on the counter top. Wipe spills immediately.

## DIMENSIONS

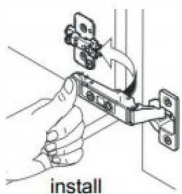
TOP VIEW



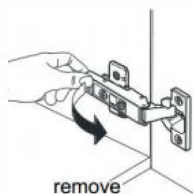
BACK VIEW



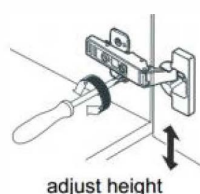
Adjust the hinges, if required.



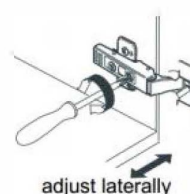
install



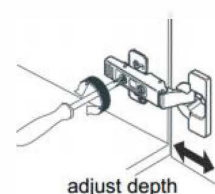
remove



adjust height



adjust laterally



adjust depth