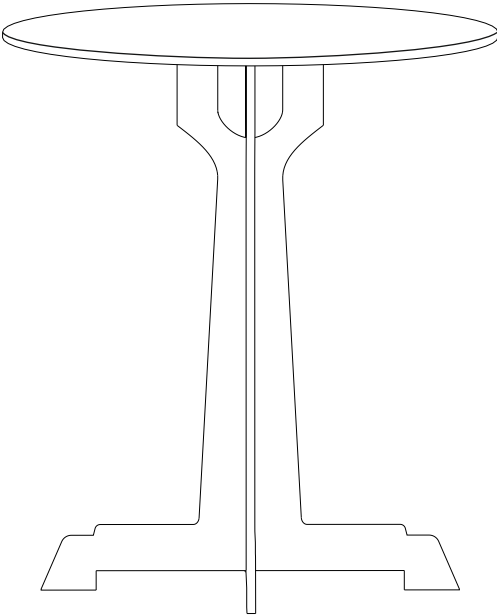

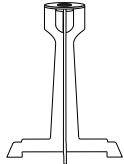


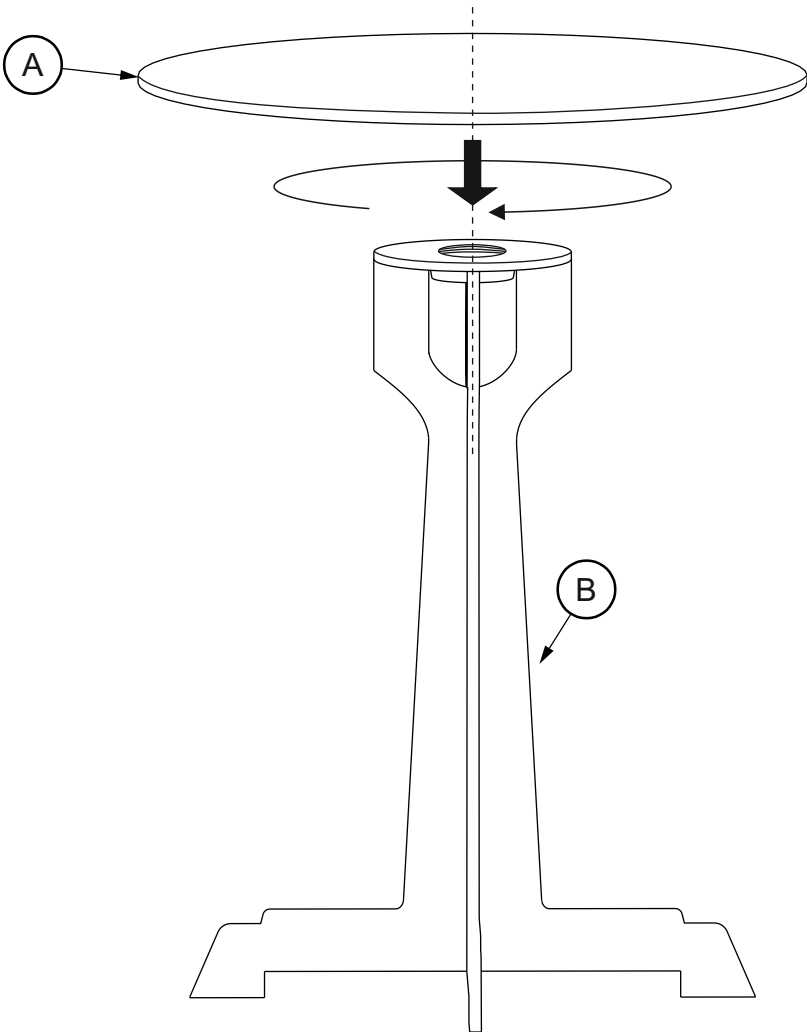
ASSEMBLY INSTRUCTION FOR

MALLOY OUTDOOR END TABLE



HARDWARE LIST				
A		TOP	Ø18 X 5 mm	1
B		BASE	Ø393.7 X 505mm	1

Step 1



Step 2

