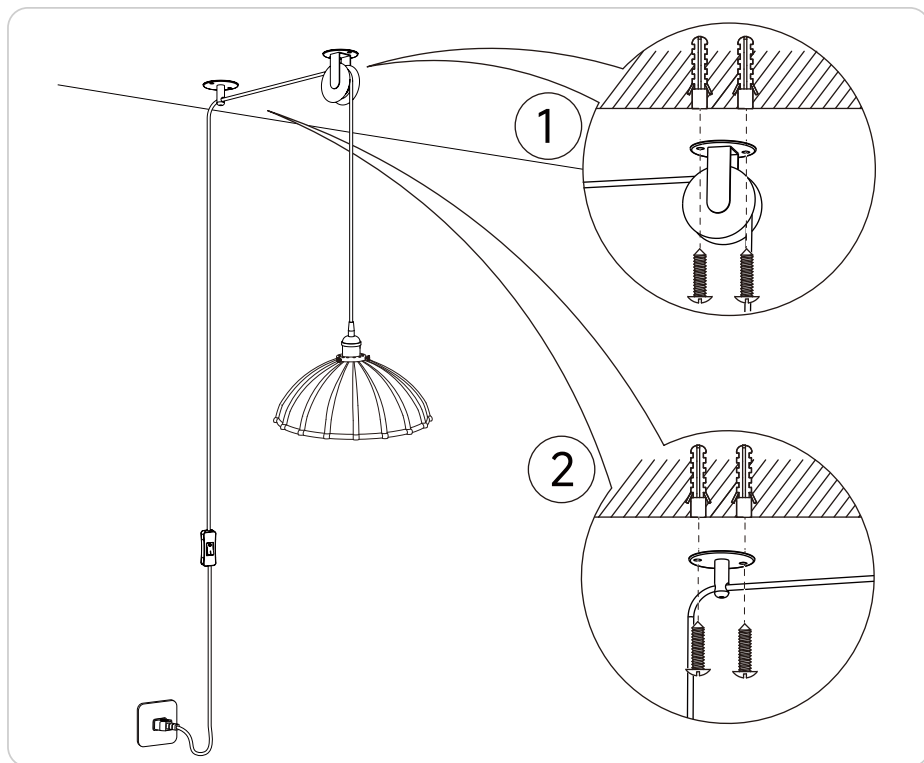


Pully And Adjustable Base Assembly (Plug Model Only)



① After selecting the fixed position and height of the lamp, push the expansion tube into the wall, and screw the pulley into and fix it on the wall with screws.

② Take the same method as above to fix the screws of the base.

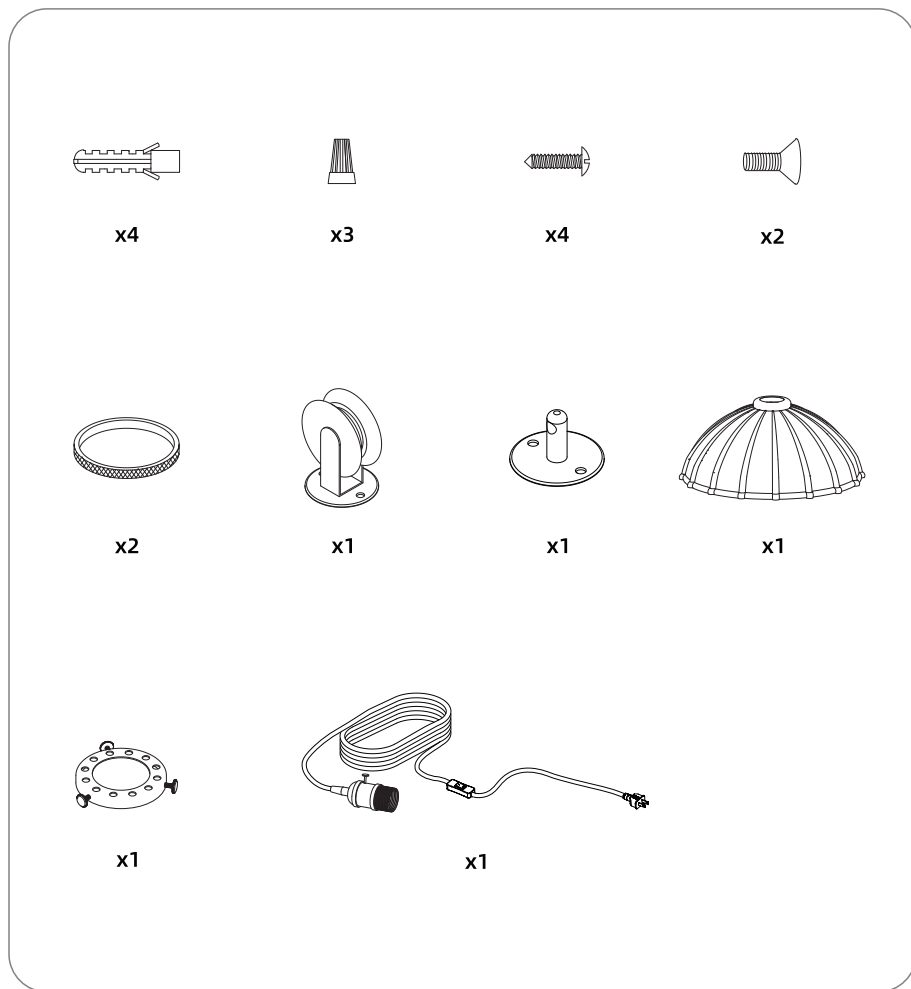


PENDANT LIGHT INSTRUCTION MANUAL

note: If you found the damaged accessories please contact us for free replacemten

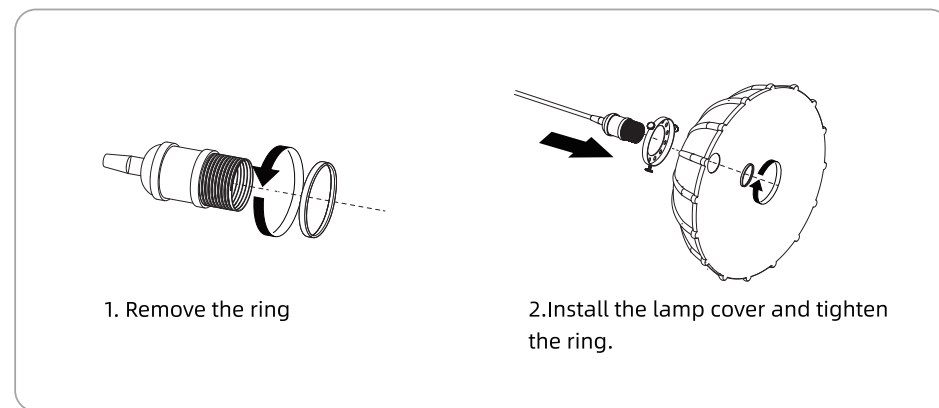
Product Parts

■ Classic Model



Lamp shade and switch

■ Lamp cover assembly



■ Installation Complete

