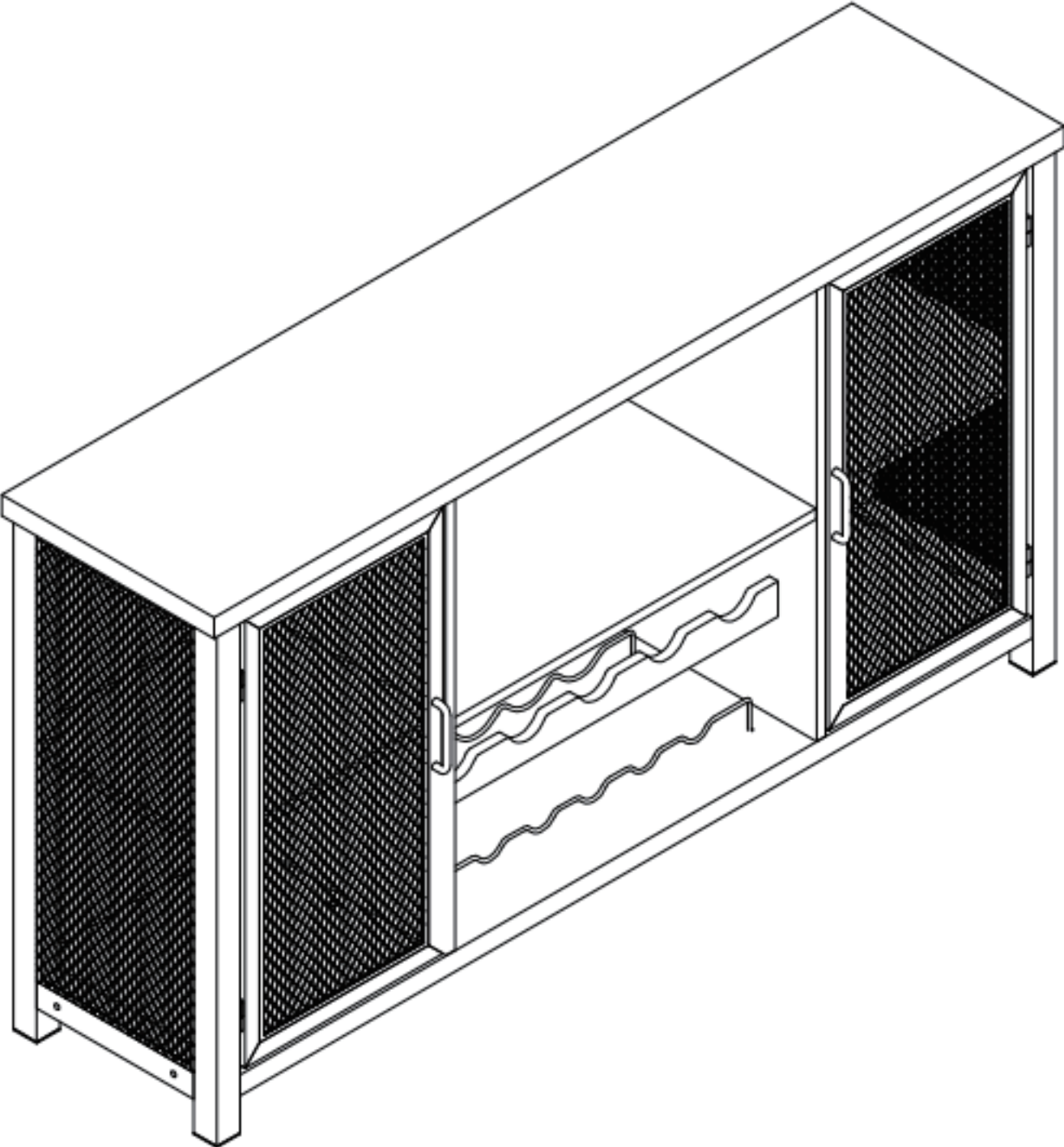


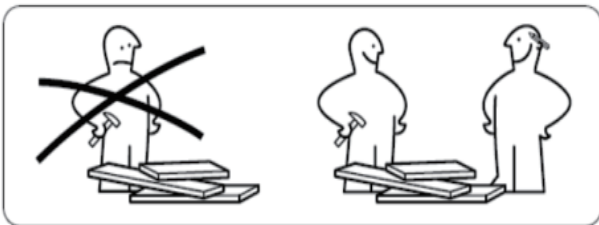
ASSEMBLY INSTRUCTION

Bar Cabinet

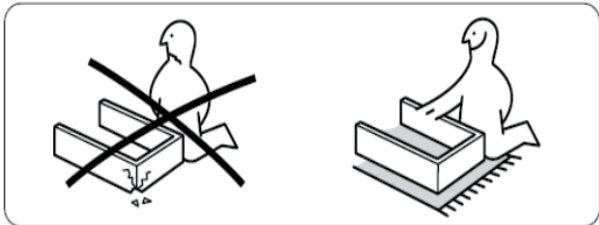


ASSEMBLY TIPS

1. Please read the Assembly Instruction first and become familiar with the parts.
2. Proper assembly of this item requires 2 people.



3. Unpack and assemble this unit in an spacious area, assemble the unit on top of the empty carton or carpet to prevent scratches.



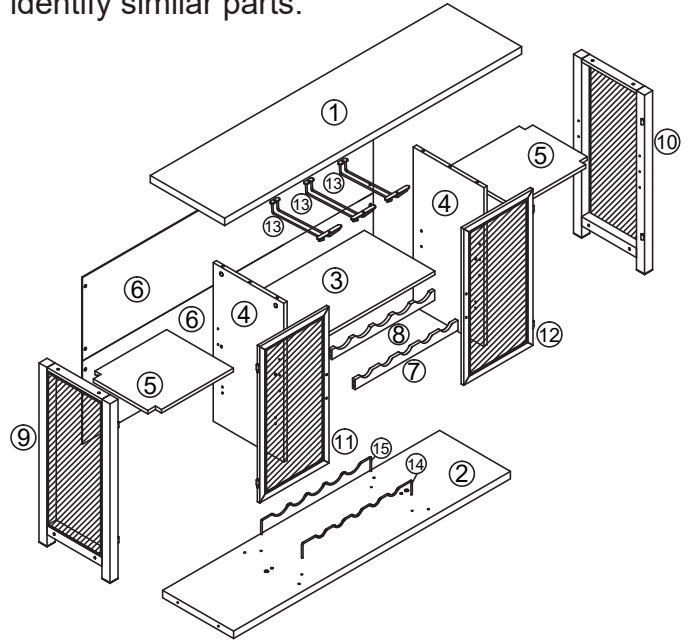
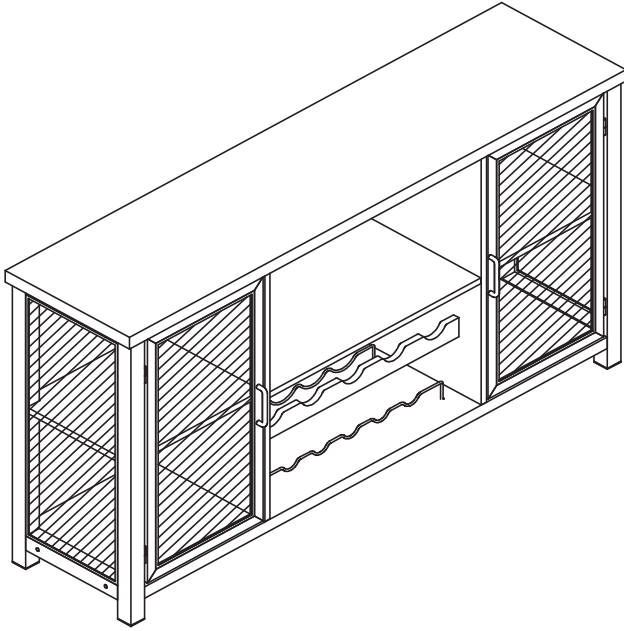
4. To avoid accidentally discarding small parts or hardware, DO NOT dispose of any contents until assembly is completed.
5. **Do not fully tighten all bolts until all parts are in place.** Failure to follow these instructions may cause the bolts to misalign during assembly.

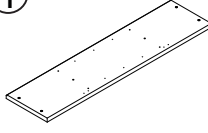
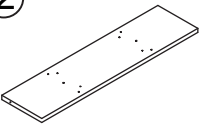
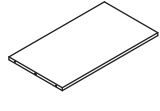
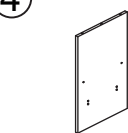

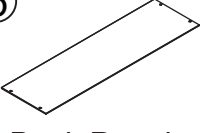
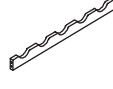
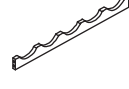
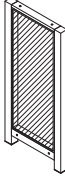
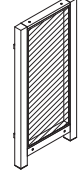
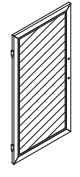
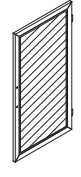
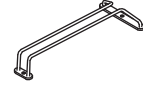

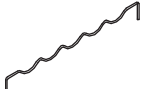

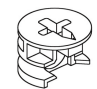






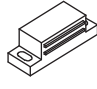




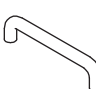





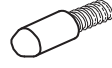
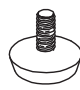


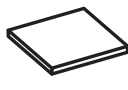
CARE INSTRUCTIONS

- (1) Hardware may loosen overtime. Periodically check that all connections are tight.
- (2) Wipe with a soft, dry cloth. To protect finish, avoid the use of chemicals and household cleaners.
- (3) All hot serving dishes should be placed on a pad.
- (4) Any liquid spilled onto the furniture should be cleaned up immediately with a dry cloth.

Part Identification

While not all parts are labeled, some of the parts will have a label to help distinguish similar parts from each other. Use this part identification to help identify similar parts.

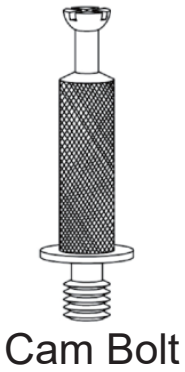


 Top Panel 1PC	 Bottom Panel 1PC	 Mid Panel 1PC	 Vertical Panel 2PCS	 Side Panel 2PCS	 Back Panel 2PCS			
 Front Wood Wine Rack 1PC	 Back Wood Wine Rack 1PC	 Left Leg 1PC	 Right Leg 1PC	 Left Door 1PC	 Right Door 1PC	 Glass Rack 3PCS	 Front Wine Rack 1PC	 Back Wine Rack 1PC
 Cam Bolt M6X45mm 4PCS	 Cam Lock Ø15X12mm 4PCS	 Wood Dowel Ø8X30mm 6PCS	 Small Screw M3X18mm 4PCS	 Short Screw M4X18mm 6PCS	 Medium Flat-Head Bolt M5X50mm 8PCS	 Hex Head Self Tapping Screw M7X70mm 4PCS	 Short Flat-Head Bolt M5X40mm 8PCS	
 Magnetic Catch 2PCS	 Double End Studs M6X35mm 2PCS	 Short Bolt M6X15mm 8PCS	 Medium Bolt M6X28mm 4PCS	 Small Bolt M4X18mm 4PCS	 Doorknob 2PCS	 Medium Screw M4X35mm 2PCS	 Plastic Anchors M8X35mm 2PCS	
 Strap 2PCS	 Nail 8PCS	 Adjusting Rod 2PCS	 Pin with thread M6X20mm 8PCS	 Leveler M6X22mm 2PCS	 Allen Key 4mm 1PC	 Cross Head Screwdriver 1PC	 EVA Pad 30°30°*3 mm 4 PCS	

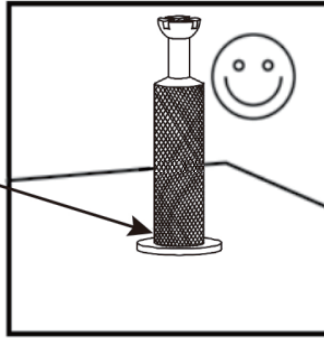
Hardware Usage Guide

HOW TO USE A CAM BOLT & CAM LOCK.

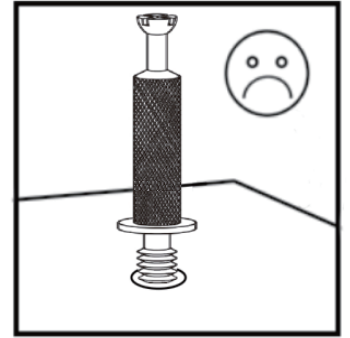
1.



Clockwise rotate the CAM BOLT until the shoulder is against the surface of the board.

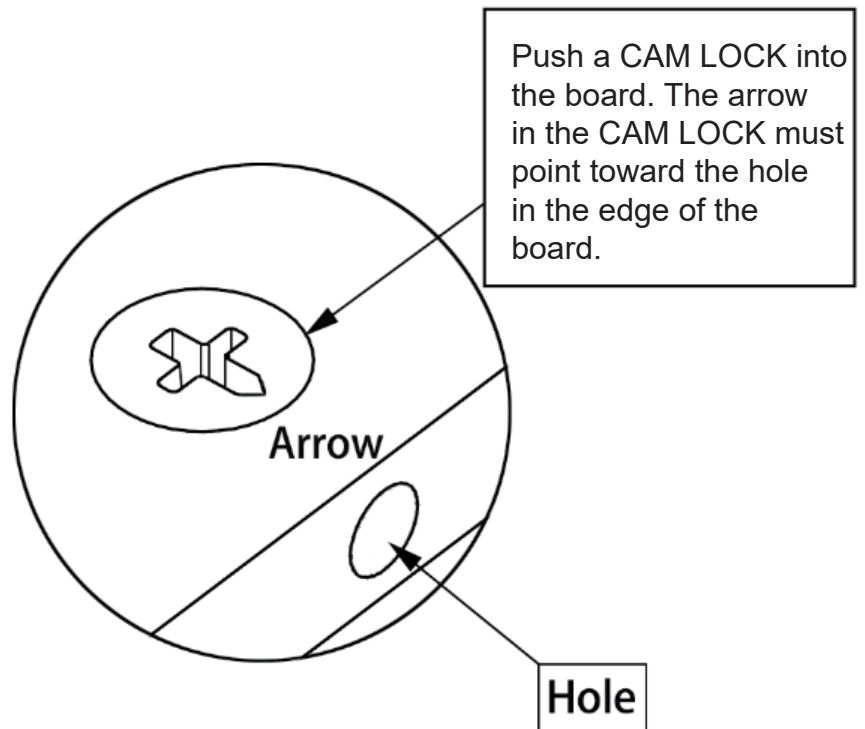
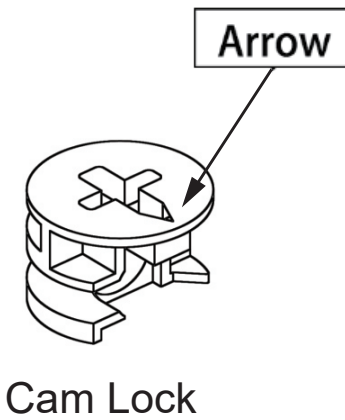


RIGHT

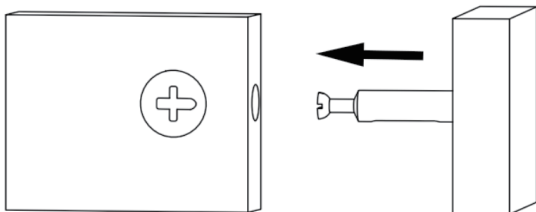


WRONG

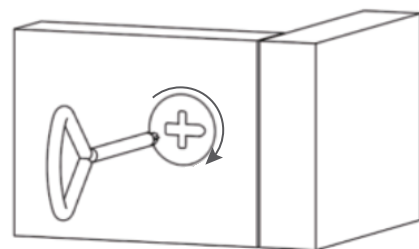
2.



3. Insert the CAM BOLT into the CAM LOCK. Clockwise rotate to tighten the CAM LOCK.



3.1

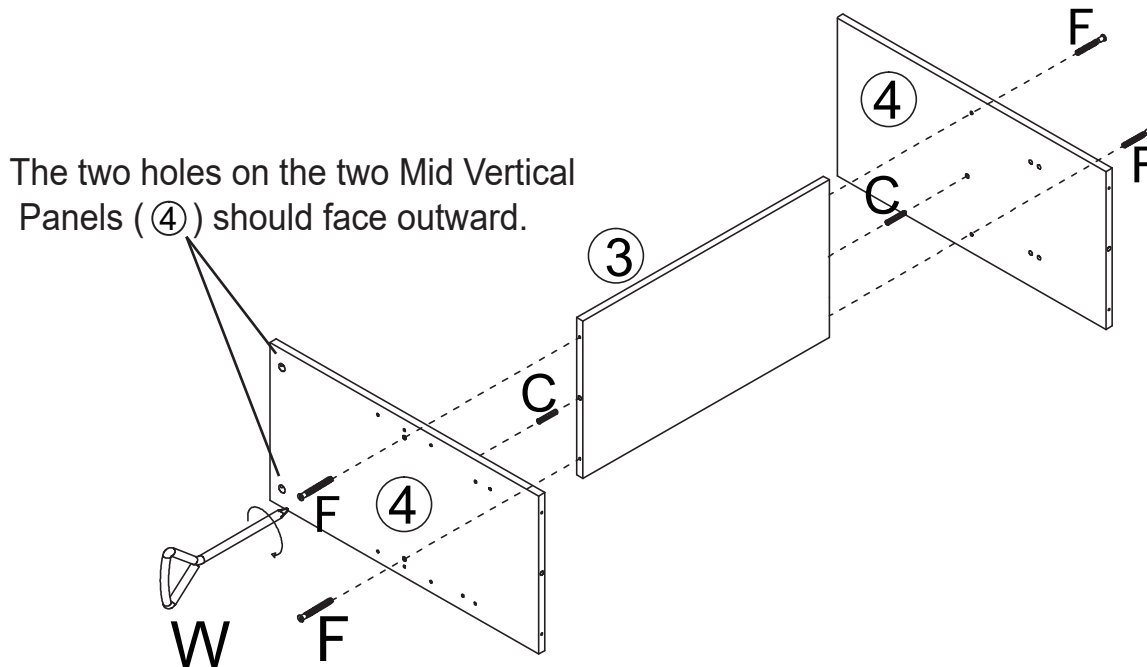


3.2

Step 01

NOTE: DO NOT fully tighten all bolts at this step.
Product support email: jackye@hshfurniture.NET

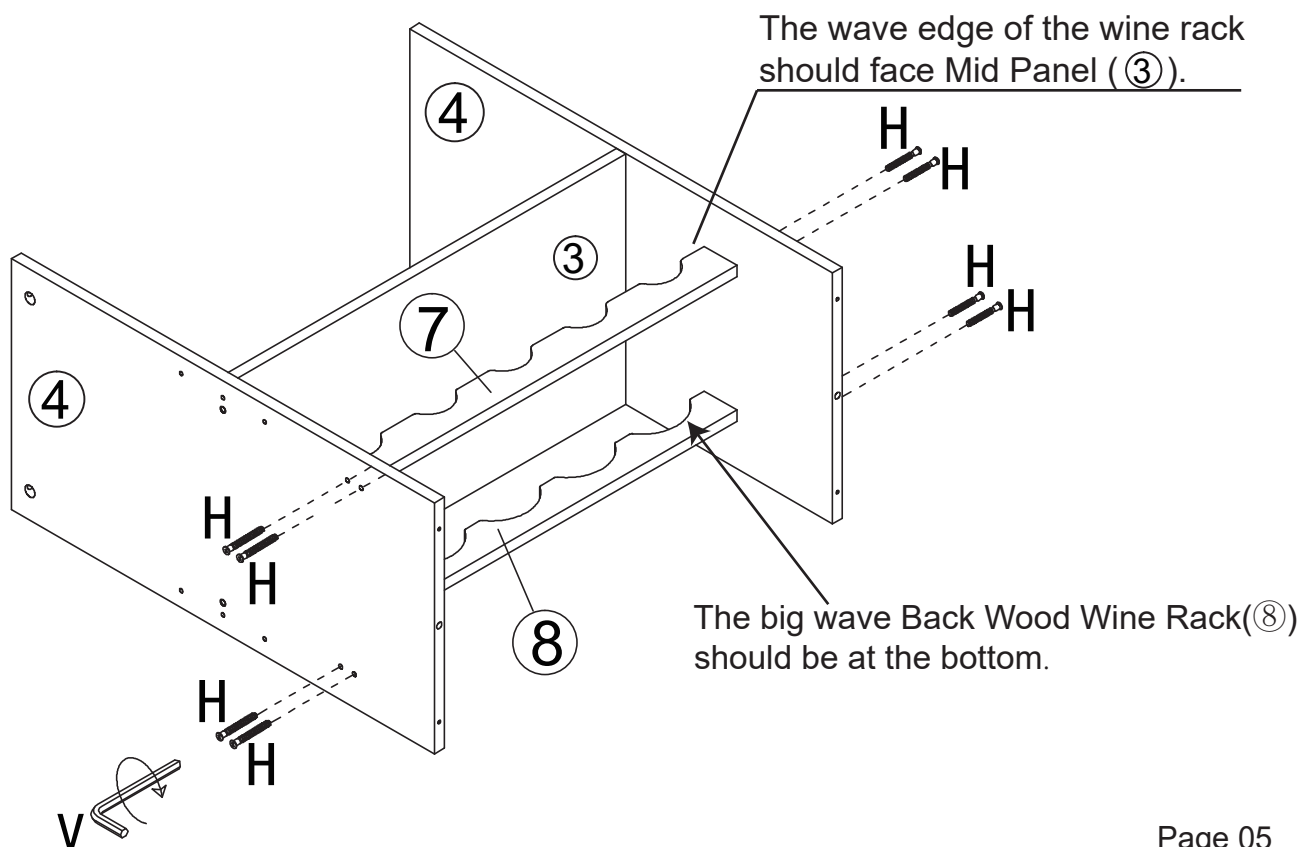
1.1 Insert two Wood Dowels (C) into the hole of Mid Panel (③). And connect two Mid Vertical Panels (④) to Mid Panel (③) with four Medium Flat-Head Bolts (F) by Cross Head Screwdriver (W) as shown. Make sure that the two holes on the two Mid Vertical Panels (④) face outward.



Step 02

NOTE: All bolts must be fully tightened at this step.
Product support email: jackye@hshfurniture.NET

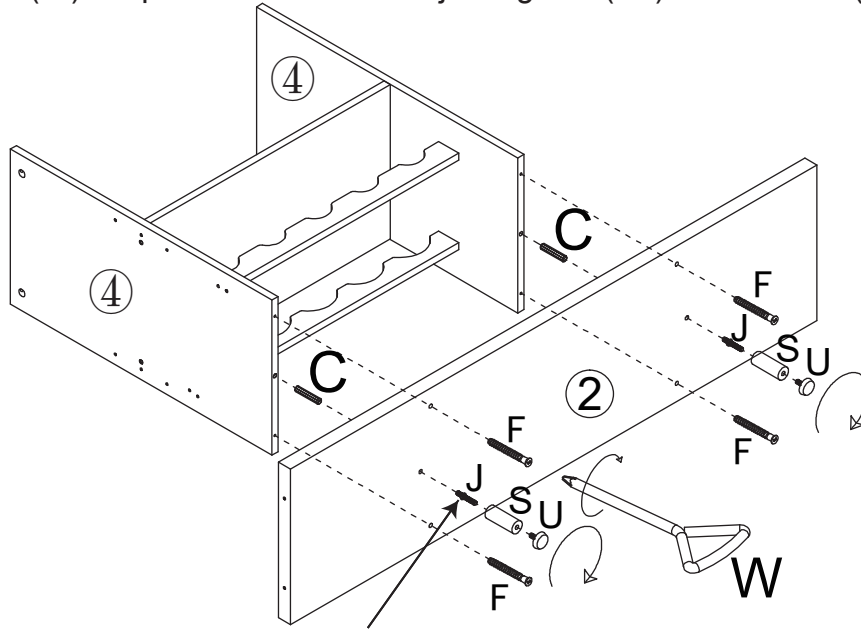
2.1 Align and fasten Front Wood Wine Rack (⑦) and Back Wood Wine Rack (⑧) to two Mid Vertical Panels (④) with the eight Short Flat-Head Bolts (H) by Allen Key (V) as shown. Make sure that the wave edge of the wine rack face Mid Panel (③), and the big wave Back Wood Wine Rack (⑧) is at the bottom.



Step 03

NOTE: DO NOT fully tighten all bolts at this step.

- 3.1 Insert two Wood Dowels (C) into the hole of two Mid Vertical Panels (④). Align and fasten Bottom Panel(②) to two Mid Vertical Panels(④) with four Medium Flat-Head Bolts (F) by Cross Head Screwdriver(W).
- 3.2 Screw and fasten two Double End Studs(J) to Bottom Panel(②). Make sure short end of Double End Studs (J) are screwed into Bottom Panel(②).
- 3.3 Screw and fasten Adjusting Rod(S) to the Double End Studs(J). Then screw and fasten Leveler(U) to Adjusting Rod(S). Repeat it for second Adjusting Rod(S) and Leveler(U) .

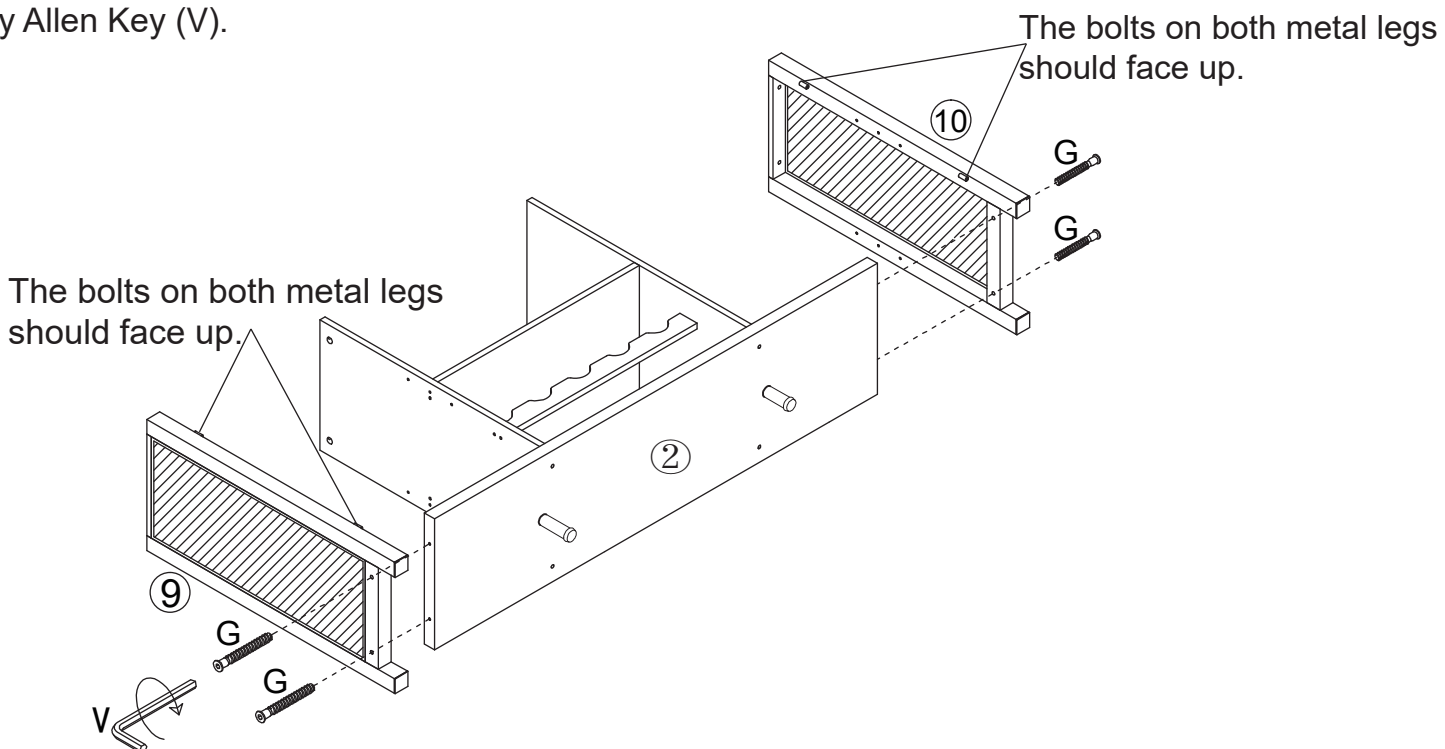


Short end of Double End Studs (J) face the Bottom Panel(②) and are screwed into the Bottom Panel(②).

Step 04

NOTE: DO NOT fully tighten all bolts at this step.

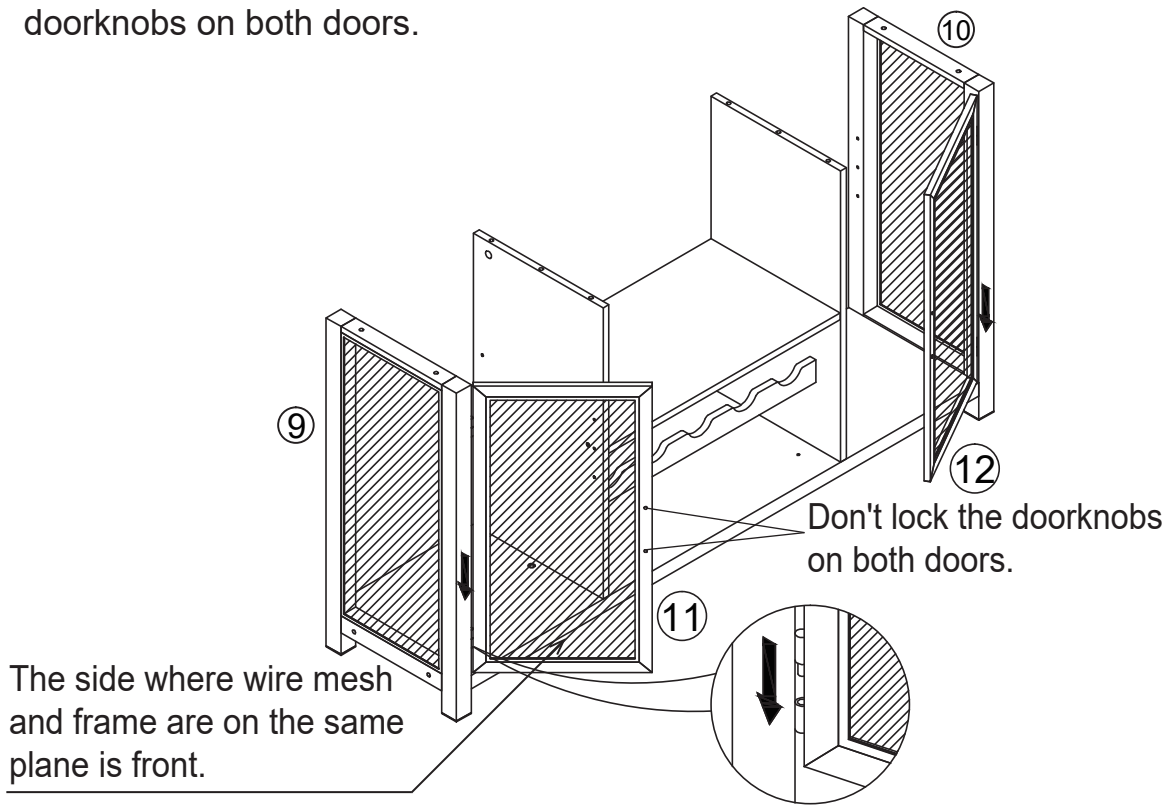
- 4.1 Connect and fasten Right Leg(⑩) to Bottom Panel(②) with two Hex Head Self Tapping Screws(G) by Allen Key (V). Make sure that the bolts on both metal legs should face up.
- 4.2 Connect and fasten Left Leg(⑨) to Bottom Panel(②) with two Hex Head Self Tapping Screws(G) by Allen Key (V).



Step 05

NOTE: DO NOT fully tighten all bolts at this step.
Product support email: jackye@hshfurniture.NET

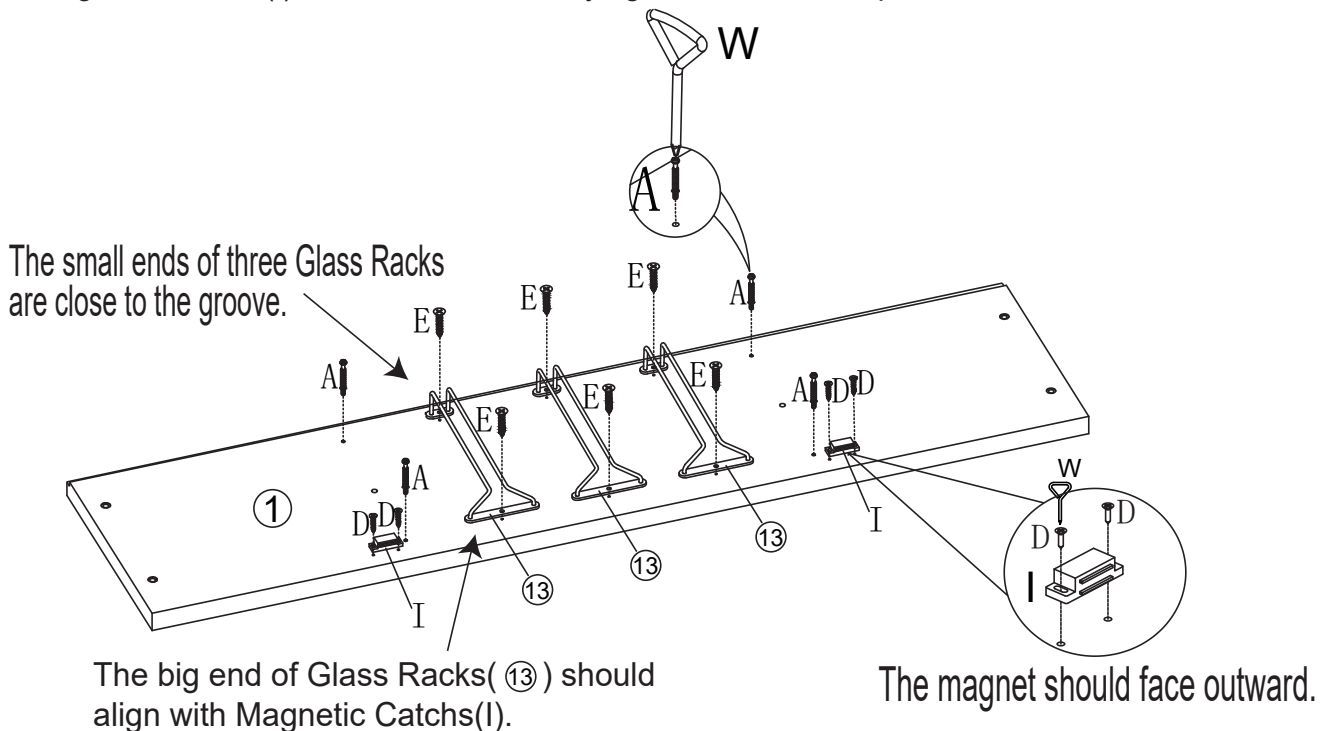
- 5.1 Connect Right Door(12) to Right Leg(10), and connect Left Door(11) to Left Leg(9) as shown. Note that the side where wire mesh and frame are on the same plane is front. Don't lock the doorknobs on both doors.



Step 06

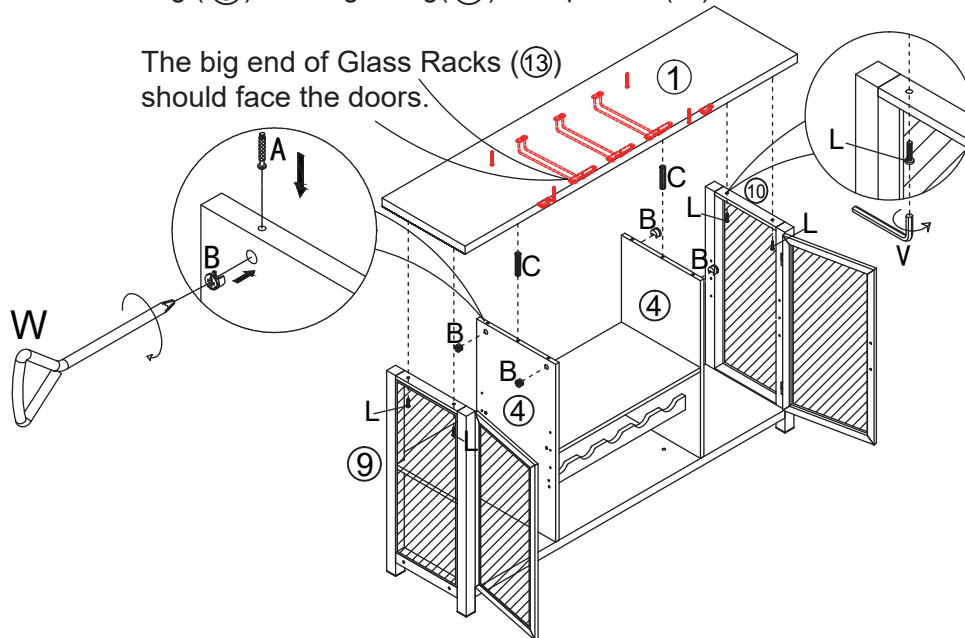
NOTE: All bolts must be fully tightened at this step.

- 6.1 Screw four Cam Bolts (A) into the holes on the Top Panel (1) by Cross Head Screwdriver(W) until the shoulder is against the surface of the board.
- 6.2 Fasten two Magnetic Catches(I) to four pre-drilled holes of the bottom of Top Panel(1), and make sure all the magnet of two Magnetic Catches(I) face outward. Fix three Glass Racks(13) to six pre-drilled location holes of the bottom of Top Panel(1) with six Short Screws(E), make sure that the big end of Glass Racks(13) aligns with Magnetic Catches(I). All bolts must be fully tightened at this step.



Step 07

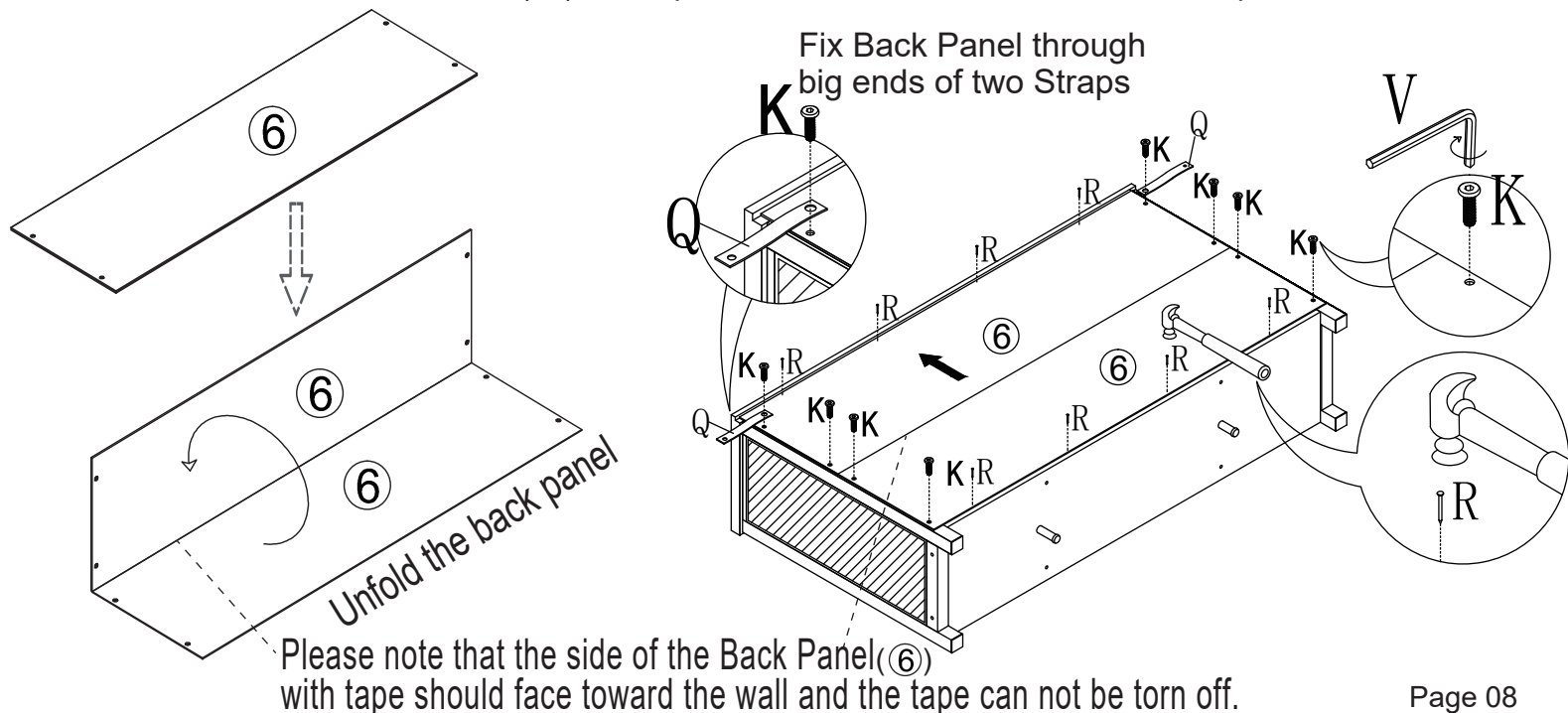
- 7.1 Insert two Wood Dowels (C) into the hole of Mid Vertical Panels(4). Align and fasten Top Panel (1) to Mid Vertical Panels(4) and two Metal Legs(9)(10). Insert four Cam Locks(B) into Mid Vertical Panels(4), make sure the arrow on Cam Lock(B) points to Cam Bolts(A), and tightly fasten them by Cross Head Screwdriver(W).
- 7.2 Move the top of Left Leg (9) and Right Leg(10) to align with the two pre-drilled holes on both sides of Top Panel(1). Then fasten Left Leg (9) and Right Leg(10) to Top Panel(1) with four Medium Bolts(L) by Allen Key(V).



Step 08

NOTE: If holes don't align, loosen all bolts and adjust the holes slightly. After all holes are aligned, tighten all bolts .

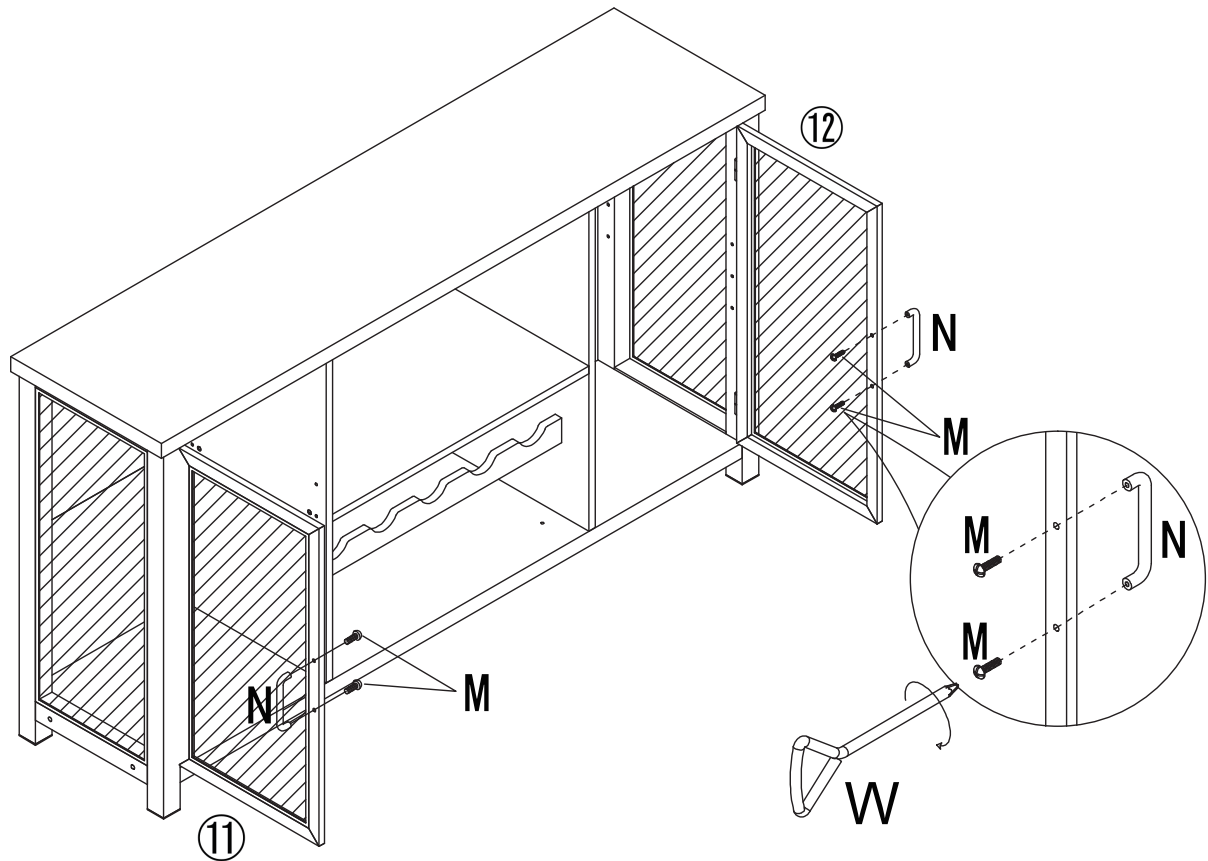
- 8.1 Take out and unfold the Back Panel(6). Please note that the two Back Panels (6) are overlapped in the package. Insert Upper Back Panel(6) to Top Panel (1) through the groove.
- 8.2 Align and fix the top of Back Panel(6) to Metal Legs(9)(10) with two Short Bolts(K) through big ends of two Straps (Q) by Allen Key(V). Then align and fix two Back Panels(6) to Metal Legs(9)(10) with six Short Bolts(K) by Allen Key(V).
- 8.3 Hammer four Nails(R) into Back Panels(6) and Bottom Panel(2).
- 8.4 If holes don't align, loosen all bolts and adjust the holes slightly. After all holes are aligned, tighten all bolts.
- NOTE: the side of the Back Panel(6) with tape should face toward the wall and the tape can not be torn off.



Step 09

NOTE: All bolts must be fully tightened at this step.

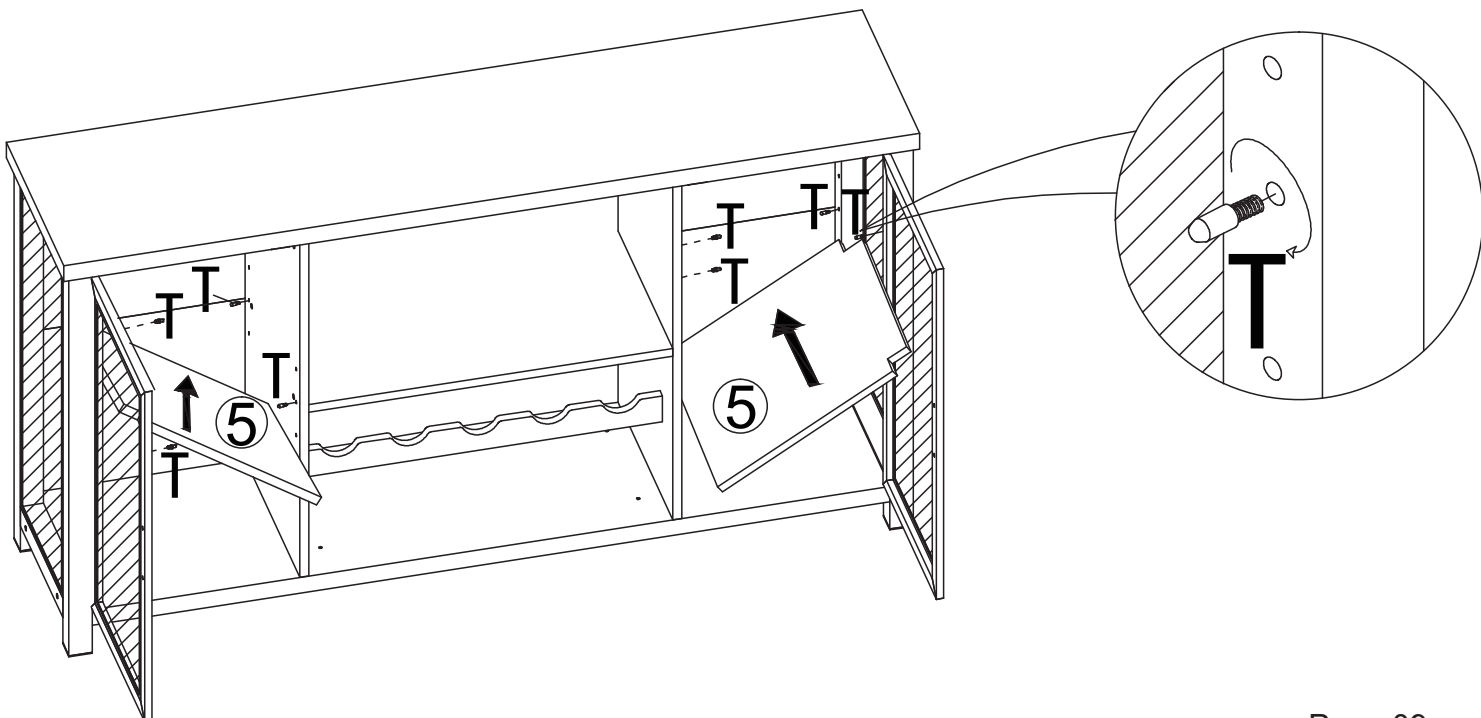
- 9.1 Align and fasten one Doorknob(N) to Right Door(12) with two Small Bolts(M) by Cross Head Screwdriver(W). Repeat it for the Left Door (11).



Step 10

NOTE: All bolts must be fully tightened at this step.

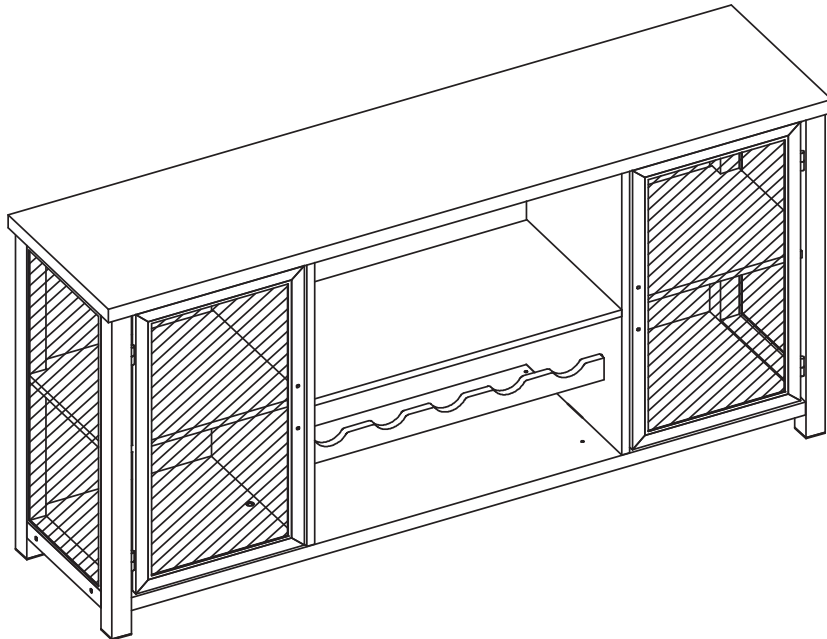
- 10.1 Adjust and screw eight Pins with Thread (T) for your desired height. Then install Side Panels(5) between Left Leg(9) and Mid Vertical Panel(4), and install the other Side Panel(5) between Mid Vertical Panel(4) and Right Leg(10).



Step 11

If the foot is uneven, loosen all screws slightly, especially the screws on the metal legs, top panel and back panel, the bar cabinet will automatically correct.

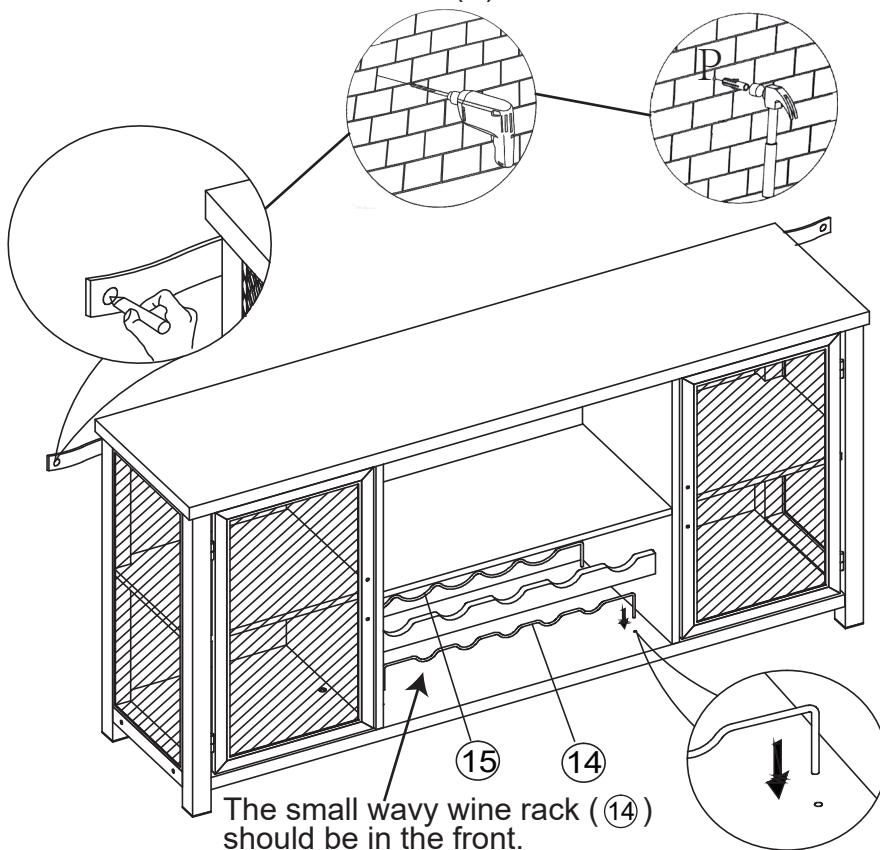
- 11.1 If the foot is uneven, loosen all screws slightly, especially the screws on the metal legs, top panel and back panel, the bar cabinet will automatically correct, and then fully tighten all screws.
- 11.2 Adjust Levelers(U) as needed for uneven flooring.
- 11.3 If necessary, stick EVA pad(X) to the plastic plug under metal leg for rough floor.



Step 12

NOTE: All bolts must be fully tightened at this step.

- 12.1 Insert Front Wine Rack(14) and Back Wine Rack(15) to four pre-drilled holes of Bottom Panel(2).
NOTE: Front Wine Rack(14) with smaller radian must be placed on the front side, and Back Wine Rack(15) with larger radian must be placed on the back side.
- 12.2 To prevent injury and property damage from unexpected tipping of furniture, we highly recommend installation of the anti-tip kit included with this product. Drill holes at marked spot with a drill bit. And then carefully hammer in two Plastic Anchors(P).



Step 13

13.1 Attached the Left Leg(9) and the Right Leg(10) into the holes with two Medium Screws(O) by Cross Head Screwdriver(W).

