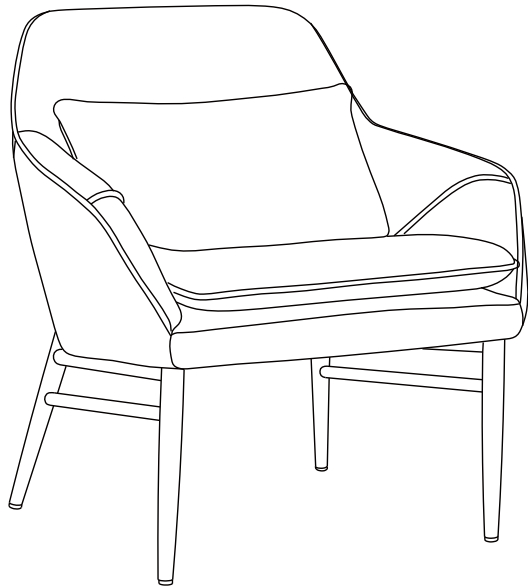
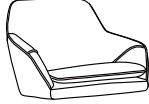


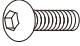


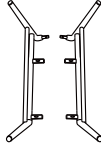
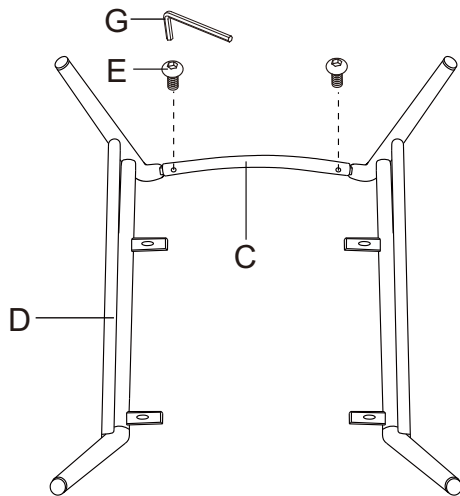


# ASSEMBLY INSTRUCTIONS

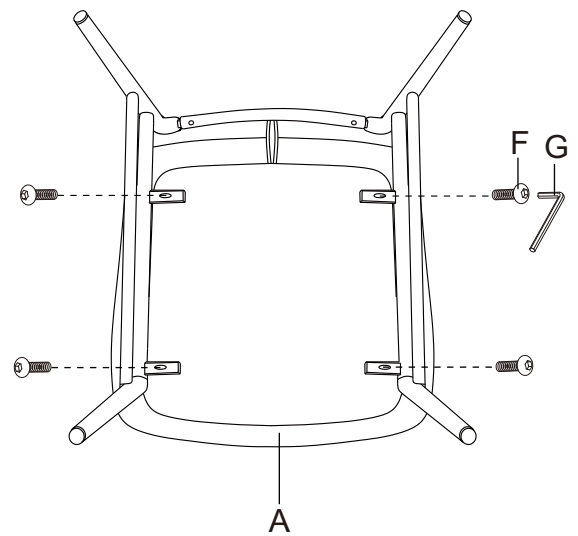


Ax1 	Ex2 
Bx1 	Fx4 
Cx2 	Gx1 
Dx2 	

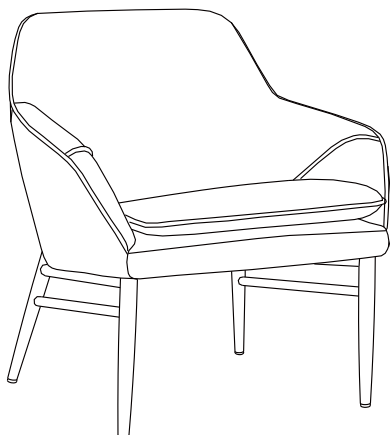
1



2



3



4

