

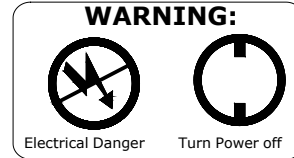
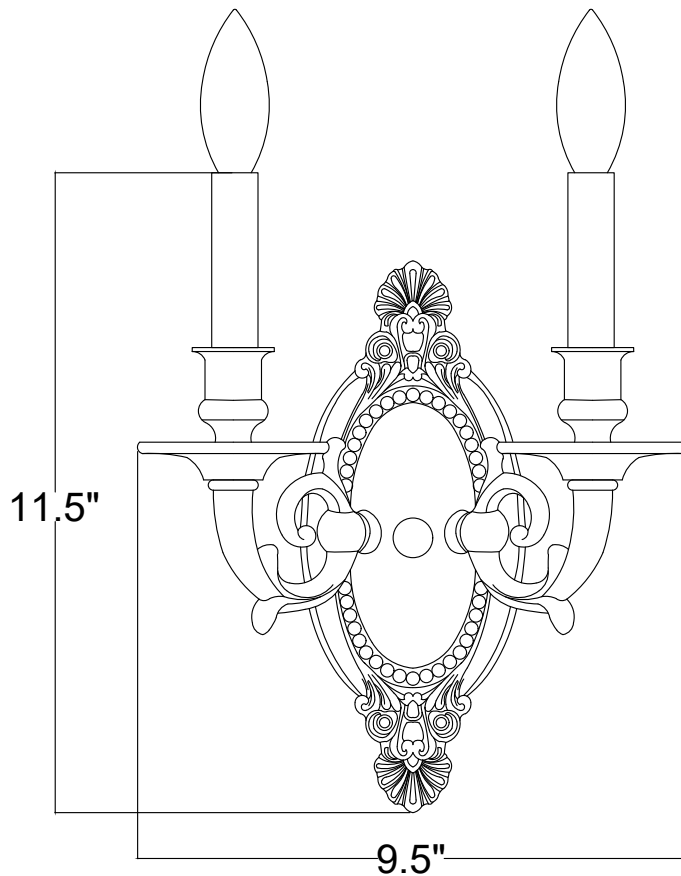
CRYSTORAMA



Crystorama.com

LIGHTING THE WAY FOR SIXTY YEARS

ASSEMBLY INSTRUCTION MODEL #622-AG



All electrical components must be installed by a licensed electrician in accordance with the National Electric Code and the appropriate local electrical codes.

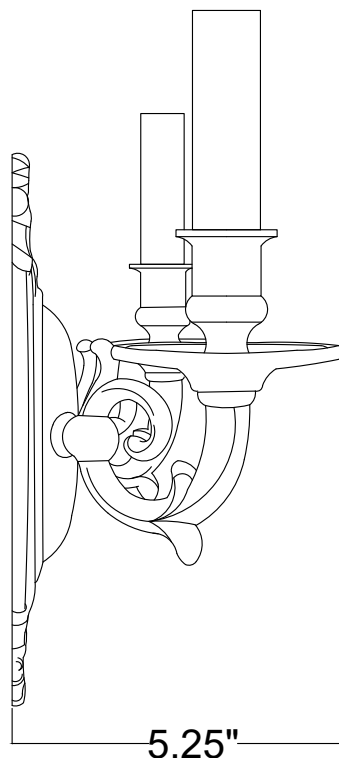


You will need 2- Candleabra Base Bulb
40 Watts Recommended 60 Watts Max.
USE LED BULBS FOR EXTENDED USE
This fixture is Damp rated.

How to install:

Place the fixture parts on a soft cloth-covered platform before installation of fixture.

1. Install the mounting bar onto the outlet box.
2. Install the lamp body over the mounting bar and secure with the finial.
3. Install the bulb (not included) into the socket.



WARNING: This product can expose you to Lead, which is known to the state of California to cause cancer and/or birth defects or reproductive harm. For more information go to www.P65Warnings.ca.gov



Part Number

Part Number

A.(1)-Mounting hardware
Wire Connector ×2.
Mounting bar ×1.
Machine Screw ×2.
Nut x1.
Threaded nipple x1.

B.(1)-Lamp body kit
Backplate; W4 1/4", H10 1/4"
-XSN622AGBKP4.25IN
PVC candle sleeve ; Ø7/8", H3 1/8" x2.
-XSN621WHCDL3.125IN
Metal cup x2.
Bobeche; Ø3 3/8" x2.
Arm; L3 1/2" x2.

C.(1)-Finial-XSN622AGFINIAL

