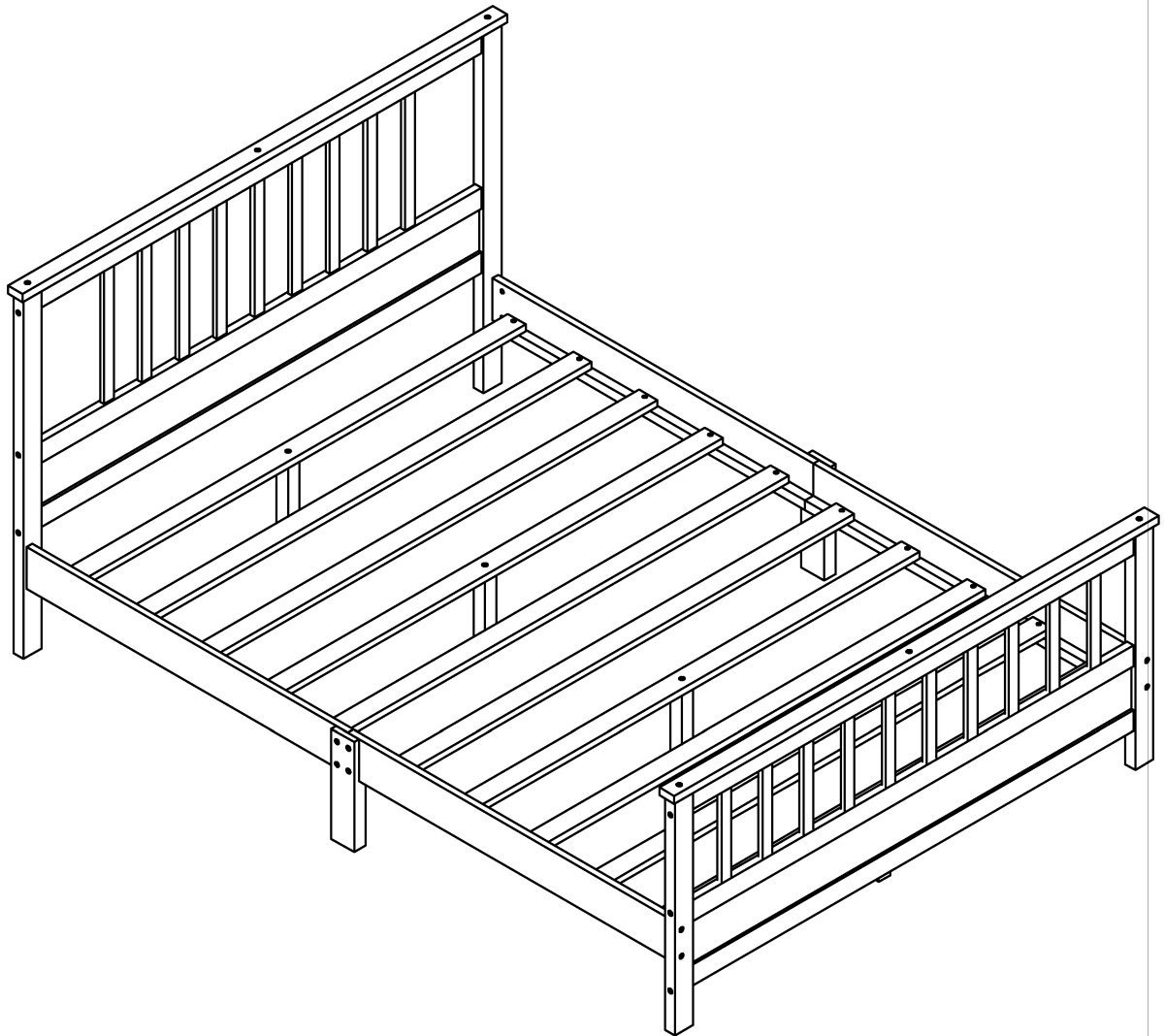
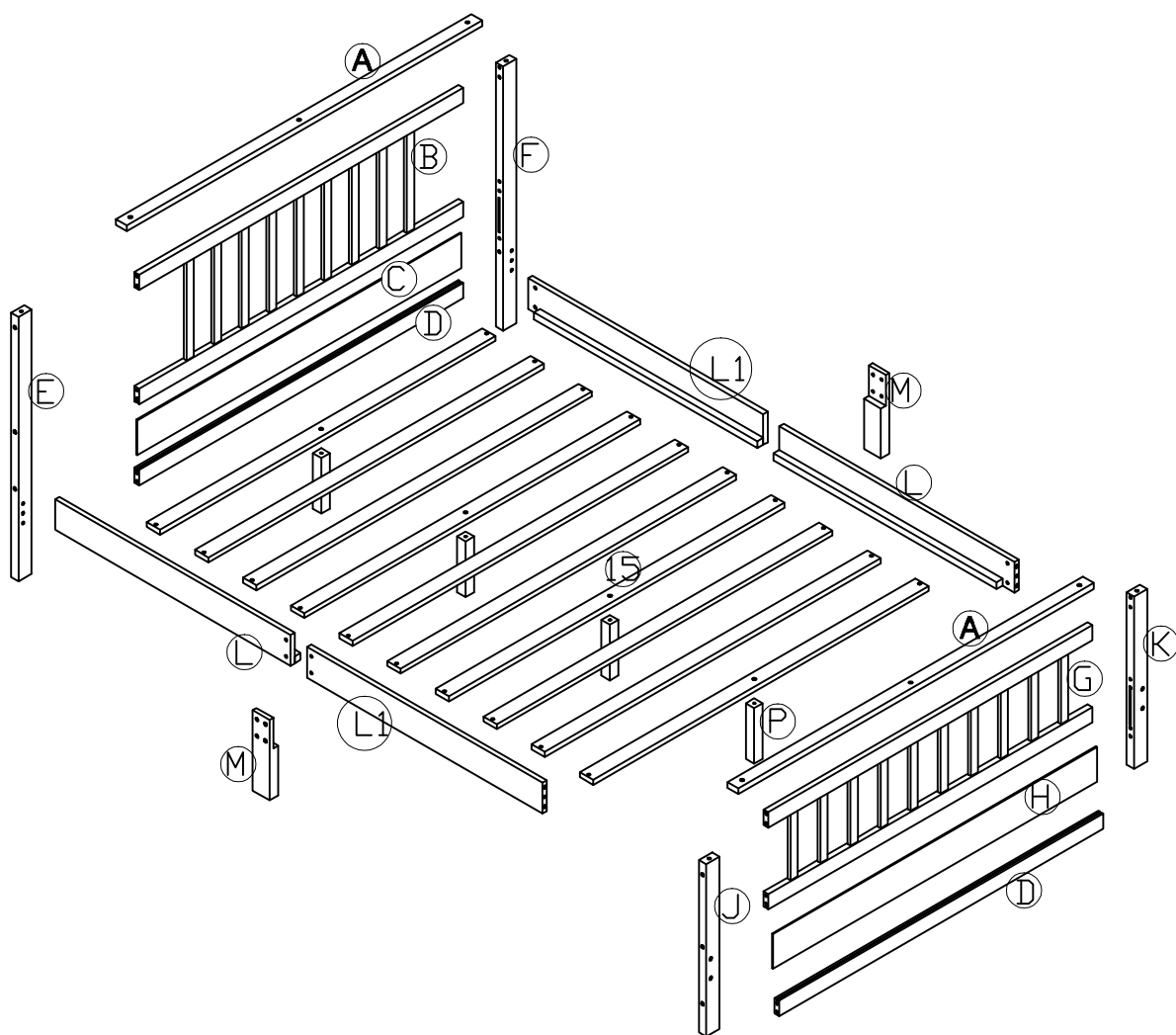


ASSEMBLY INSTRUCTIONS

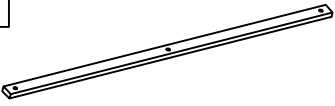
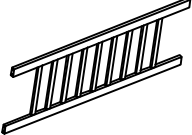
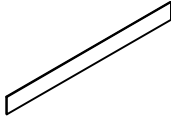

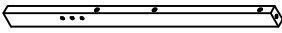

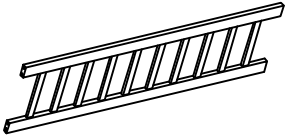

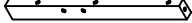
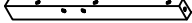
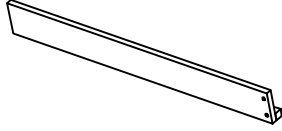

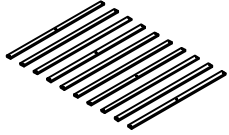

FULL BED KWF192974



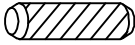



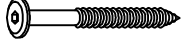



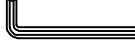

Detail View



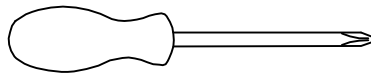
Part List

<p>A</p> 	<p>B</p> 	<p>C</p> 
<p>Horizontal bar - 2pcs</p>	<p>Headboard frame - 1pc</p>	<p>Headboard panel - 1pc</p>
<p>D</p> 	<p>E</p> 	<p>F</p> 
<p>Headboard bottom rail-2pc</p>	<p>Headboard Leg(Left) - 1pc</p>	<p>Headboard Leg(Right) - 1pc</p>
<p>G</p> 	<p>H</p> 	
<p>Footboard Frame - 1pc</p>	<p>Footboard panel - 1pc</p>	<p>Footboard bottom rail - 1pc</p>
<p>J</p> 	<p>K</p> 	<p>L</p> 
<p>Footboard leg (Left) - 1pc</p>	<p>Footboard leg (Right) - 1pc</p>	<p>Side rail -4pcs</p>
<p>M</p> 	<p>16</p> 	<p>P</p> 
<p>Center rail Leg -2pcs</p>	<p>Slats -10pcs</p>	<p>Center support leg - 4pcs</p>

Hardware List

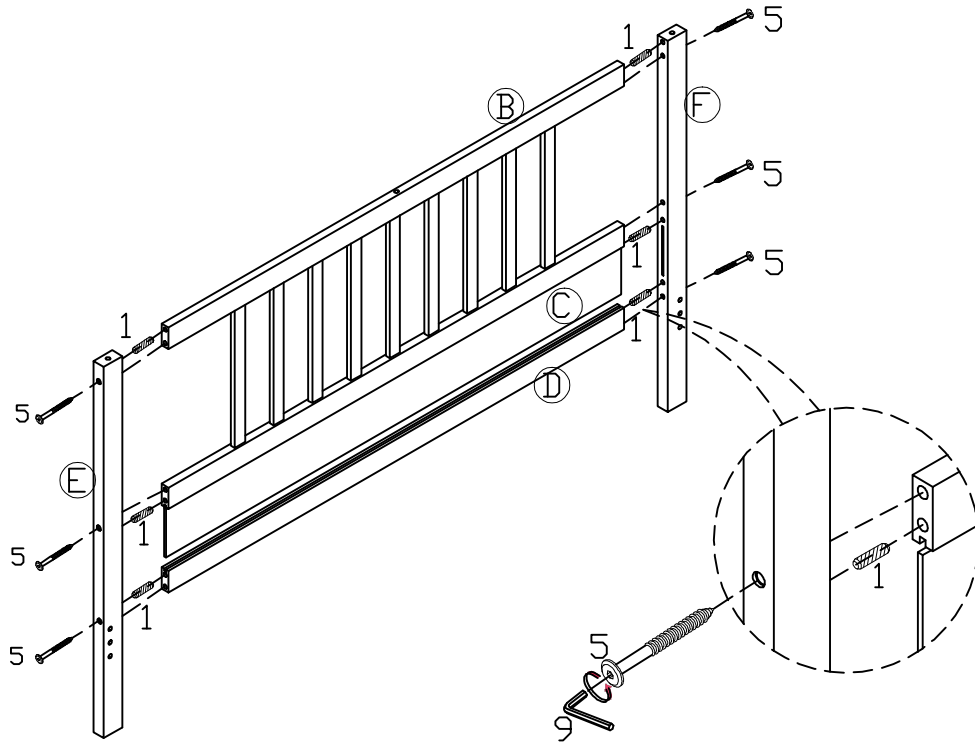
<p>1</p>  <p>∅10 × 30mm</p>	<p>2</p>  <p>(∅15)1/4" × 85mm</p>	<p>3</p>  <p>(∅15)1/4" × 25mm</p>
<p>Wood dowel (18pcs)</p>	<p>Hex-Head bolts (8pcs)</p>	<p>Hex-Head bolts (8pcs)</p>
<p>4</p>  <p>∅1/4" × 50mm</p>	<p>5</p>  <p>∅1/4" × 110mm</p>	<p>6</p>  <p>∅1/4"mm</p>
<p>Hex-Head bolts (6pcs)</p>	<p>Hex-Head bolts (12pcs)</p>	<p>Flats washer (8pcs)</p>
<p>7</p>  <p>1/4"×15 (9.5mm)</p>	<p>8</p>  <p>∅4*30mm</p>	<p>9</p>  <p>(1/4")4.5*58mm</p>
<p>Horizontal-Hole bolts(8pcs)</p>	<p>Wood screws (20pcs)</p>	<p>Allen key (1pcs)</p>
<p>10</p>  <p>(∅15)1/4" × 35mm</p>		
<p>Hex-Head bolts (4pcs)</p>		

ASSEMBLY TOOLS REQUIRED (NOT INCLUDED)

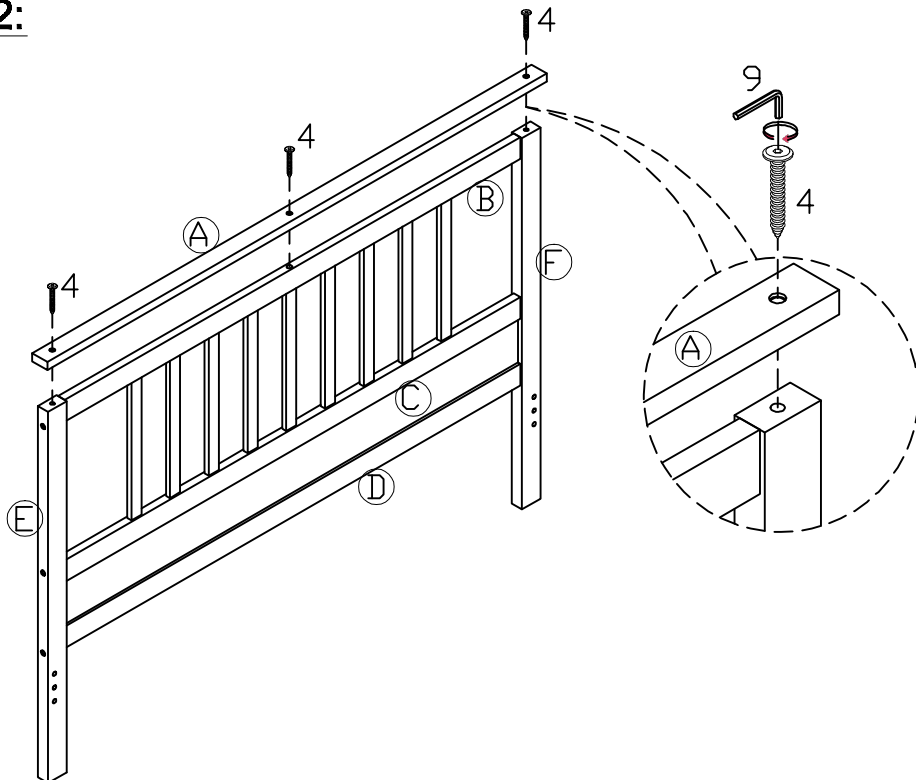


PLEASE BE CAREFUL DO NOT DAMAGE THE HOLE POSITION WHEN YOU USE POWER TOOLS !

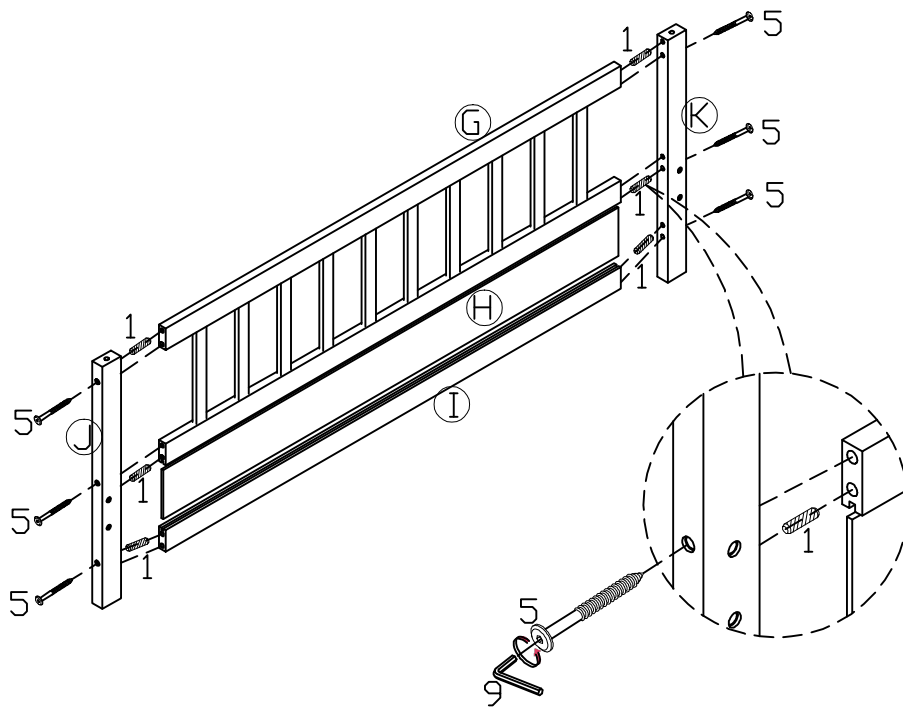
STEP 1:



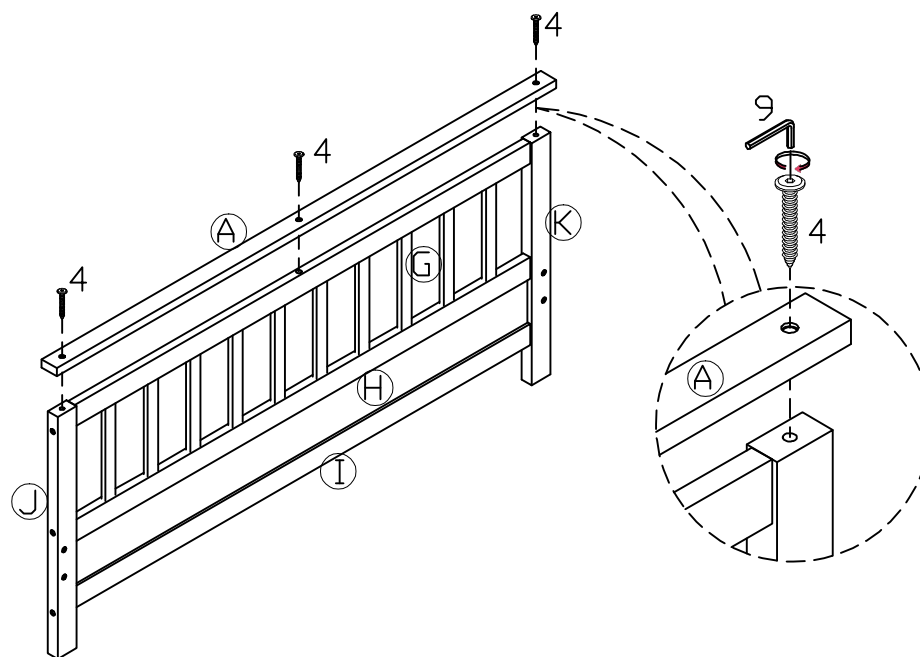
STEP 2:



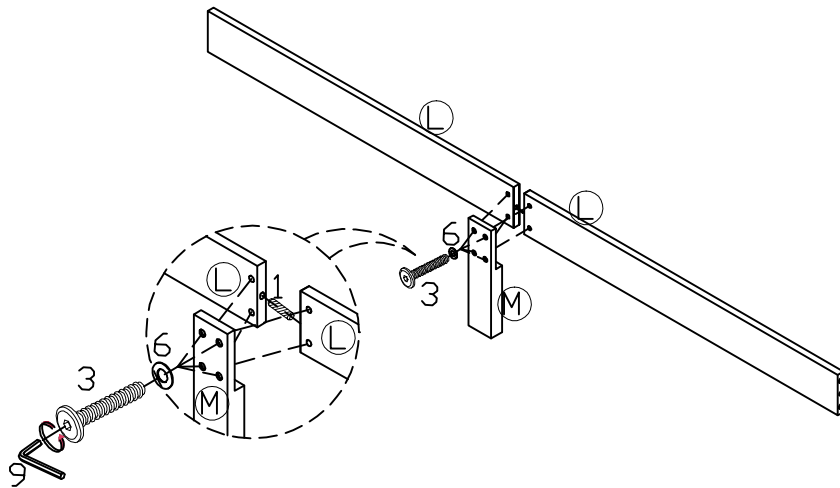
STEP 3:



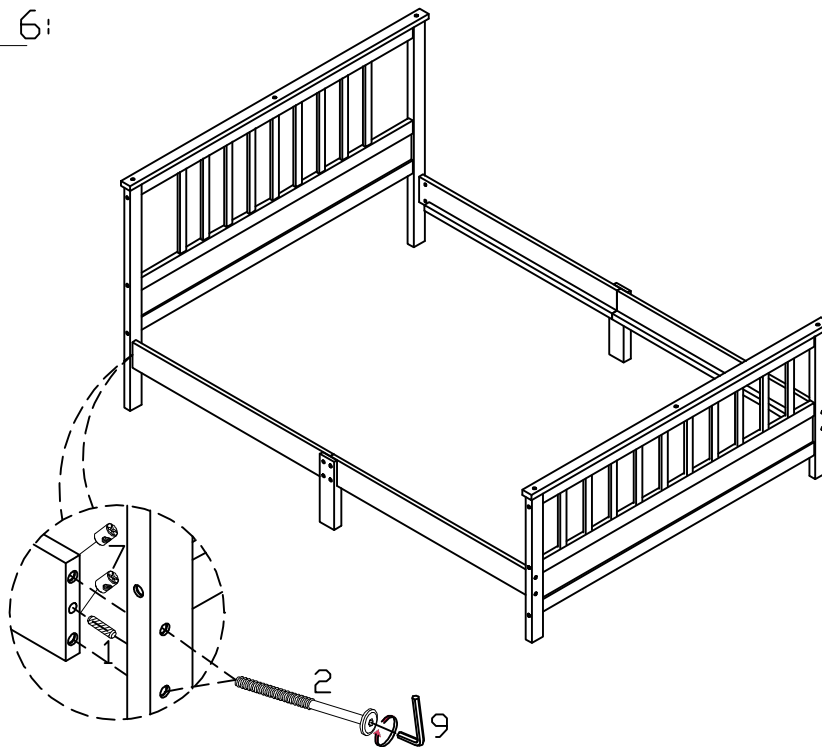
STEP 4:



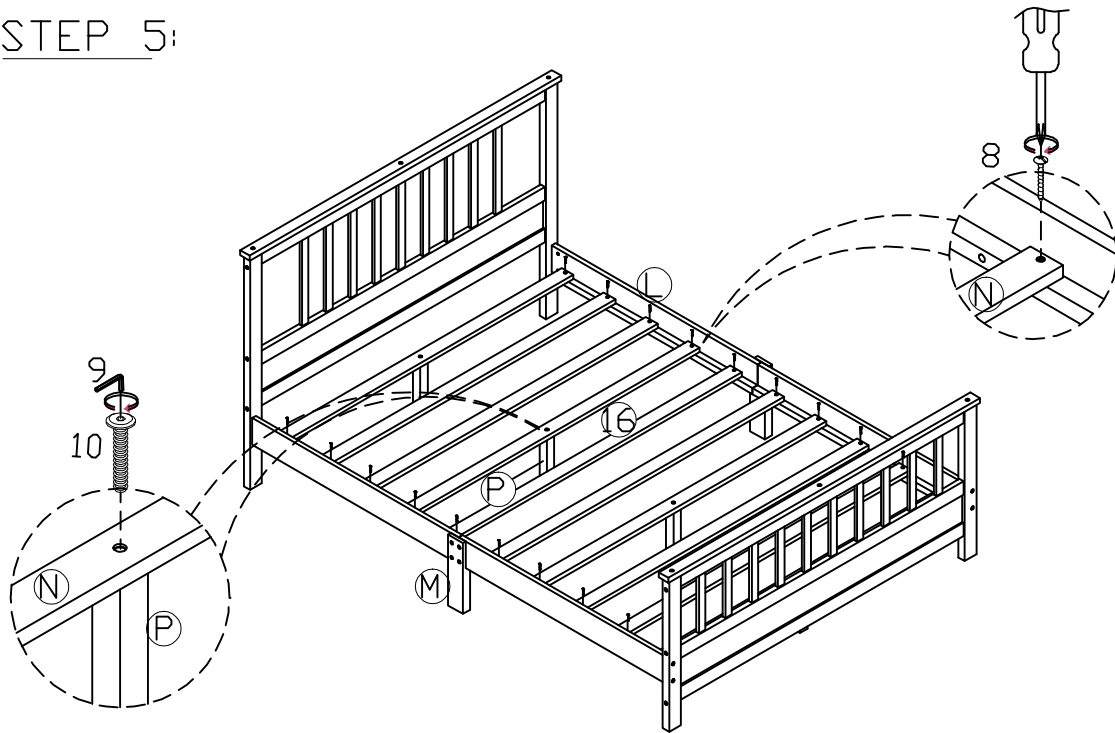
STEP 5:



STEP 6:



STEP 5:



STEP 6:

