

# Assembly Instructions

Before beginning the assembly process, please read and save these instructions for reference. Following these guidelines will ensure a smooth and successful assembly of your product.

## 1. Part Identification:

Carefully separate and identify all the parts included in your package. Confirm that you have all the components listed in the instruction manual. This step will help you avoid any missing or misplaced parts during assembly.

## 2. Work Surface:

To prevent any scratches or damage to the product, assemble it on a soft mat or a similar protective surface. This will provide a cushioned area for the components and protect the surfaces from unwanted marks.

## 3. Step-by-Step Assembly:

Follow the assembly instructions provided, proceeding one step at a time. Take care to understand each step properly before proceeding to the next one. This sequential approach ensures that the assembly is done correctly and minimizes the chance of errors.

## 4. Proper Screw Seating:

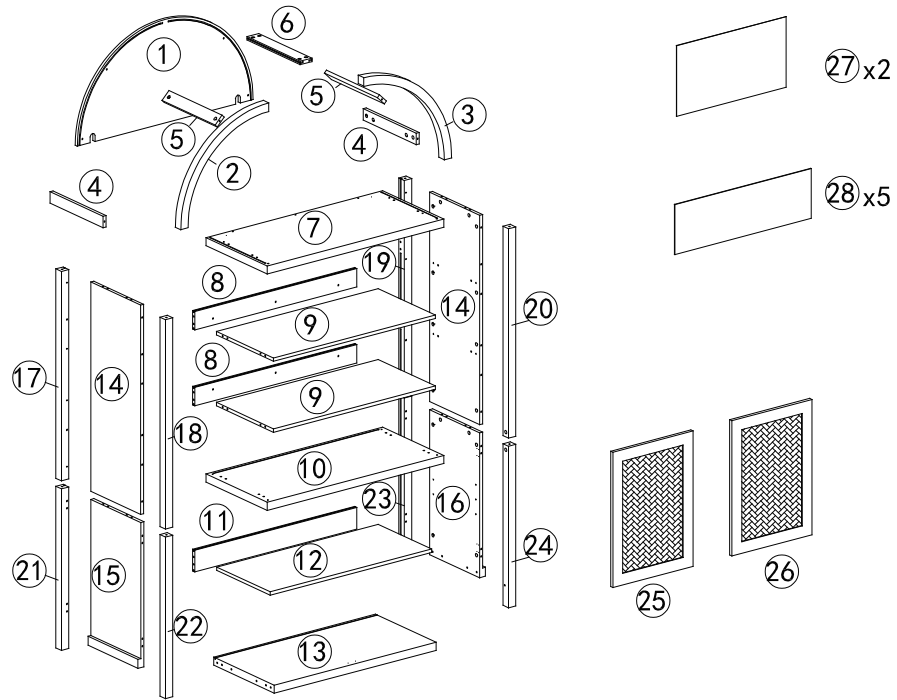
When attaching screws and nuts, it is essential not to fully tighten them until all screws are correctly seated. By partially tightening each screw and nut initially, you can ensure that they are aligned properly and fit securely before final tightening.

## 5. Avoid Over-Tightening:



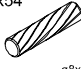
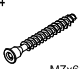








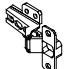


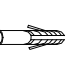
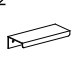




While each screw and nut should be tightened correctly, it is crucial not to over-tighten them. Over-tightening can cause damage to the product or compromise its structural integrity. Use the appropriate amount of force to secure the components without excessive tightening.

If you encounter any questions or problems during the assembly process, please do not hesitate to contact us. We strive to provide excellent customer support and will respond to your inquiries within 24 hours. Our team will offer you a suitable solution to address any concerns you may have.

# Parts List



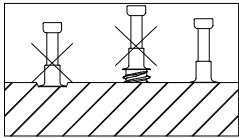
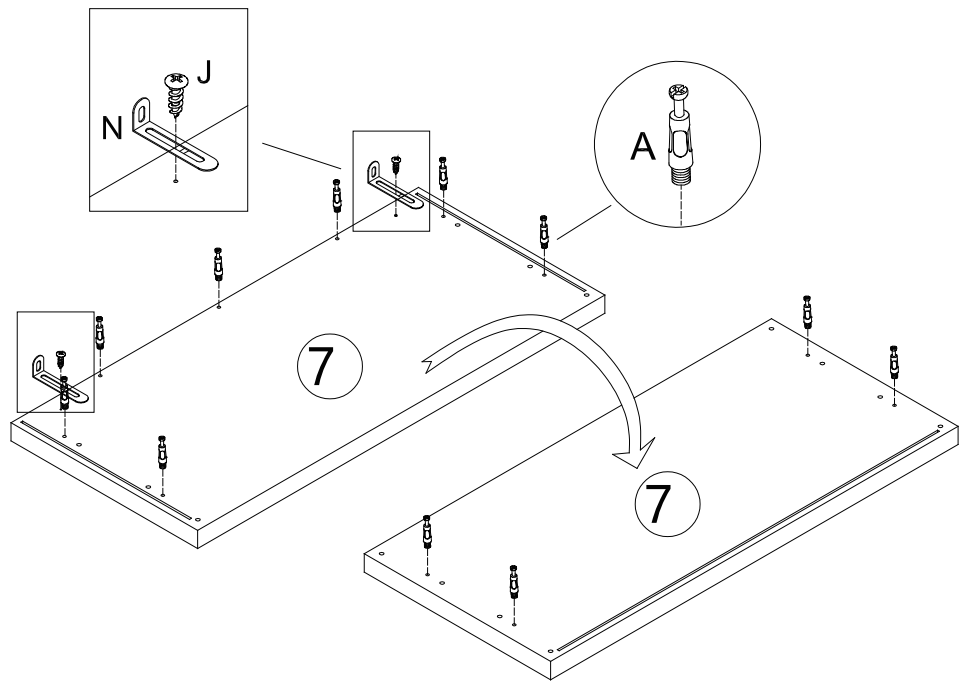
# Hardware List

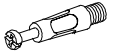
Ax87  M6x32mm	Bx87  ø15x10mm	Cx54  ø8x30mm	Dx4  M7x68mm	Ex2 	Fx4 	Gx24  ø4x14	Hx32  ø3x14
Ix4 	Jx2  ø4x14	Kx20 	Lx4  M6x(ø30)x15	Mx4 	Nx2 	Ox2  ø4x35	Px2 
Qx2 	Rx4  ø3x16	Sx1  M4	Tx44 	Ux2  M7x48mm			

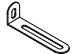
Code	Description	Quantity
A	M6x32mm Cam bolt	87+4
B	ø15x10mm Cam lock	87+4
C	ø8x30mm Wood dowel	54+4
D	M7x68 Broken tail screw	4+1
E	Door stopper	2
F	Door stopper	4+1
G	ø4x14 self-tapping screw	24+2
H	ø3x14 self-tapping screw	32+2
I	Movable Shelf	4+1
J	ø4x14 self-tapping screw	2+1
K	Backboard clip	20+2

Code	Description	Quantity
L	M6x(ø30)x20 Adjustable foot	4+1
M	Hinges	4
N	Lock wall accessories	2
O	ø4x35 self-tapping screw	2
P	Plastic expansion screw	2
Q	Hold hand	2
R	ø3x16 self-tapping screw	4+2
S	Hexagon socket wrench	1
T	Ø20 Hole stickers	44+4
U	M7x48 Broken tail screw	2+1

# Step 1

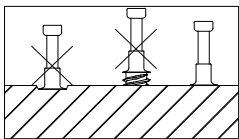
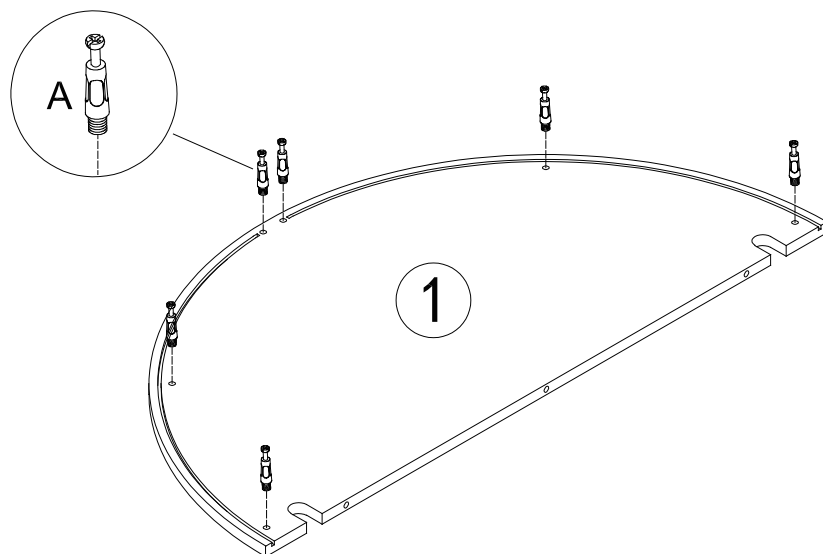


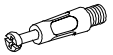
A  x 11

N  x 2

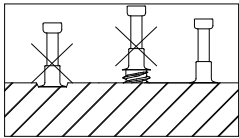
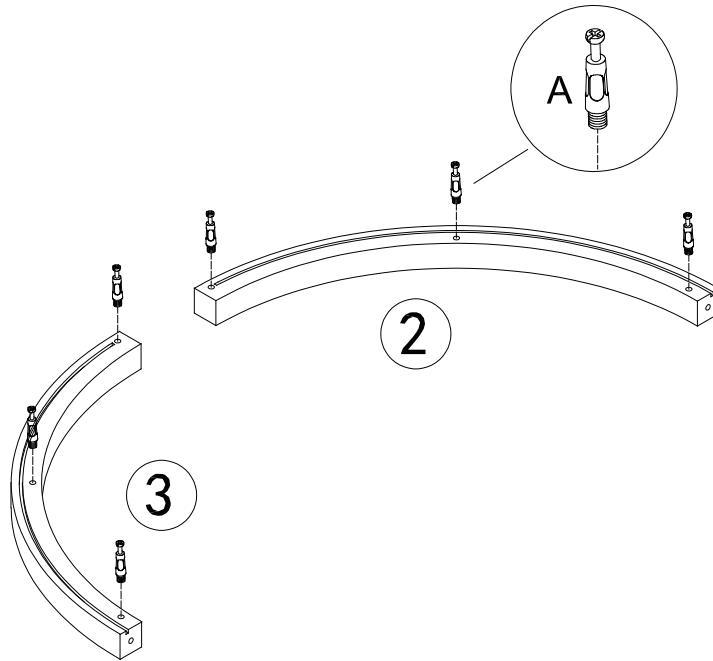
J  x 2

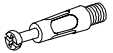
# Step 2



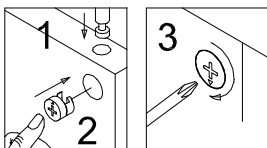
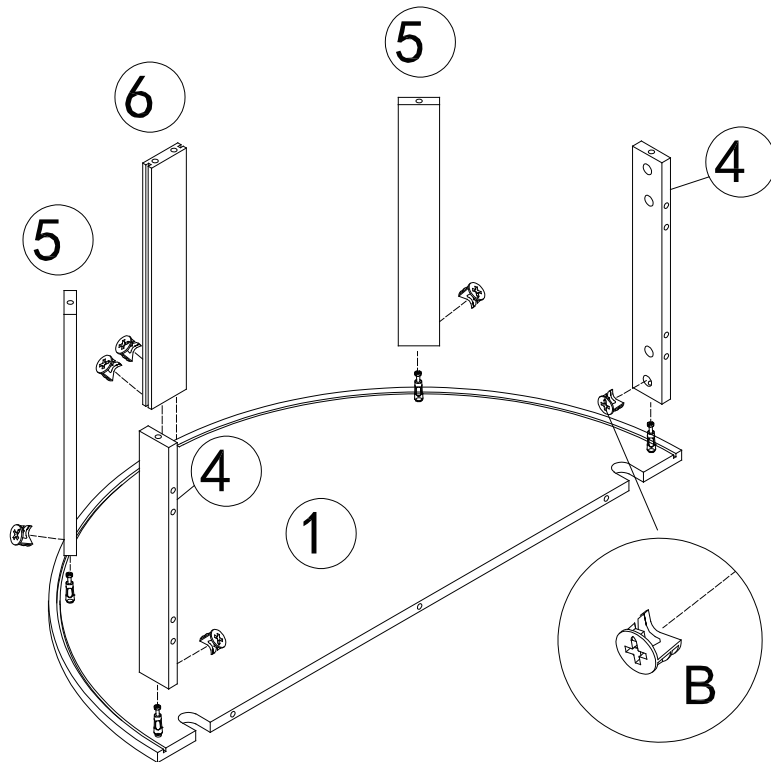
A  x 6

# Step 3



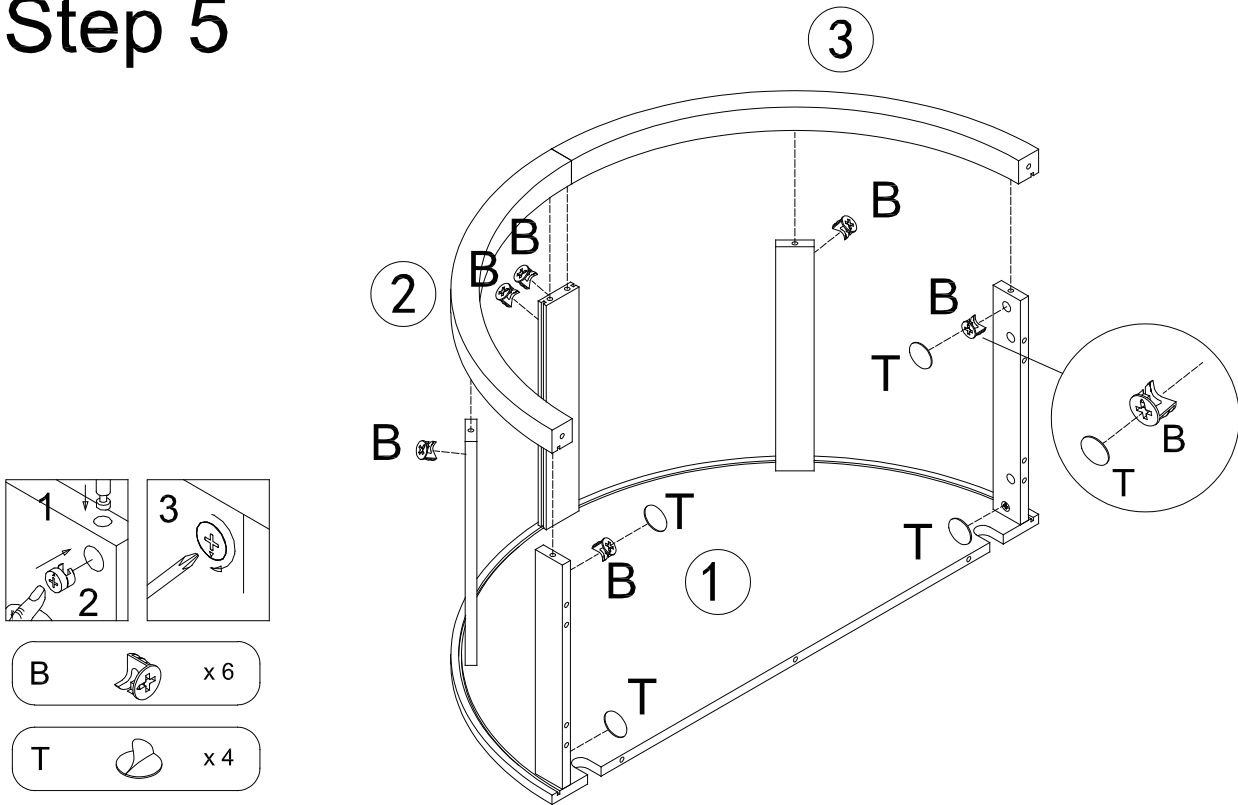
A  x 6

# Step 4

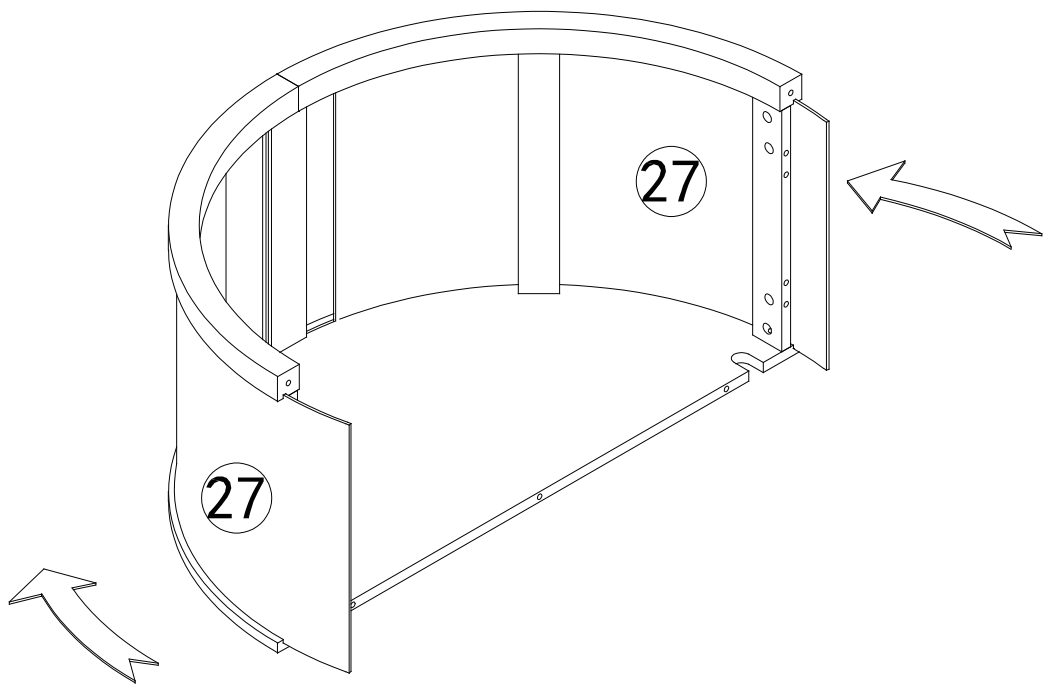


B  x 6

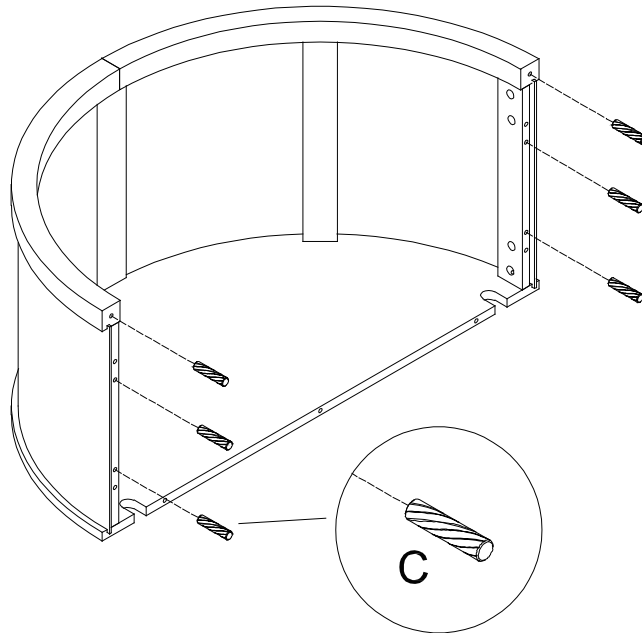
# Step 5



# Step 6

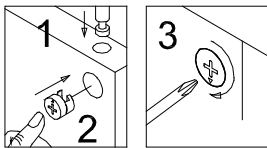
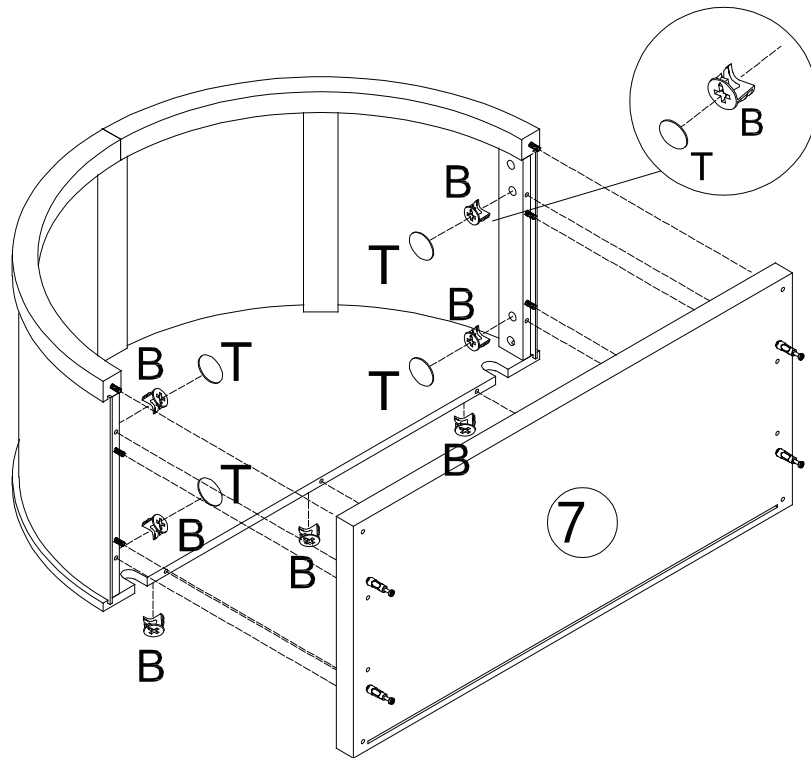


# Step 7



C  x 6

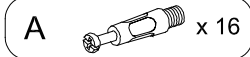
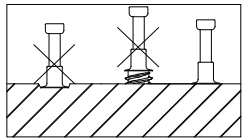
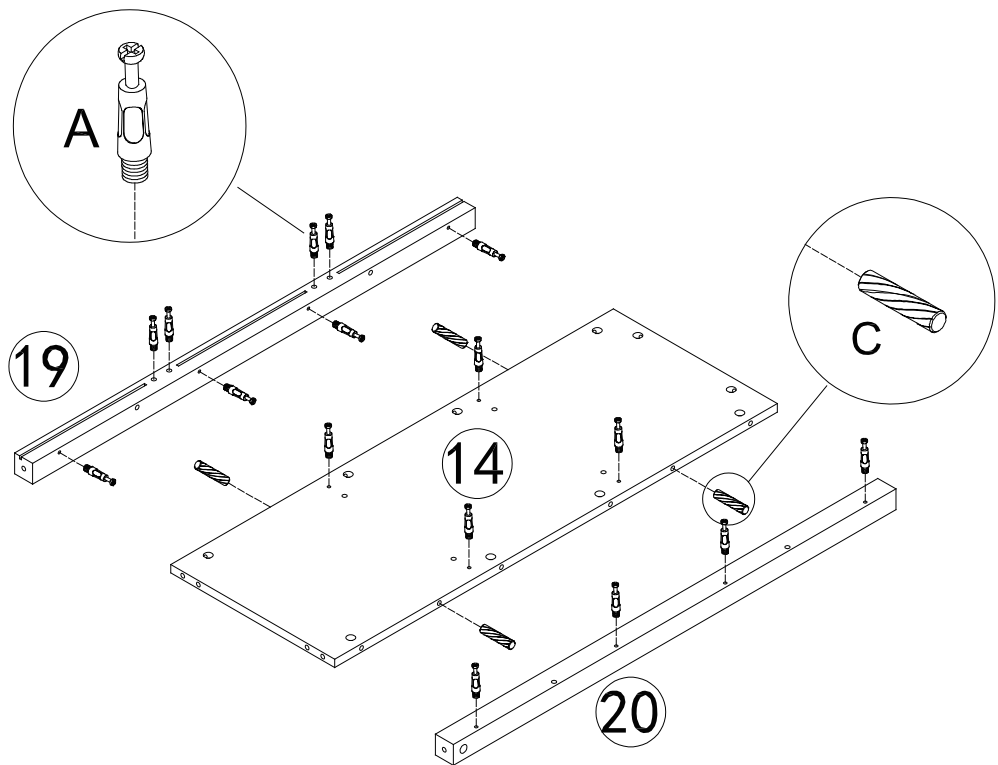
# Step 8



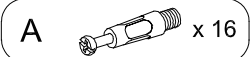
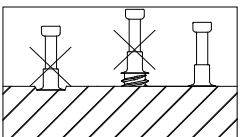
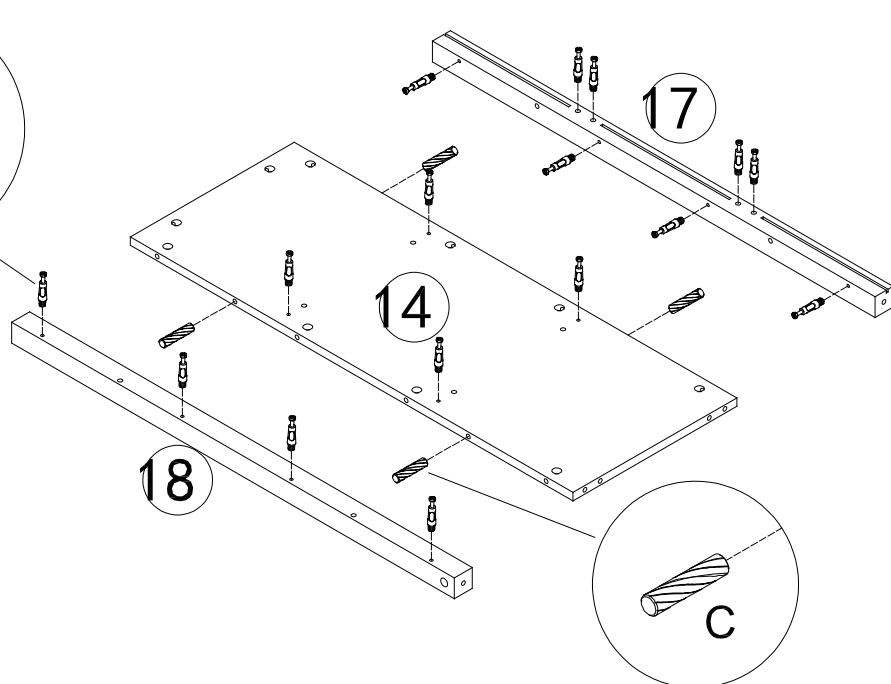
B  x 7

T  x 4

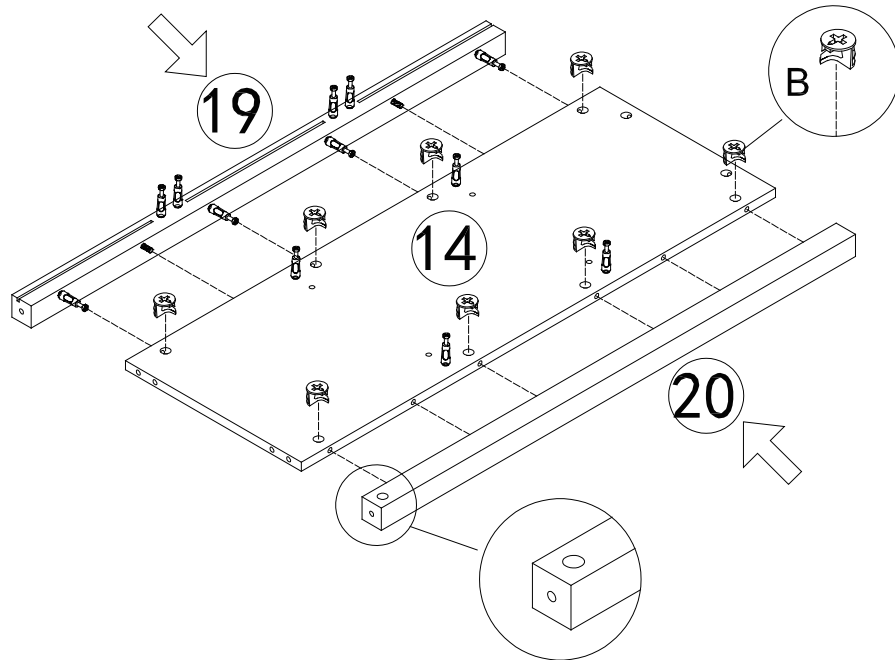
# Step 9



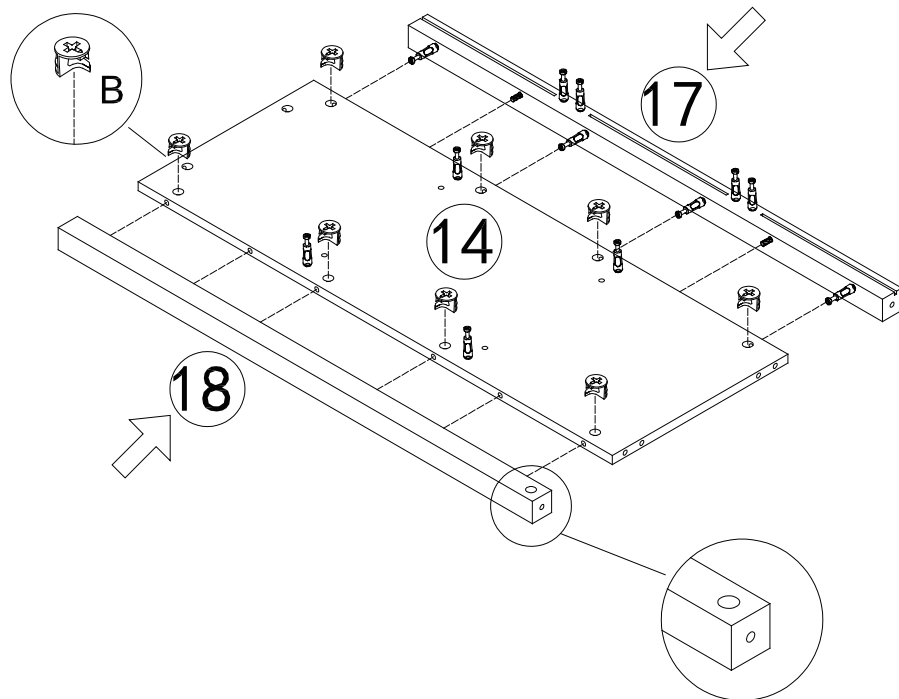
# Step 10



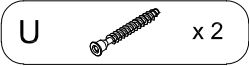
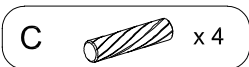
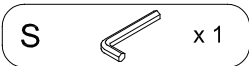
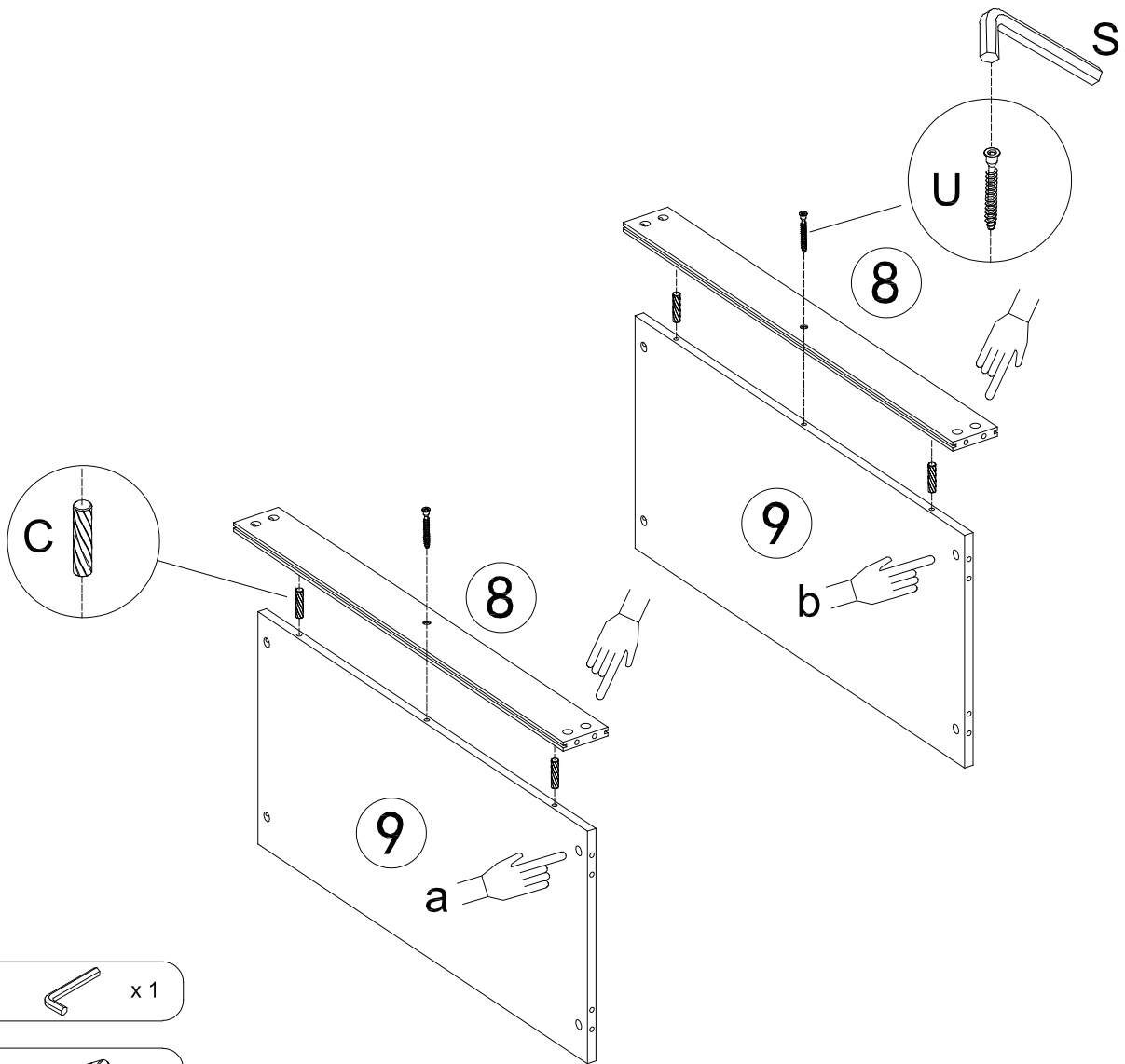
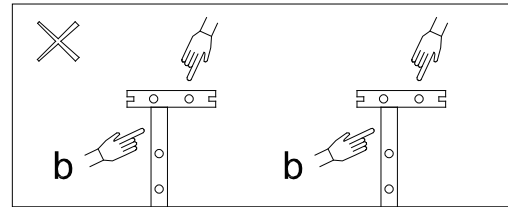
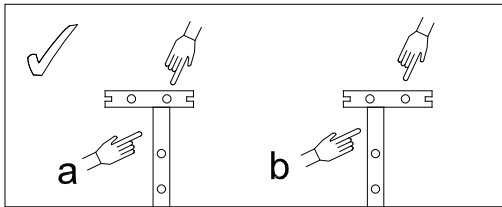
# Step 11



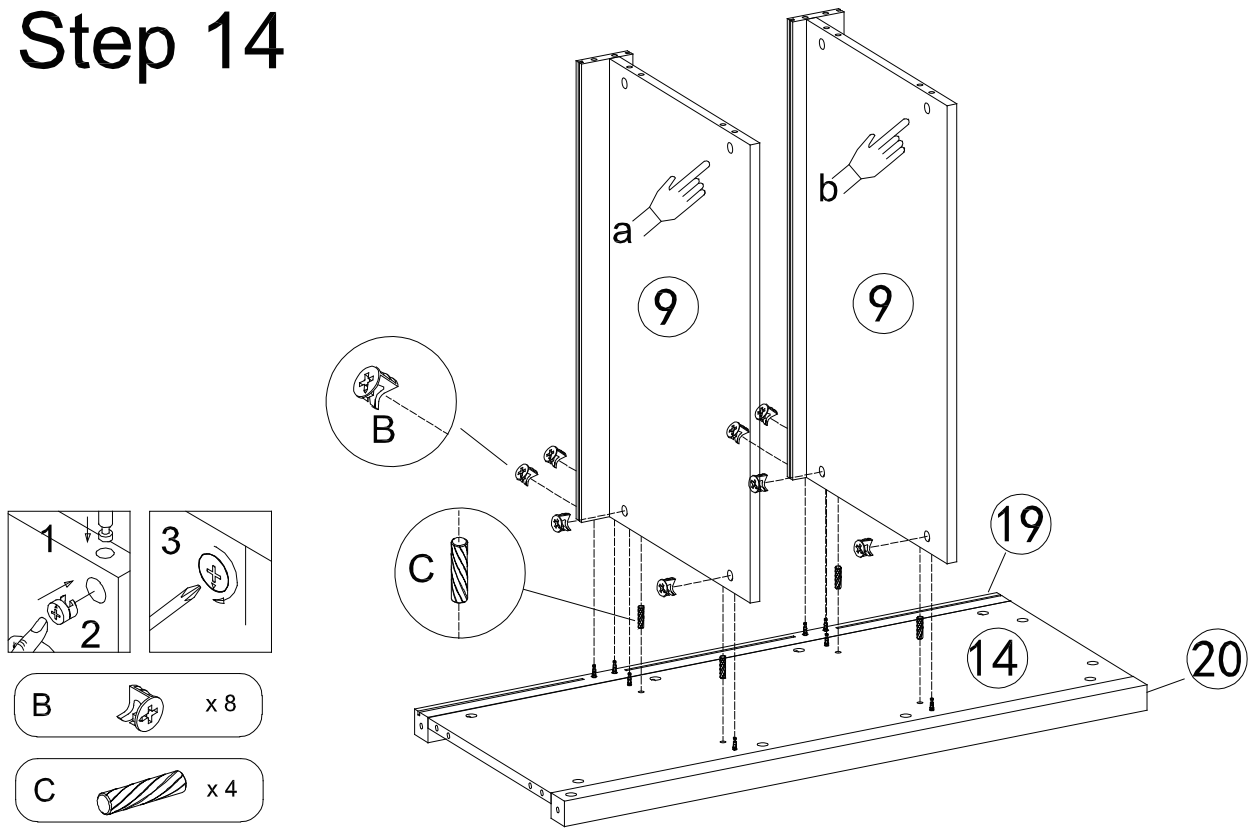
# Step 12



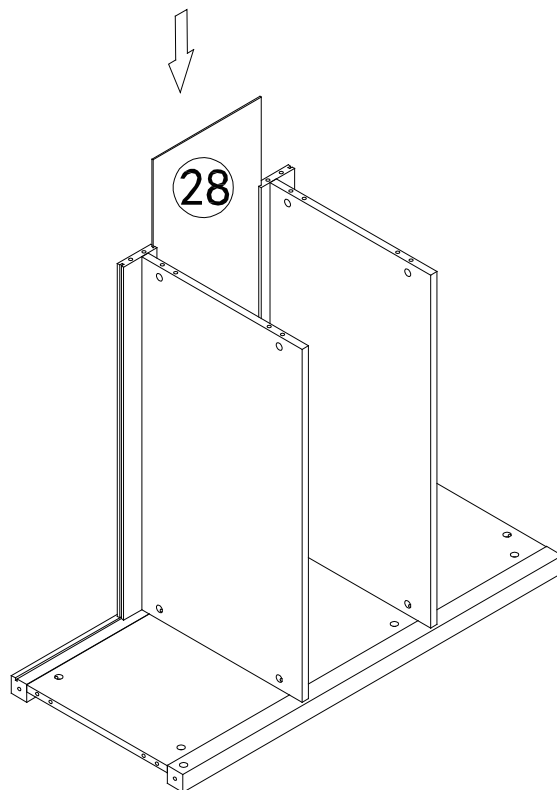
# Step 13



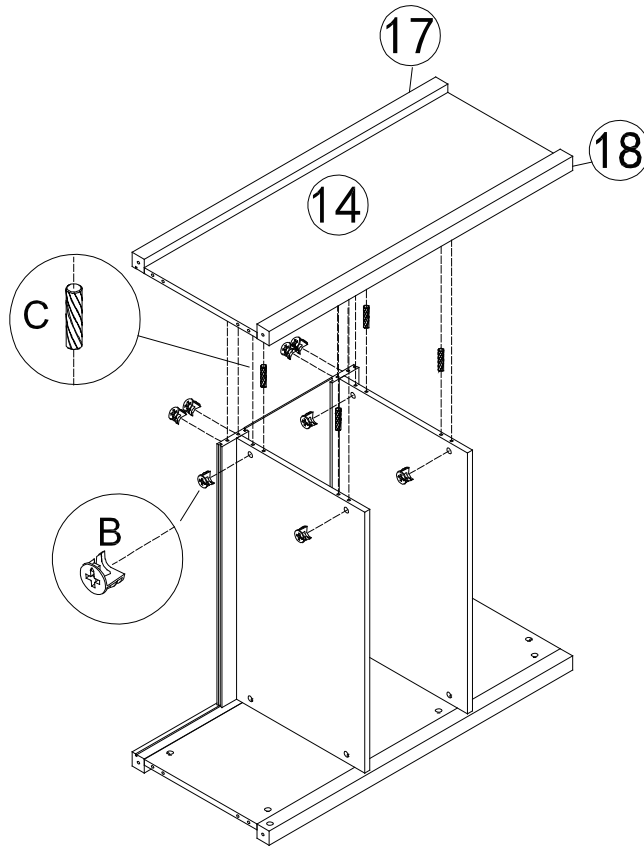
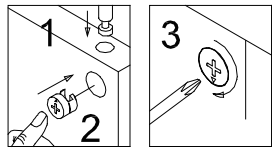
## Step 14



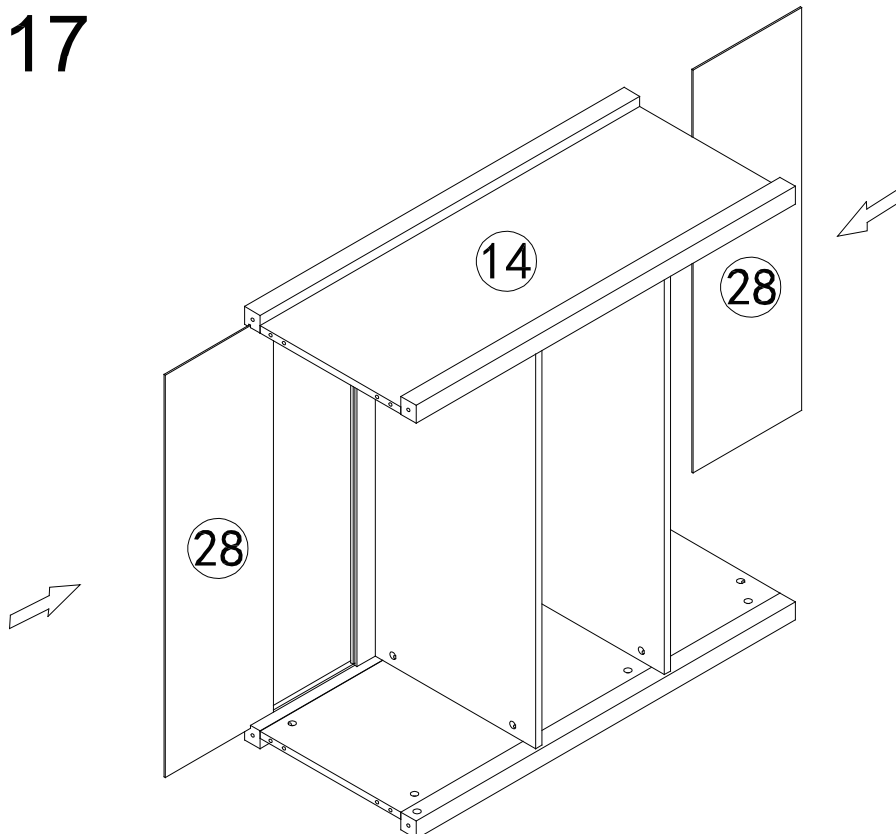
## Step 15



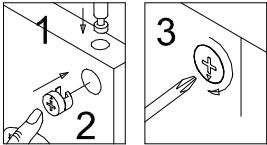
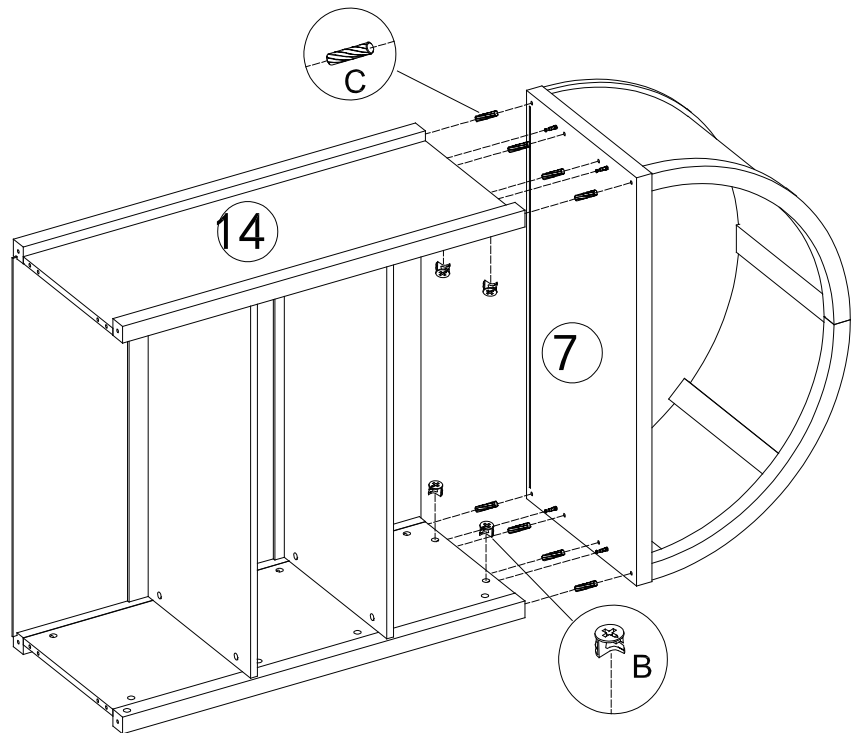
## Step 16





## Step 17

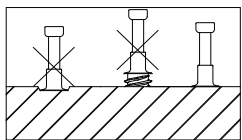
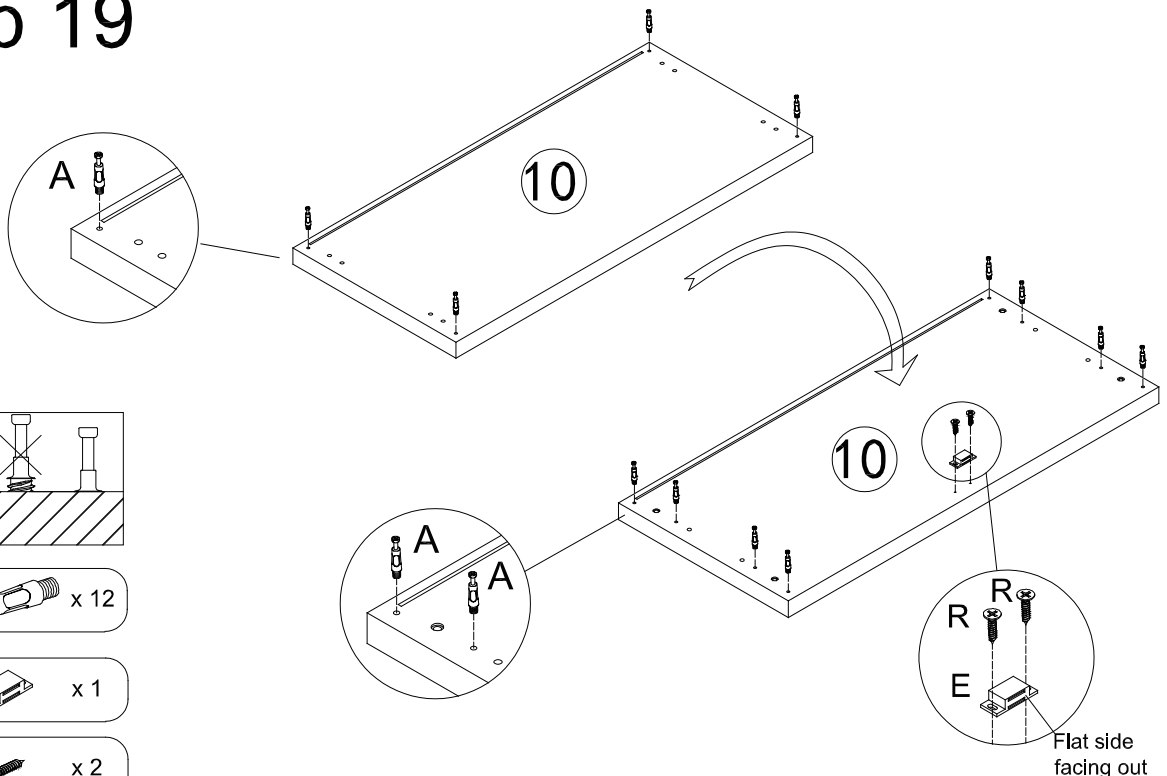


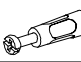


# Step 18



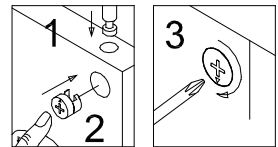
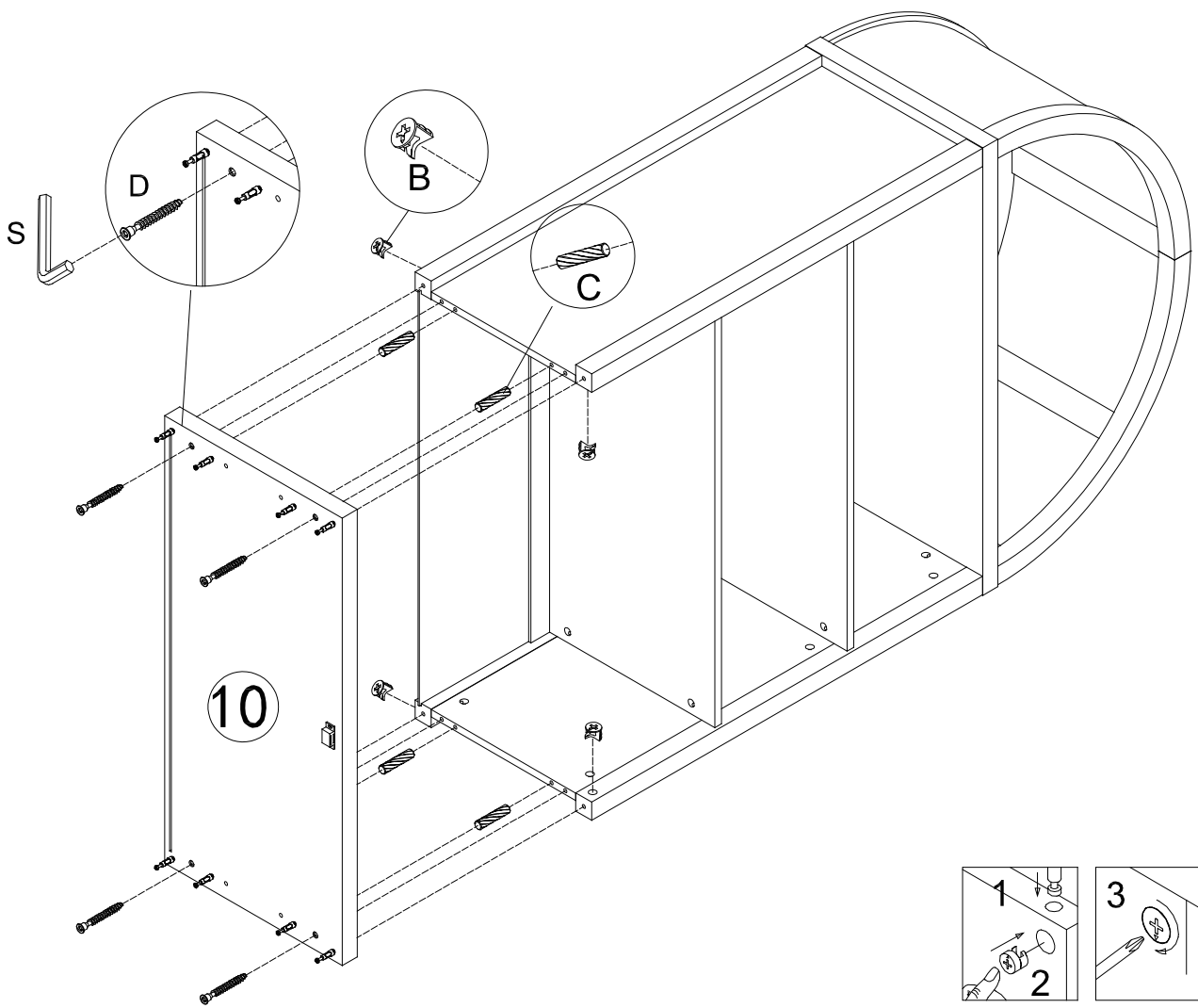
- B  x 4
- C  x 8



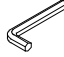

# Step 19



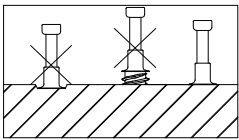
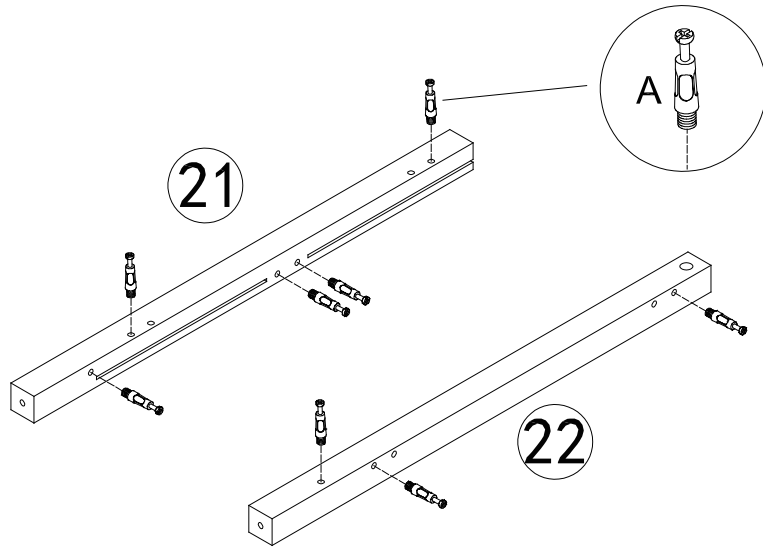
- A  x 12
- E  x 1
- R  x 2

# Step 20



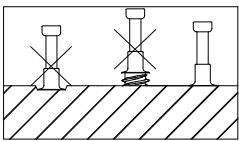
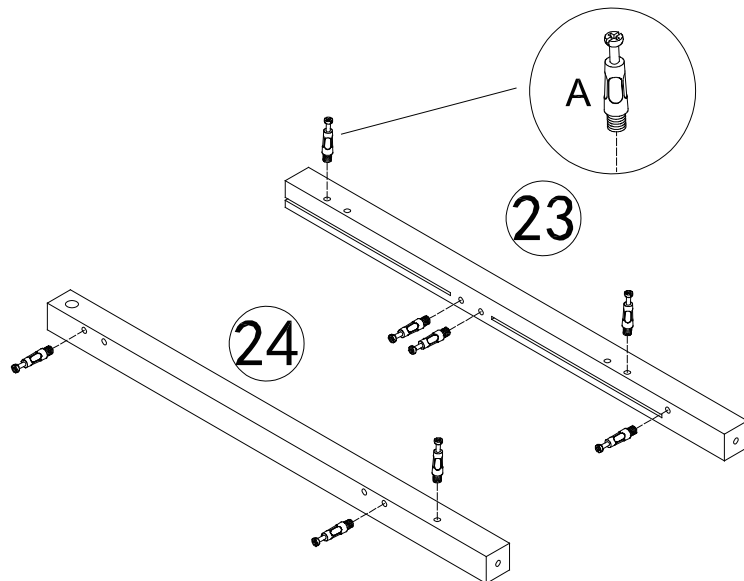
- B  x 4
- C  x 4
- S  x 1
- D  x 4

# Step 21



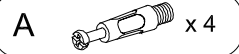
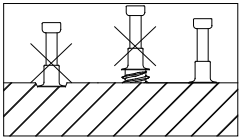
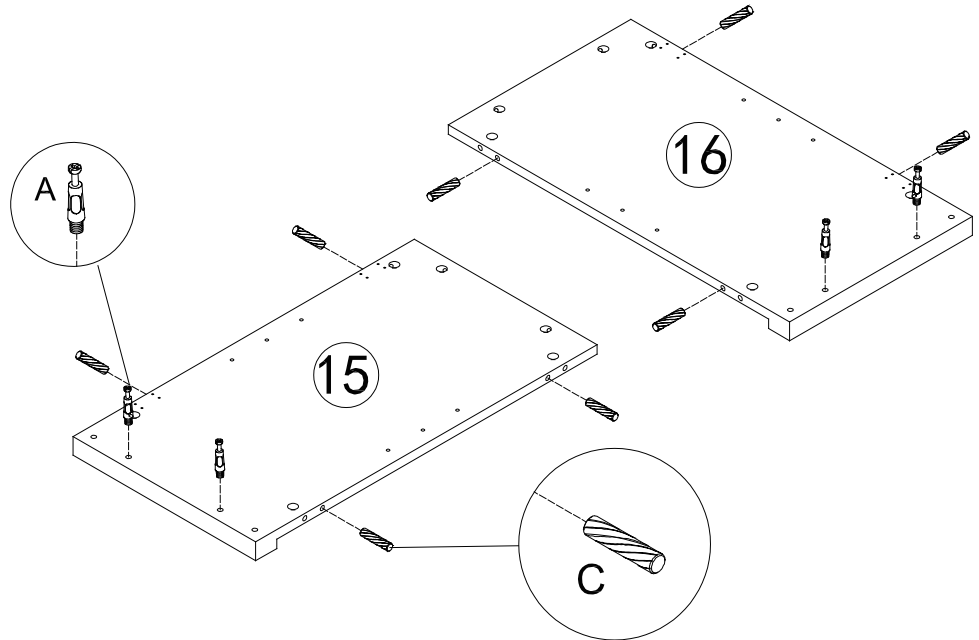
A x 8

# Step 22

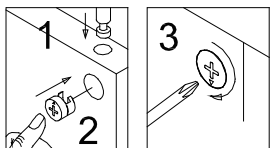
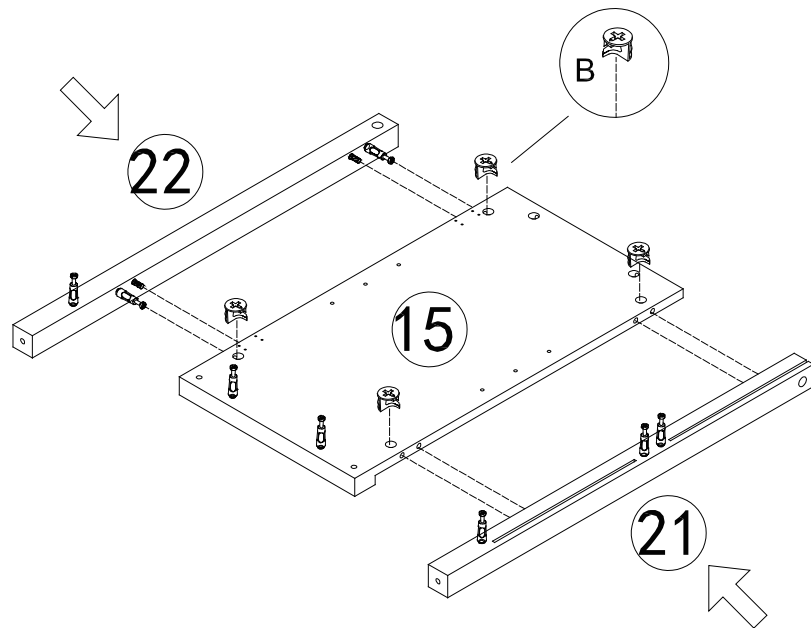


A x 8

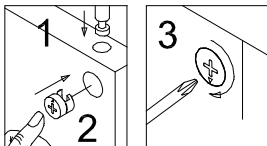
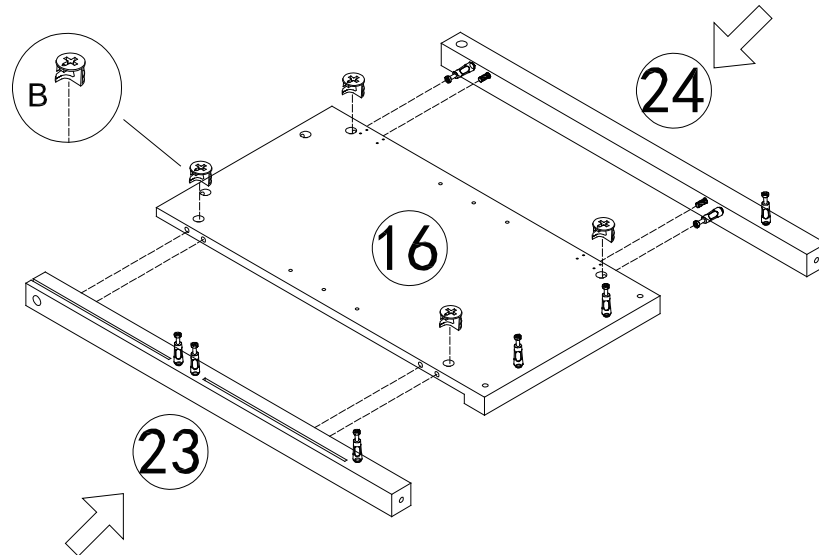
# Step 23



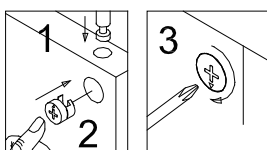
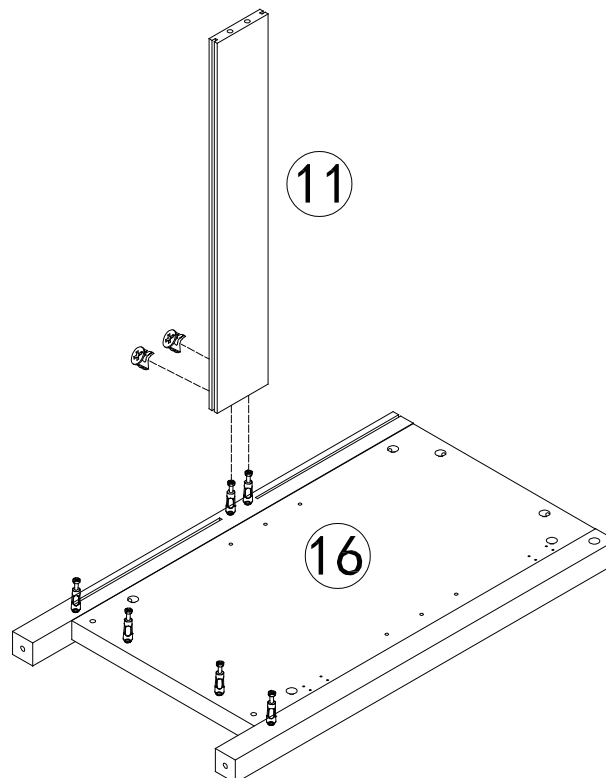
# Step 24



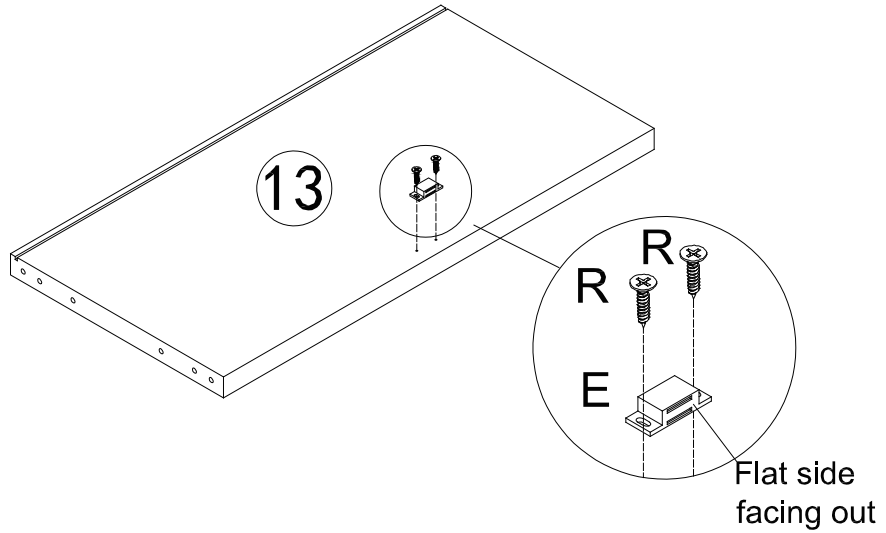
## Step 25



## Step 26



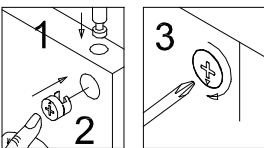
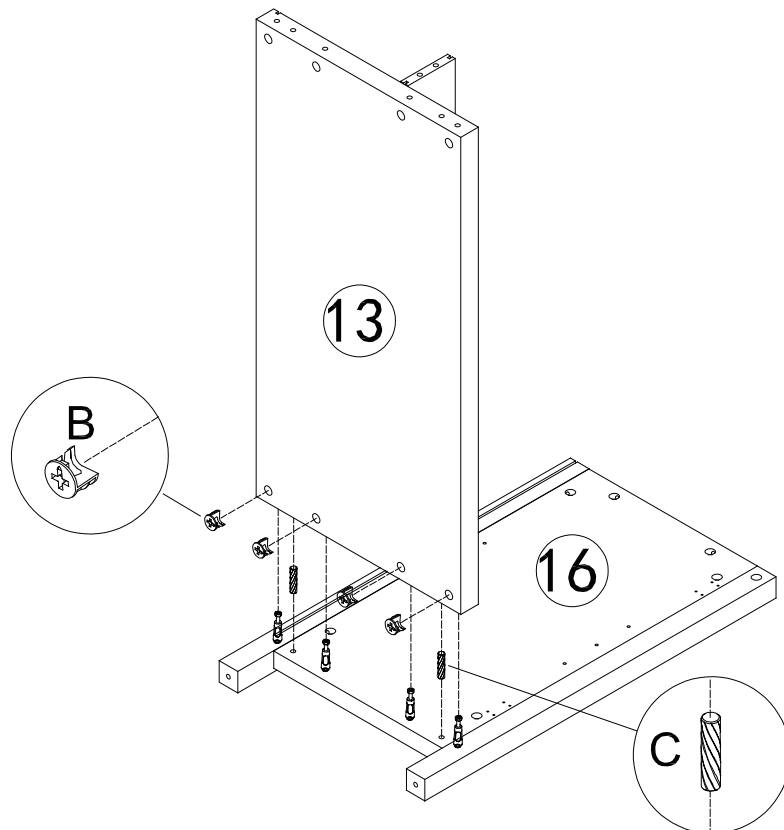
# Step 27



E x1

R x2

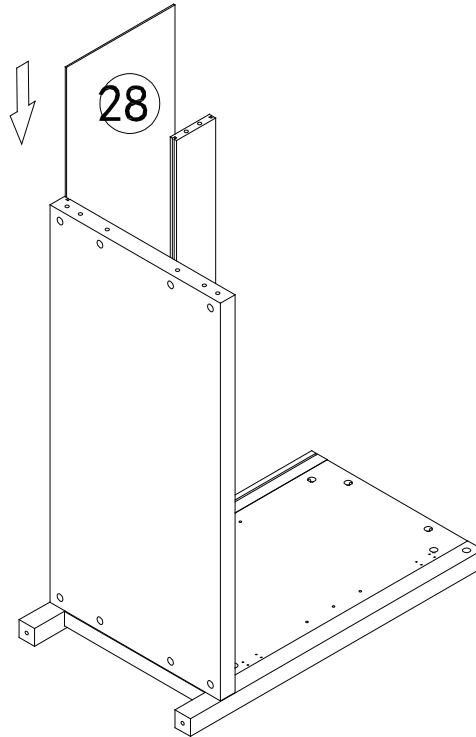
# Step 28



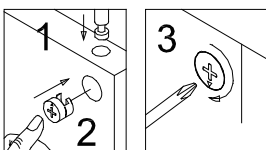
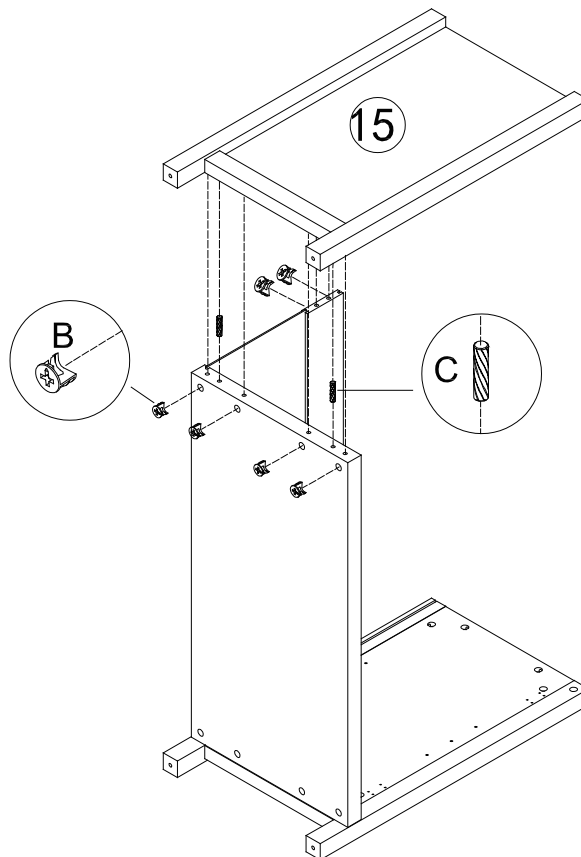
B x4

C x2

## Step 29



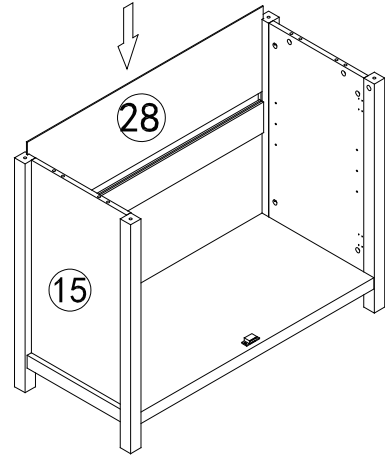
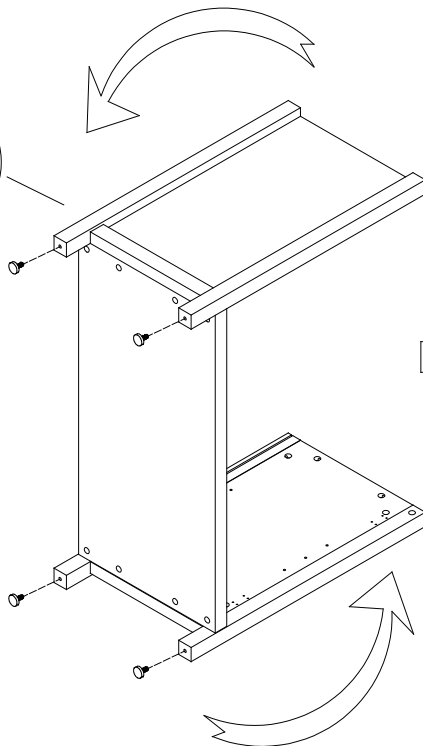
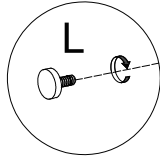
## Step 30




**B**  x 6

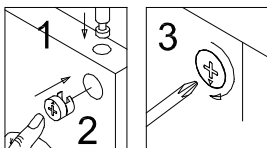
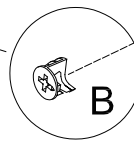
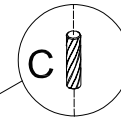
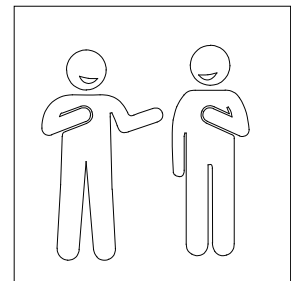
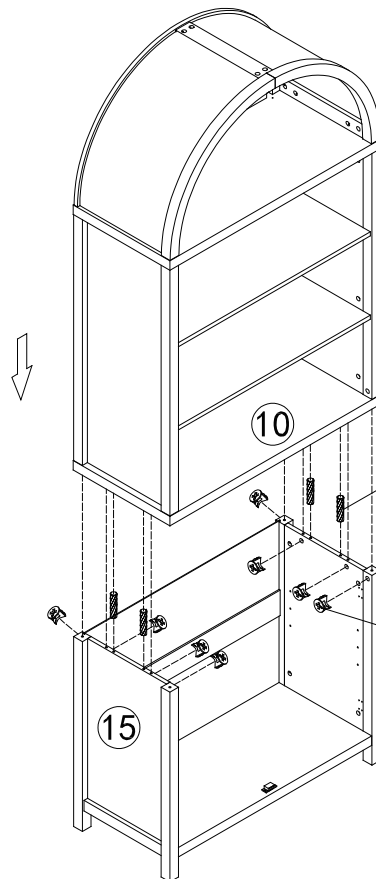
**C**  x 2

# Step 31



L  x 4

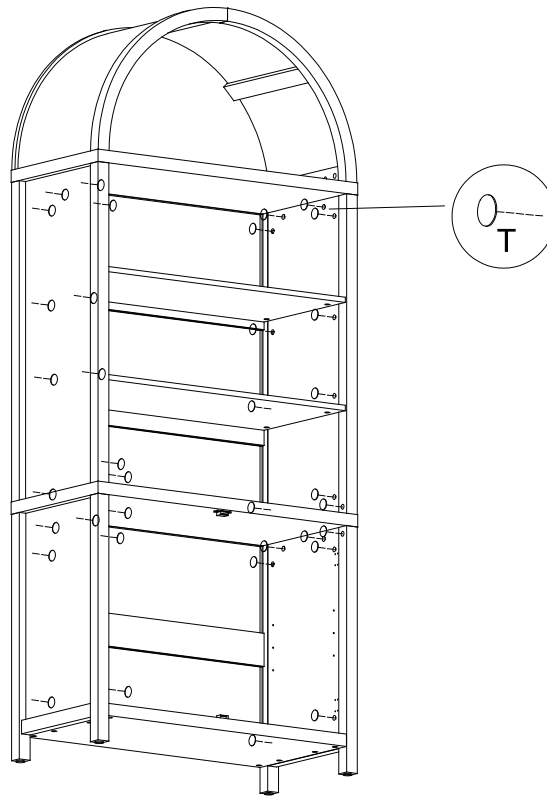
# Step 32



B  x 8

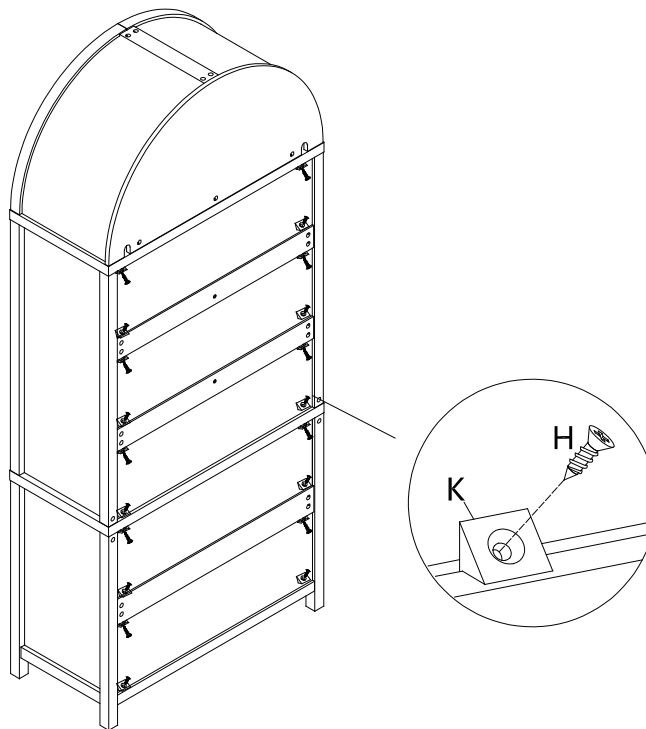
C  x 4

# Step 33



T  x 36

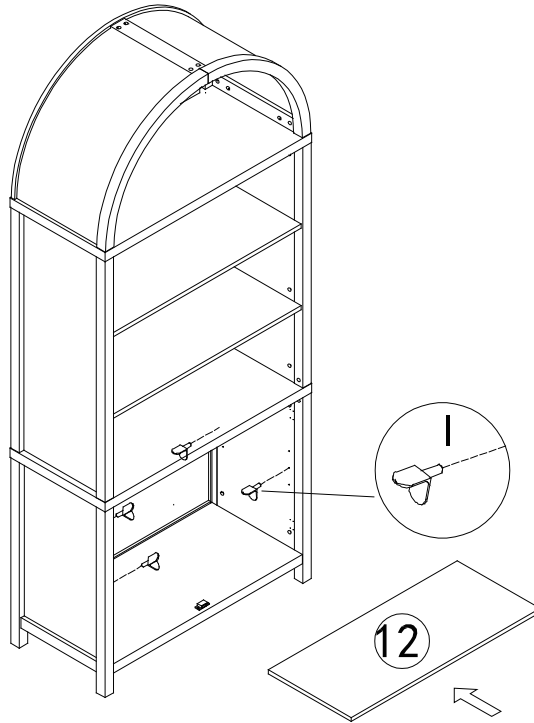
# Step 34



K  x 20

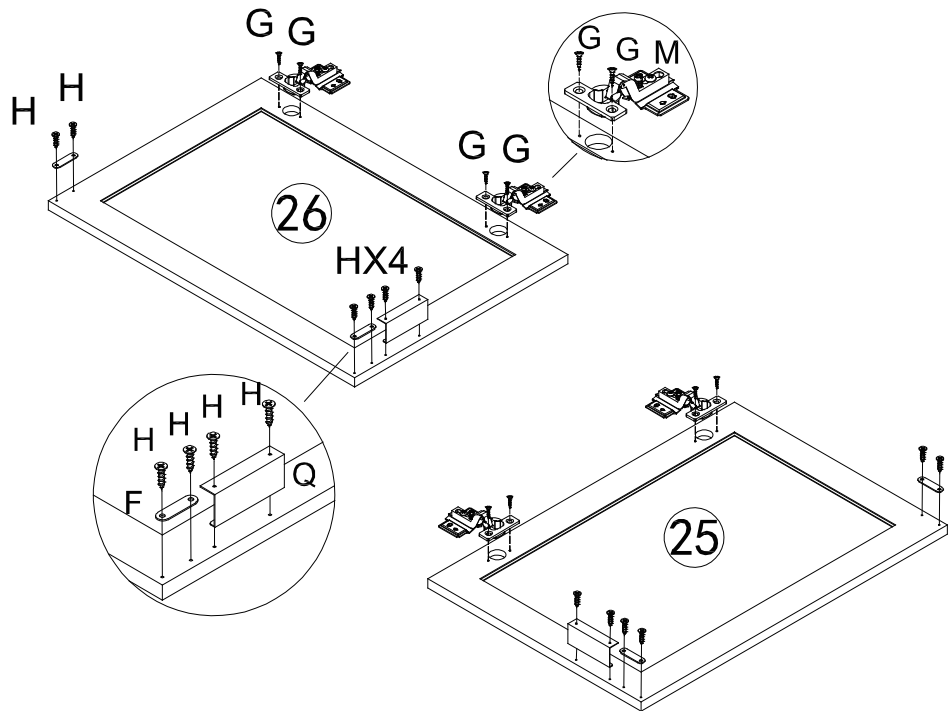
H  x 20

# Step 35




I  x 4

# Step 36



H  x 12

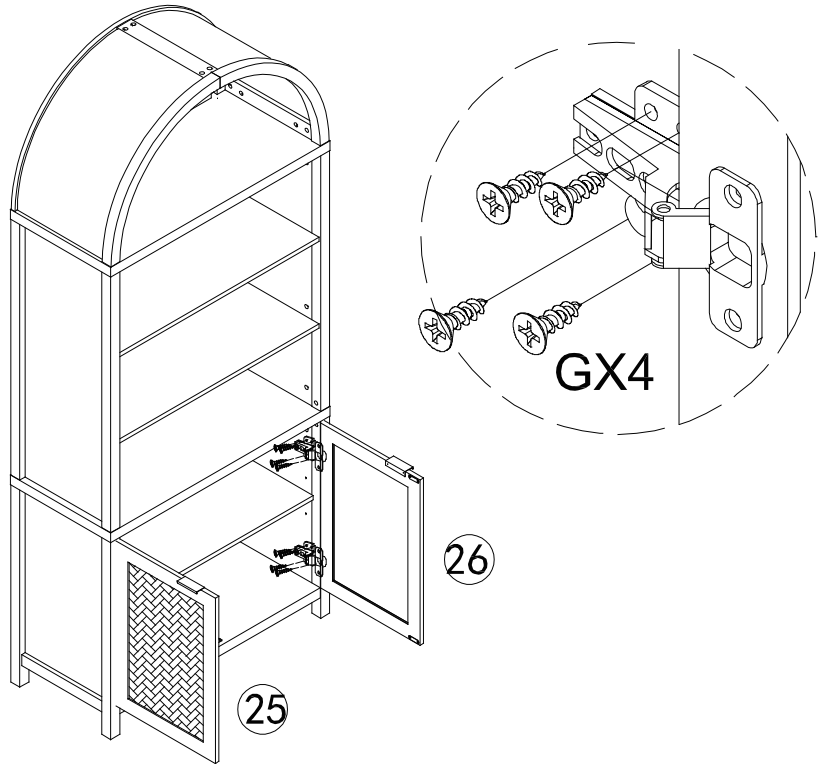
G  x 8

F  x 4

M  x 4

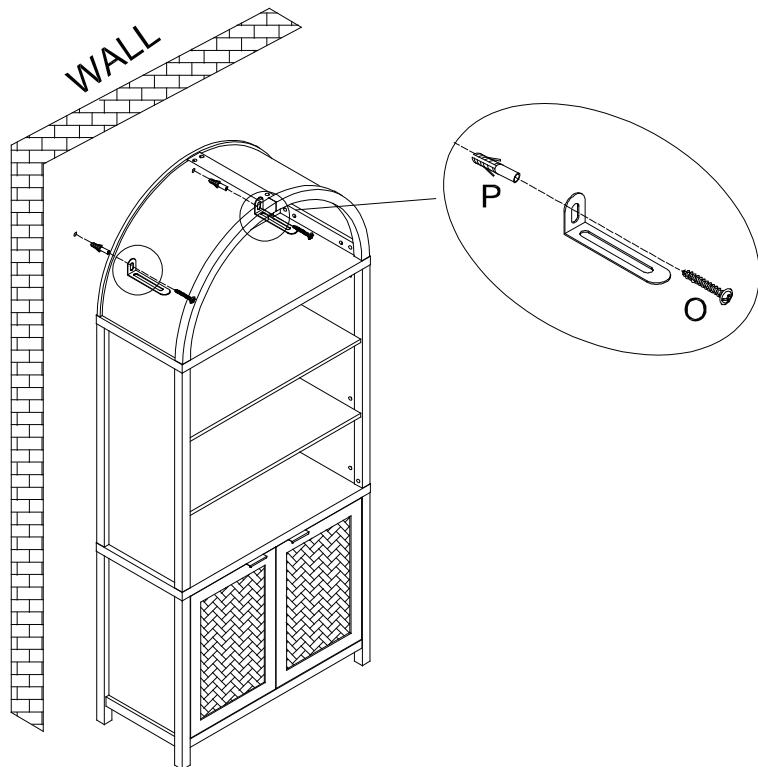
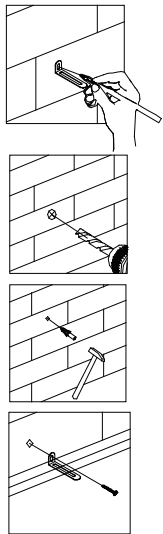
Q  x 2

# Step 37



G  x 16

# Step 38



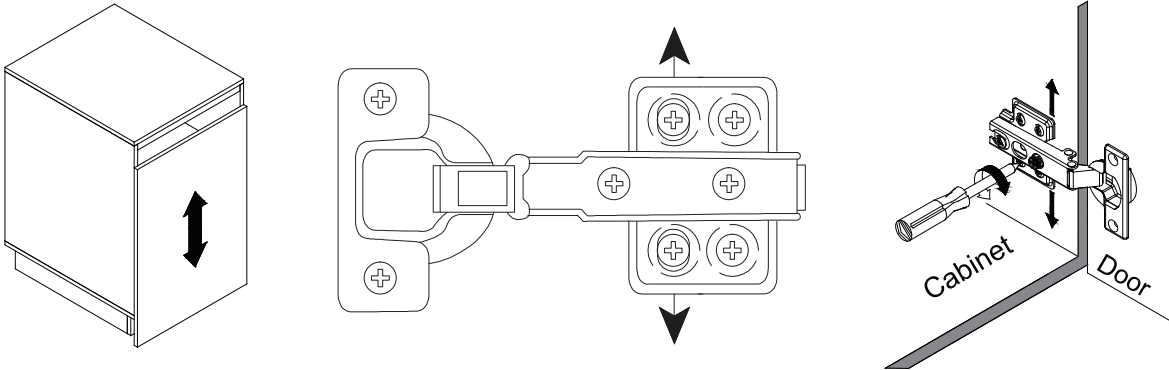
O  x 2

P  x 2

# Cabinet Door Adjustment Instructions

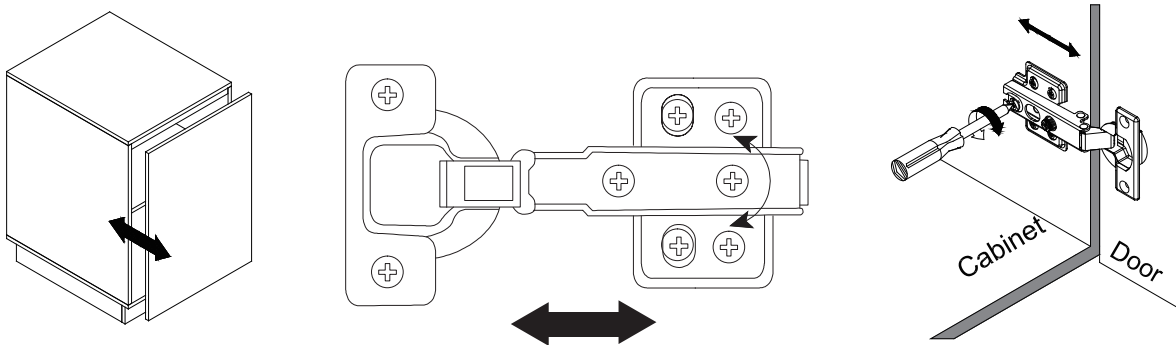
Height adjustment:

- Locate the height adjustment screws on the hinge.
- Use the Phillips screwdriver to either tighten or loosen the screws to raise or lower the cabinet door as desired.



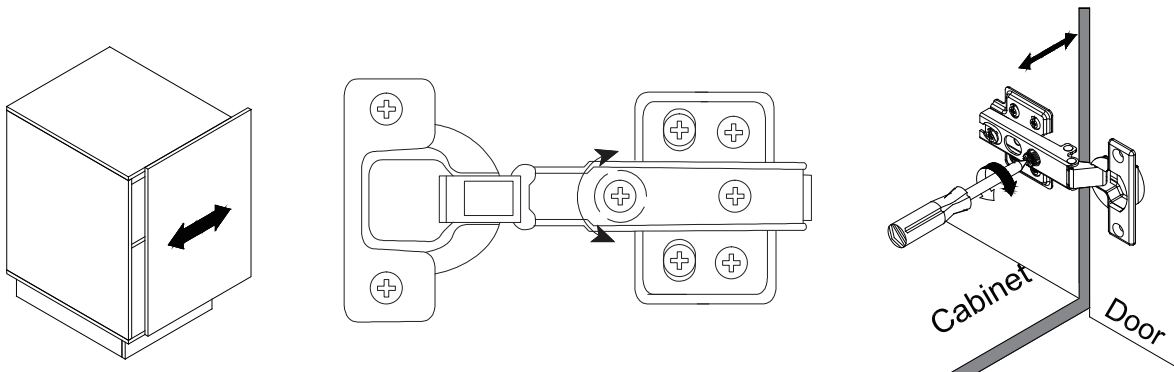
Side-to-side adjustment:

- If the cabinet door needs to be moved closer to or away from the cabinet frame, locate the side-to-side adjustment screws on the hinge.
- Use the Phillips screwdriver to adjust these screws and gradually move the door in the desired direction.



Depth adjustment (if applicable):

- Check if the cabinet door needs to be brought closer to or further away from the cabinet frame.
- For-depth adjustment, locate the depth adjustment screws on the hinge.
- Use the Phillips screwdriver to turn these screws clockwise or counterclockwise accordingly.



# Step 39

