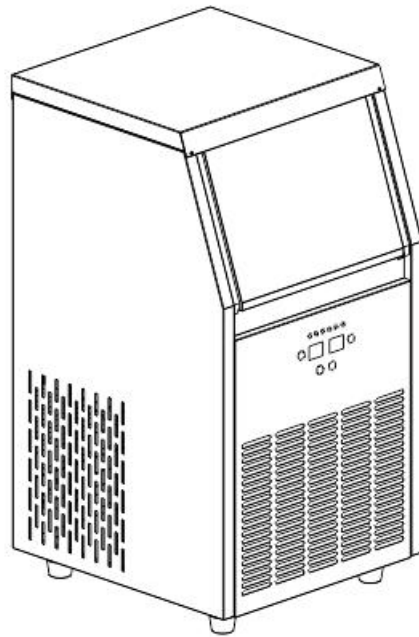


To safeguard your interests:

Please read this instruction manual carefully before using the product and keep this manual.

Ice Maker

User Manual



Contents

IMPORTANT SAFETY INSTRUCTIONS.....	1
IMPORTANT SAFETY TIPS	1
GETTING TO KNOW YOUR ICE MAKER.....	3
INSTALLATION YOUR ICE MAKER.....	4
INSTALL YOUR ICE MAKER	4
CONNECTING YOUR ICE MAKER.....	5
USING YOUR ICE MAKER.....	6
• How to start using your ice maker	7
• How to adjust Ice thickness	7
• Turn on/Off the light in the ice bucket.....	7
• How to preset the start time of ice making	8
• How to preset the end time of ice making	8
• How to use the cleaning function	8
CLEANING AND CARE YOUR ICE MAKER.....	8
TROUBLE SHOOTING.....	9

IMPORTANT SAFETY INSTRUCTIONS

Your safety and the safety of others are very important. We have provided many important safety messages in this manual for your appliance. Always read and observe all safety information. All safety messages will follow the safety warning symbols and the words “DANGER”, “WARNING” or “CAUTION”.



These words mean **YOU CAN BE KILLED OR SERIOUSLY INJURED IF YOU DO NOT FOLLOW THE PROVIDED INSTRUCTIONS.**

All safety messages will tell you what the potential hazard is, how to reduce the chance of injury, and what can happen if the instructions are not followed



WARNING: When using electrical appliances, basic safety precautions should be followed to reduce the risk of fire, electric shock and injury to persons or property. Read all instructions before using any appliance

IMPORTANT SAFETY TIPS

- This machine is not intended for use by persons who are physically weak, children, slow to respond, or have mental disorders unless they are used safely or with the guidance or assistance of those who are responsible for their safety.
- Do not operate this, or any other appliance with a damaged cord. If the power cord is damaged, it must be replaced by the manufacturer's maintenance department or the like.
- Connect to properly polarized outlets only. No other appliance should be plugged into the same outlet. Be sure that the plug is fully inserted into the receptacle.
- Do not run the power cord over carpeting or other heat insulators. Do not cover the cord. Keep cord away from traffic areas, and do not submerge in water.
- We do not recommend the use of an extension cord, as it may overheat and become a risk of fire. If you must use an extension cord, use No.14 AWG minimum size and rated no less than 1875 watts.
- Unplug the ice maker before cleaning or making any repairs or servicing.
- Do not use your ice maker outdoors. Keep the ice maker away from direct sunlight.
- Do not clean your ice maker with flammable fluids. The fumes can create a fire hazard or explosion.

- This product must be properly installed and located in accordance with the installation instructions before it is used.
- Do not, under any circumstances, alter or remove the third (ground) prong from the power cord. For personal safety this product must be properly grounded
- Do not allow children to climb, stand, or hang on the ice maker. They could seriously injure themselves.
- Do not look directly at UV lamp when it is operating. The light emitted by the lamp will cause serious eye damage and burn unprotected skin.
- Do not use any accessories not recommended by the manufacturer.
- When handling, installing, and operating the appliance, care should be taken to avoid damage to the refrigerant tubing.
- Do not store explosives, such as combustion sprays, in appliances.
- The appliance is used for household and similar purposes, such as:
 - a kitchen area for shops, offices or other workplaces;
 - customers in the farms and hotels, motels and residential environments;
 - family hotel environment;
 - Catering industry and similar non-retail applications.
- The use instructions should indicate that the old hose assembly cannot be reused with the new hose assembly supplied with the appliance.

WARNING: Ice maker only connect to drinking water sources. Do not use other liquid to make the ice-cube other than water.

WARNING: Keep ventilated, in the machine shell or embedded structure, should be kept for three months to clean up an obstacle, the best professional cleaning workers cleaning, cleaning attention to turn off the power.

WARNING: This appliance must be earthed.

DANGER – Risk of fire or explosion. Flammable refrigerant used. Do not use ice pick or a metal or sharp-edged instrument to defrost Ice Maker as it may puncture the freezer liner and then the flammable refrigerant tubing behind it.



DANGER – Risk of fire or explosion. Flammable Refrigerant Used. To Be Repaired Only By Trained Service Personnel. Do not puncture refrigerant tubing.

CAUTION – Risk of fire or explosion. Flammable Refrigerant Used. Consult Repair Manual/Owner's Guide Before Attempting. To Install or Service This Product. All Safety Precautions Must be Followed.

CAUTION – Risk of fire or explosion. Dispose of refrigerator in accordance with Federal

and Local Regulations. The flammable refrigerant and insulation material used in this product require special disposal procedures. Contact your local authorities for the environmentally safe disposal of your refrigerator.

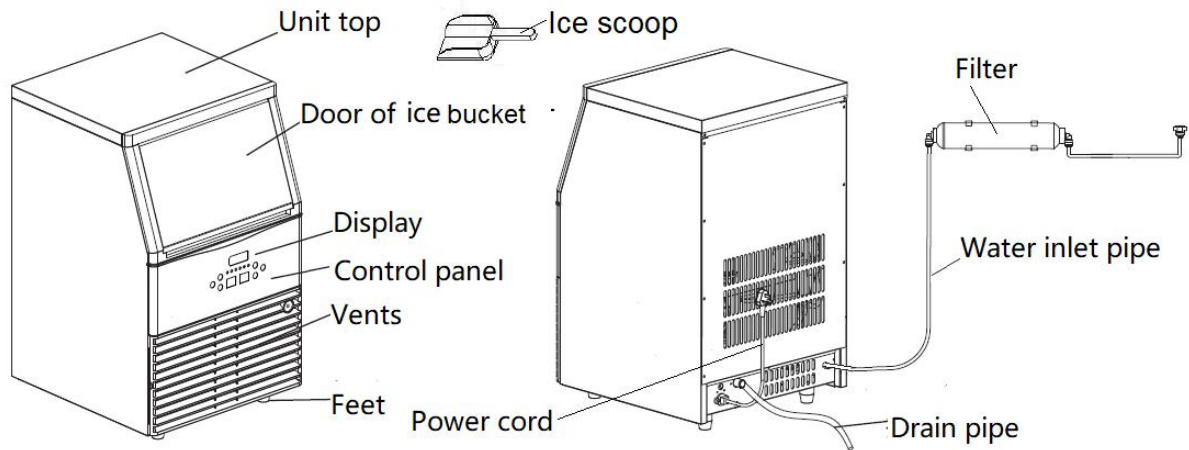
CAUTION-Risk of fire or explosion due to puncture of refrigerant tubing; Follow handling instructions carefully. Flammable refrigerant used.

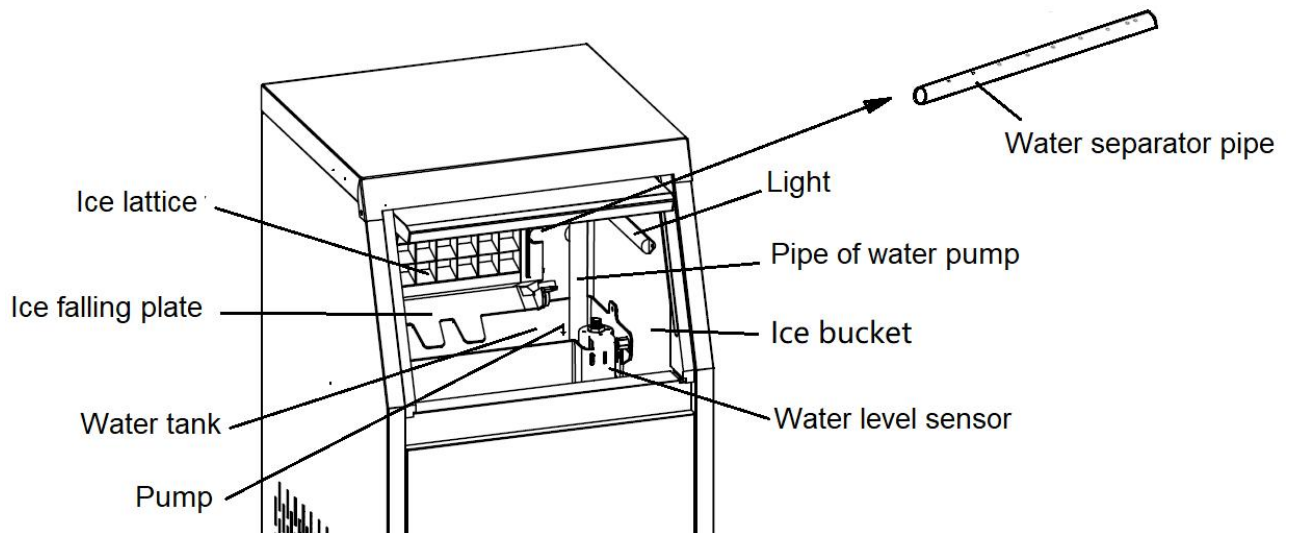
The ice maker should be installed in accordance with the safety standard for Refrigeration Systems, ASHRAE15. The ice maker shall not be installed in corridors or hallways of public buildings.

If the unit is with problem need to be maintained, service shall only be performed by authorized service personnel. Use only manufacturer-authorized service parts.

CAUTION - Do not remove any safety, warning, or product information labels from your ice maker

GETTING TO KNOW YOUR ICE MAKER





INSTALLATION YOURICEMAKER

INSTALL YOUR ICE MAKER

1. Remove the exterior and interior packaging, check the maker for damage carefully, then take out the accessory from the ice bucket, then clean the interior ice bucket.
2. Place the ice maker on the flat and solid ground surface.
3. The ice maker is not for outdoor use, please use it under ambient temperature 10°C - 32°C , and water temperature less than 30°C , high temperature may decrease the ice output capacity.
4. To maximum the efficiency of ice maker, the ice maker should at least keep a certain distance from the wall or other equipment around it (as following table).

Side of ice maker	Distance of ice maker to wall or equipment(cm)
Side	15
Back	20
Front	50

5. The ice maker shall be installed where is easy for water drain away, and protected from direct sunlight, don't put it aside by high temperature equipment (Refrigerator, oven).
6. The appliance must be positioned so that the plug is accessible.

CONNECTING YOUR ICE MAKER

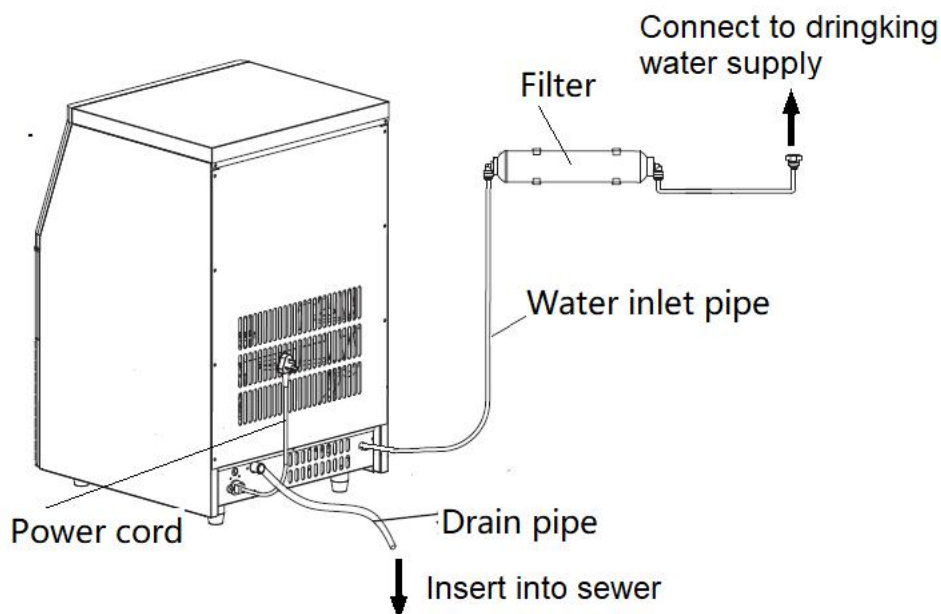
1. The water supplied to the ice maker must be passed the filter. Please do not directly connected ice maker to tap water, poor water quality may cause ice maker failure.
2. The water supply pressure must be controlled at 130~550Kpa. If the pressure is too high, a pressure reducing valve must be installed. Make sure to prevent the water inlet pipe from being broken by high-pressure water pressure.
3. Connect the drain water pipe to the sewer. The ice maker drains by gravity, so it must be ensured that the outlet of the drain pipe is higher than the inlet of the drain pipe.
4. Allow one hour for the refrigerant fluid to settle before plugging ice maker in.



DANGER: Improper use of the grounded plug can result in the risk of electrical shock. If the power cord is damaged, it must be replaced by the manufacturer's maintenance department or the like.

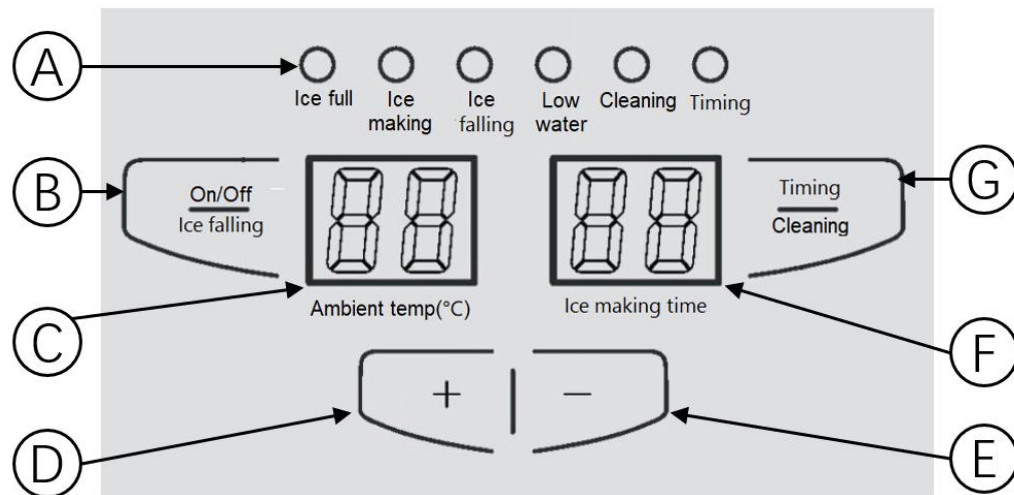
IMPORTANT:

1. For personal safety, the device should be properly grounded. The power cord of the device is equipped with three-prong plug, which is matched with a standard three-prong wall outlets to minimize the possibility of electric shock.
2. Plug your appliance into an exclusive, properly installed, grounded wall outlet. Do not under any circumstances, cut or remove the third (ground) prong from the power cord. Any questions concerning power and/or grounding should be directed toward a certified electrician.
3. This appliance requires a standard 110-120 volt, 60Hz electrical outlet with three-prong ground.



USING YOUR ICE MAKER

• Control panel introduction



A: LED indicator lights: Indicates the status of the ice maker during working.

B: On/Off & Ice falling button:

- After power on, the unit enters the standby mode. Press this button to start the ice making process.
- During ice making, press this button to skip to "ice falling" mode.
- During ice maker working, press this button for 3 seconds, unit will enter the standby mode.

C: Displays the ambient temperature and return air temperature.

D: "+" button:

- During ice maker working, press "+" button for 3 seconds to enter the mode of adjusting the ice thickness, the display flash.
- Press this button to increase the thickness of ice cubes.
- Press this button to increase time when presetting the time of start/end ice making (in hours).

E: "-" button:

- Press "-" button for 3 seconds to turn on/off the light in the ice bucket.
- Press this button to reduce the thickness of ice cubes.
- Press this button to reduce time when presetting the time of start/end ice making.

F: Display the remaining time for ice making in a cycle (in minutes).

Display the set time when presetting the start/end time of ice making (in hours).

G: Timing & Cleaning button:

- During Ice maker working, press this button to preset end time of the ice making (in hours). Press this button again to cancel the setting.
- In standby mode, press this button to preset the ice making start time (in hours). Press this button again to cancel the setting.
- In standby mode, press this button for 3 seconds, unit will skip to "cleaning" mode.

● How to start using your ice maker

1. Plug in power and press the On/Off button, the ice maker will automatically run the power on cleaning program first and the "cleaning" light on, then ice making process will automatically started after the cleaning completed, and "ice making" light on.
2. When the ice cubes reach the set thickness, it will fall into the ice bucket automatically. Then the ice maker proceeds to the next ice making process automatically.
3. The ice maker will stop ice making automatically when the ice bucket is full with ice cubes and the "Ice full" light is on. When the proper ice cubs are removed, the ice maker will continue the ice making process.

Remark: The ice making cycle lasts about 20 to 25 minutes, depending on the ambient temperature. And for the first time, according to the initial water temperature, ice-making last time will be a little longer. In the extreme hot room temperature, ice-making time maybe vary a lot.

● How to adjust Ice thickness

- 1, If you think the ice cubes are not thick enough, during ice maker working, press "+" button for 3 seconds to enter the mode of adjusting the ice thickness, and the display flashes. Then change the ice thickness by using "+" and "-" to change the lead time of ice making basis on the current lead time. The maximum increase is 25 minutes. The minimum reduction is - 9 minutes.
- 2, The new setting of ice thickness can only start from the new cycle.

● Turn on/Off the light in the ice bucket

Press "-" key for 3 seconds to turn on the light, and press "-" for 3 seconds to turn it off when light is on.

● How to preset the start time of ice making

1, In standby mode, press "Timing" button to preset the start time of ice making. "Timing" light on and display flash. The number displayed is the remaining time until the start of ice making (in hours).

2, Press "+" and "-" to set the desired time. The set time flash for 3 times and disappears, the unit enters the presetting state, and the "Timing" light keep on.

3, After setting, press "Timing" button again to cancel the setting, and the "Timing" light off.

● How to preset the end time of ice making

1, During ice maker working, press "Timing" button to preset the end time of ice making. "Timing" light on. The number displayed is the remaining time until the end of ice making (in hours).

2, Press "+" and "-" to set the desired time. The set time flash for 3 times and disappears, the unit enters the presetting state, and the "Timing" light keep on.

3, After setting, press "Timing" button again to cancel the setting, and the "Timing" light off.

● How to use the cleaning function

In the standby mode, press the "cleaning" button for 3 seconds enter the cleaning mode. The unit starts automatic cleaning for 30 minutes. Then it returns to standby mode.

During the ice making process, the ice maker will conduct a 35 second cleaning every 10 ice making cycles. (Some models are different)

CLEANING AND CARE YOUR ICE MAKER

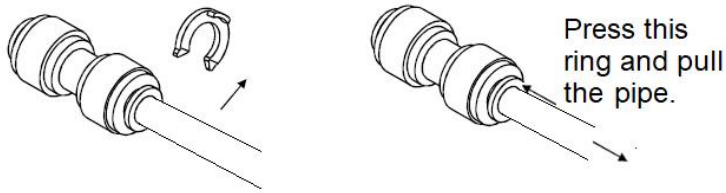
Please carry out maintenance according to the requirements of this manual, so as to improve the efficiency of the ice maker and extend its service life.

- Clean the environment around the ice maker frequently and keep it clean.
- Do not block the ventilation louvers of the ice maker.
- The outside of the ice maker should be cleaned regularly with a mild detergent solution and warm water.
- Clean the condenser once every three months. Use a soft brush or a vacuum cleaner with a brush to brush the fins along the direction of the fins to prevent loss of fins.
- The filter element of the water filter shall be replaced regularly. The ordinary filter element needs to be replaced for half a year. For other filter elements, it should be replaced according to its instructions. Or replace the water filter with a similar one (single stage filter with 1/4-Inch quick connect). Remove the water filter connector as shown in the

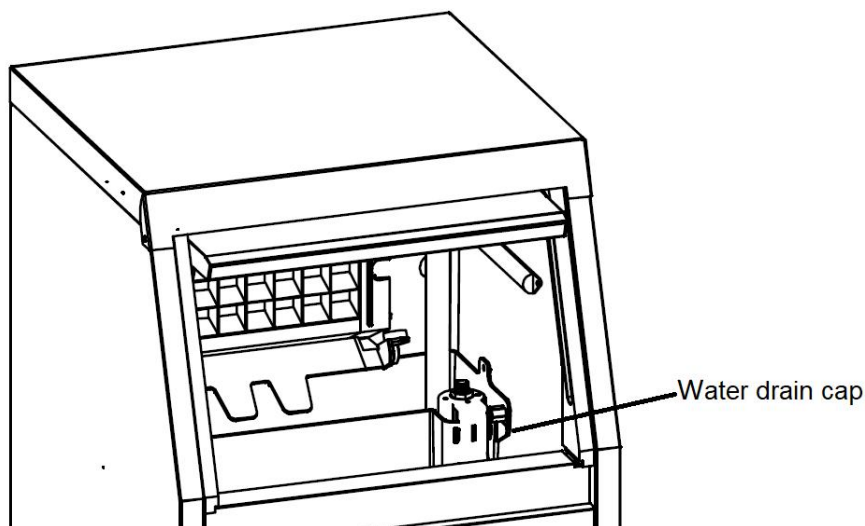
figure below.

Step 1: Remove the clip

Step 2: Remove the pipe



- When cleaning the water tank and ice bucket of the ice maker, you can directly flush them with a water pipe. To prevent water from entering the internal circuit and causing electric leakage, do not use excessive water pressure, and do not directly flush the part above the ice lattice.
- When ice maker is not used for a long time, in addition to turning off the water source and cutting off the power supply, open the water drain cap to drain water completely out from the water tank.



After using your ice maker for a long time, we also suggest you should clean your ice maker. Especially to the ice lattice and the water tank, it must be cleaned periodically.

TROUBLE SHOOTING

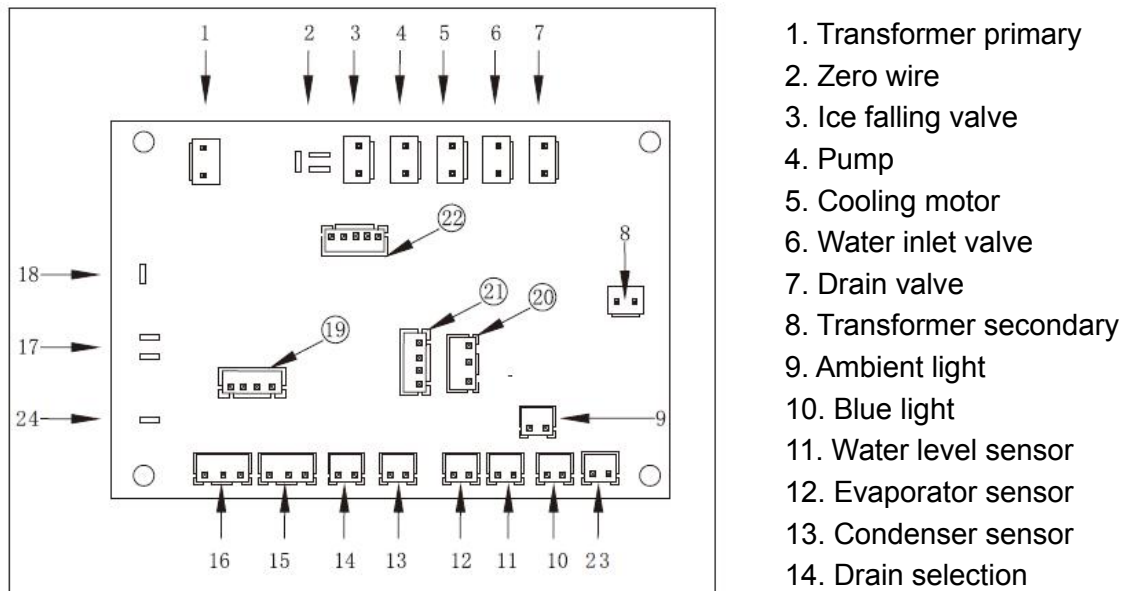
If the ice maker is stopped by voltage and water pressure unstable, and no ice making or no ice falling. Please unplug the power supply and wait for 5 minutes before powering on it. Sometime ice will appear in the water tank. At this time, you can unplug the power supply and wait for 10 minutes before powering on.

Problem	Possible cause	Solution
Ice maker does not work	Not connected to the power supply or water supply.	Check the power supply and water supply to ensure they are normal.
	The ice falling plate was stuck by some matters and does not return to its right position.	Let the ice plate return back to the correct position by removing foreign matters.
The ice maker can only make ice once every time.	Ice bucket was full by ice cubes or the ice falling plate didn't return its right position.	Let the ice plate return back to the correct position by removing the ice cubes.
Ice cubes cannot fall off	Ice lattice is dirty.	Clean the ice lattice
	The ice maker is tilted.	Put the ice maker upright and make the top surface of the unit as horizontal as possible.
	Environment temperature is too low.	Environment temperature should be higher 10 °C.
	Solenoid valve failed	Replace a new one.
	Ice making cycle too long	Press “-“ to reduce the ice making time.
Ice cubes are too thin or incomplete	Ambient temp too high	Move the unit to cool place.
	Water temp is too high	The water temp should be no more more than 32 °C.
	Ice making time is short	Press <+> to increase the ice making time.
	Water tank leak water	Replace water tank.
	Inlet valve does not work	Check the inlet valve or replace it.
	Water pressure is too low	Make sure the water pressure at 130-550Kpa.
	Water pipes are blocked	Clean the water pipes.
Ice making is too slow	Condenser is dirty	Clean the condenser
	Ambient temperature too high or the ventilation is not good.	Move the unit to somewhere ambient temp lower than 32 °C, connect to the cool drinking water supply.
	The water level sensor failed	Replace a new sensor.
	Water tank leakage	Replace water tank.
	The ventilation space around the ice maker is too small.	Empty the space around the ice maker.

Ice maker work but no ice cube	Ambient temp is high or the water temp is high.	Move the unit to somewhere ambient temp lower than 32 °C, connect to the cool drinking water supply.
	Refrigerant system leakage	Need the technical service person to maintain.
	Refrigerant system block	Need the technical service person to maintain.
Display "E1"	Ambient temperature sensor failed.	Need the technical service person to change a new sensor.
Display "E2"	Return air temperature sensor failed.	Need the technical service person to change a new sensor.
Display "E1"and "E2"	Ambient temperature sensor and return air temperature sensor are failed at the same time.	Move the unit to somewhere ambient temp lower than 32 °C, connect to the cool drinking water supply.

WIRING DIAGRAM ON PCB

(For reference only, it may be different from the real machine.)



- 15. Blue light control
- 16. Ice falling check
- 17. Connect to live wire
- 18. Live wire of compressor
- 19. Connected to WIFI connector

- 20. Ice full sensor
- 21. Download interface
- 22. Display
- 23. DC cooling fan
- 24. Unit grounding

