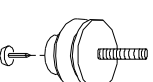
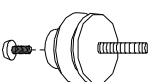
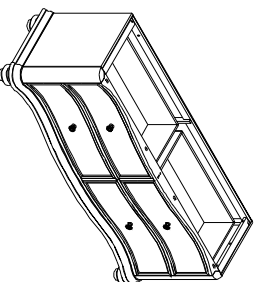
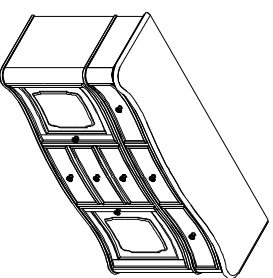


PARTS LIST / LISTE DES PIÈCES / LISTA DE PIEZAS
ITEM NO./ARTICLE NO./ARTICULONNO: P293127/P293128

DESCRIPTION/ LA DESCRIPTION/ DESCRIPCIÓN: Master Chest Base/Base de Commode/Base de cómoda
Master Chest Deck/Commode (Partie supérieure)/Cómoda (Parte superior)



A

B

C

D

E

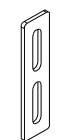
- x1 Master Chest Deck
- x1 Commode (Partie supérieure)
- x1 Cómoda (Parte superior)

- x1 Master Chest Base
- x1 Base de Commode
- x1 Base de cómoda

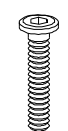
- x2 Bun Foot (Front) *
- x2 Pied en forme d'ogignon (Avant)
- x2 Pata redonda (Delantera)

- x2 Bun Foot (Back) *
- x2 Pied en forme d'ogignon (Arrière)
- x2 Pata redonda (Trasera)

- x1 Center leg *
- x1 Pattes centrales
- x1 Patas centrales



F



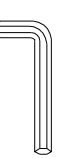
G



H



I

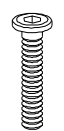


J

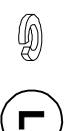
- x2 Mending Plate *
- x2 Plaque de fixation
- x2 Placas de unión
- x4 Allen bolt Ø5/16" *1-3/4"
- x4 Vis à tête creuse hexagonale Ø5/16" *1-3/4"
- x4 Perno Allen Ø5/16" *1-3/4"

- x4 Lock washer Ø5/16" *Ø12*3mm *
- x4 Rondelle de blocage Ø5/16" *Ø12*3mm
- x4 Arandela de Seguridad Ø5/16" *Ø12*3mm

- x4 Flat Washer Ø5/16" x19x2mm *
- x4 Rondelle plate Ø5/16" x19x2mm
- x4 Arandela plana Ø5/16" x19x2mm
- x1 Allen Key 4mm *
- x1 Clé hexagonale 4mm
- x1 Llave Allen 4mm



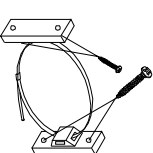
K



L



M



N

- x4 Allen bolt Ø1/4" *3/4"
- x4 Vis à tête creuse hexagonale Ø1/4" *3/4"
- x4 Perno Allen Ø1/4" *3/4"

- x4 Lock washer Ø1/4" *Ø12*3mm *
- x4 Rondelle de blocage Ø1/4" *Ø12*3mm
- x4 Arandela de Seguridad Ø1/4" *Ø12*3mm

- x4 Flat Washer Ø1/4" x19x2mm *
- x4 Rondelle plate Ø1/4" x19x2mm
- x4 Arandela plana Ø1/4" x19x2mm

- x1 Tipping restraint *
- x1 Liste des pièces de quincaillerie antibasculement
- x1 Abrazadera antivuelco

*Replaceable Part

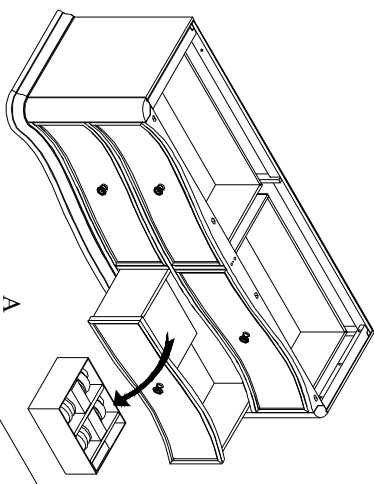


ASSEMBLY INSTRUCTIONS/ NOTICE DE MONTAGE/ INSTRUCCIONES DE MONTAJE
 ITEM NO./ARTICLE NO./ARTICULO NO.: P293127/P293128
 DESCRIPTION/ LA DESCRIPTION/ DESCRIPCIÓN: Master Chest Base/Base de Commode/Base de Cômoda
 Master Chest Deck/Commode (Partie supérieure)/Còmoda (Parte superior)

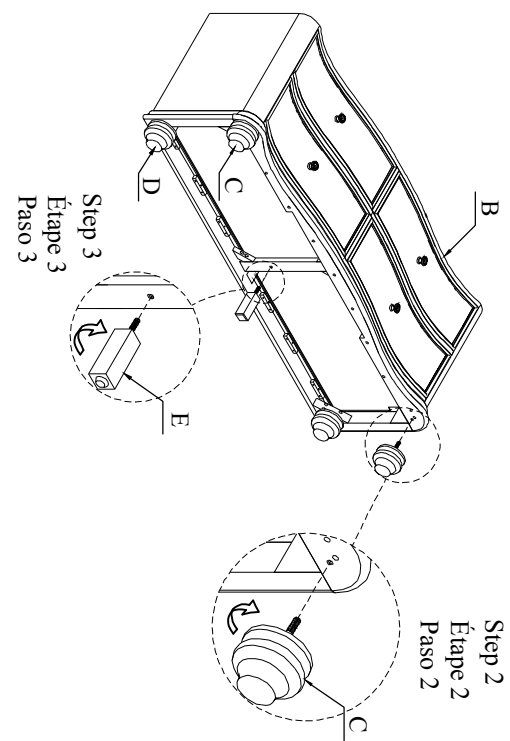
⚠ WARNING
 Children have died from furniture tipover. To reduce the risk of furniture tipover:

- ALWAYS install tipover restraint provided.
- NEVER put a TV on this product.
- NEVER allow children to stand, climb or hang on drawers, doors, or shelves.
- NEVER open more than one drawer at a time.
- Place heaviest items in the lowest drawers.

This is a permanent label. Do not remove!

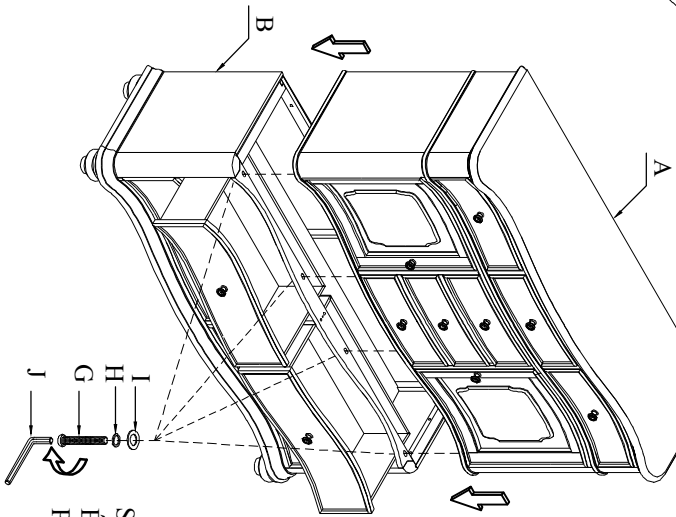


Step 1
Étape 1
Paso 1

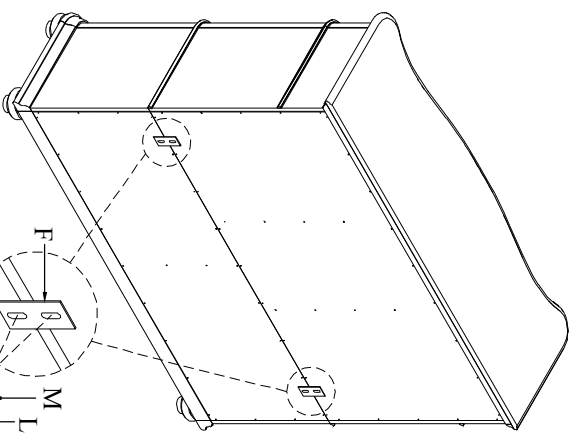


Step 2
Étape 2
Paso 2

Step 3
Étape 3
Paso 3



Step 4
Étape 4
Paso 4



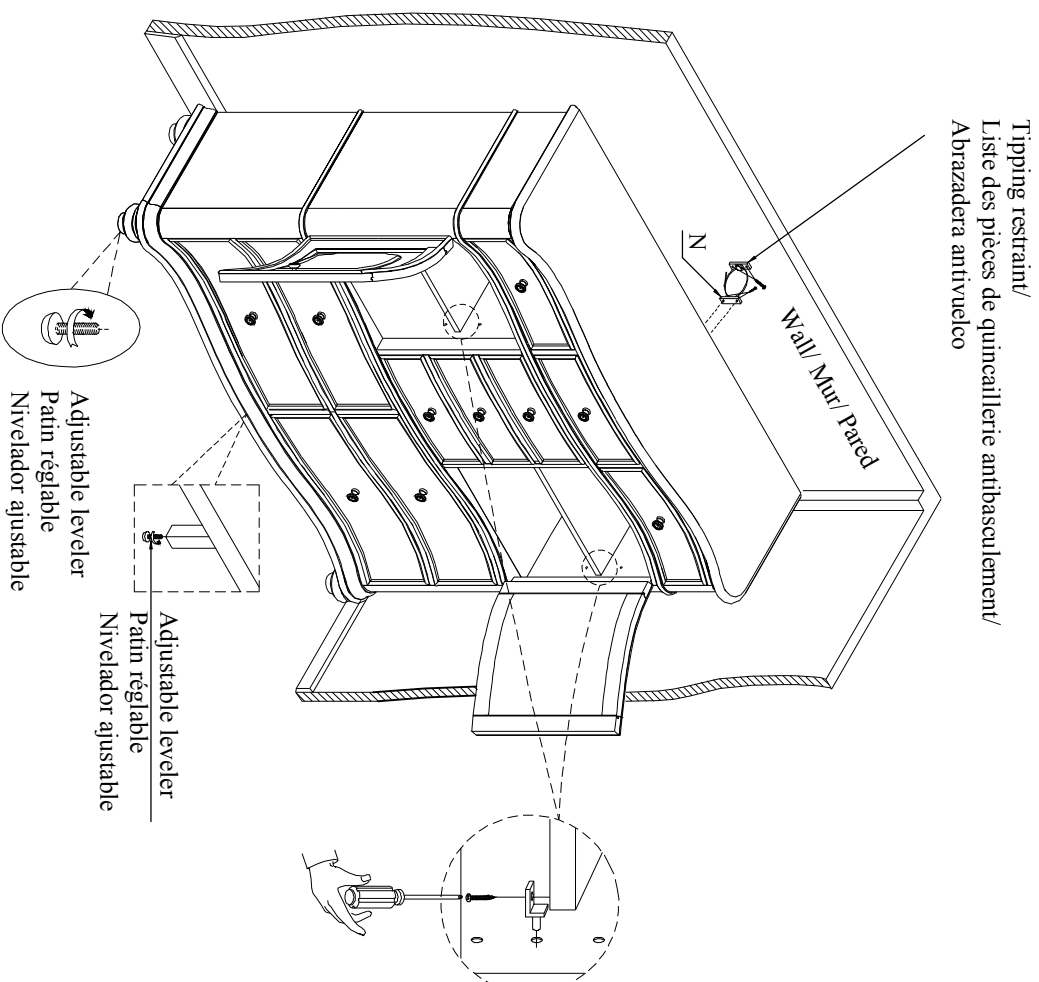
Step 5
Étape 5
Paso 5

*Replaceable Part

ASSEMBLY INSTRUCTIONS/ NOTICE DE MONTAGE/ INSTRUCCIONES DE MONTAJE
ITEM NO./ARTICLE NO./ARTICULO NO: P293127/P293128

DESCRIPTION/ LA DESCRIPTION/ DESCRIPCIÓN: Master Chest Base/Base de Commode/Base de Cómoda
Master Chest Deck/Commode (Partie supérieure)/Cómoda (Parte superior)

	⚠ WARNING Children have died from furniture tipover. To reduce the risk of furniture tipover : <ul style="list-style-type: none">• ALWAYS install tipover restraint provided;• NEVER put a TV on this product;• NEVER allow children to stand, climb or hang on drawers, doors, or shelves;• NEVER open more than one drawer at a time;• Place heaviest items in the lowest drawers. <i>This is a permanent label. Do not remove!</i>
	



*Replaceable Part



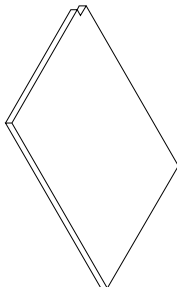
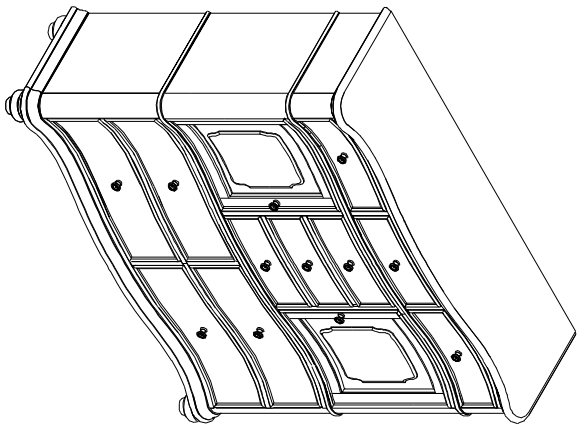
REPLACEABLE PART / PARTIE REMPLAÇABLE / PARTE REMPLAZABLE

ITEM NO./ARTICLE NO./ARTICULO NO: P293127/P293128

DESCRIPTION/ LA DESCRIPTION/ DESCRIPCIÓN: Master Chest Base/Base de Commode/Base de cómoda

Master Chest Deck/Commode (Partie supérieure)/Cómoda (Parte superior)

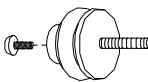
WARNING
<p>Children have died from furniture tipover. To reduce the risk of furniture tipover :</p> <ul style="list-style-type: none"> • ALWAYS install tipover restraint provided. • NEVER put a TV on this product. • NEVER allow children to stand, climb or hang on drawers, doors, or shelves. • NEVER open more than one drawer at a time. • Place heaviest items in the lowest drawers.
<p>This is a permanent label. Do not remove!</p>



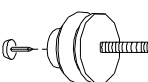
RP293128-SHELF *
 x2 Adjustable Shelf
 x2 Étagère réglable
 x2 Estante ajustable



RP293128-SUPP *
 x8 Shelf Support
 x8 Supports Pour l'atletie
 x2 Sopoorte De Las Repisas



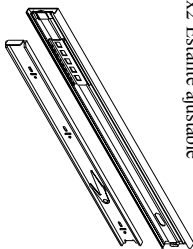
RP293127 FOOTF *
 x2 Bun Foot (Front)
 x2 Pied en forme d' oignon (Avant)
 x2 Pata redonda (Delantera)



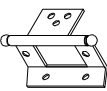
RP293127 FOOTB *
 x2 Bun Foot (Back)
 x2 Pied en forme d' oignon (Arrière)
 x2 Pata redonda (Trasera)



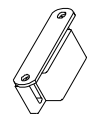
RP293127-CELEG *
 x1 Center Leg
 x1 Pattes centrales
 x1 Patas centrales



COMCLIDE-12-45 *
 x10 Common Drawer Glide
 x10 Glissière
 x10 Carril de deslizamiento



PR293128-HINGE *
 x4 Door Hinge
 x4 Charnière
 x4 Bisagra



RP293128 CATCH *
 x2 Door Catch
 x2 Catch de aimant
 x2 Captura de imán



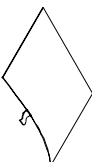
RP293-KNOBL *
 x4 Large Knob with Screw
 x4 Gros POIGNÉE et vis
 x4 TIRADOR grande y Tornillo



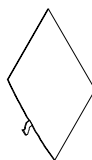
RP293-KNOBS *
 x8 Small Knob with Screw
 x8 Petit POIGNÉE et vis
 x8 TIRADOR pequena con Tornillo



RP293128-FELTL *
 x1 Left Removable Felt
 x1 Gauche Feutre
 x1 Izquierda Fieltro



RP293128-FELTR *
 x1 Right Removable Felt
 x1 Droite Feutre
 x1 Derecha Fieltro



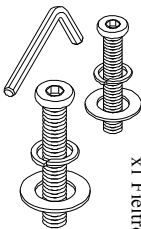
RP293128-FELTM *
 x1 Middle Removable Felt
 x1 Feutre centrale
 x1 Fieltro centrales



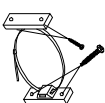
RC-WH-NAIL *
 x2 Plastic Nail
 x2 Clou
 x2 Clavo



RP293128-PLATE *
 x2 Mending Plate
 x2 Plaque de fixation
 x2 Placas de unión



RP304128-HWKIT *
 x1 Hardware Kit
 x1 Liste des pièces de quincaillerie
 x1 Lista del kit de materiales



RC-ANTI-TTP *
 x1 Anti-tipping Restraint
 x1 Liste des pièces de quincaillerie antibasculement
 x1 Lista del kit de materiales antivuelco

*Replaceable Part