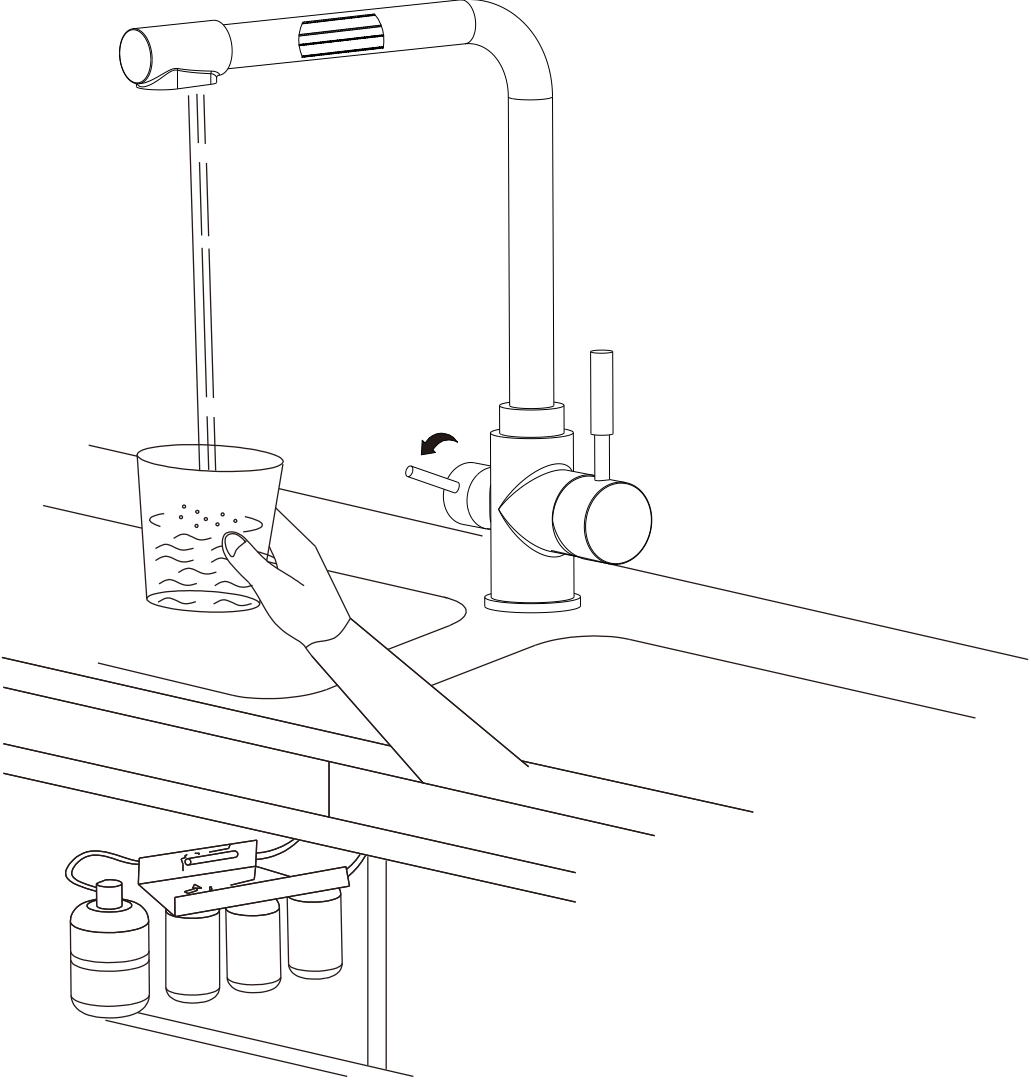
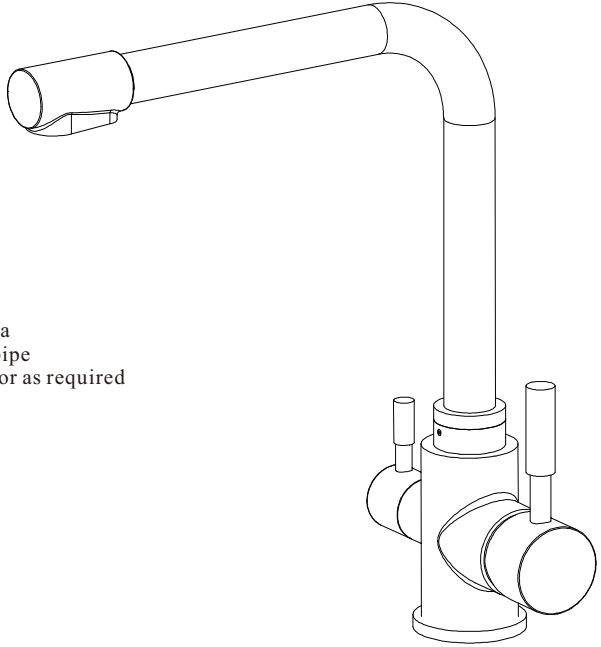


Three Way Kitchen Faucet



Installation Instruction

Three Way Kitchen Faucet



Specification

1. Material: 304 Stainless steel
2. Ceramic valve cartridge
3. Flow rated: 2.2G/M base on 0.5Mpa
4. 1/4" Connector for filtered water pipe
5. G-3/8 or G-1/2 Hose pipe connector as required

Installing tools

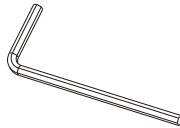
- * Allen wrench (2.5mm)
- * Pipe tape
- * Monkey wrench



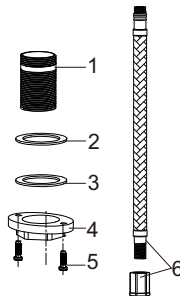
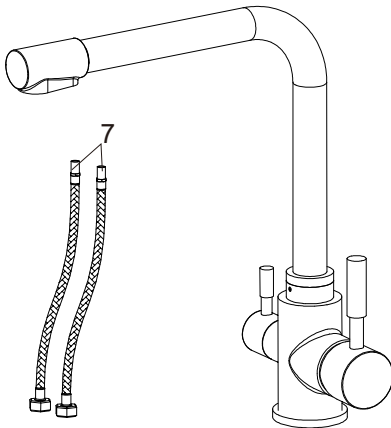
Allen wrench (2.5mm)



Pipe tape



Monkey wrench

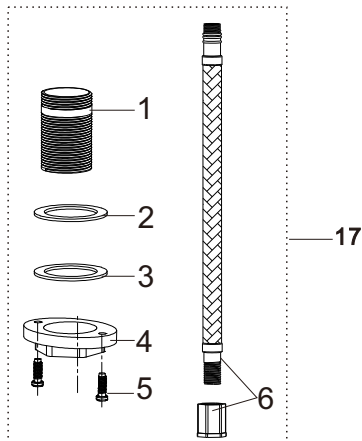
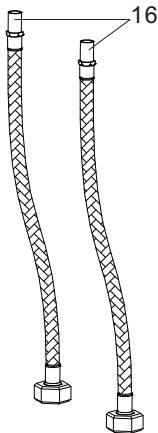
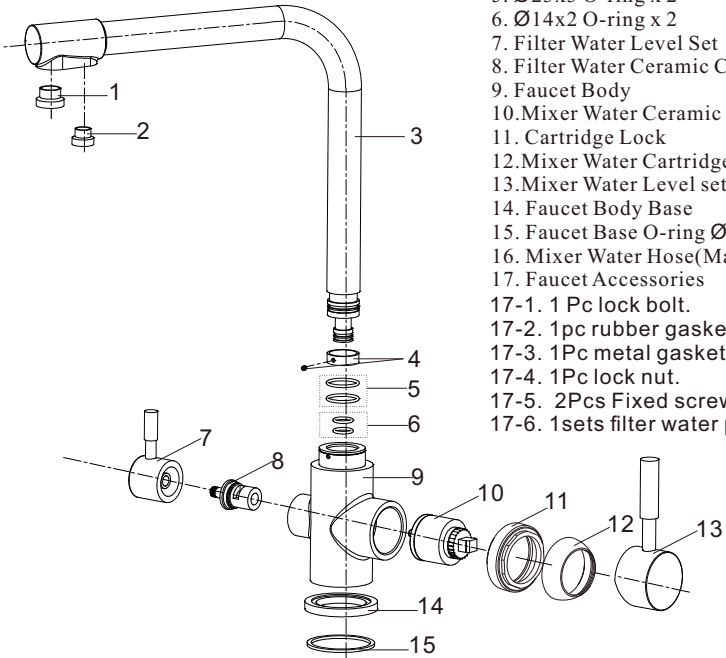


Accessories

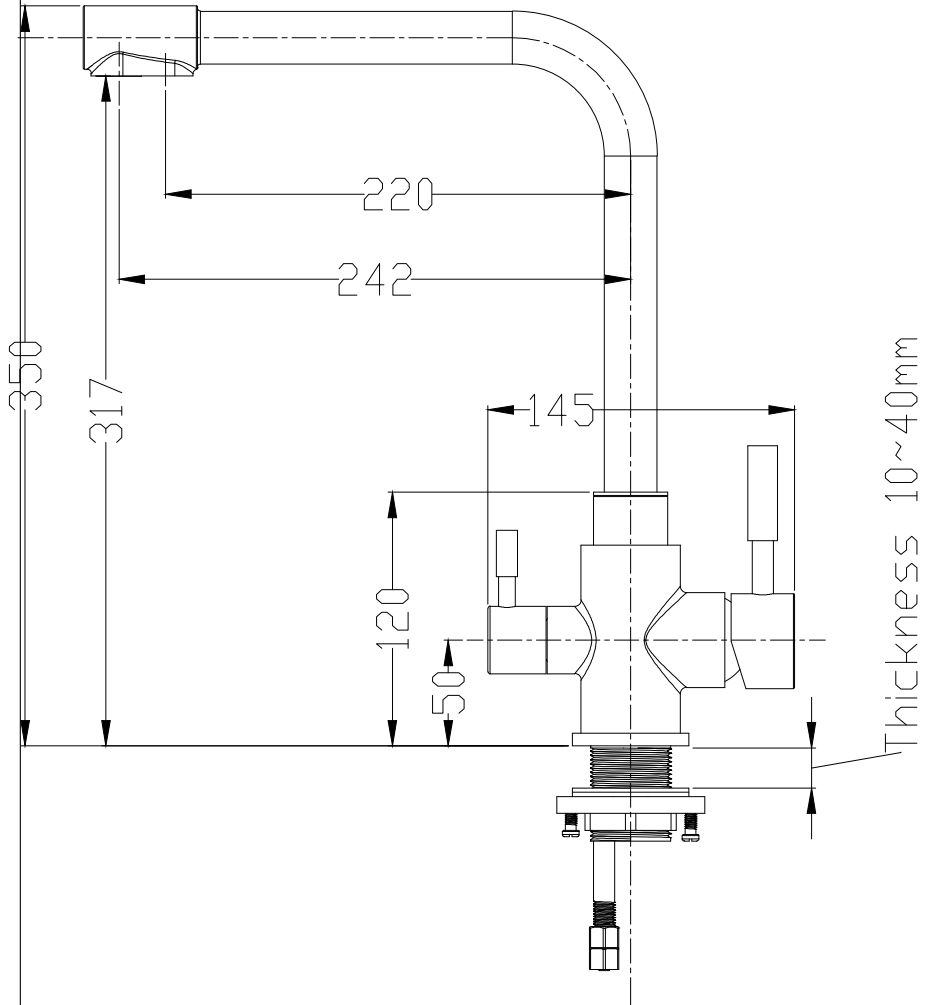
1. 1 Pc lock bolt.
2. 1pc rubber gasket.
3. 1Pc metal gasket.
4. 1Pc lock nut.
5. 2Pcs Fixed screw.
6. 1sets filter water pipe and a plastic adapter.
7. 2Pcs hot and cold 600mm hoses.

Replacement Parts

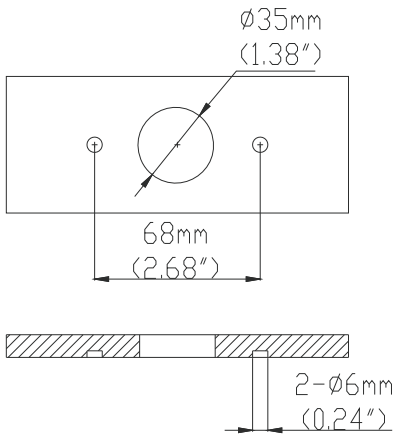
1. Mixer Water Aerator
2. Filter Water Aerator
3. Spout Assembly
4. Spout Assembly Lock Ring set
5. $\text{\O}23 \times 3$ O-ring x 2
6. $\text{\O}14 \times 2$ O-ring x 2
7. Filter Water Level Set
8. Filter Water Ceramic Cartridge
9. Faucet Body
10. Mixer Water Ceramic Cartridge
11. Cartridge Lock
12. Mixer Water Cartridge Cover
13. Mixer Water Level set
14. Faucet Body Base
15. Faucet Base O-ring $\text{\O}42 \times 2.5$
16. Mixer Water Hose (Maybe not included)
17. Faucet Accessories
- 17-1. 1 Pc lock bolt.
- 17-2. 1pc rubber gasket.
- 17-3. 1Pc metal gasket.
- 17-4. 1Pc lock nut.
- 17-5. 2Pcs Fixed screw.
- 17-6. 1sets filter water pipe and a plastic adapter.



Profile Drawing

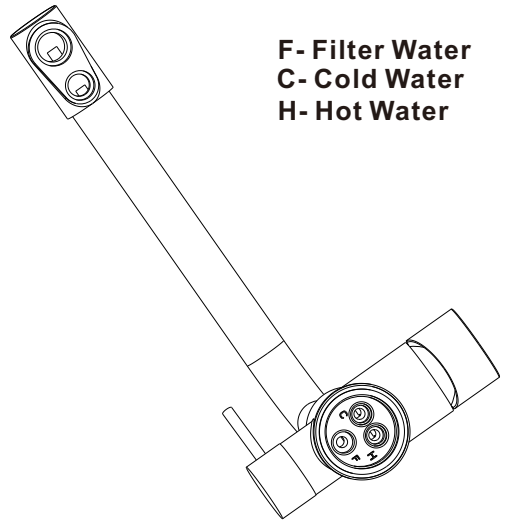


Faucet Installation Procedures



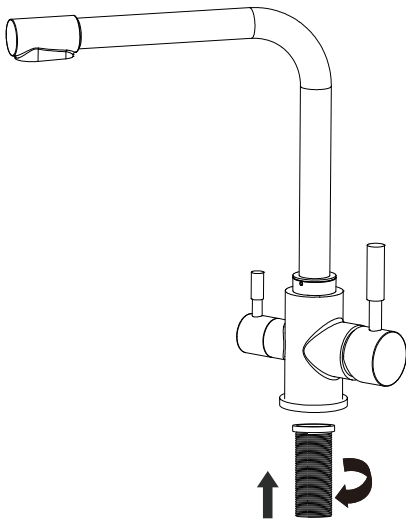
Step ①

Please be notice Filter water/cold/hot water position "mark"



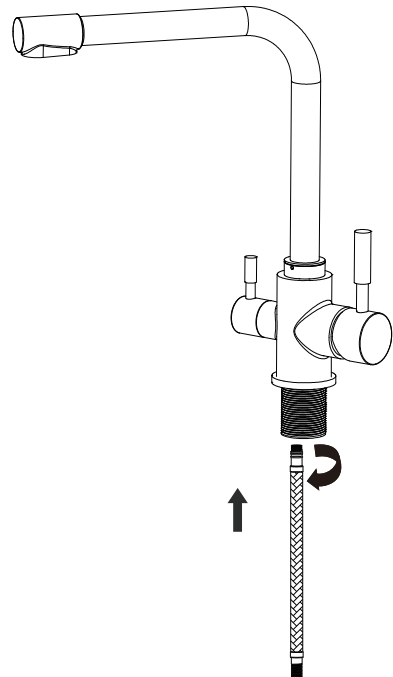
Step ②

Fixed Lock bolt before installing on countertop

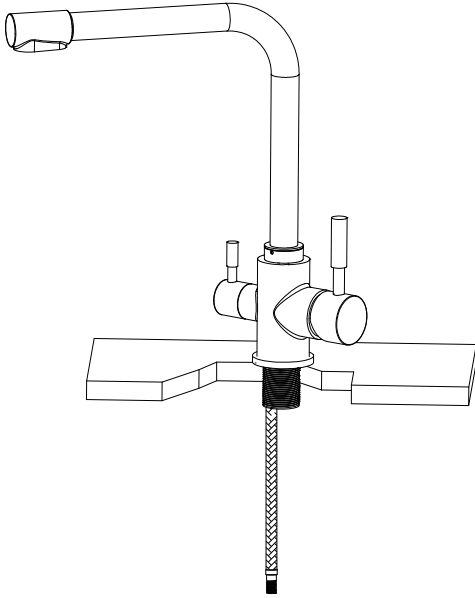


Step ③

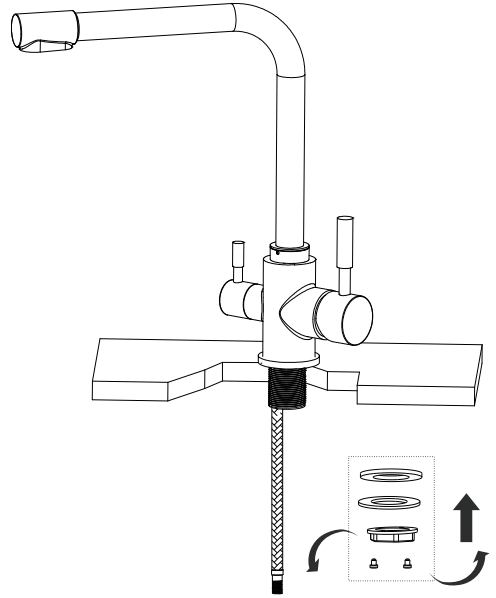
Then connected filter water pipe



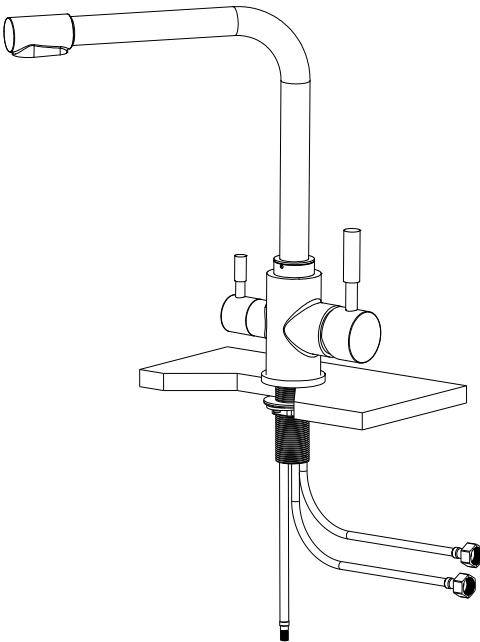
Step ④



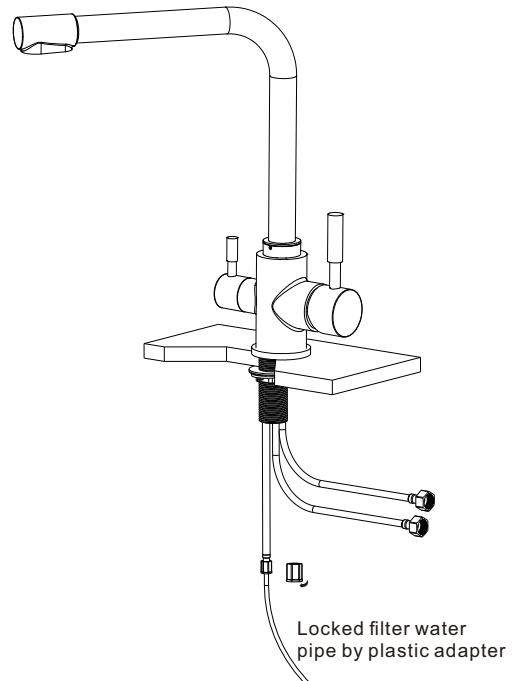
Step ⑤



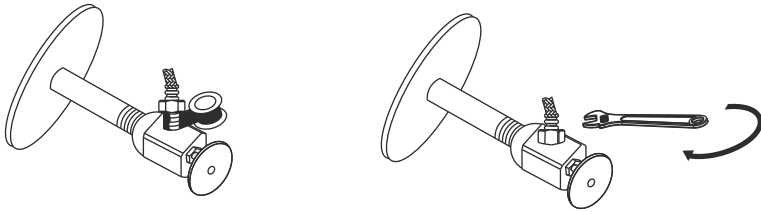
Step ⑥



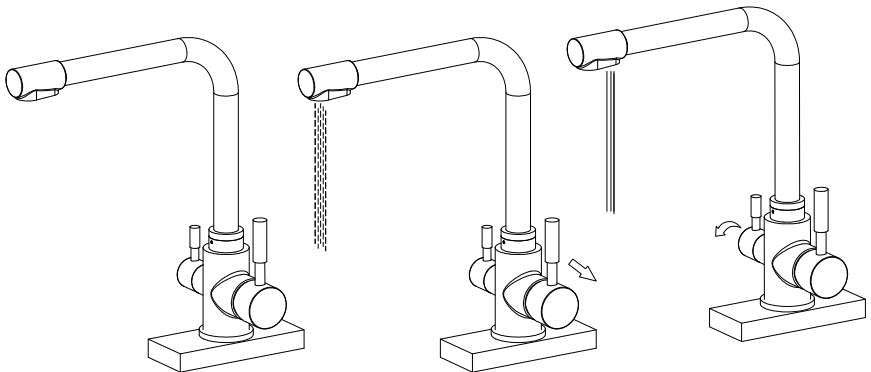
Step ⑦



Step ⑧



Step ⑨



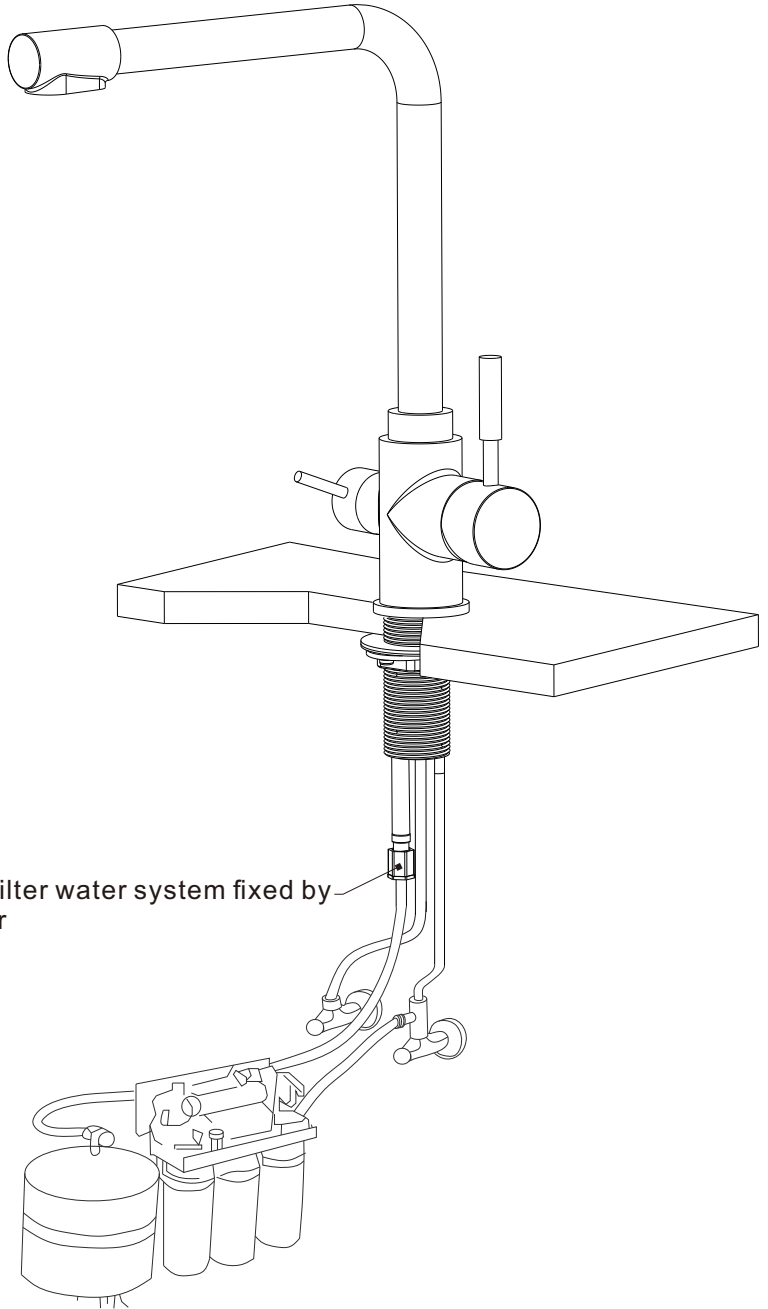
Notice

Please removal all the sand, silt etc. anything maybe block the cartridge before fixed to your kitchen Counter top. If the faucet cannot work, please send to a qualified person to repair it

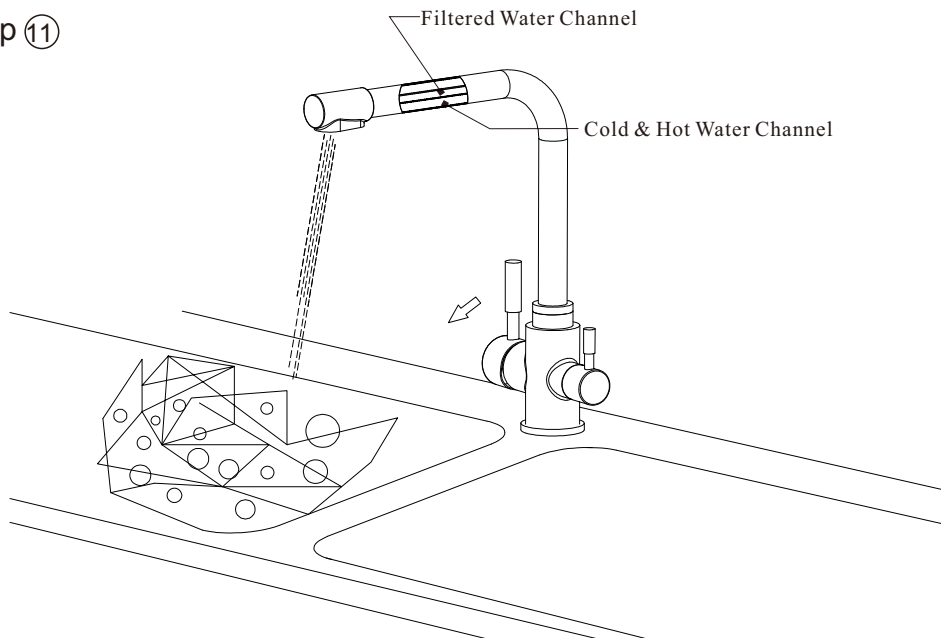
Bemerkung :

Sorgen Sie bitte dafür, dass auch das Leitungswasser frei von Sedimenten ist, die sich in der , Kartusche absetzen und die Funktion stören könnten. Im Falle einer Blockierung die Kartusche raus schrauben und unter starkem Wasserstrahl reinigen.

Step ⑩



Step 11



Step 12

