

Owner Manual

Before Assembly

Please read the USER MANUAL thoroughly for quick assembly, and check according to Accessories.



Team Installation:

For larger product, we recommend that you install the product together with other people



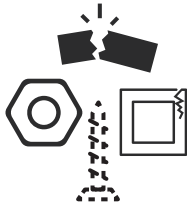
Laying Protection:

To protect the product and your flooring during installation, please lay protection before installation



No Electric Drill:

For longer use, please use the installation tools supplied with the product.



Missing Parts or Broken:

Please feel free to contact us via Orders or Customer Support Email. We promise to ship the missing or replacement parts to you free of charge.

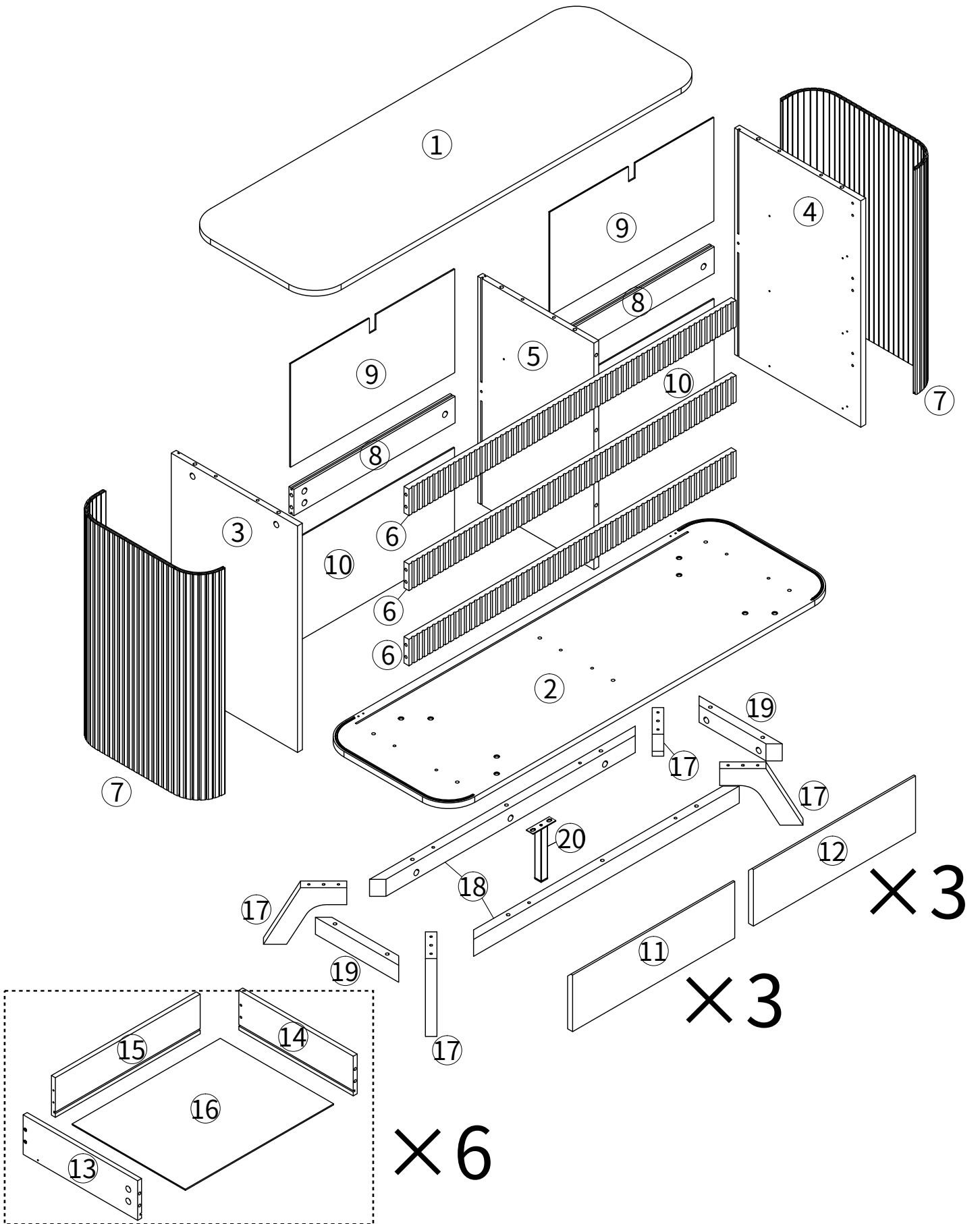


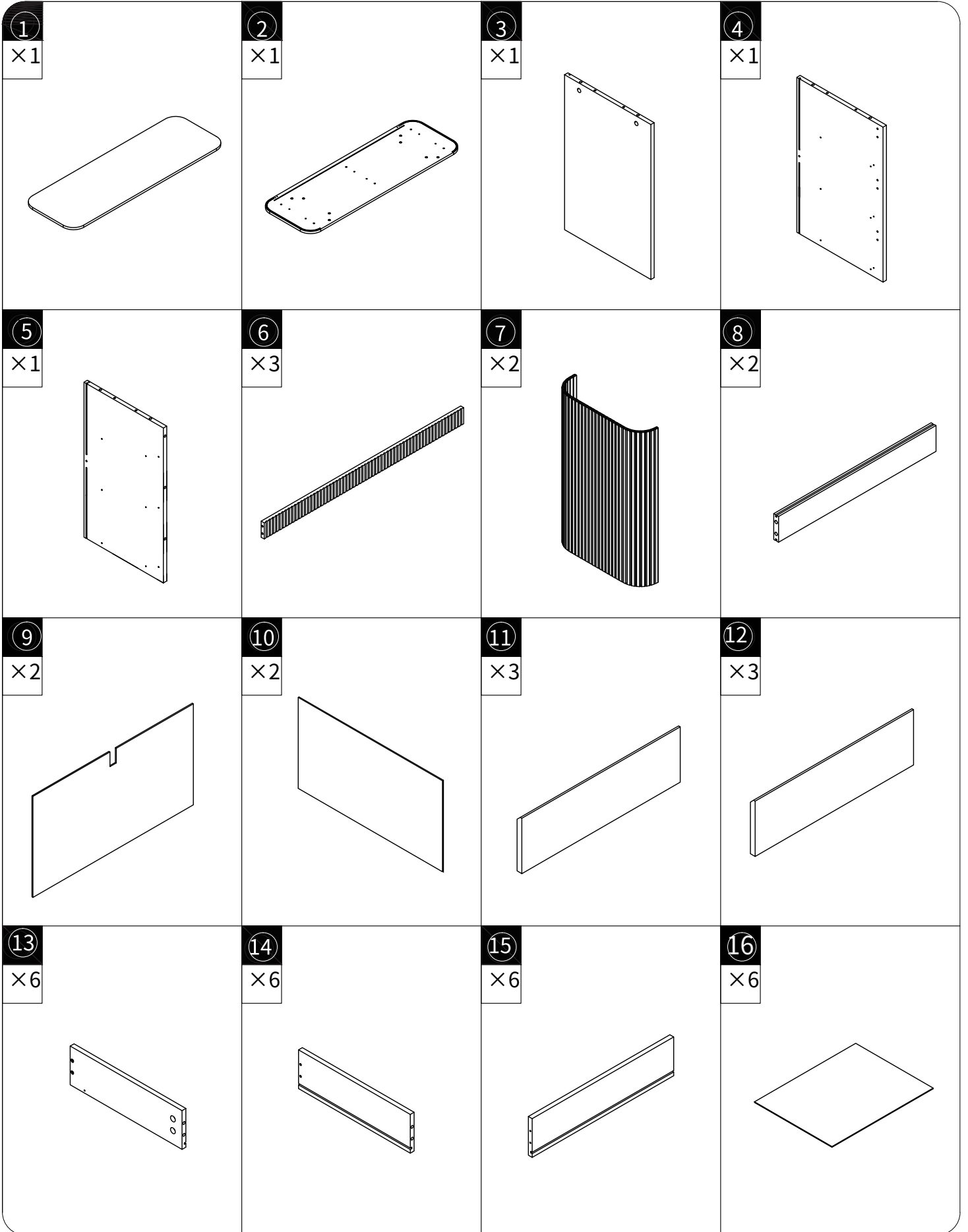
Any questions?

Please do not hesitate to contact us!



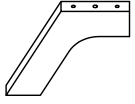
Disassembly Diagram





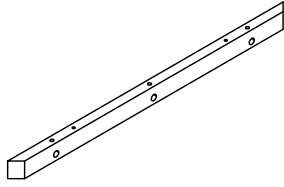
17

×4



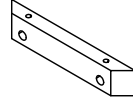
18

×2



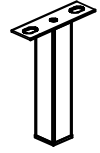
19

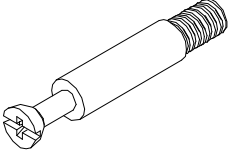
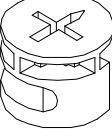

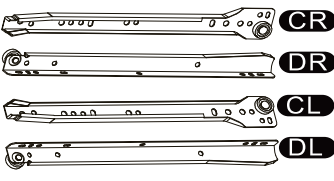
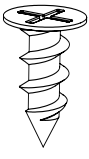
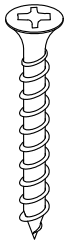
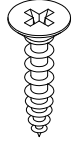
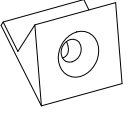

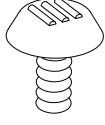
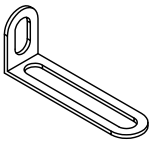
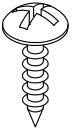
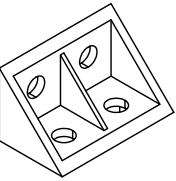
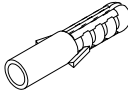
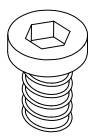
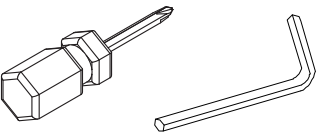
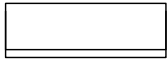
×2



20

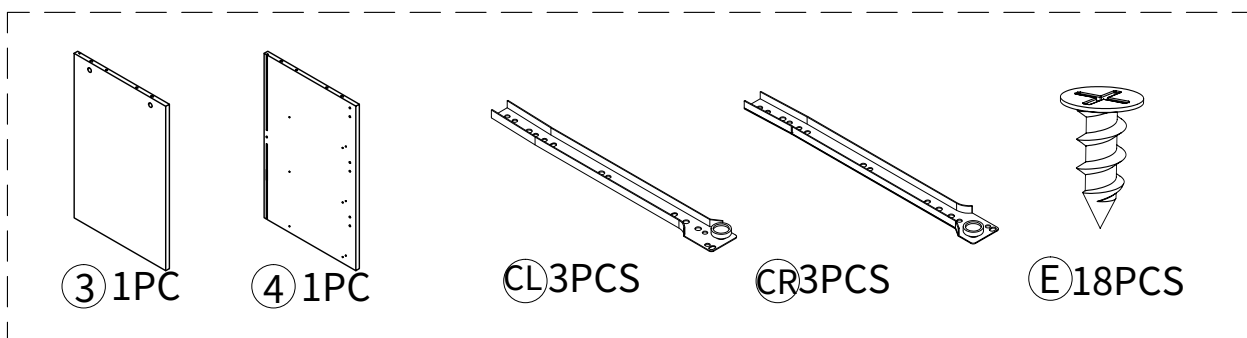
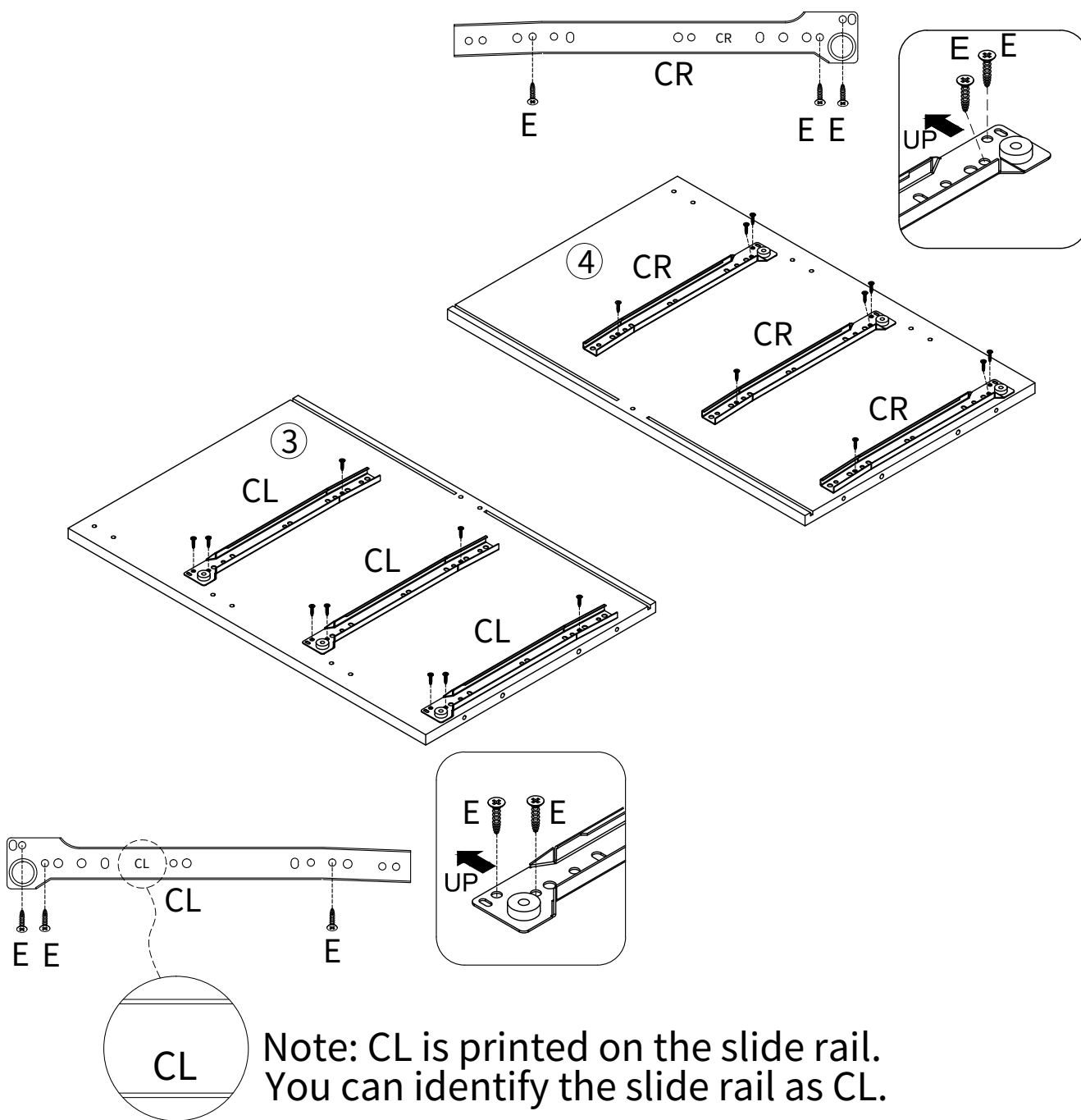
×1



<p>A ×61</p>  <p>M6×35mm</p>	<p>B ×61</p>  <p>Ø15×10mm</p>	<p>C ×20</p>  <p>Ø6×30mm</p>	<p>D ×6</p>  <p>300mm</p>
<p>E ×72</p>  <p>Ø4×10mm</p>	<p>F ×26</p>  <p>Ø4×35mm</p>	<p>G ×16</p>  <p>Ø3×14mm</p>	<p>H ×16</p> 
<p>J ×14</p>  <p>M7×50mm</p>	<p>K ×1</p>  <p>M6×Ø23×15mm</p>	<p>L ×2</p> 	<p>M ×6</p>  <p>Ø4×12mm</p>
<p>N ×2</p> 	<p>P ×2</p>  <p>M6×30mm</p>	<p>Q ×2</p>  <p>M6×12mm</p>	<p>R ×1</p>  <p>M4</p>
<p>S ×4</p>  <p>40×20×3mm</p>			

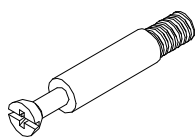
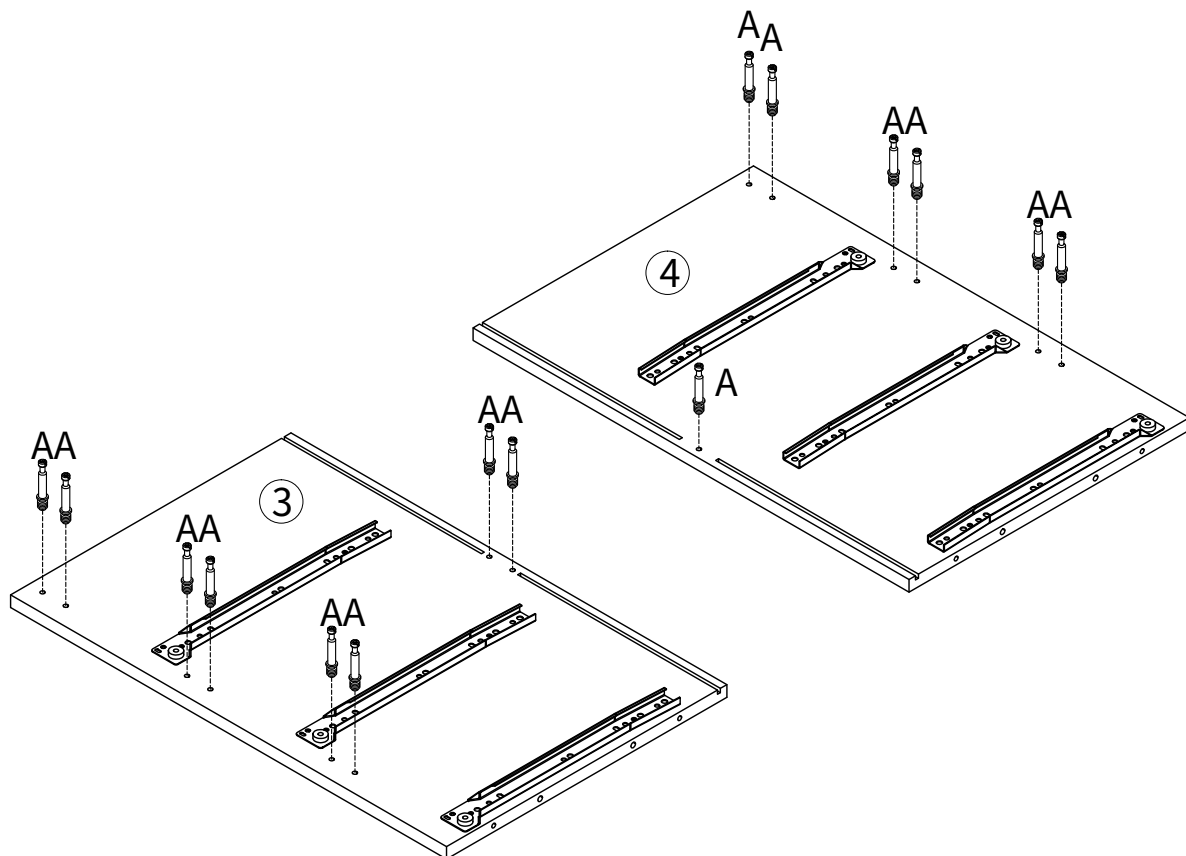
Assembly Instructions

Step1:



Assembly Instructions

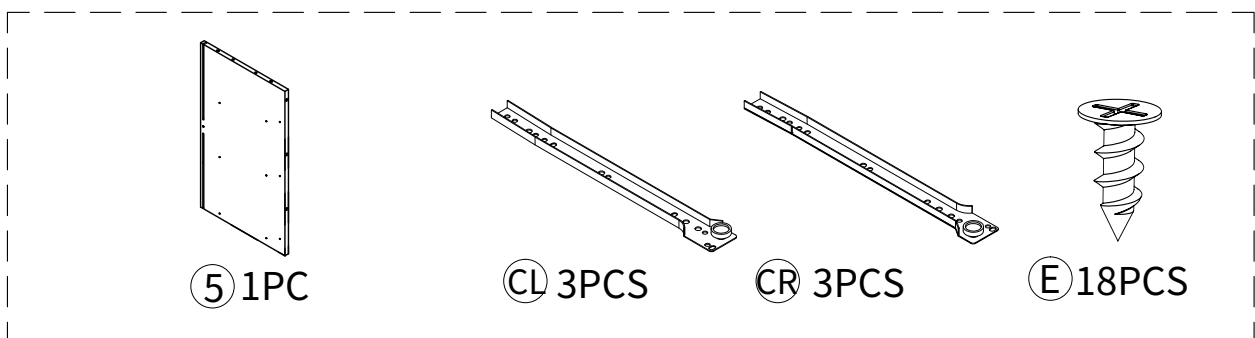
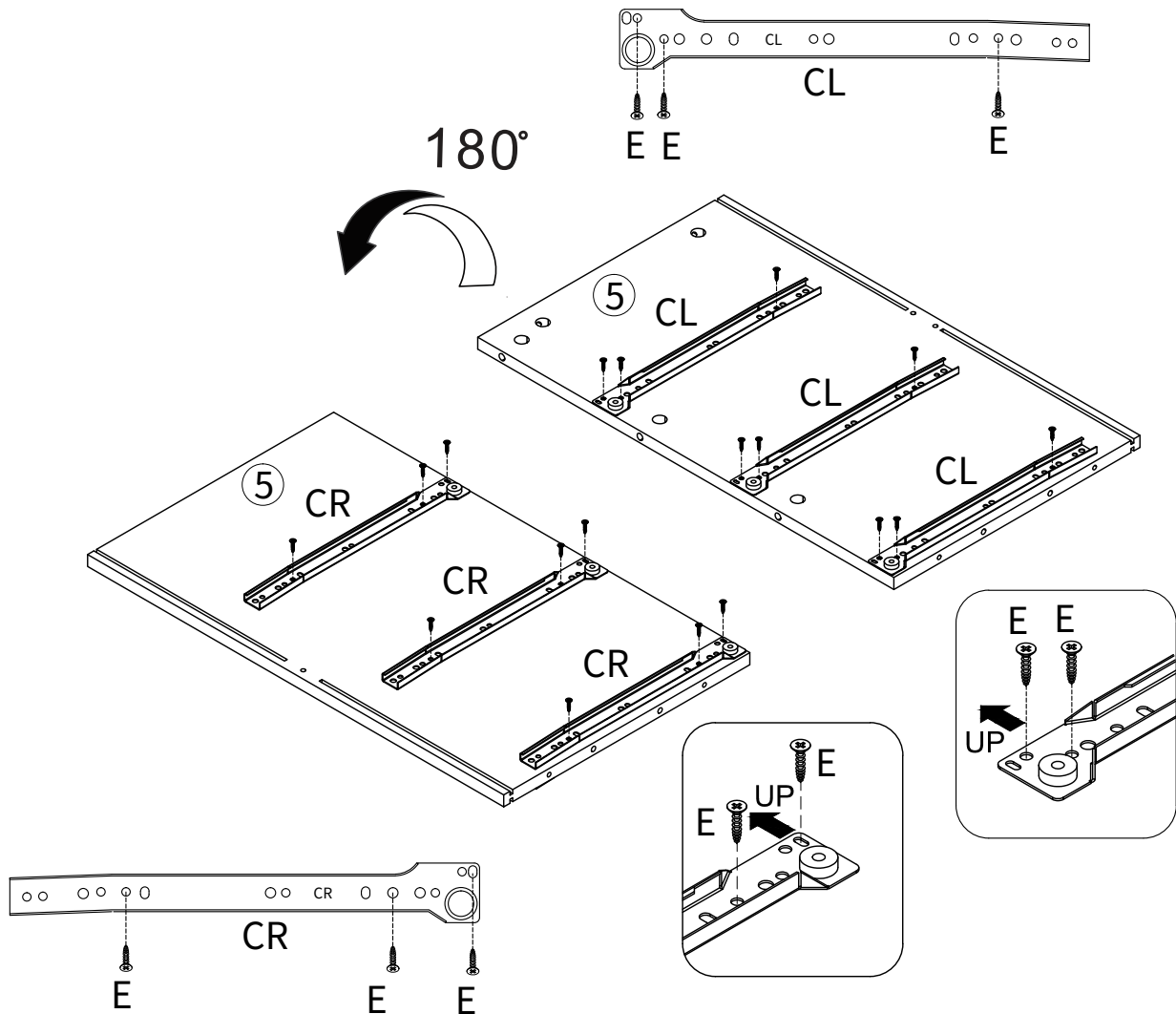
Step2:



Ⓐ 15PCS

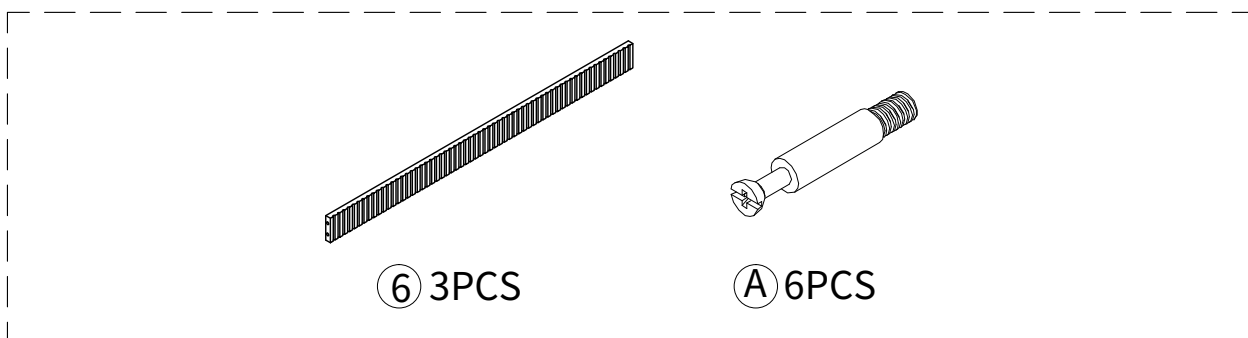
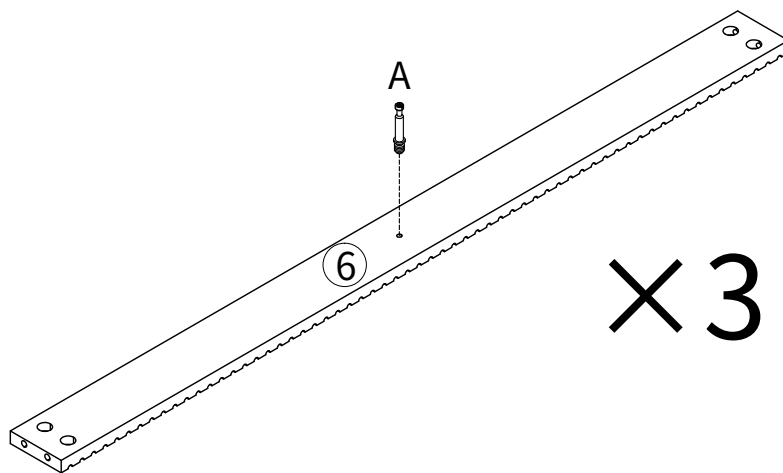
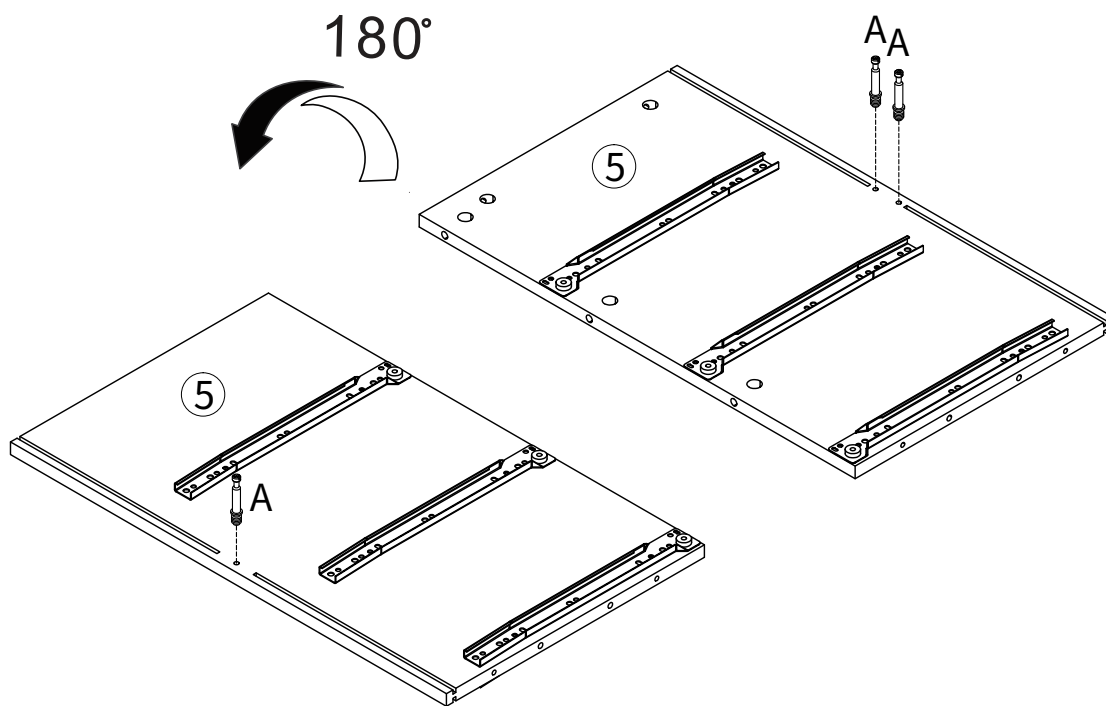
Assembly Instructions

Step3:



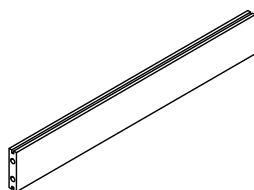
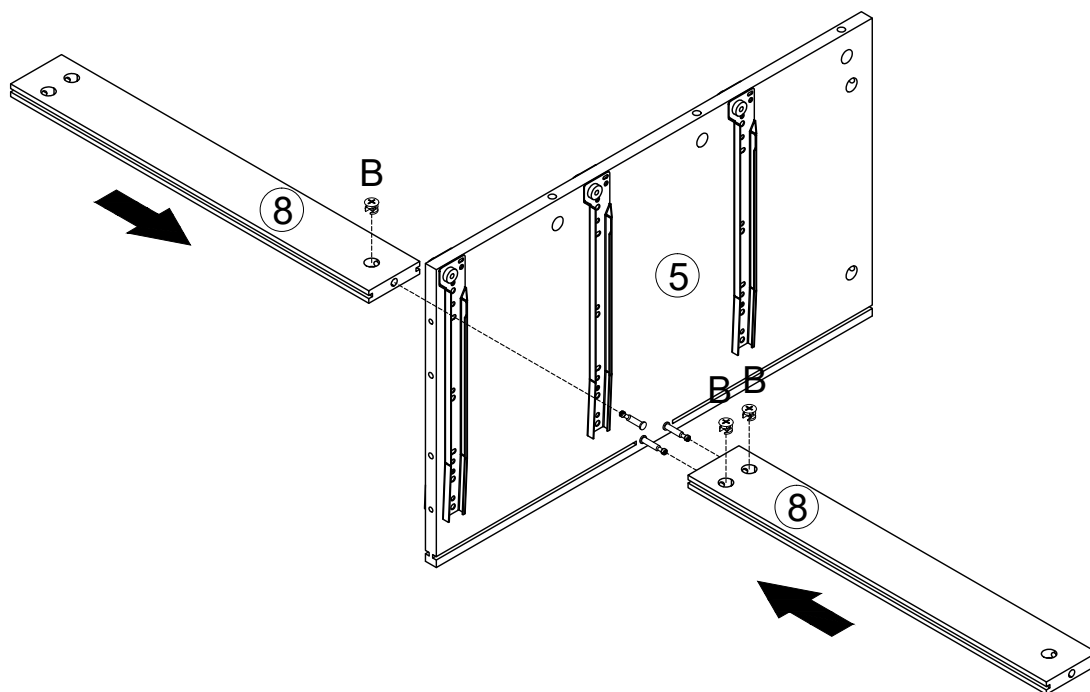
Assembly Instructions

Step4:

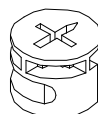


Assembly Instructions

Step5:



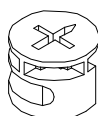
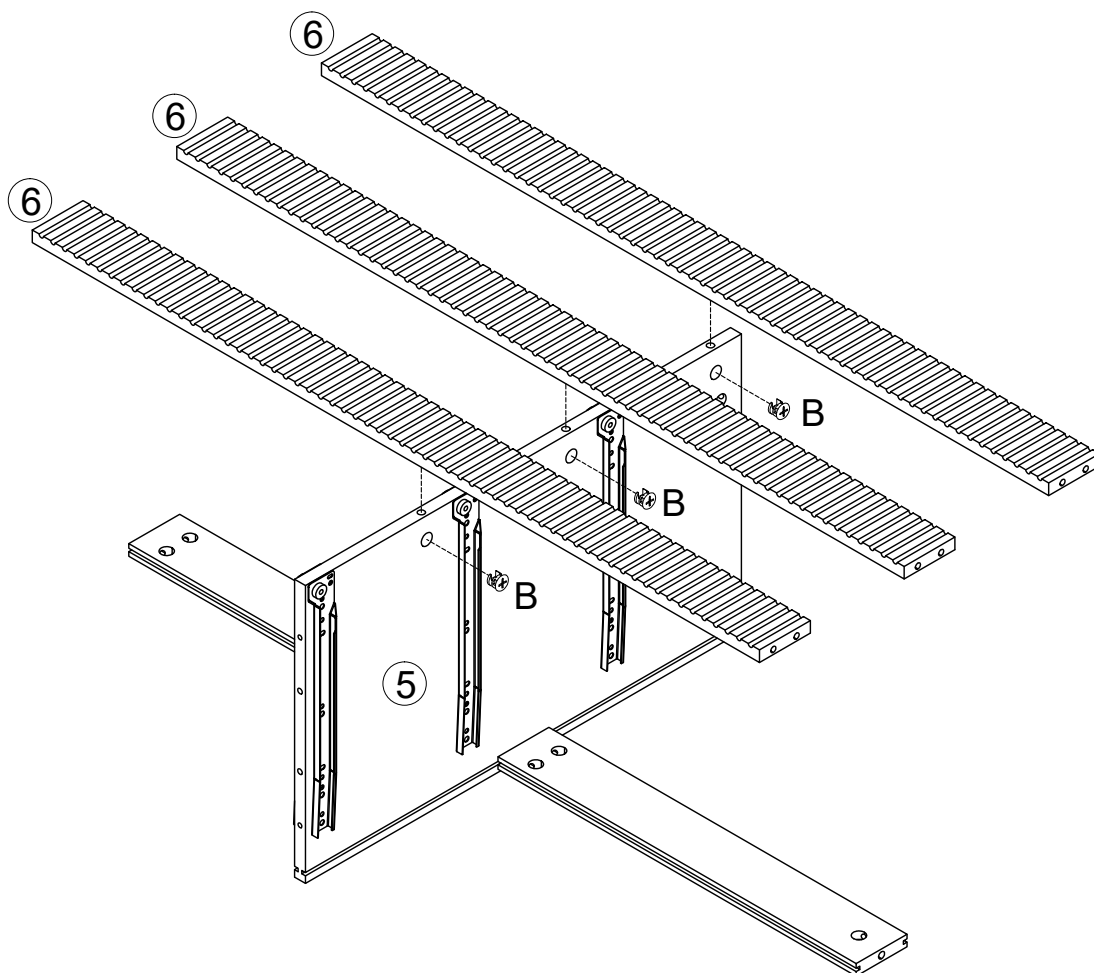
⑧ 2PCS



Ⓑ 3PCS

Assembly Instructions

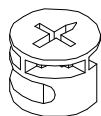
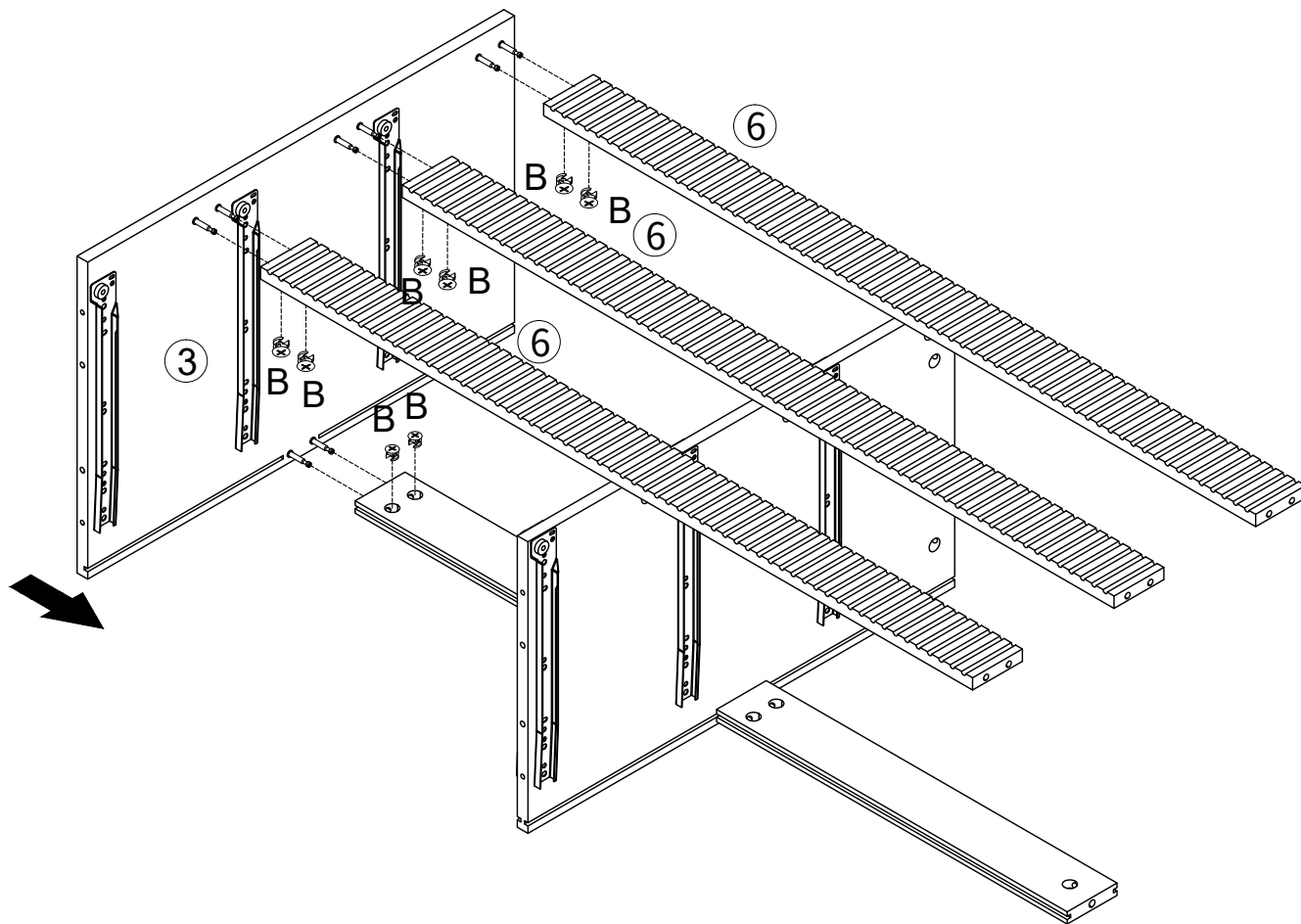
Step6:



Ⓑ 3PCS

Assembly Instructions

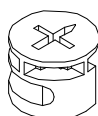
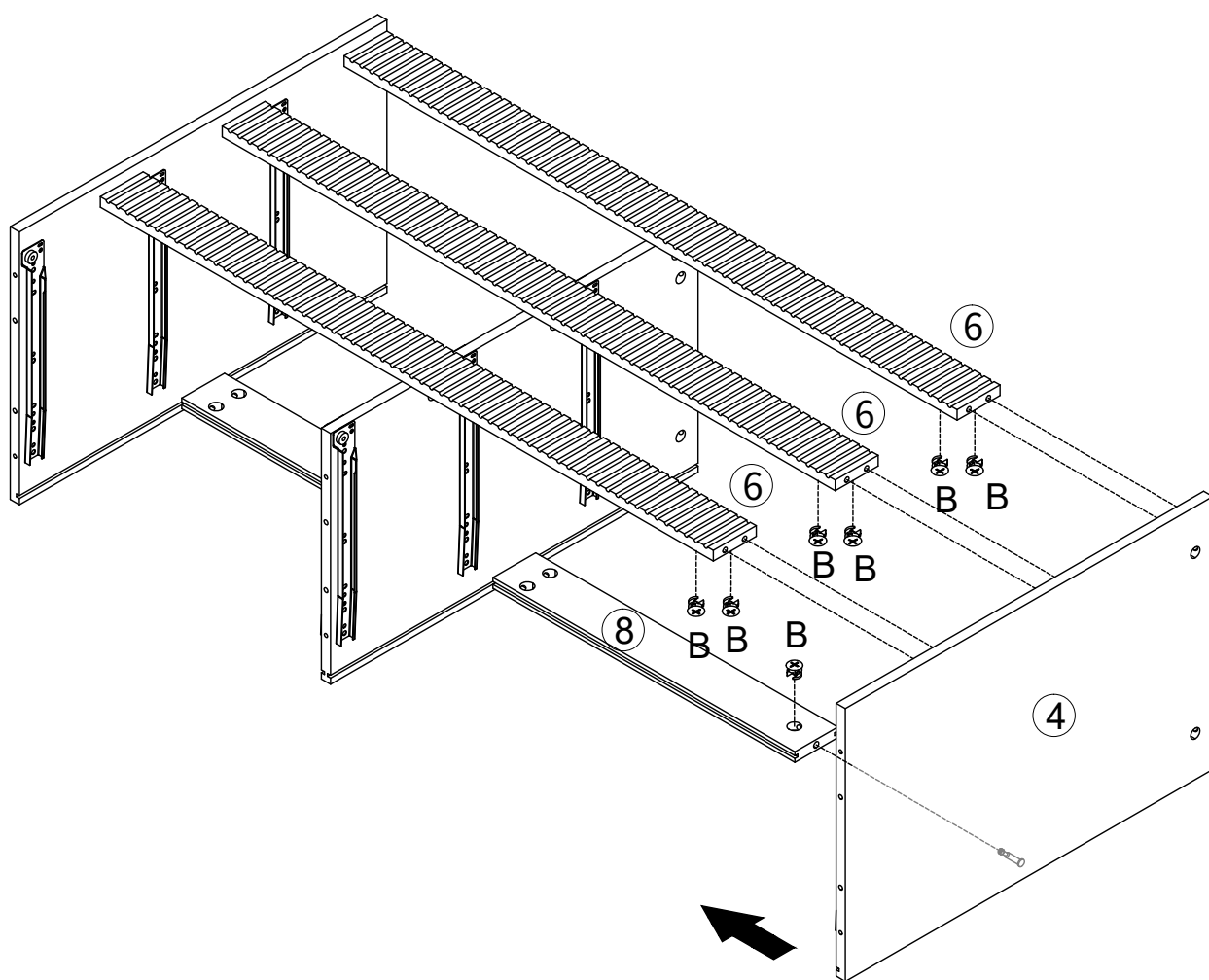
Step 7:



(B) 8PCS

Assembly Instructions

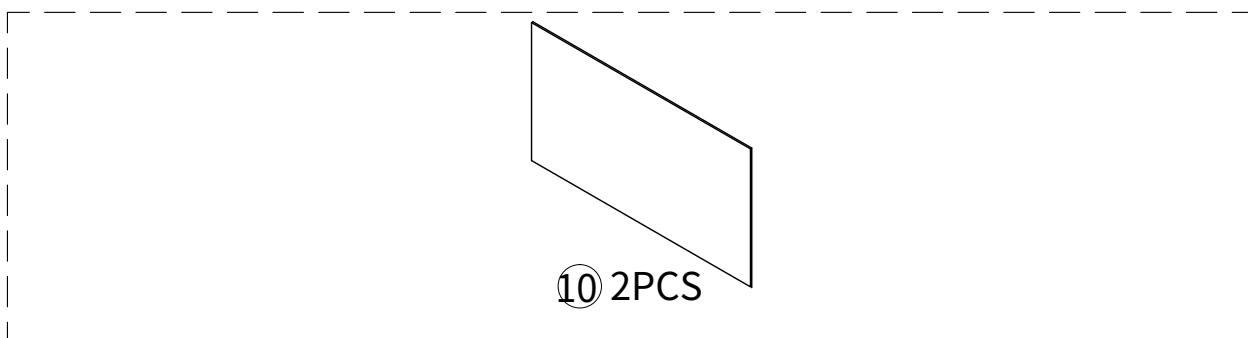
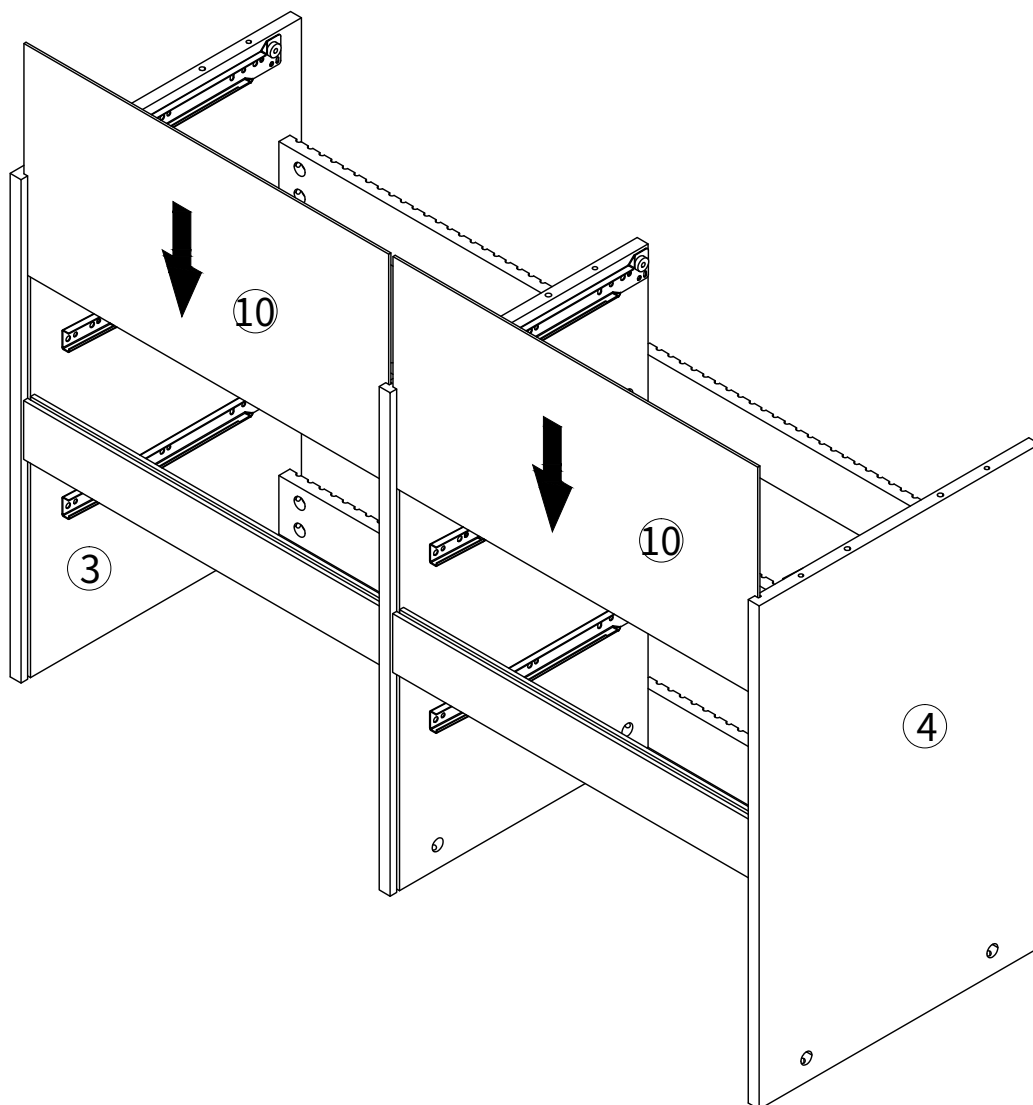
Step 8:



Ⓑ 7PCS

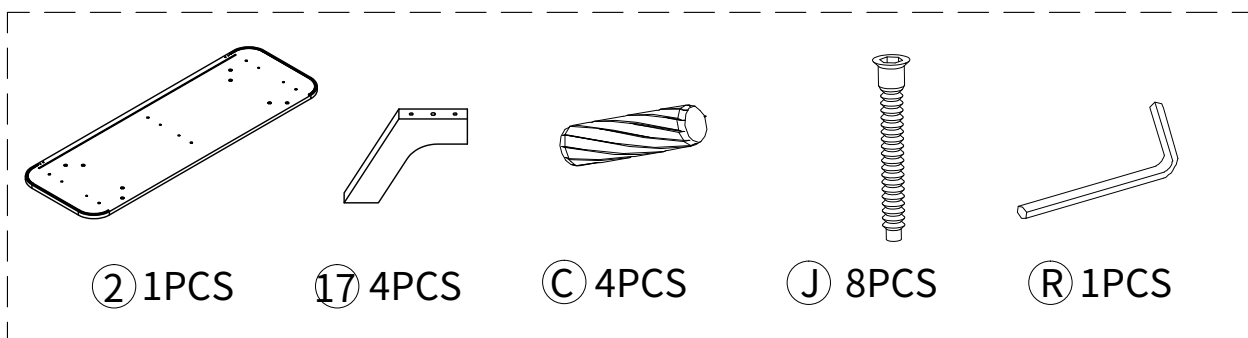
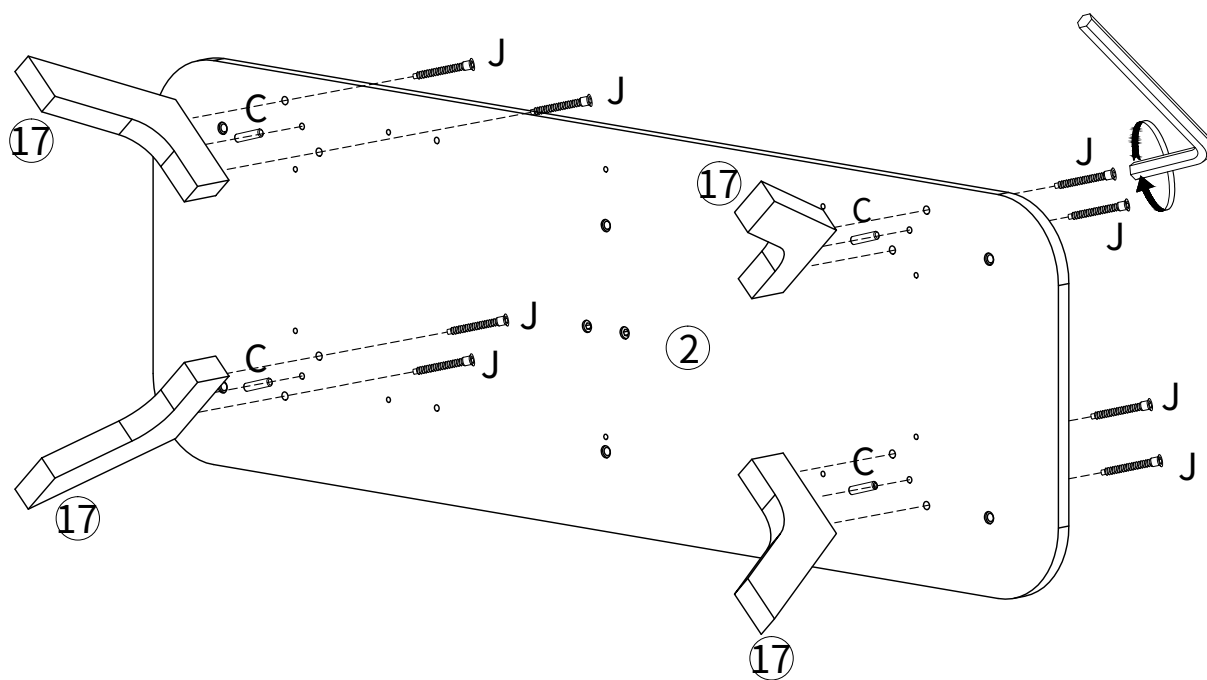
Assembly Instructions

Step 9:



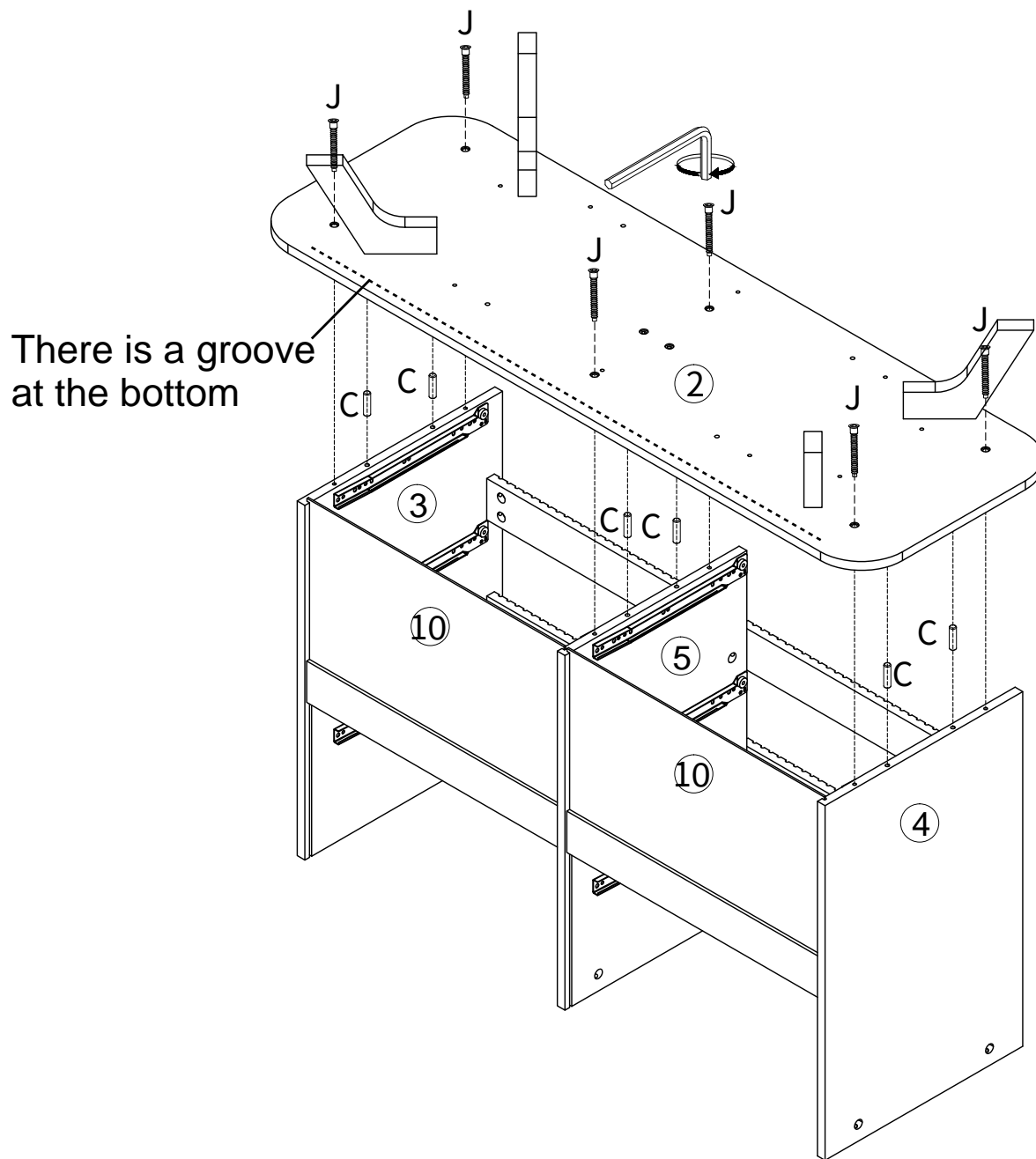
Assembly Instructions

Step 10:

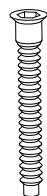


Assembly Instructions

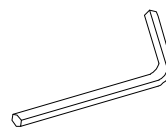
Step 11:



ⓐ 6PCS



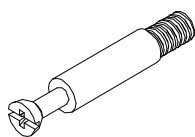
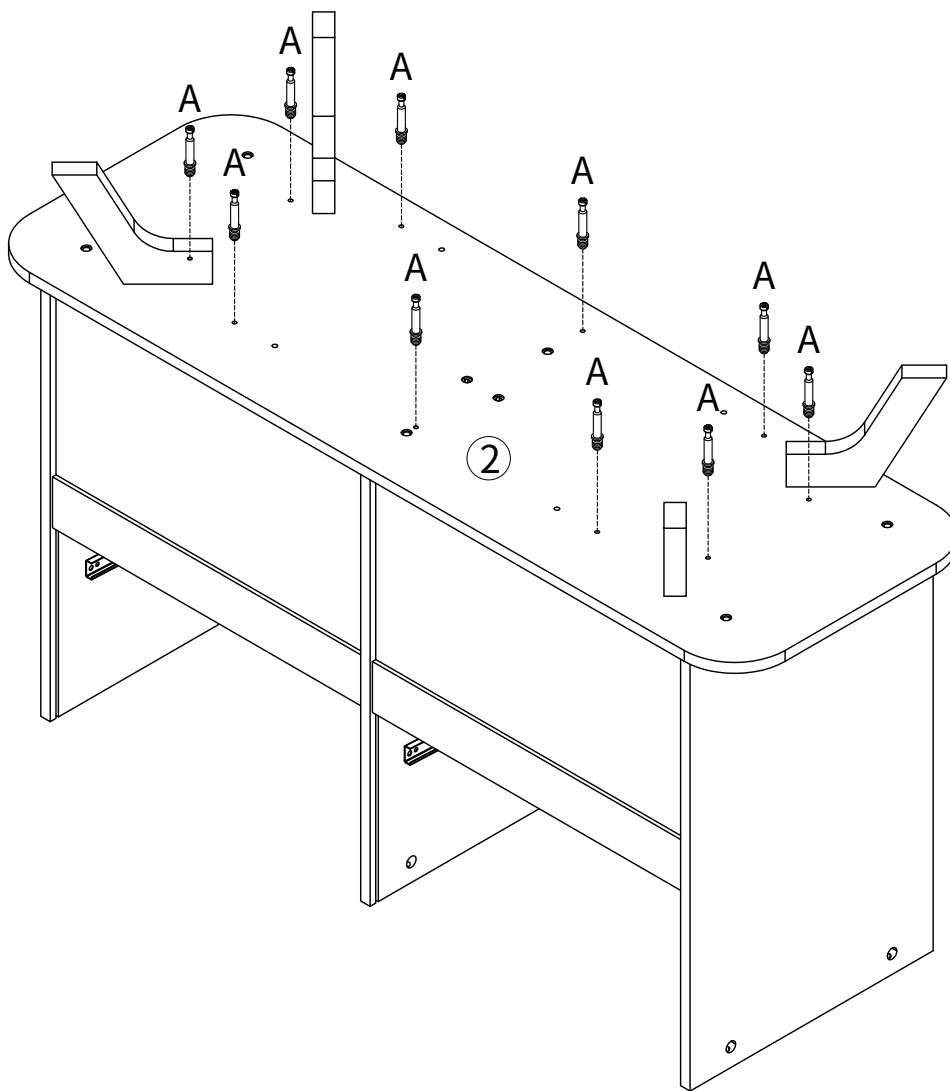
ⓑ 6PCS



Ⓒ 1PCS

Assembly Instructions

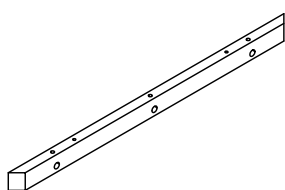
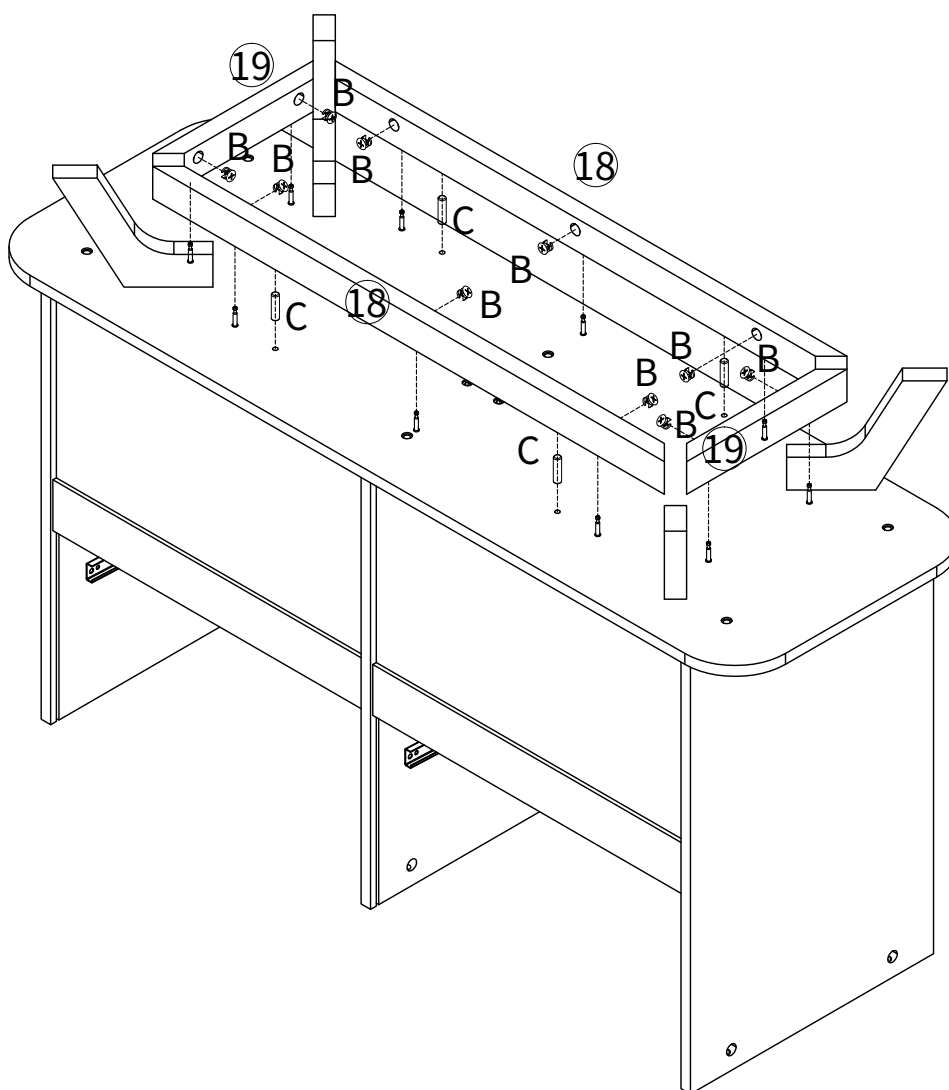
Step 12:



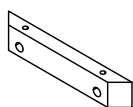
Ⓐ 10PCS

Assembly Instructions

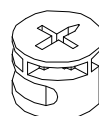
Step 13:



18 2PCS



19 2PCS



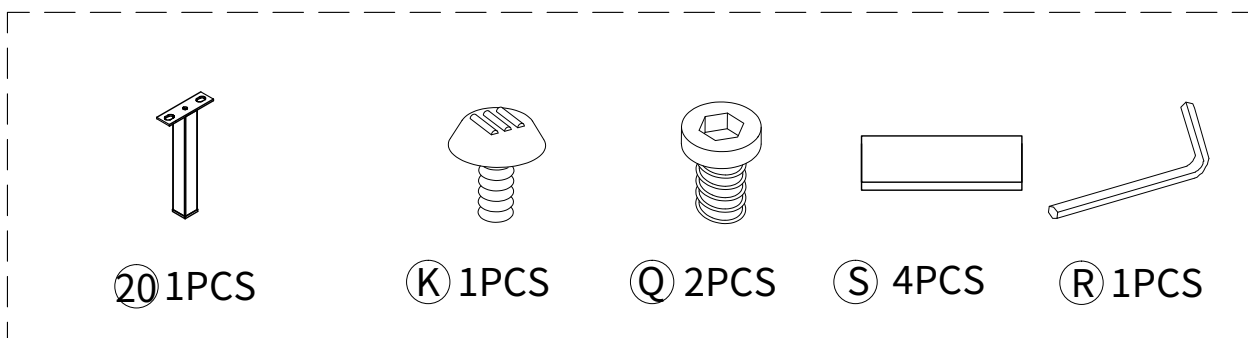
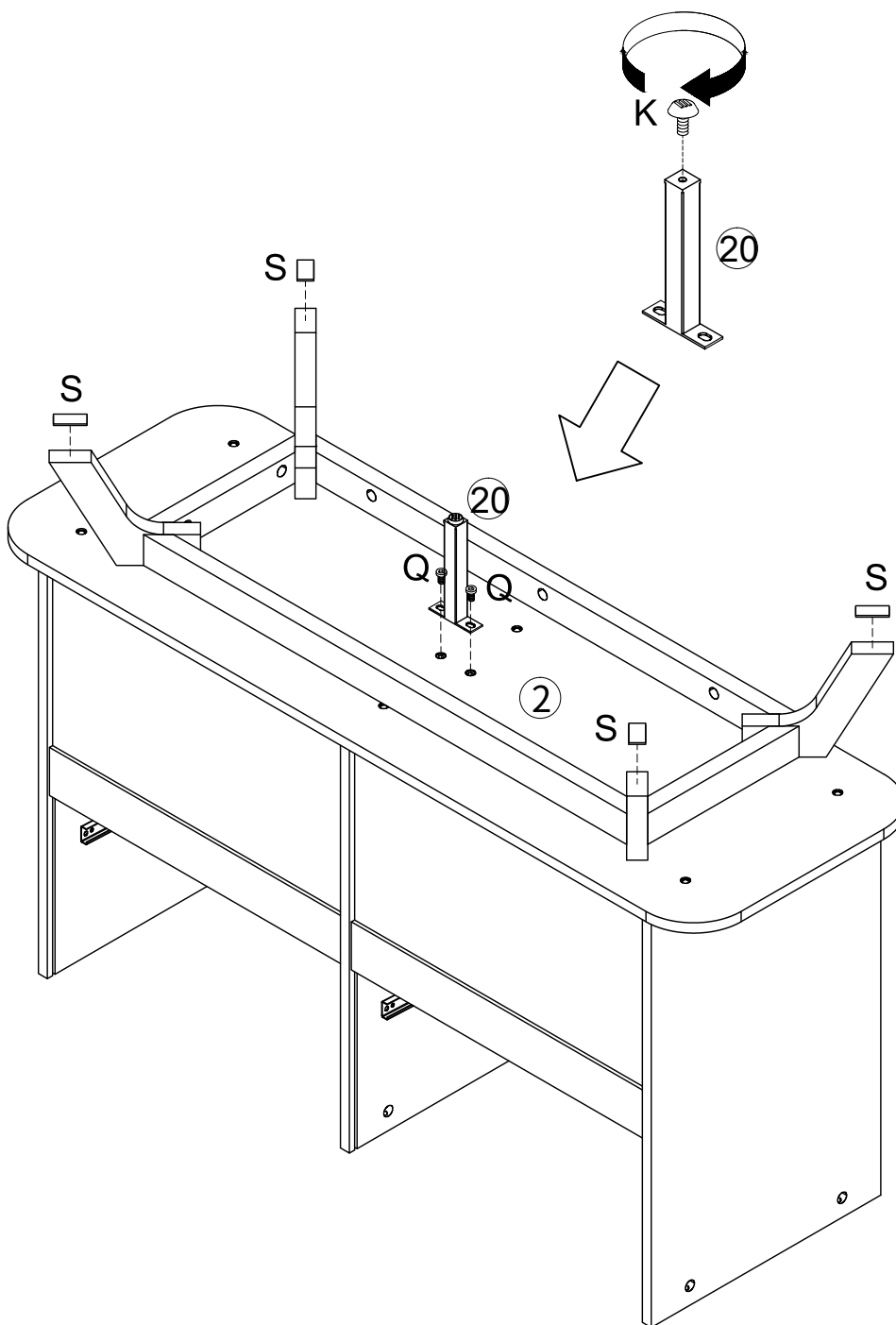
B 10PCS



C 4PCS

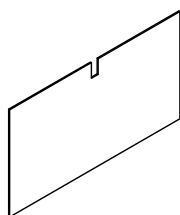
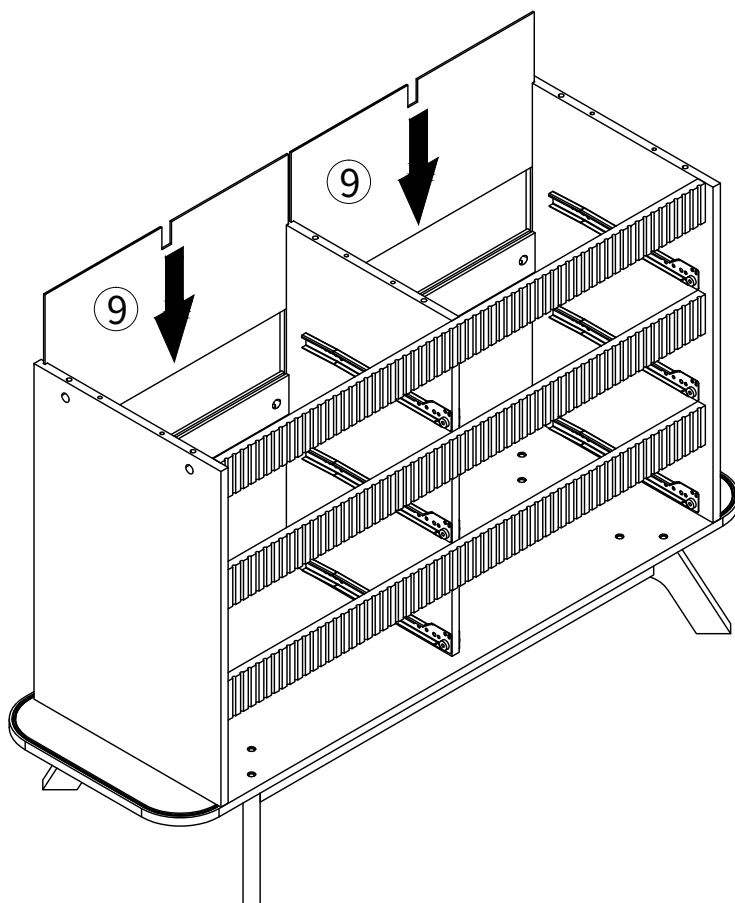
Assembly Instructions

Step 14:



Assembly Instructions

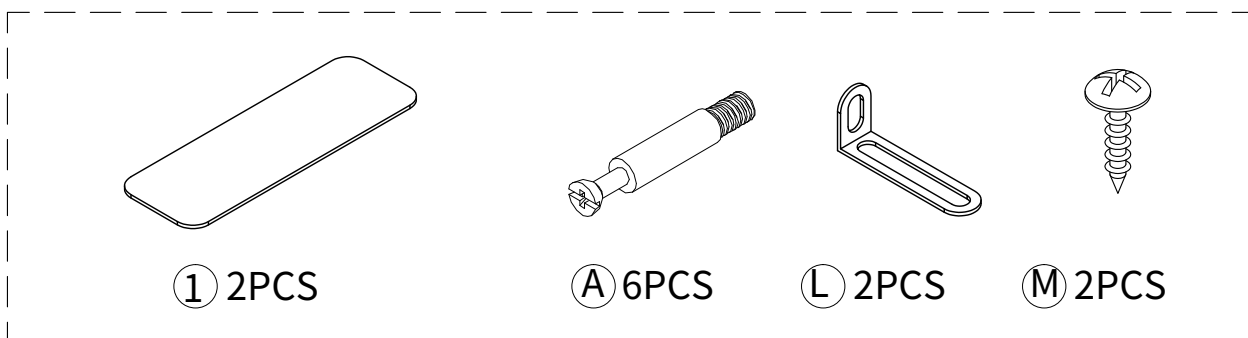
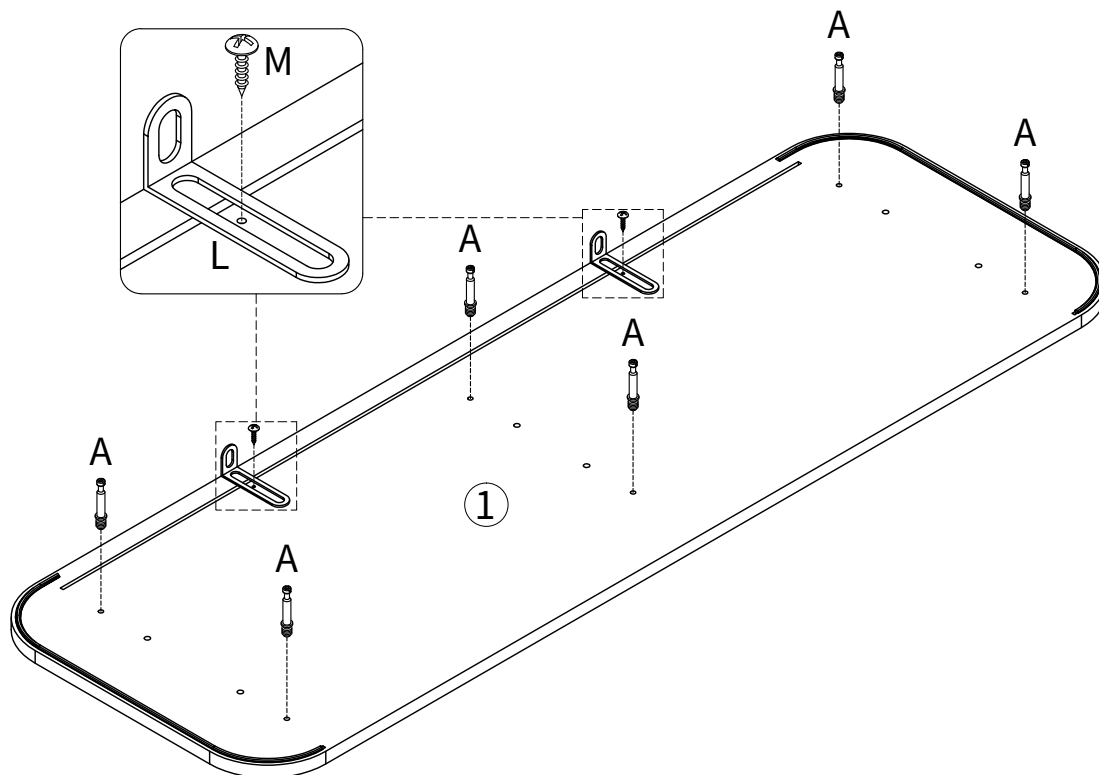
Step 15:



⑨ 2PCS

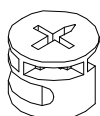
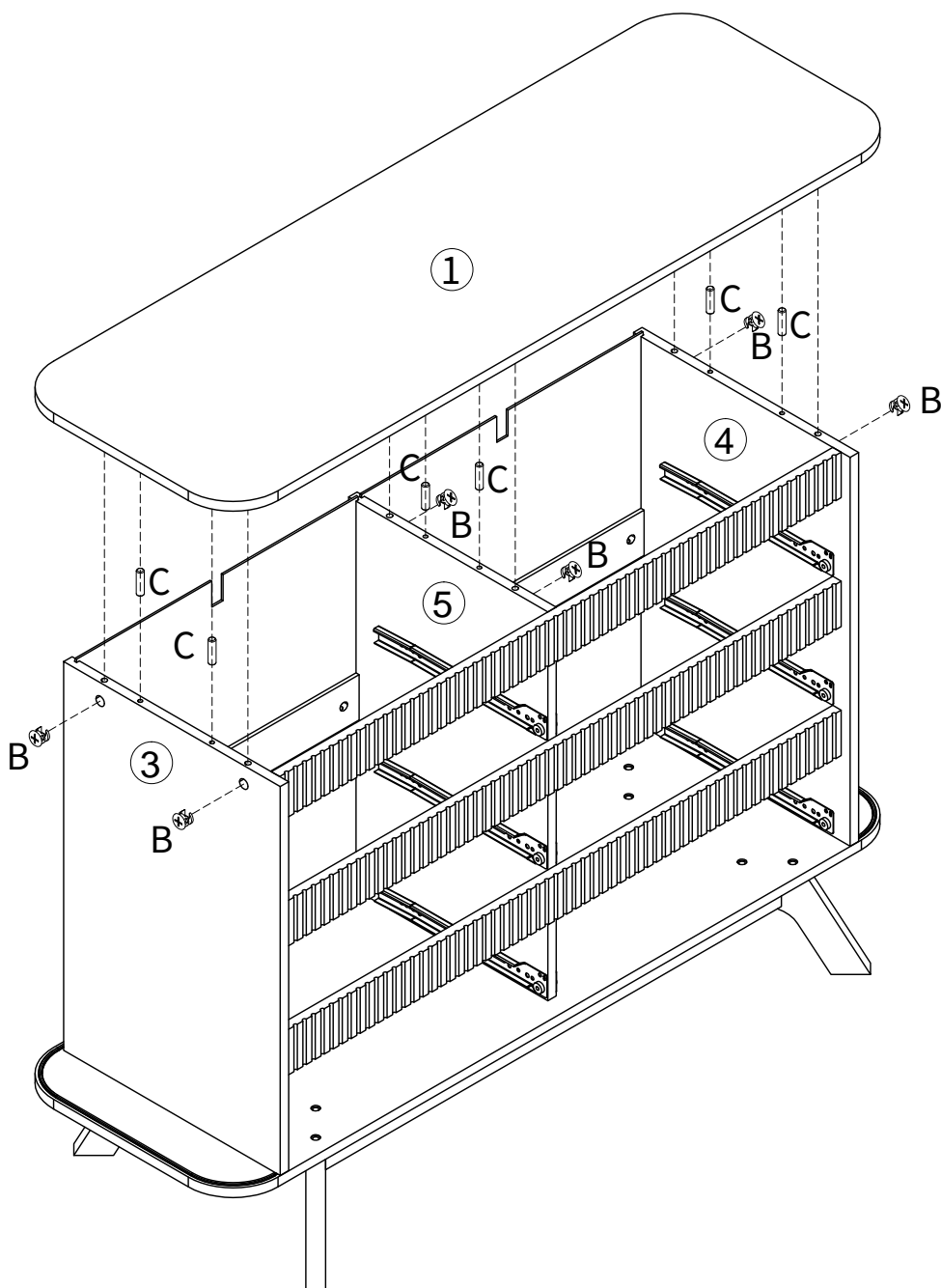
Assembly Instructions

Step 16:



Assembly Instructions

Step 17:



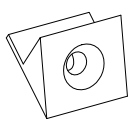
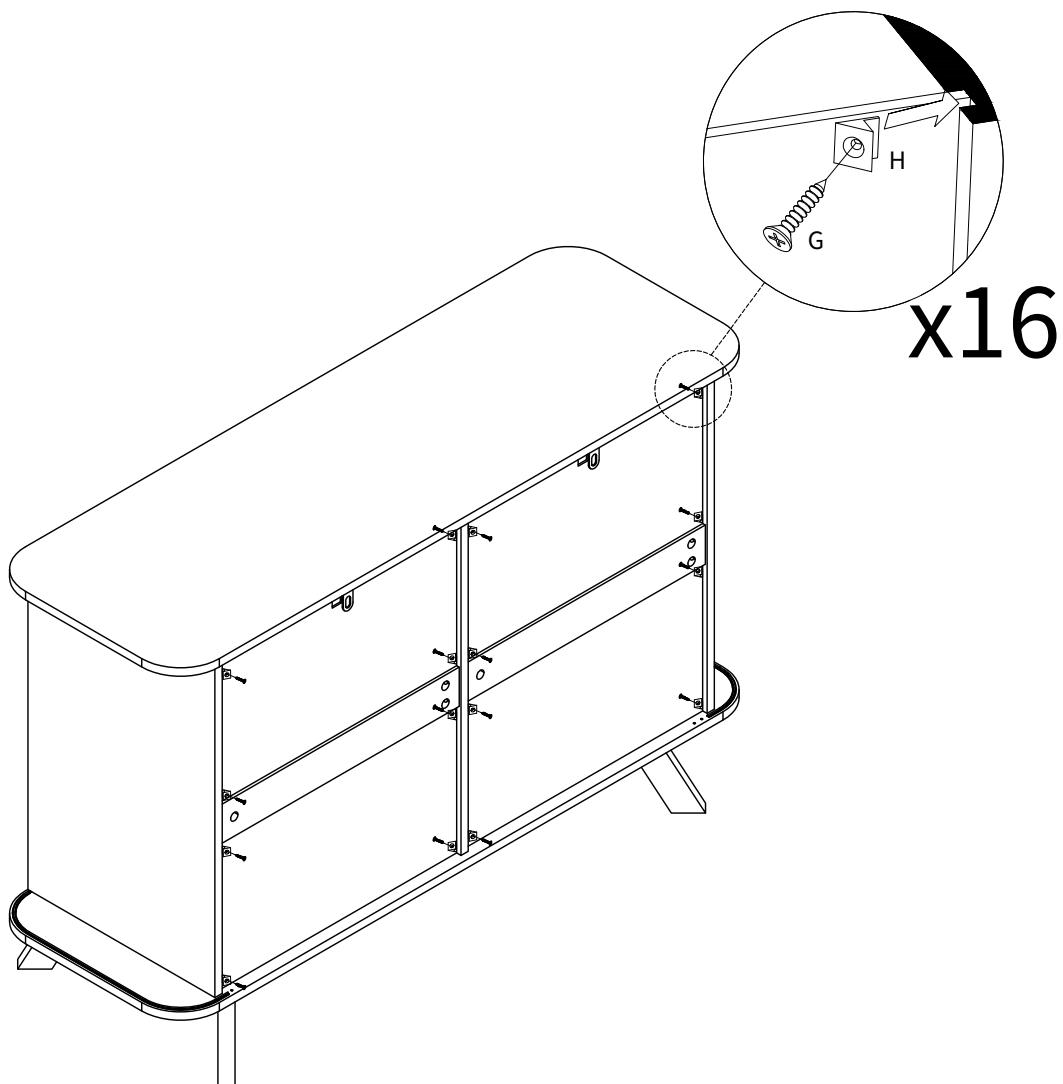
(B) 6PCS



(C) 6PCS

Assembly Instructions

Step 18:



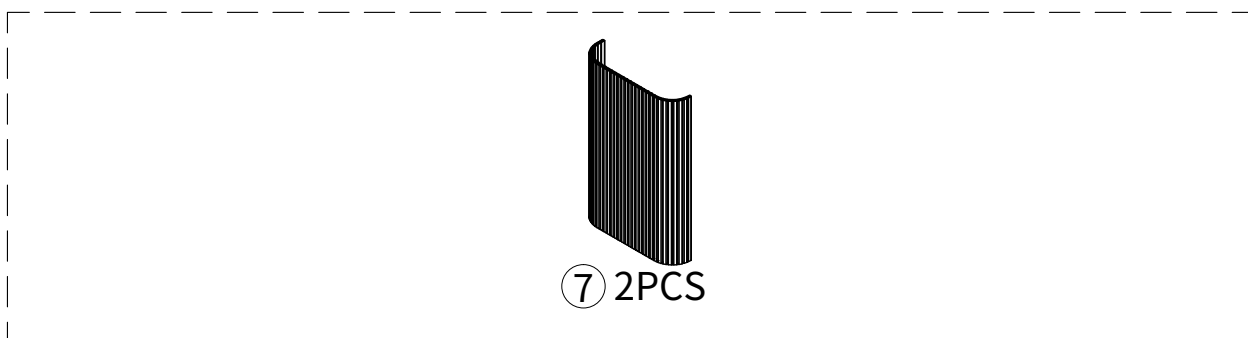
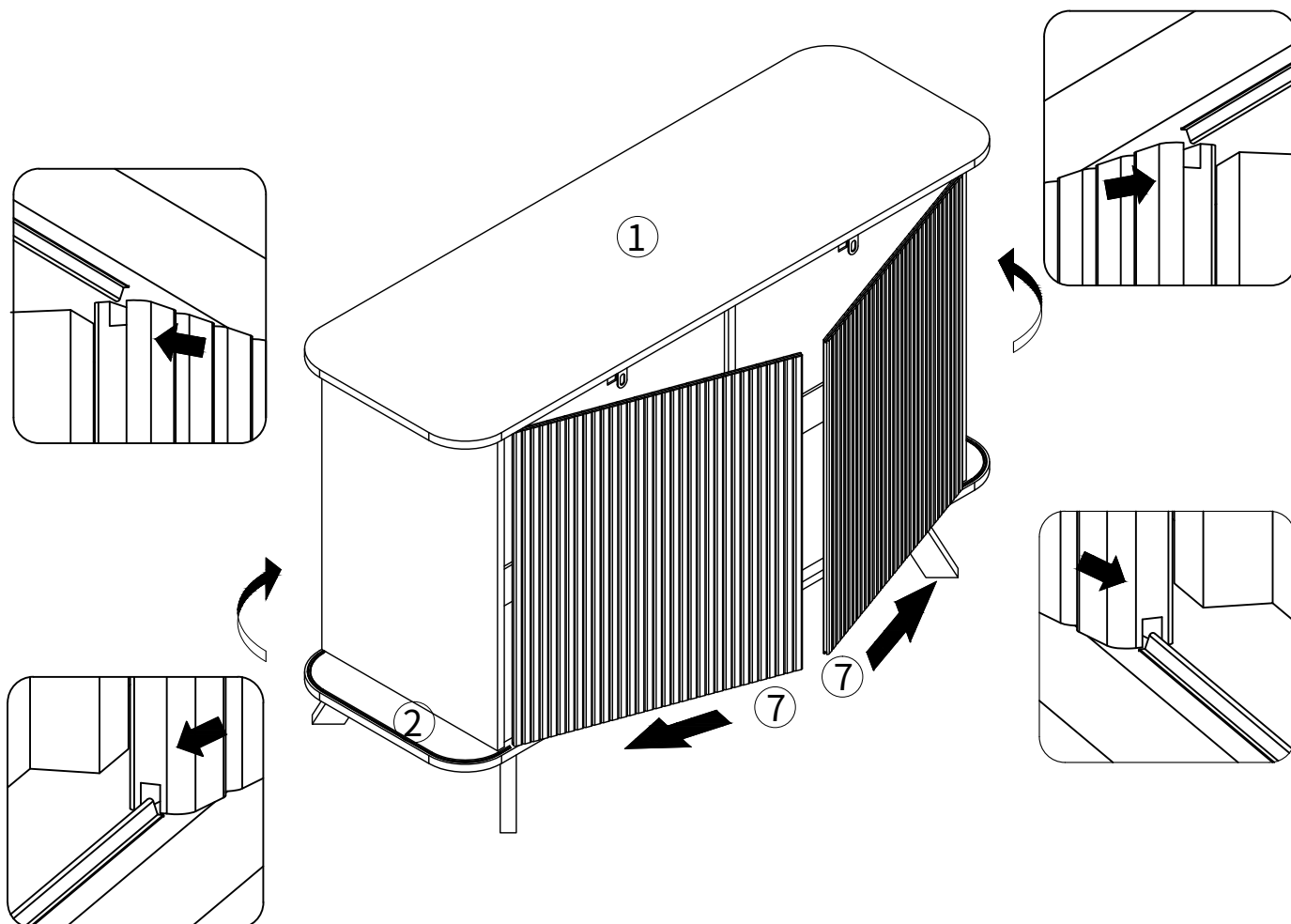
Ⓜ 16PCS



Ⓜ 16PCS

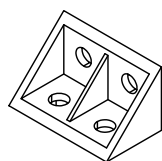
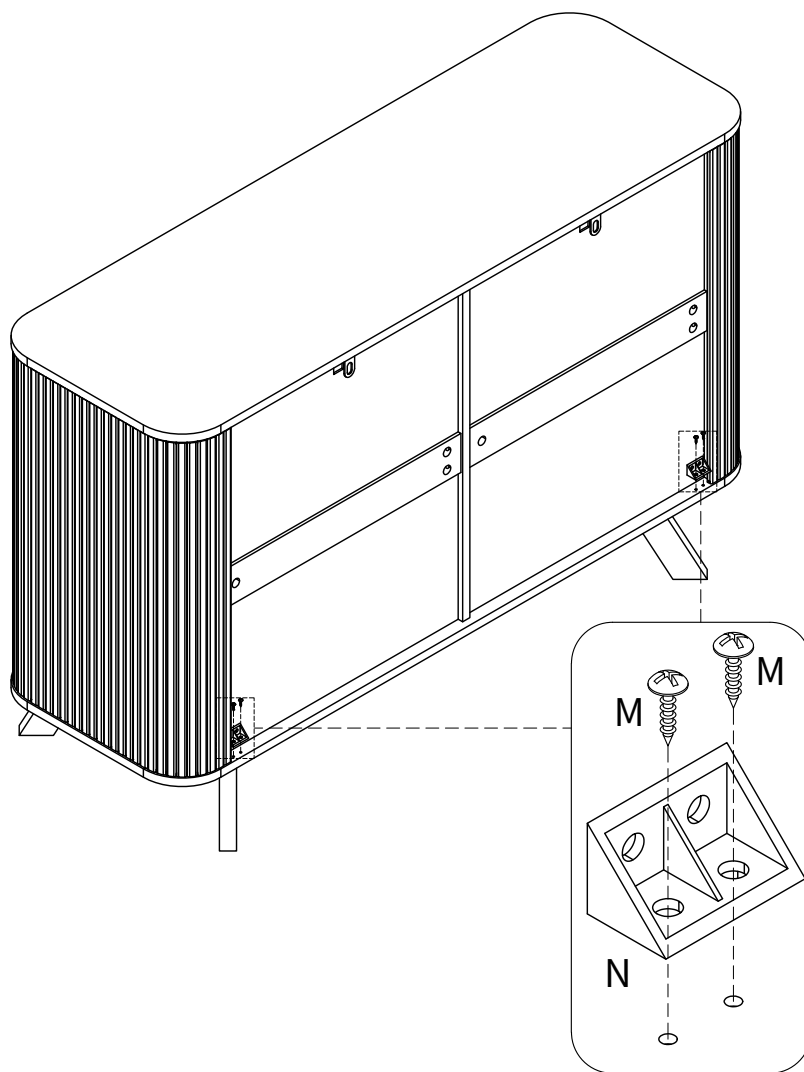
Assembly Instructions

Step 19:



Assembly Instructions

Step 20:



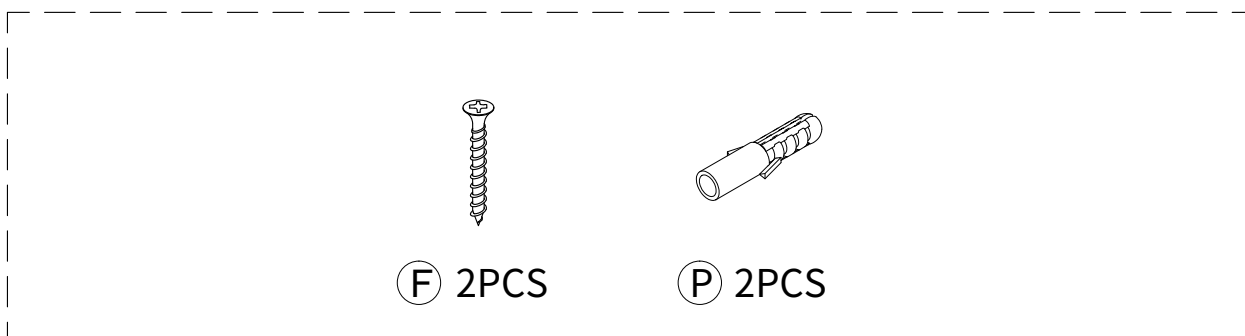
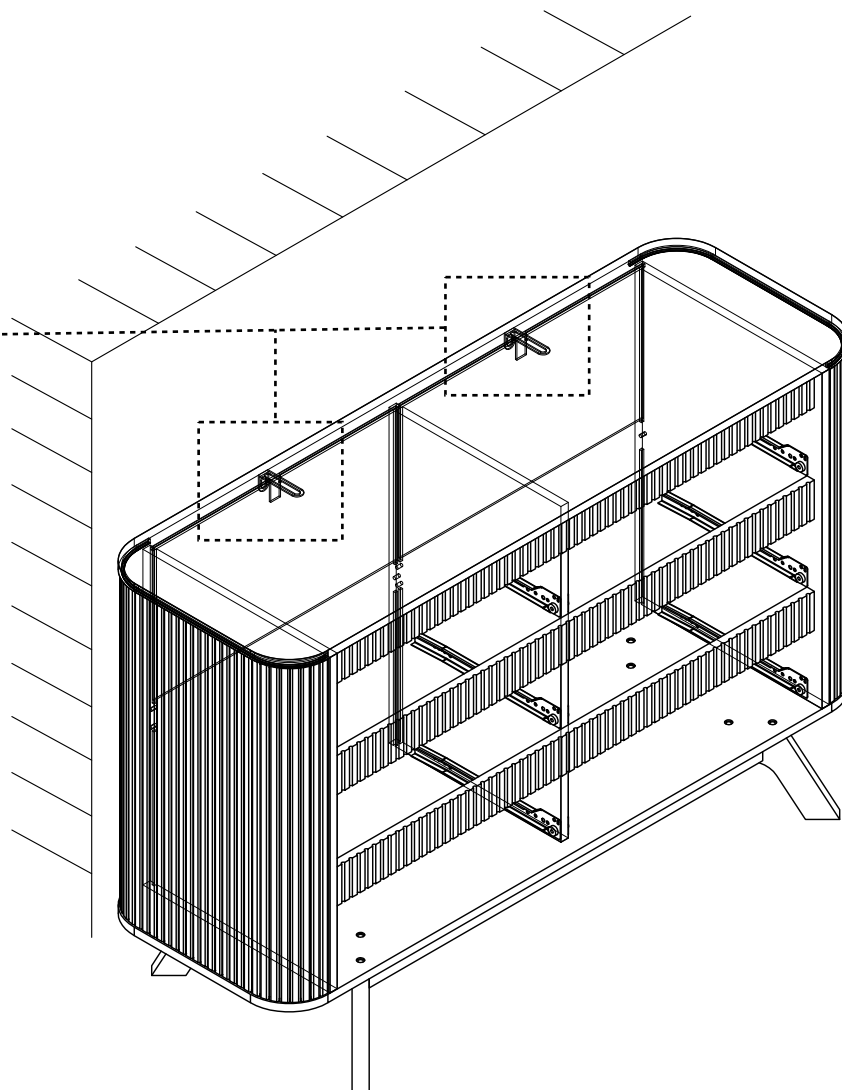
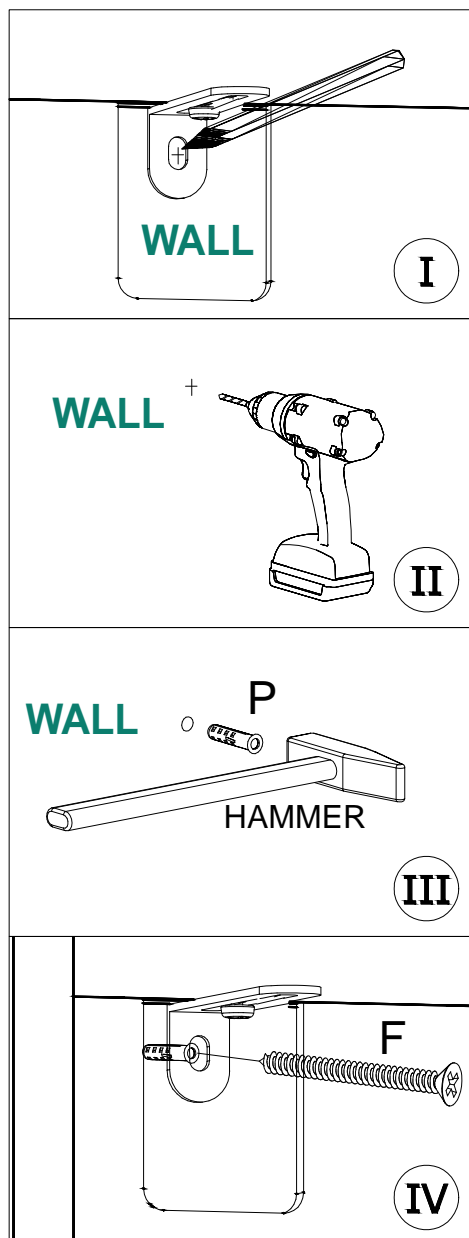
(N) 2PCS



(M) 4PCS

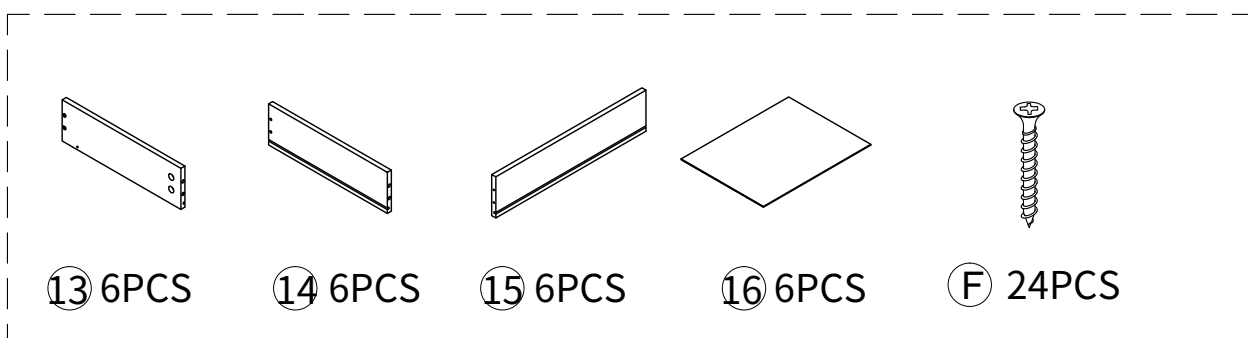
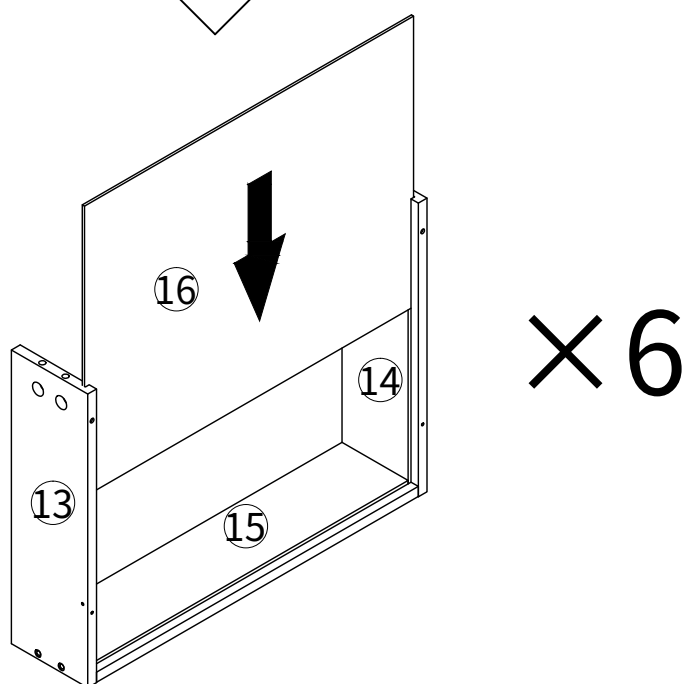
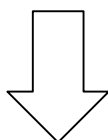
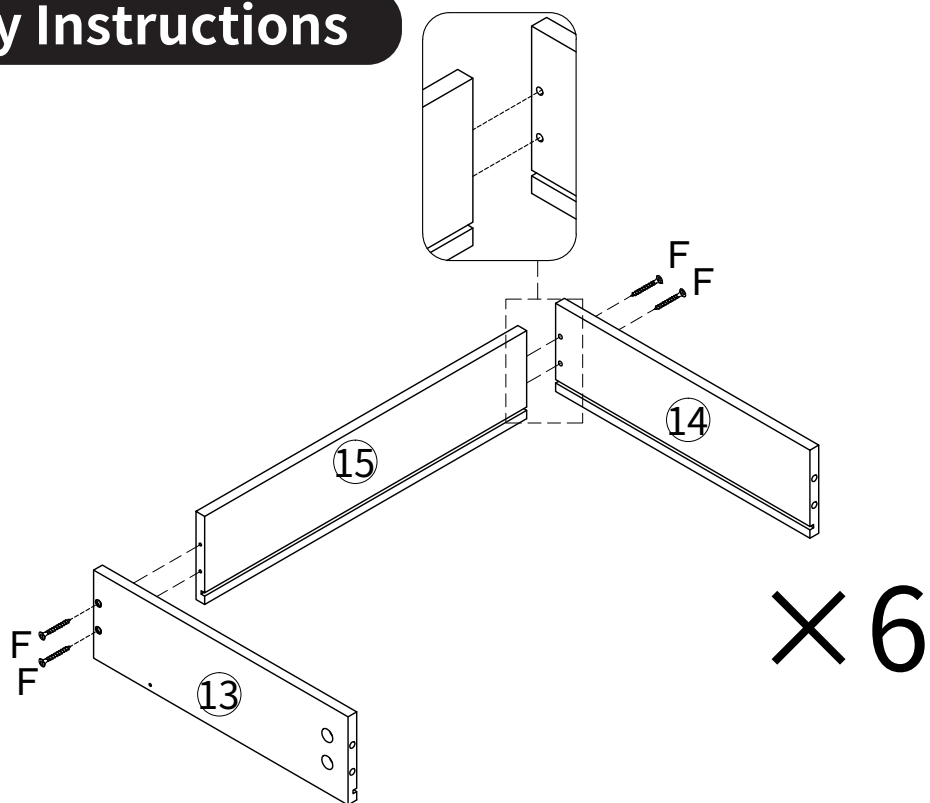
Assembly Instructions

Step 21:



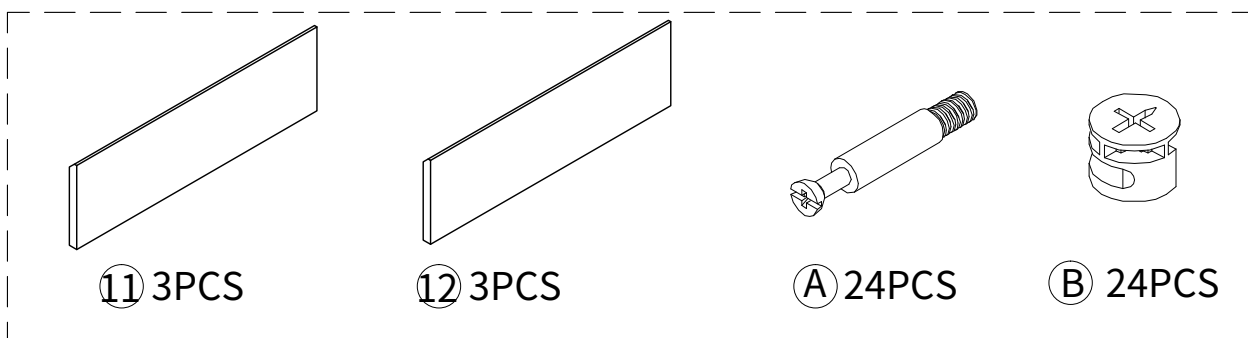
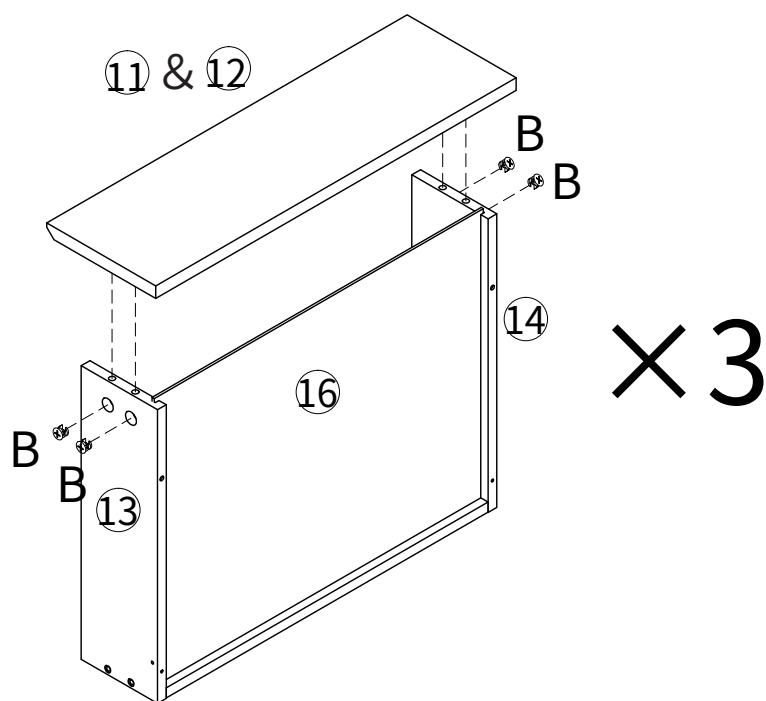
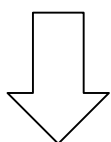
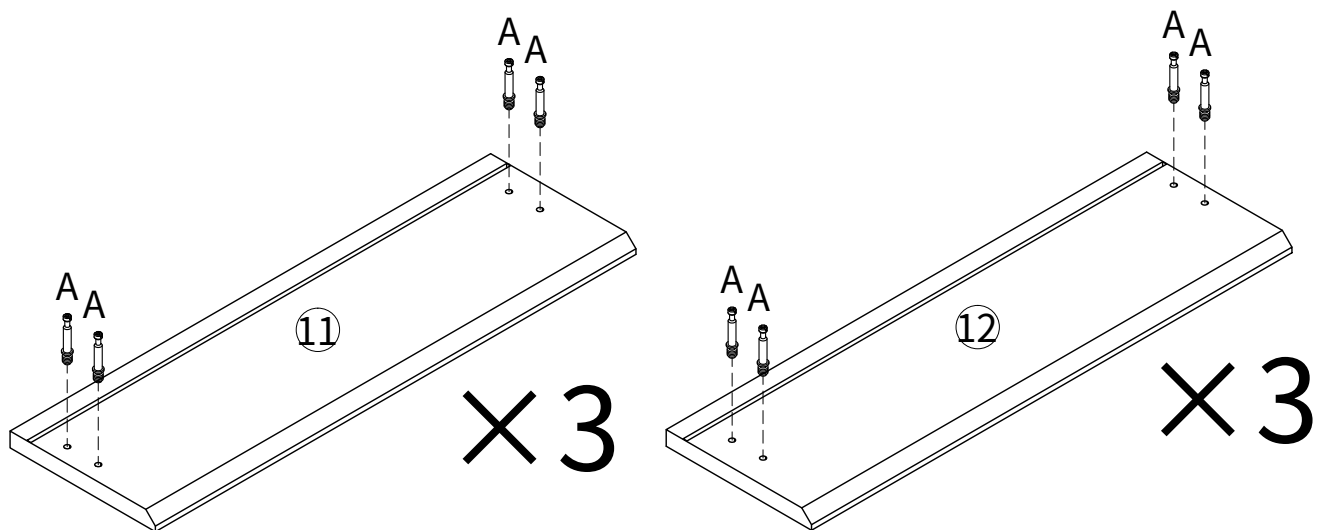
Assembly Instructions

Step 22:



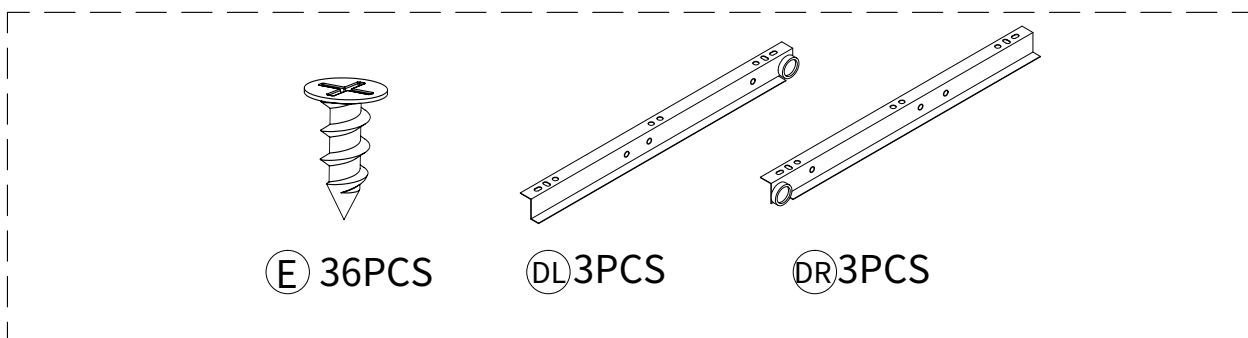
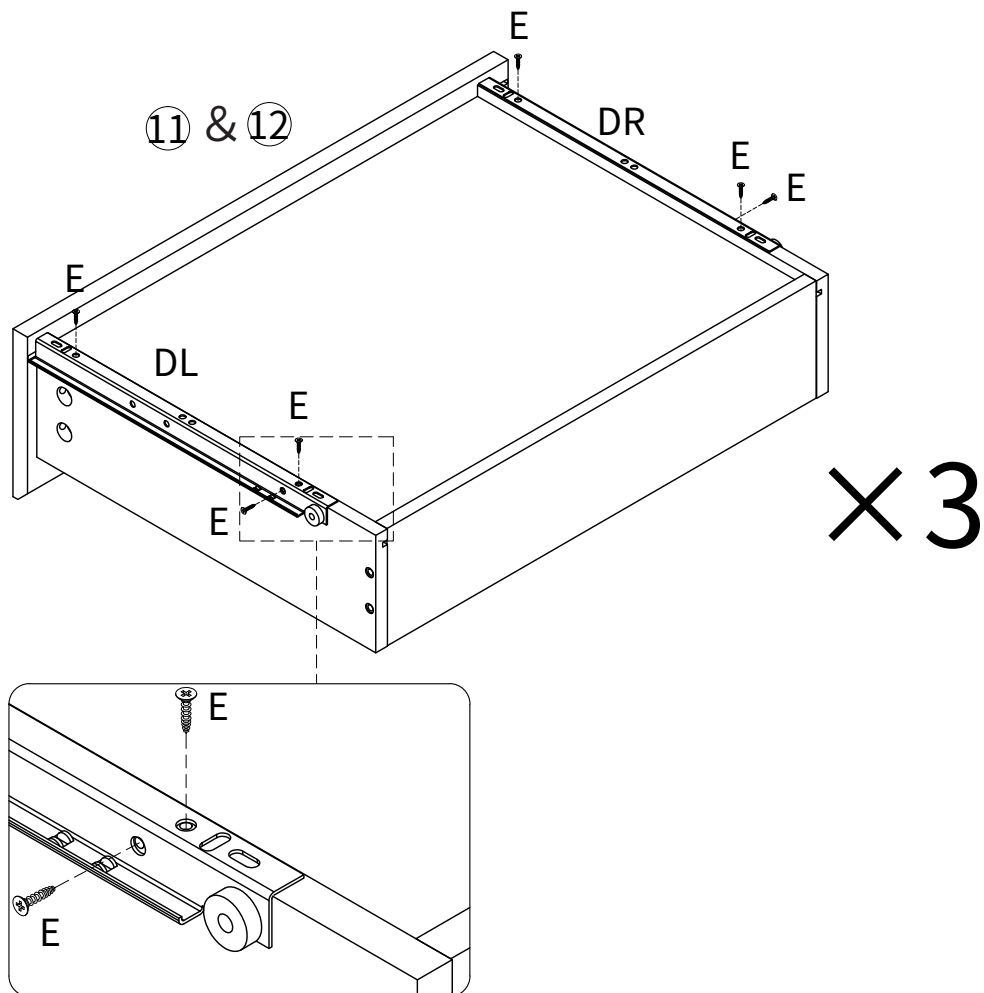
Assembly Instructions

Step 23:



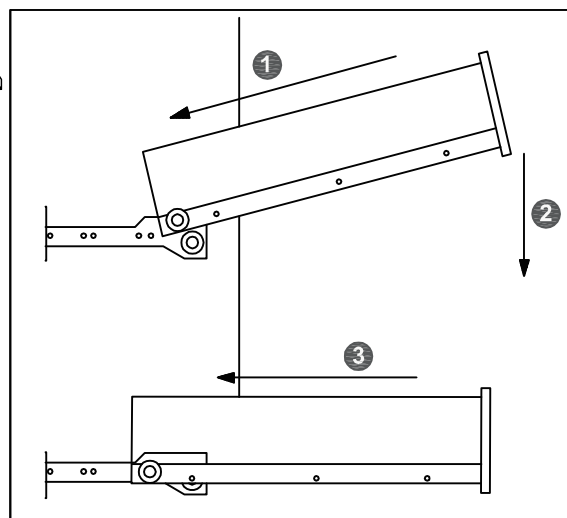
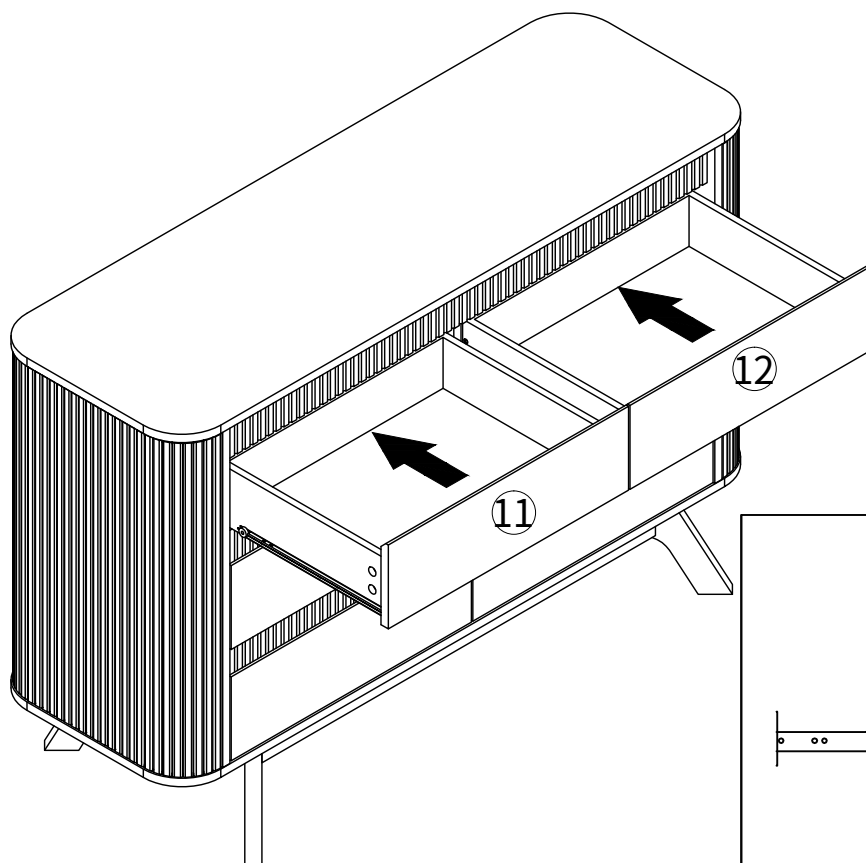
Assembly Instructions

Step 24:








Assembly Instructions

Step 25:



Problems You May Encounter

PROBLEMS	SOLUTIONS
Non-human caused damage during usage.	Please Keep the product and send us photos of it. We will ascertain the cause of the product damage within 48 hours and provide a satisfactory solution.
Mismatch of screw hole positions between components.	<ol style="list-style-type: none"> 1. Please tighten the screws on the board by 70%, do not tighten completely. 2. Adjust the direction of the component to check that the wrong hole position has not been selected.
Product is unstable after being assembled.	<ol style="list-style-type: none"> 1. Check if the screws are tightened. 2. Read through out the manual, check are there any parts installed incorrectly or missing assembled.
Any missing or damaged components.	To solve the problem. We are committed to providing you with Free component shipping and replacement
<p>More problems or the above problems could not be solved.</p>	<p> Contact us, We will support you!</p> <div style="display: flex; flex-wrap: wrap; justify-content: space-around;"> <div style="border: 1px solid black; width: 40px; height: 40px; margin: 5px; display: flex; align-items: center; justify-content: center;"></div> <div style="border: 1px solid black; width: 40px; height: 40px; margin: 5px; display: flex; align-items: center; justify-content: center;"></div> <div style="border: 1px solid black; width: 40px; height: 40px; margin: 5px; display: flex; align-items: center; justify-content: center;"></div> <div style="border: 1px solid black; width: 40px; height: 40px; margin: 5px; display: flex; align-items: center; justify-content: center;"></div> </div>