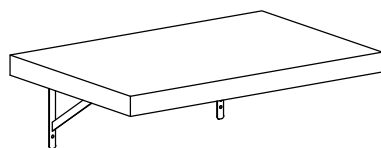
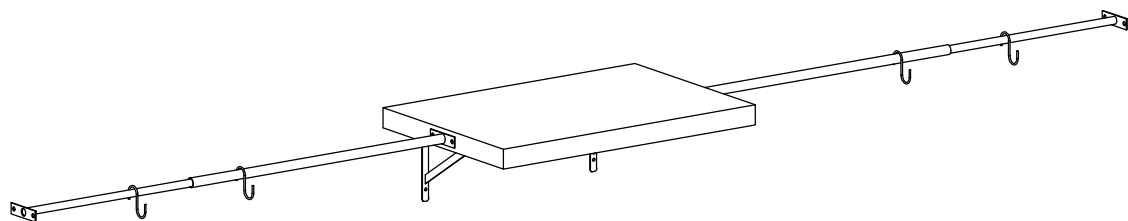
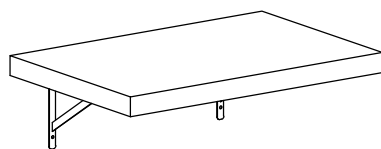
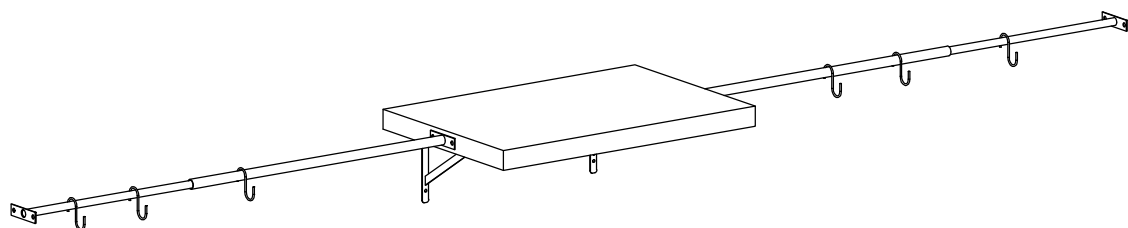


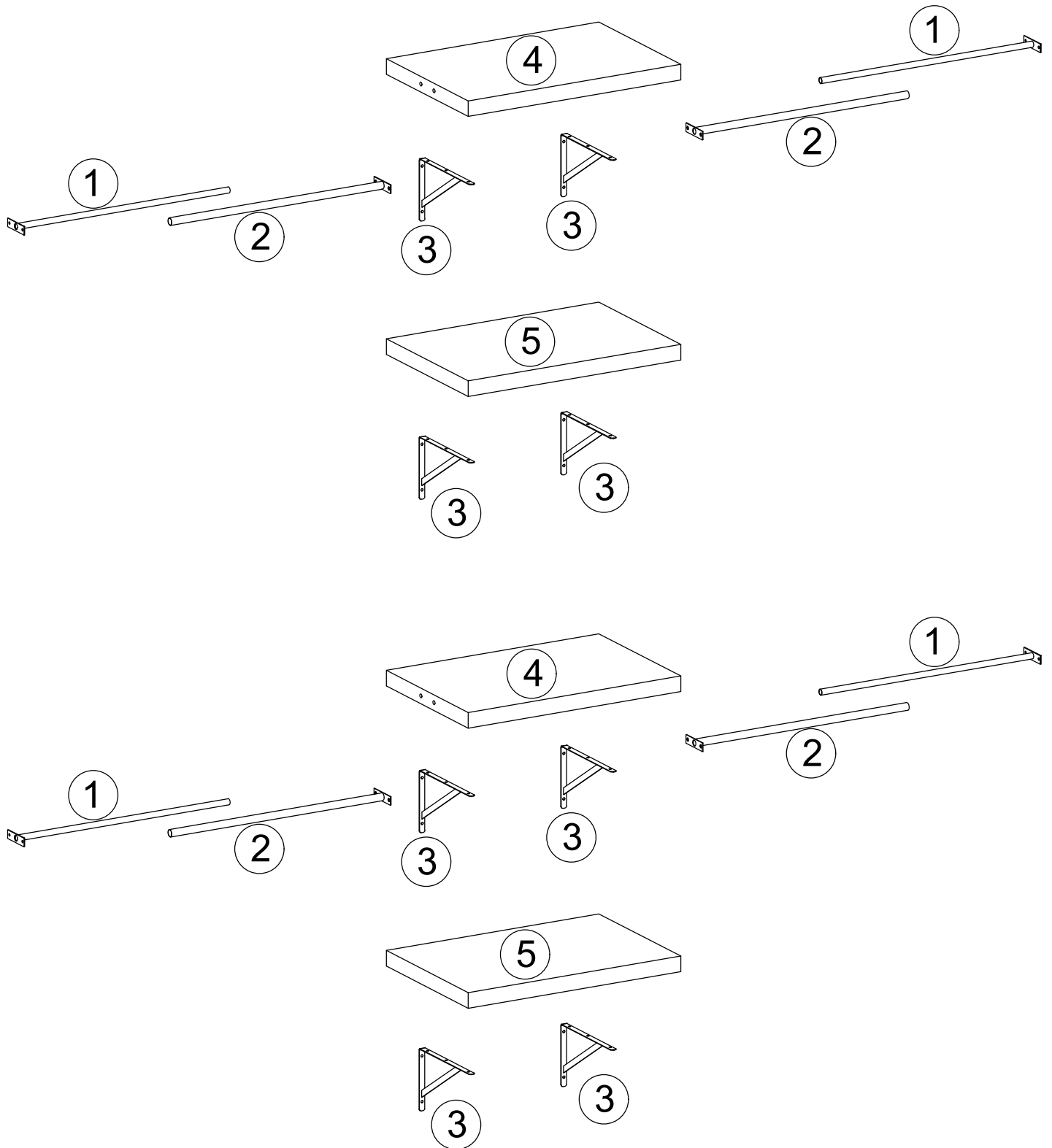
FTHKSG-6012

FTHKSG-6013

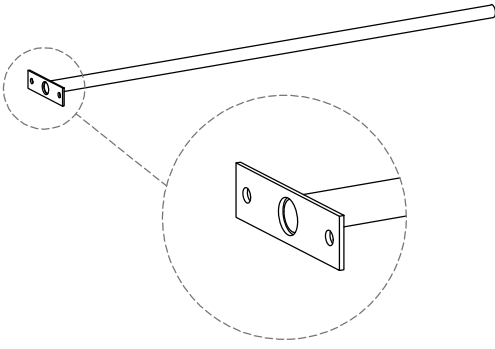


Notice:

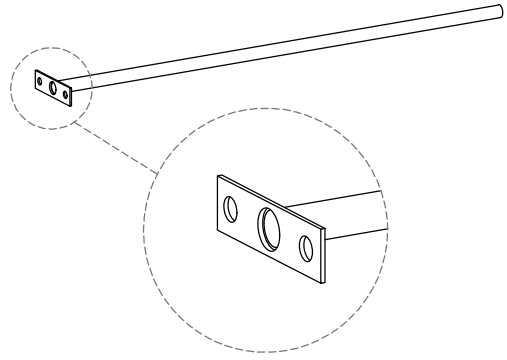
1. Follow the installation instructions. Please confirm all accessories are present before installation.
2. Do not fully tighten the screws during initial assembly. Fully tighten screws only after all pieces are correctly assembled.
3. If you encounter any problems during installation, please contact our customer service.



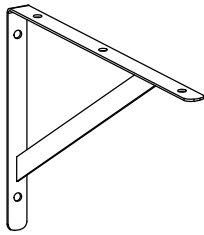
1 x4



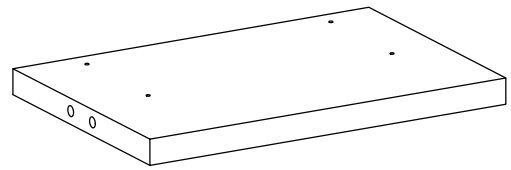
2 x4



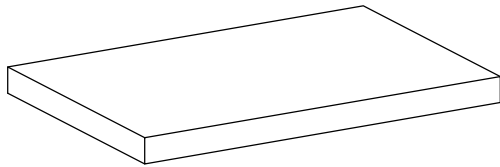
3 x8



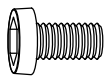
4 x2



5 x2



A x 8+1



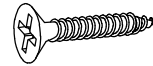
M6x12

B x 16+1



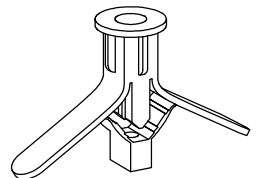
3.5x15

C x 24+1

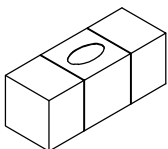


5x40

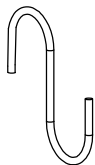
D x 24+1



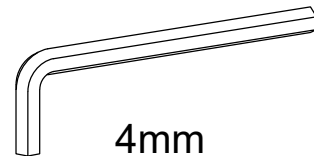
E x 1



F x 10

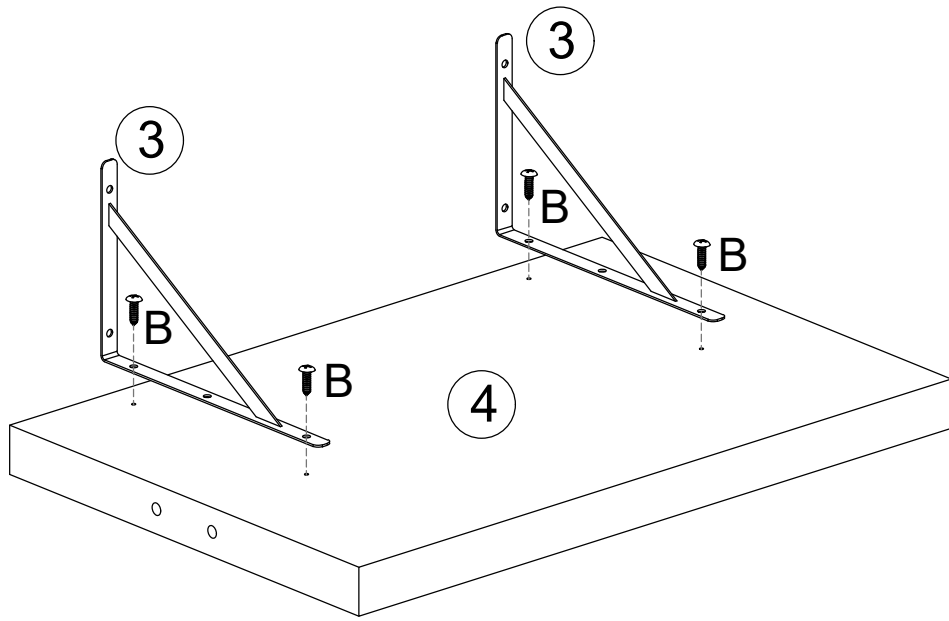


TOOL



4mm

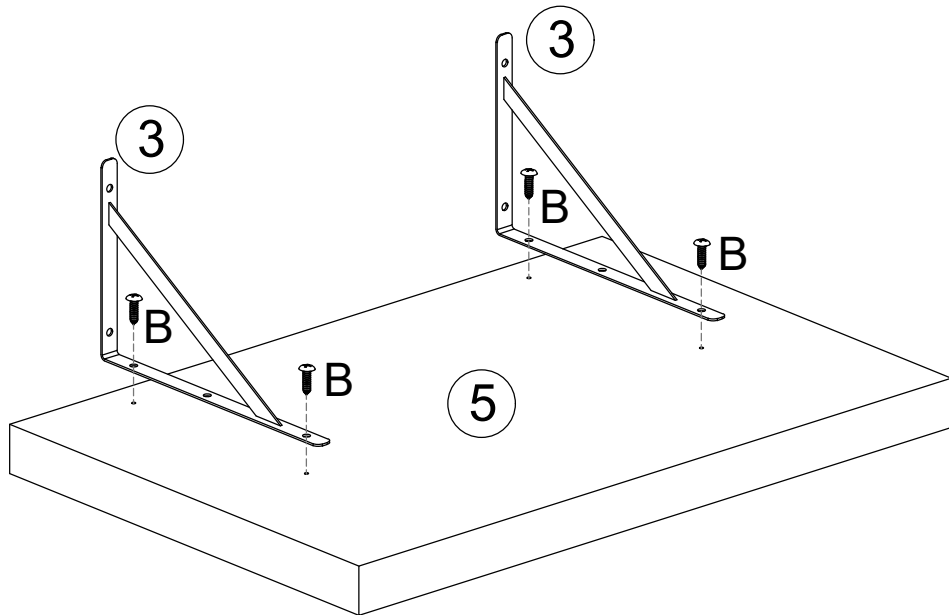
# STEP 1



X2

B  x8

# STEP 2



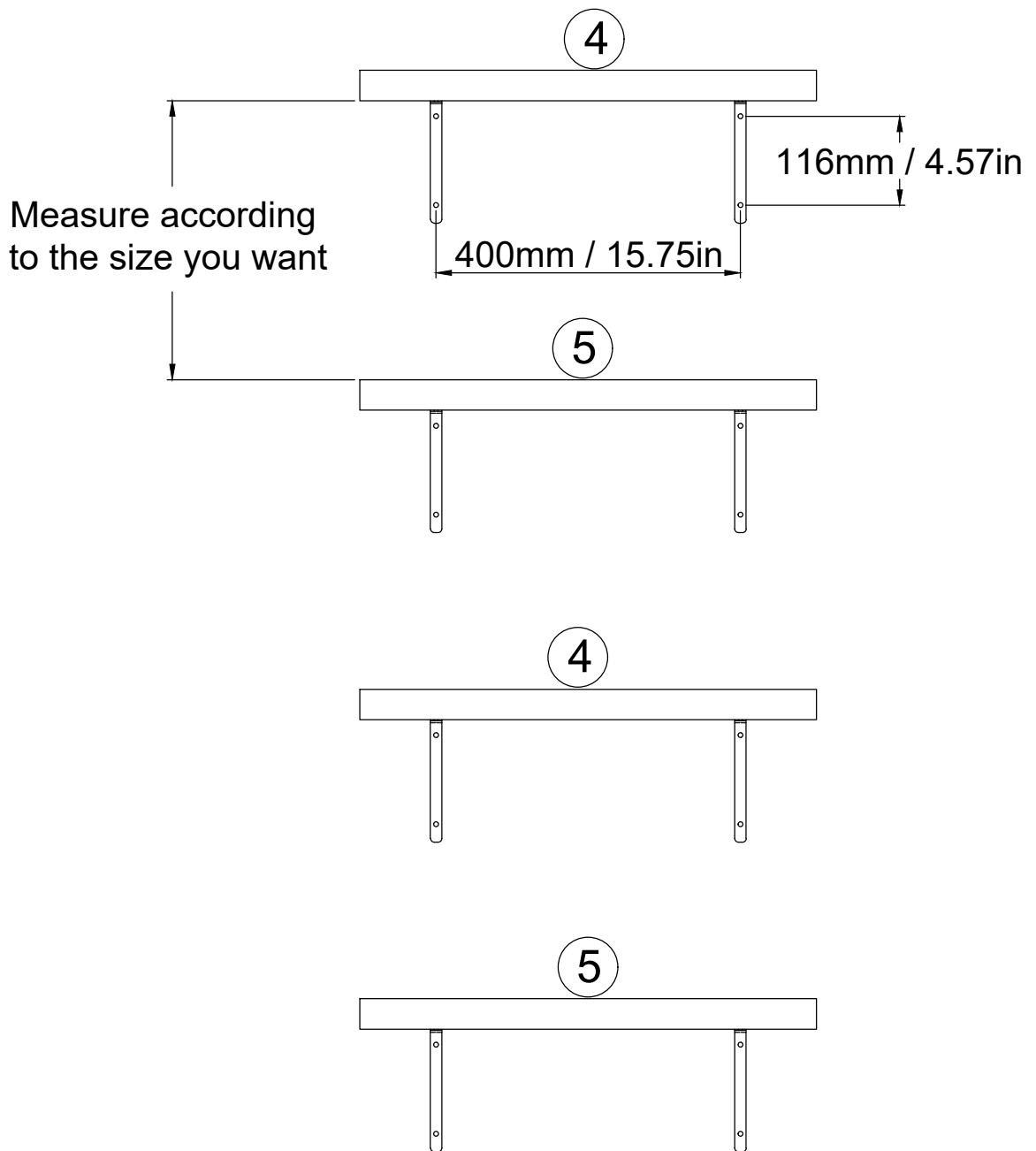
X2

B  x8

# STEP 3

Punch positioning method 1:

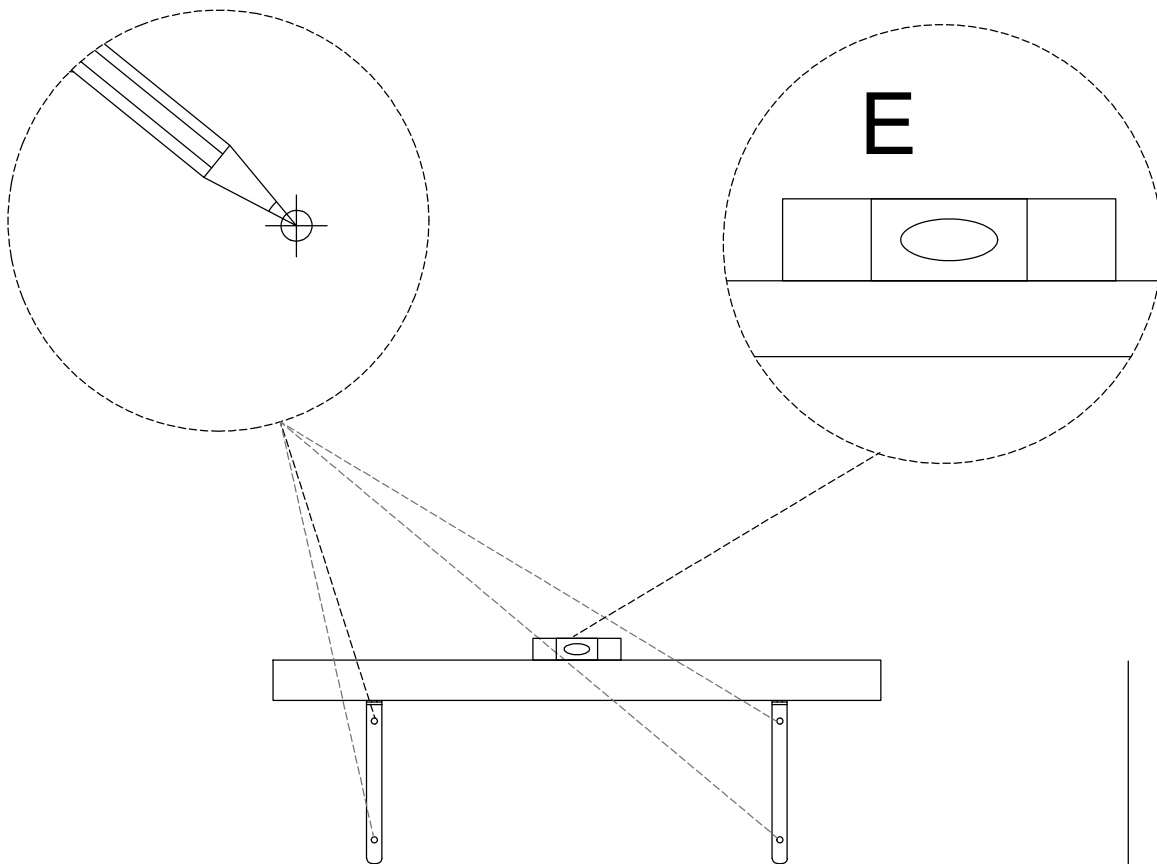
Use a tape measure to measure the hole position and punch holes.



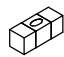
# STEP 4

Punch positioning method 2:

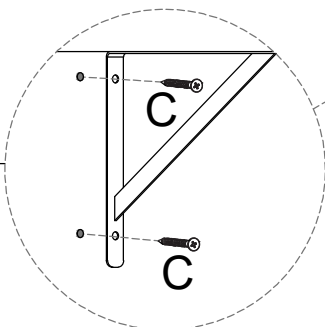
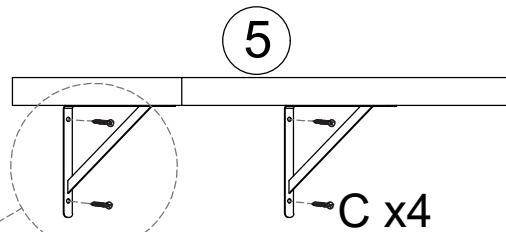
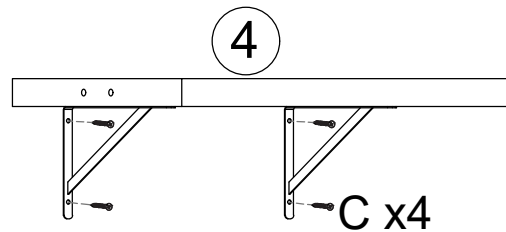
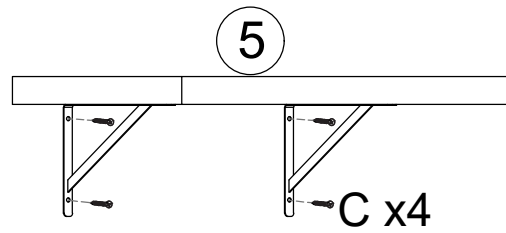
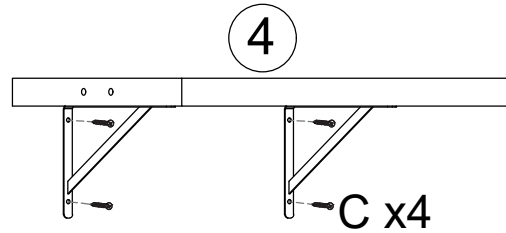
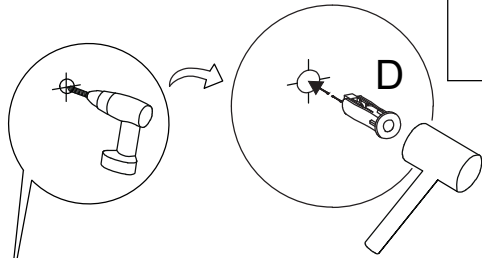
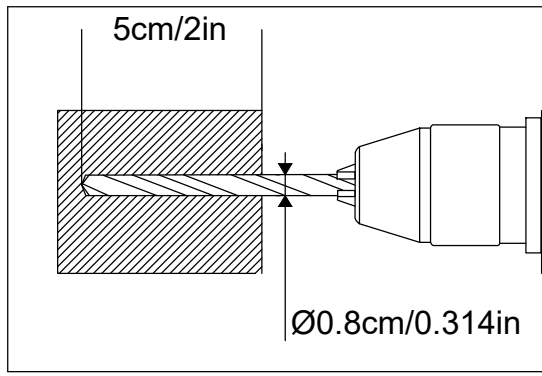
Position the Storage rack on the wall, place a level to ensure that the Storage rack is parallel, then punch holes.



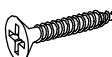

wall

E  x1

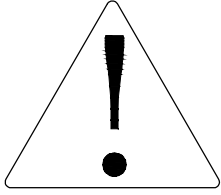
# STEP 5



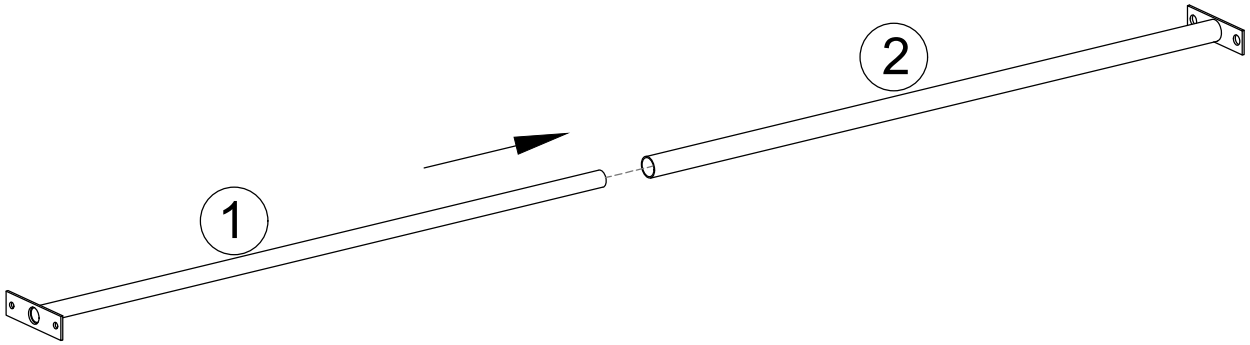
wall

C		x16	D		x16
---	--	-----	---	---	-----

# STEP 6

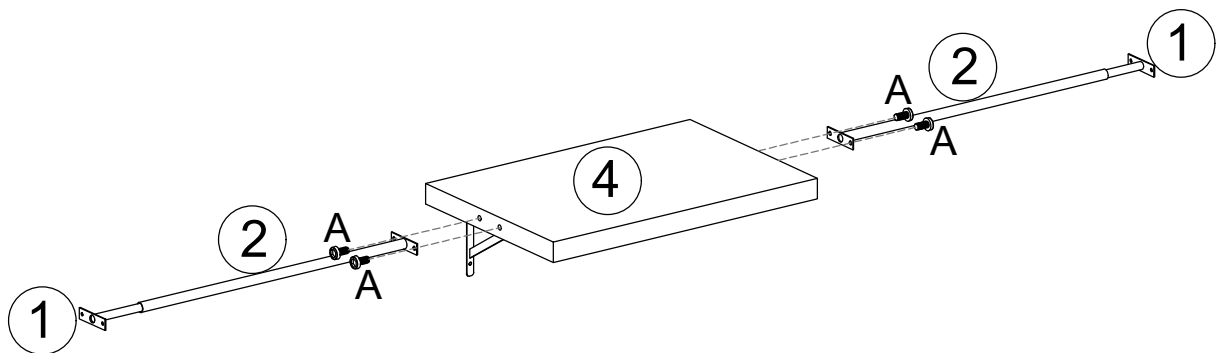


The maximum stretching distance between ① and ② is 1.1 meter.


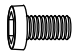


X4

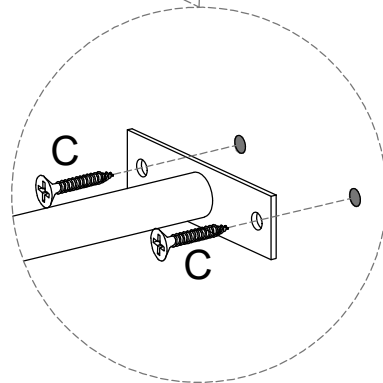
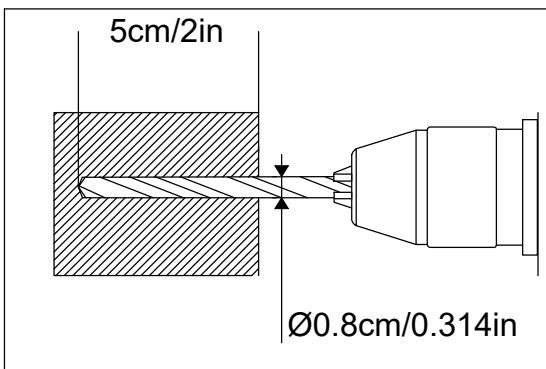
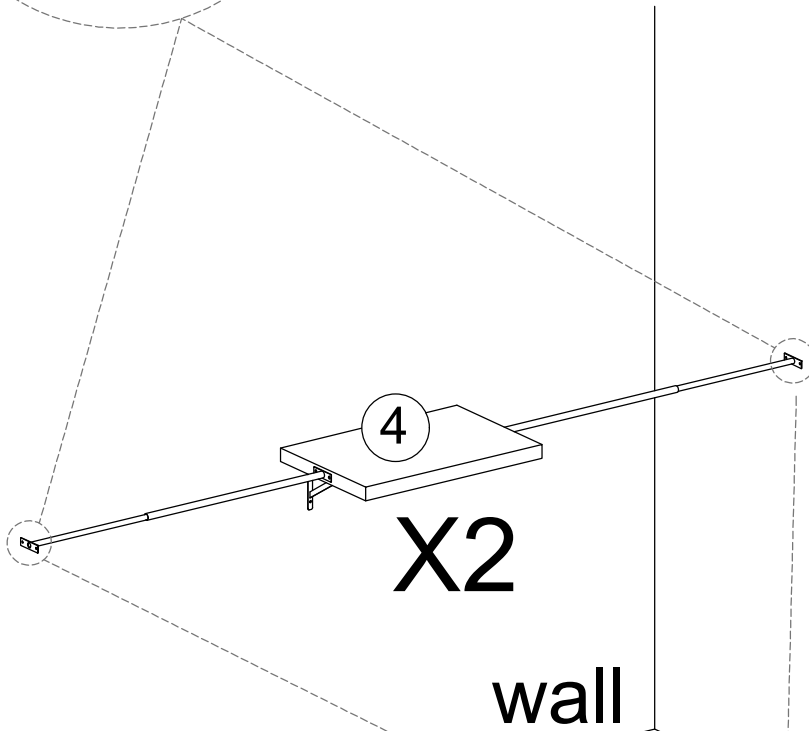
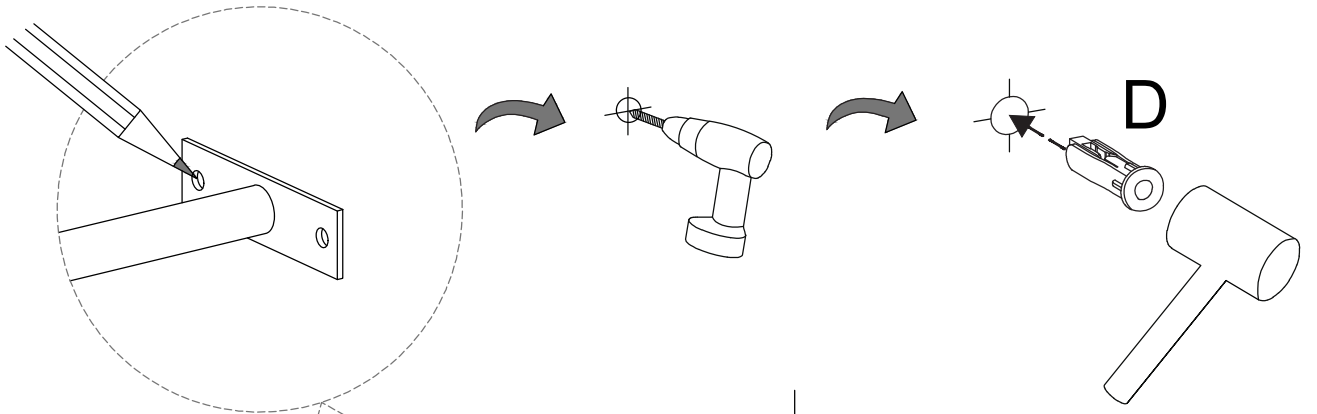
# STEP 7



X2

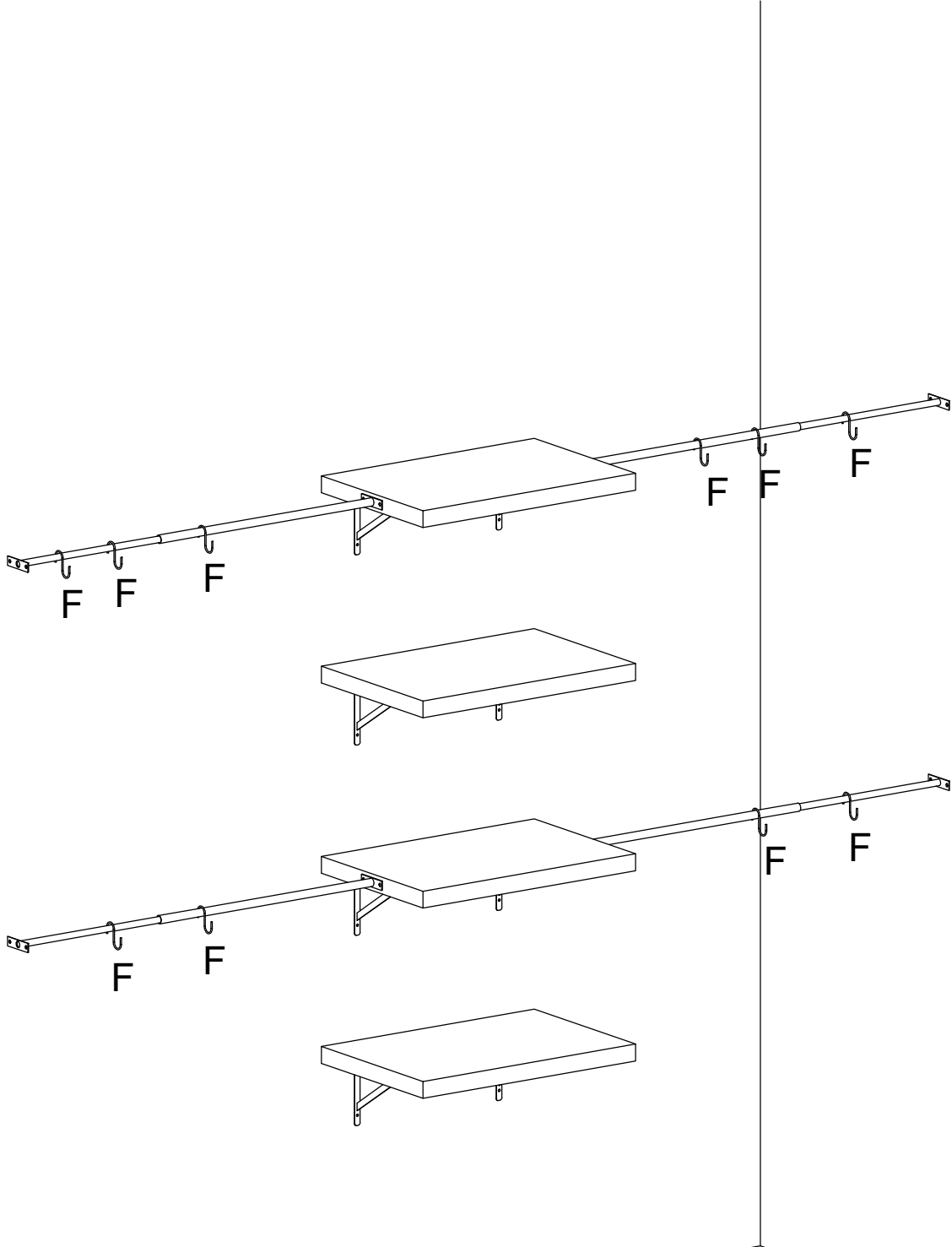
		4mm
A		x8

# STEP 8



C		x8	D		x8
---	--	----	---	---	----

# STEP 9



Installation Completed