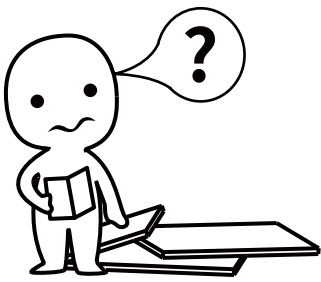


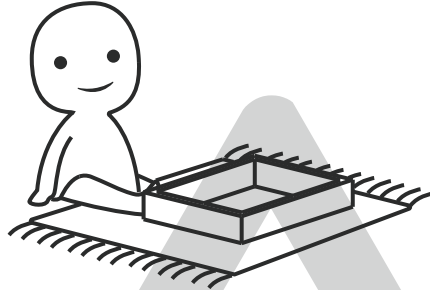
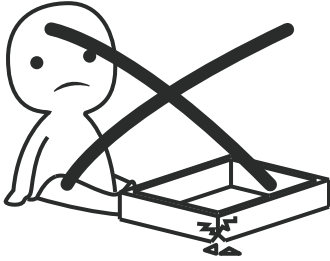
INSTALLATION

Product Manual



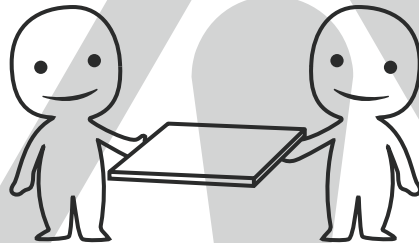
IMPORTANT INFORMATION!

please read the entire manual before starting to assemble and/or using this product. follow the manual thoroughly and keep it for further reference.



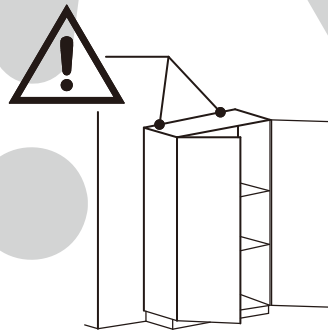
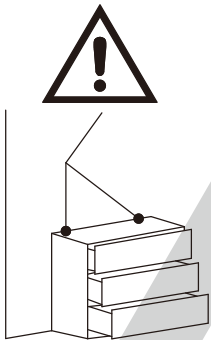
AVOID SCRATCHES!

In order to avoid scratching this furniture should be assembled on a soft layer- could be a rug.



IMPROVE EFFICIENCY !

Try to find a partner to install with you, which can speed up the installation efficiency and shorten the time.



ANTI-TOPPLE WARNING !

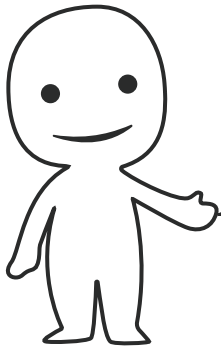
Overturned furniture can cause serious or fatal crush injuries. To prevent tipping over, be sure to use the wall attachment, if not included with this product. Please purchase the wall attachment that fit your wall. If unsure, seek professional advice. Please read and follow each step of the instructions carefully.

IMPORTANT !

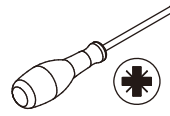
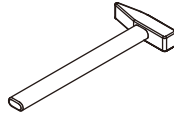
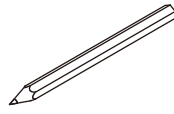
It is important that any product which is assembled using any kind of screw is re-tightened 2 weeks after assembly, and once every 3 months - in order to assure stability through-out the lifespan of the product.

For regular maintenance and cleaning of the product, for the frame, please use a rag dipped in neutral detergent to fully wipe it, and then dry it with a clean rag. For glass materials, wipe with a rag dampened with water glass cleaner, and then dry with a dry rag.

Do not use an electric screwdriver, and do not use too much force when installing, because the board is easy to break.

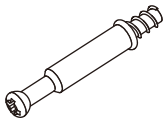


Please prepare the following tools



When installing, please carefully confirm whether each screw corresponds to the manual, accessories with similar shapes can be distinguished by size

A x 71



Ø6 x 40 m

B x 52



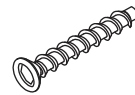
Ø3x12mm

C x 71



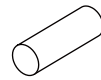
Ø15 x 10 mm

D x 5



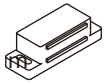
Ø6 x 50 mm

E x 6

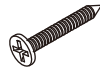


Ø6 x 30 mm

F x 4



G x 23

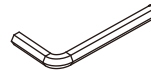


Ø3.5 x 25mm

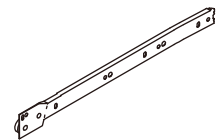
H x 8



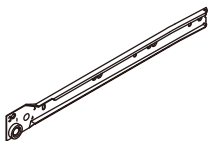
J x 1



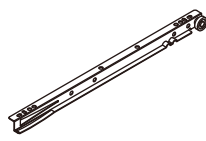
K x 2



L x 2



M x 2



N x 2



O x 2



P x 4



Q x 8



Ø4 x 22 mm

R x 4

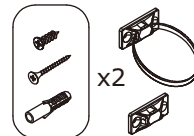


Ø4x20mm

S x 4



T x 2



U x 2

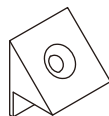


Ø4 x 35 mm

V x 8



W x 8

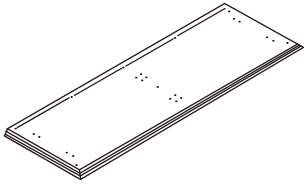


Y x 48



Ø2.5x14mm

① x1



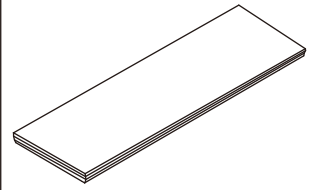
② x1



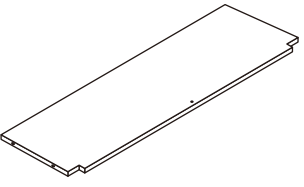
③ x1



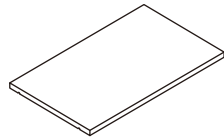
④ x1



⑤ x1



⑥ x2



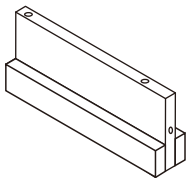
⑦ x1



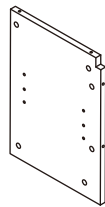
⑧ x1



⑨ x1



⑩ x1



⑫ x1



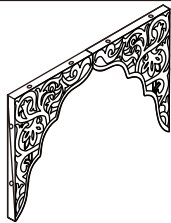
⑬ x2



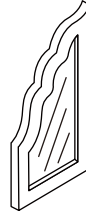
⑭ x4



⑮ x2



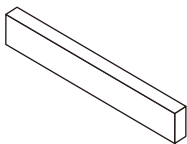
⑰ x2



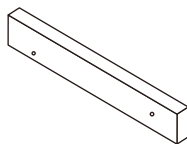
⑱ x2



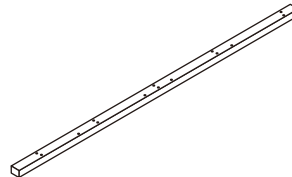
⑲ x1



⑳ x1



㉑ x1



㉒ x2



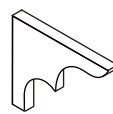
㉓ x1



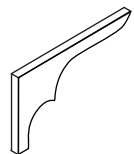
㉔ x1



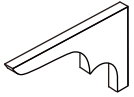
㉕ x4



㉖ x1



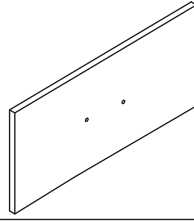
27 x1



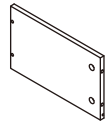
28 x1



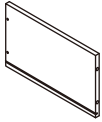
29 x2



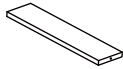
30 x2



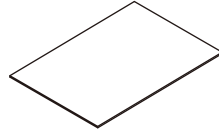
31 x2



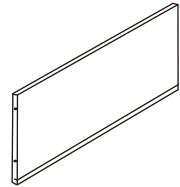
32 x2



33 x2



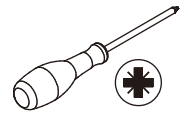
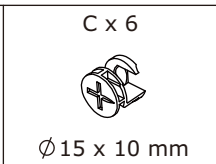
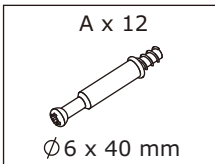
34 x2



37 x1



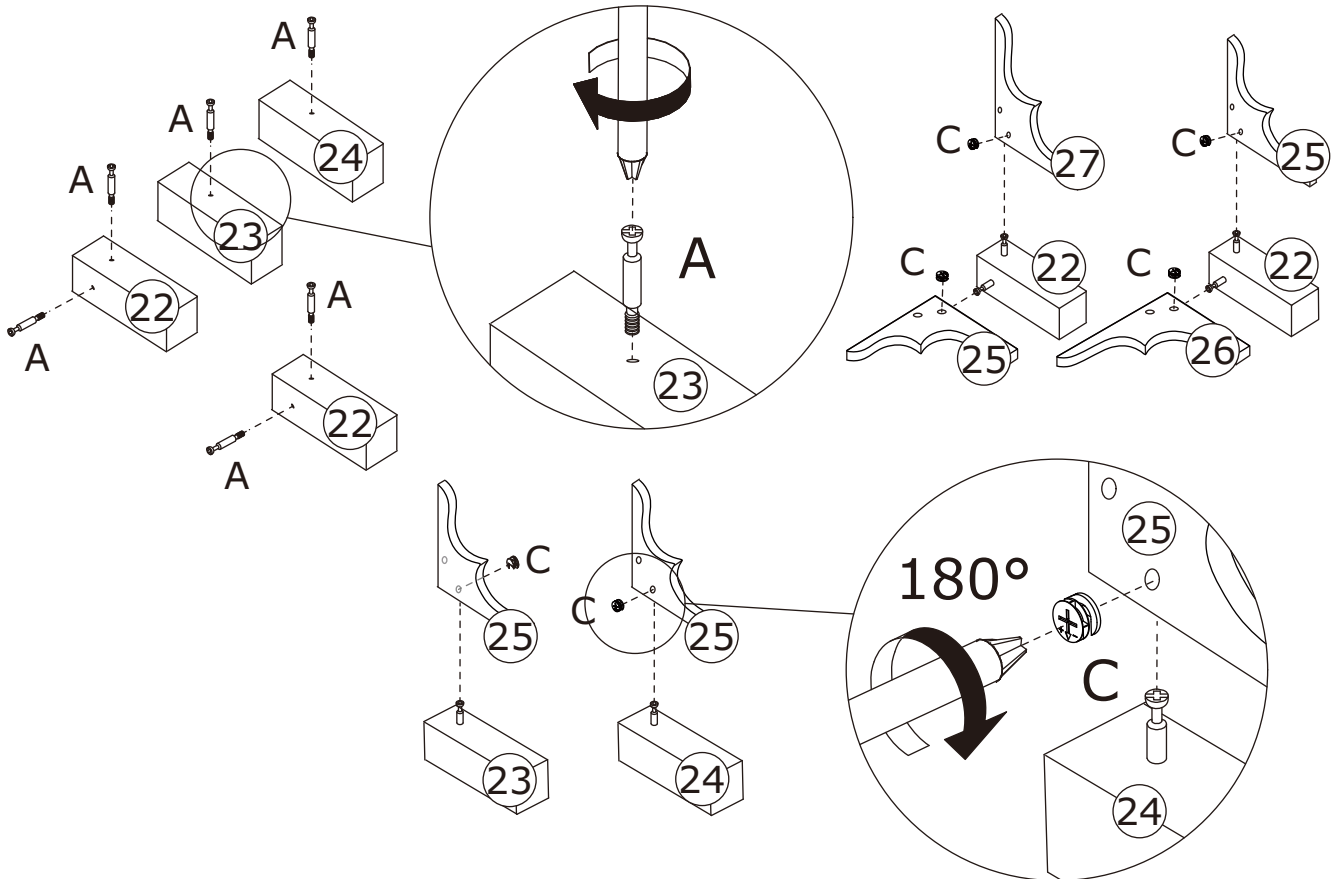
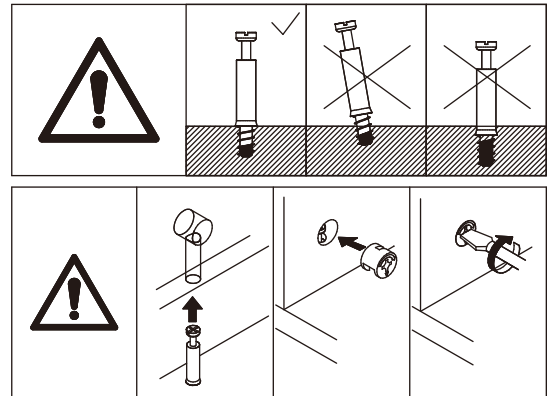
1



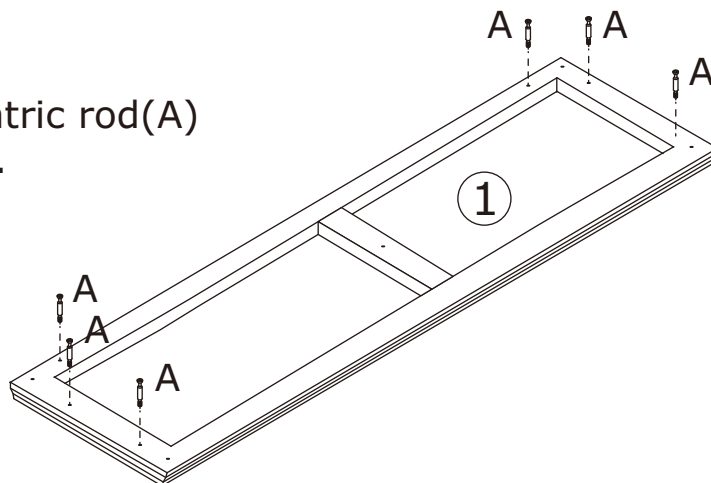
Screw eccentric rod(A) into leg 22, 23 and 24 at first.

Attach panel 25 and 27 to leg 22; panel 25 and 26 to leg 22, add cam lock(C) into panel 25,26,27 and turn clockwise to tighten as shown.




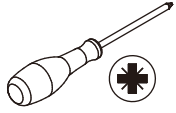
Attach panel 25 to leg 23 and 24, add cam lock(C) into panel 25 and turn clockwise to tighten as shown.

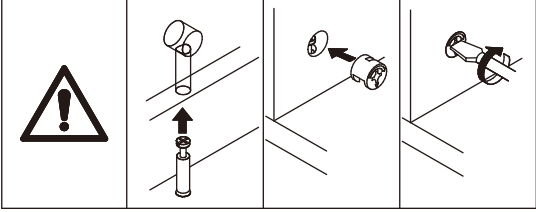


Screw eccentric rod(A) into panel 1.

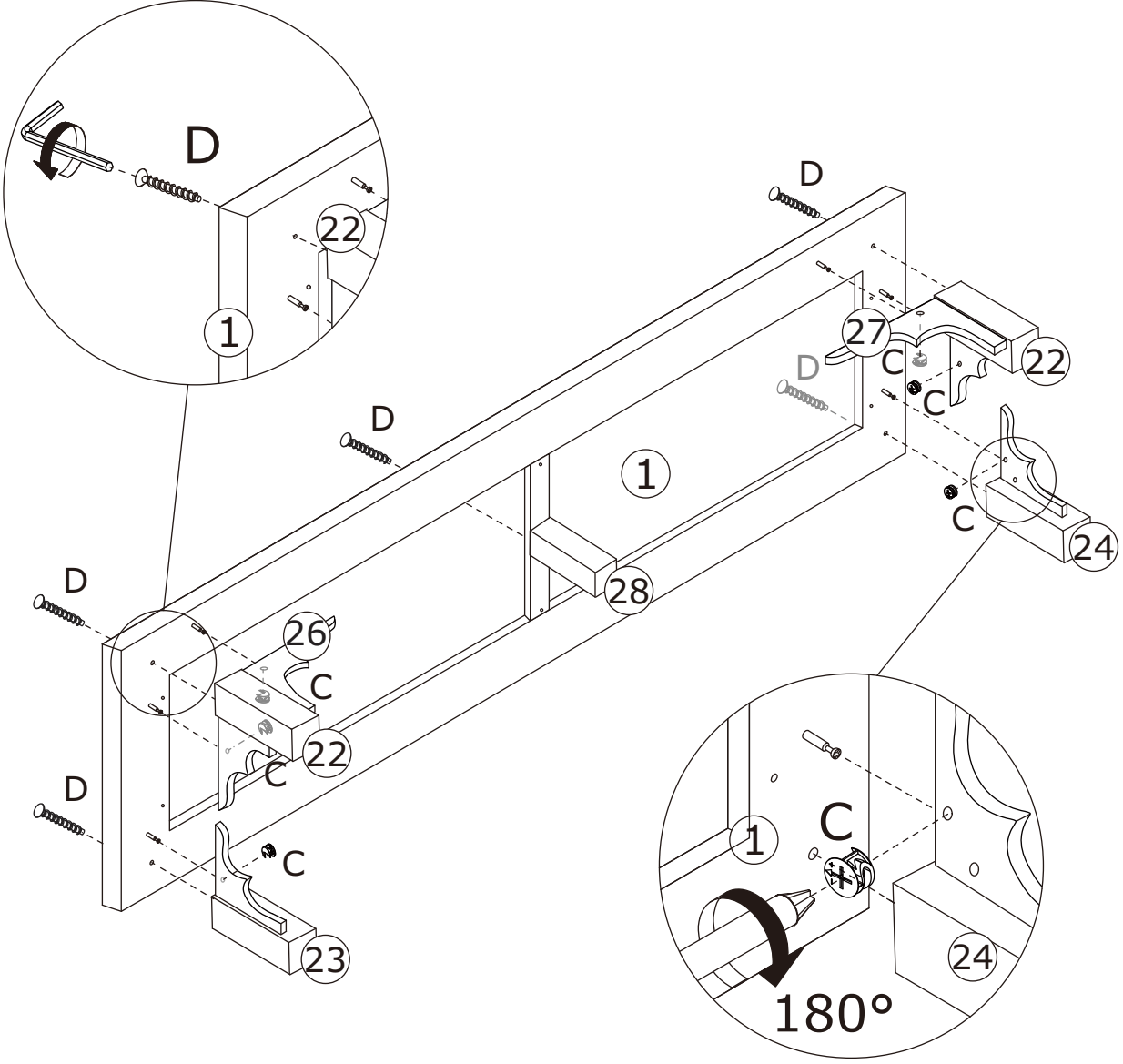


2

<p>C x 6</p>  <p>Ø 15 x 10 mm</p>	<p>D x 5</p>  <p>Ø 6 x 50 mm</p>	<p>J x 1</p> 	 <p>+</p>
--	---	--	--



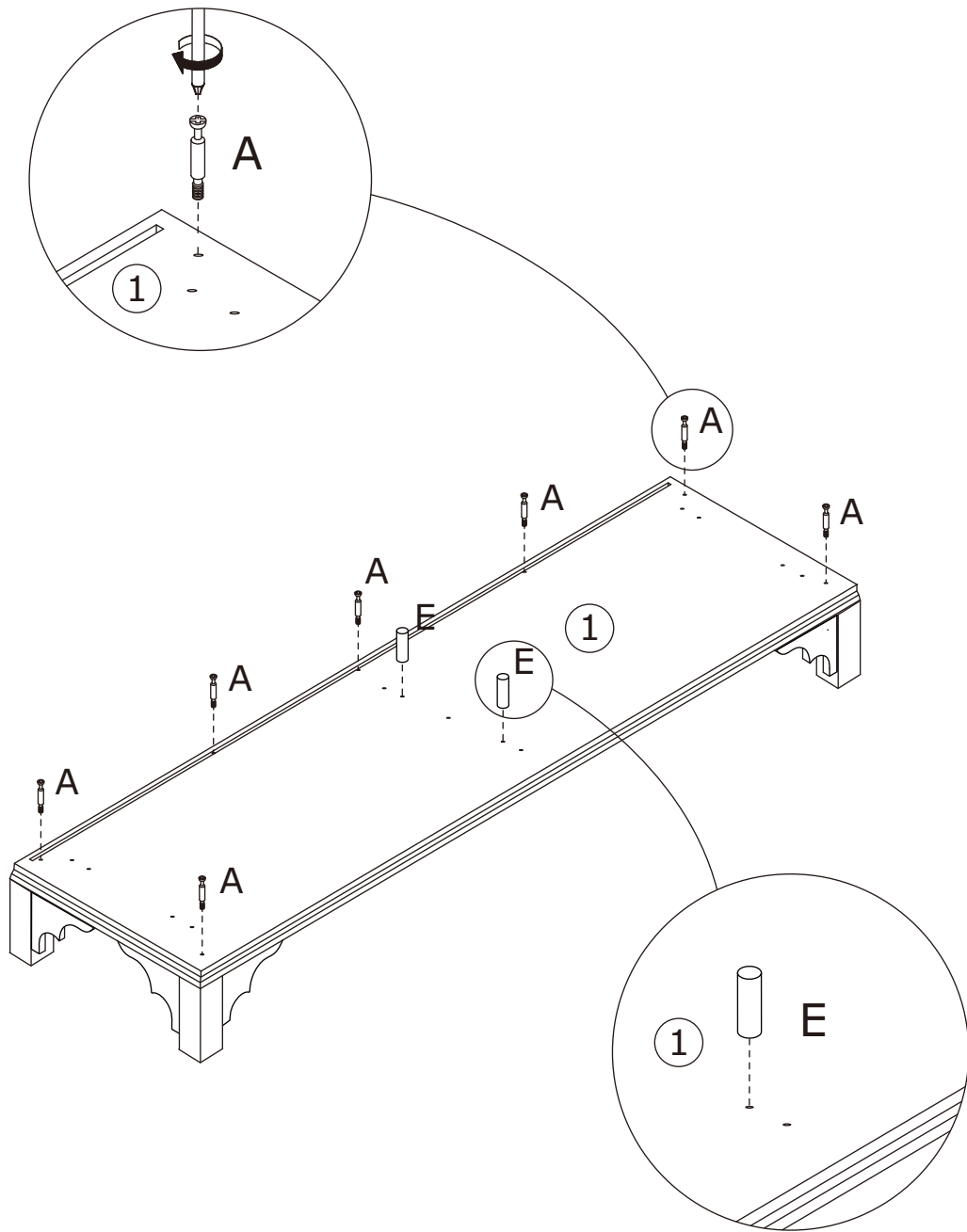
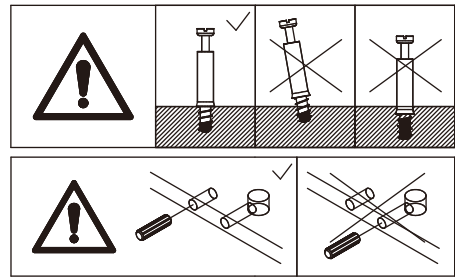
Fix the four components and leg support 28 to panel 1 with screw(D) as shown.



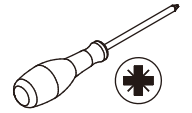
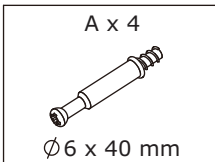
3

<p>A x 7  Ø6 x 40 mm</p>	<p>E x 2  Ø6 x 30 mm</p>	
---	---	---

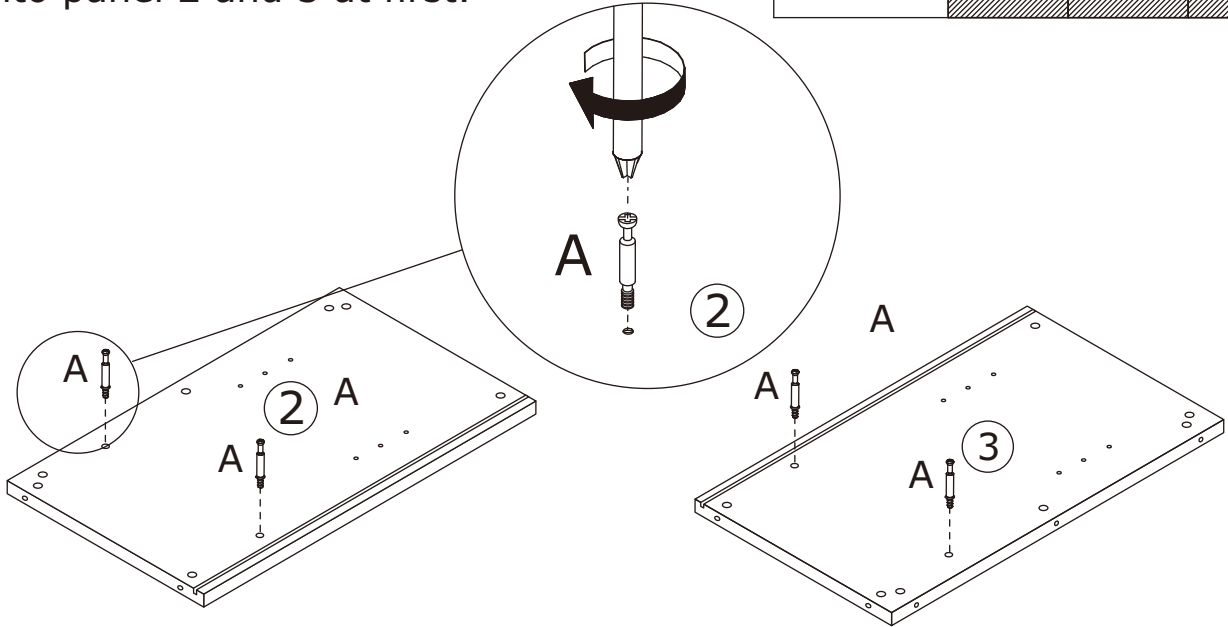
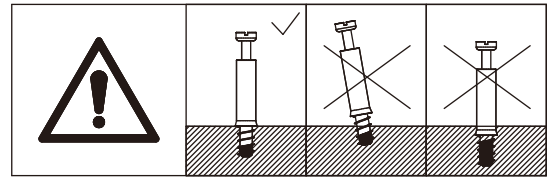
Screw eccentric rod(A) and insert dowel(E) into panel 1.



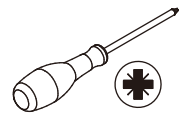
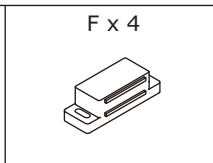
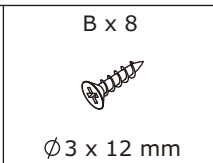
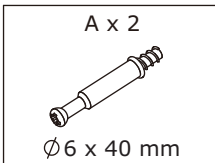
4



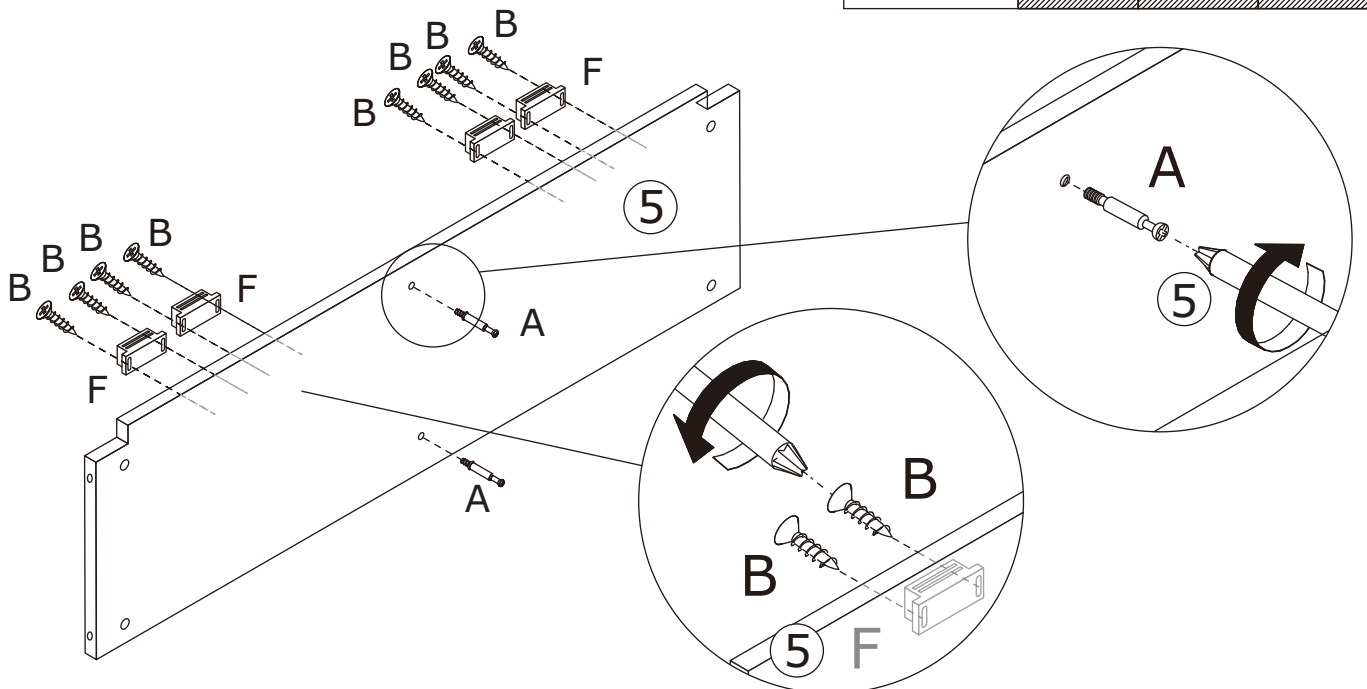
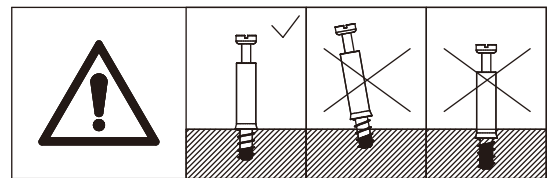
Screw eccentric rod(A)
into panel 2 and 3 at first.



5

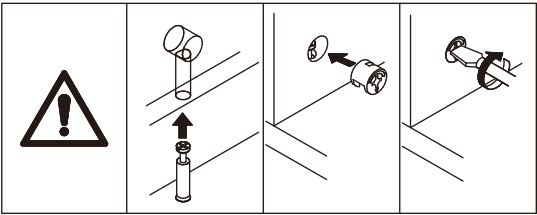
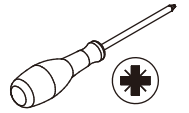


Fix part(F) to panel 5 with screw(B)
as shown.
Screw eccentric rod(A) into panel 5.

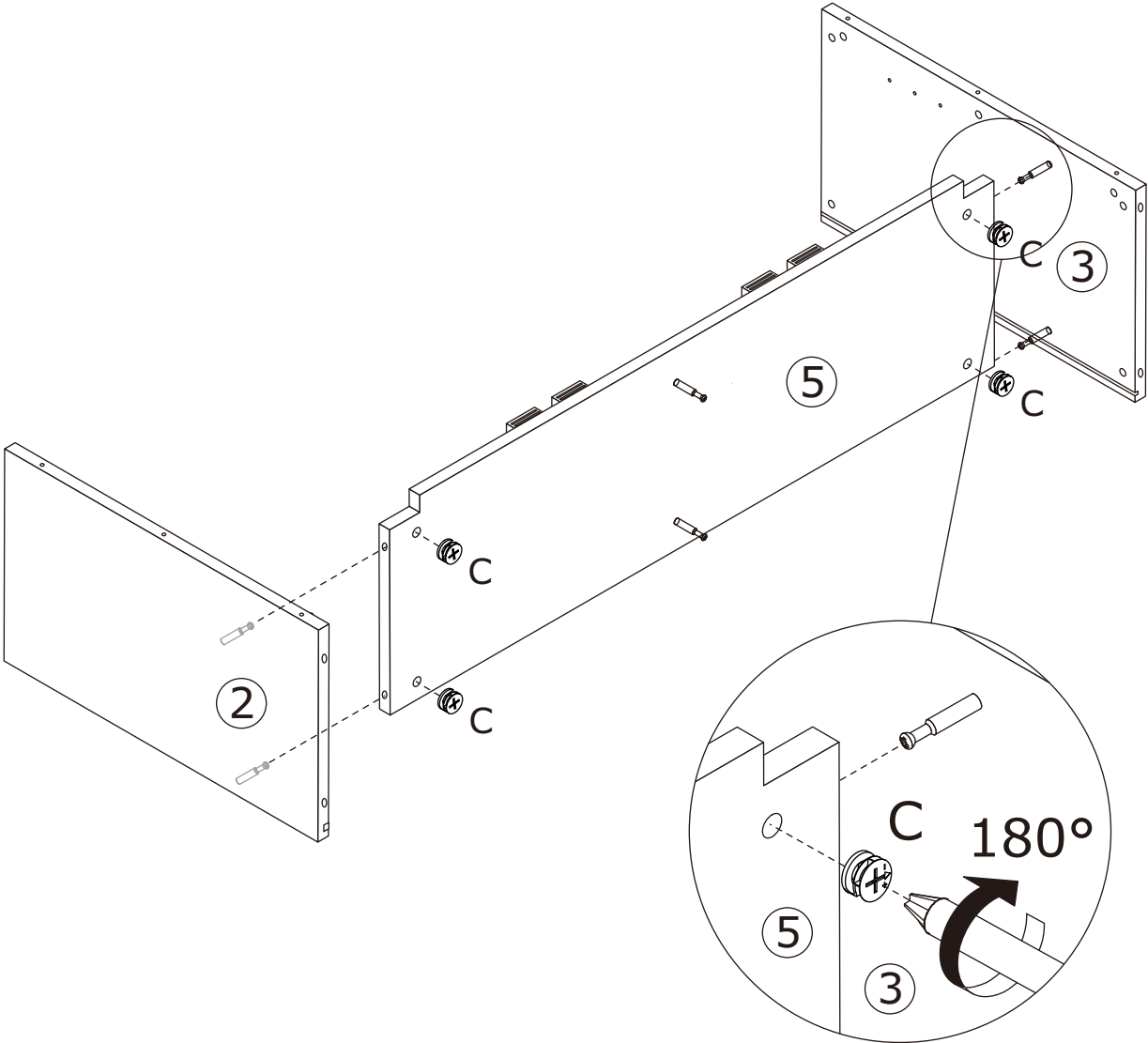


6

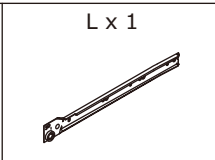
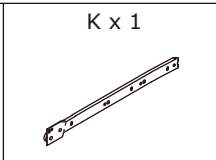
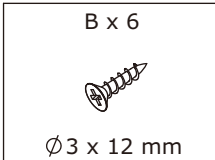
C x 4
Ø 15 x 10 mm



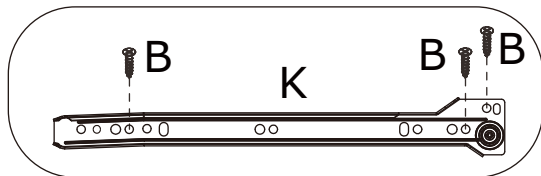
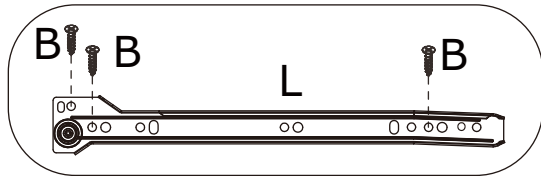
Connect panel 2 and 3 to panel 5,
add cam lock(C) into panel 5 and turn
clockwise to tighten as shown.



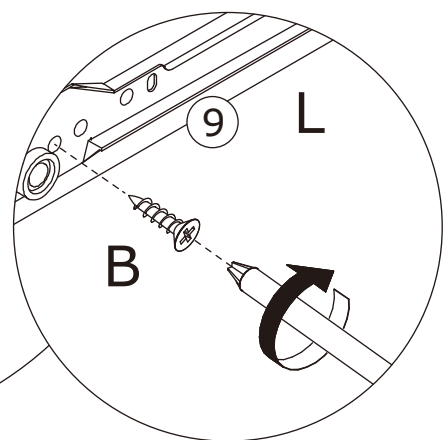
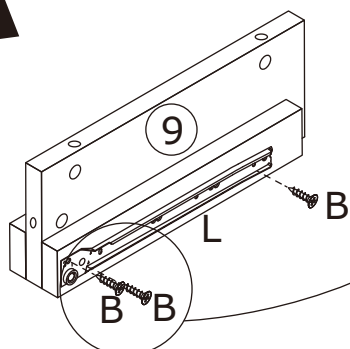
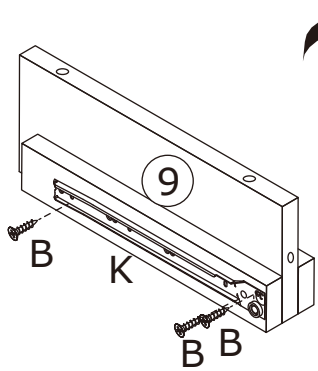
7



Fix slide rail(K, L) to **the same panel 9** with screw(B).

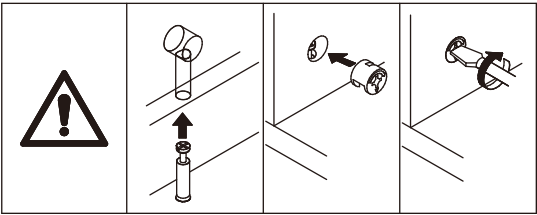
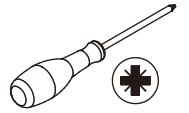


Flip to back

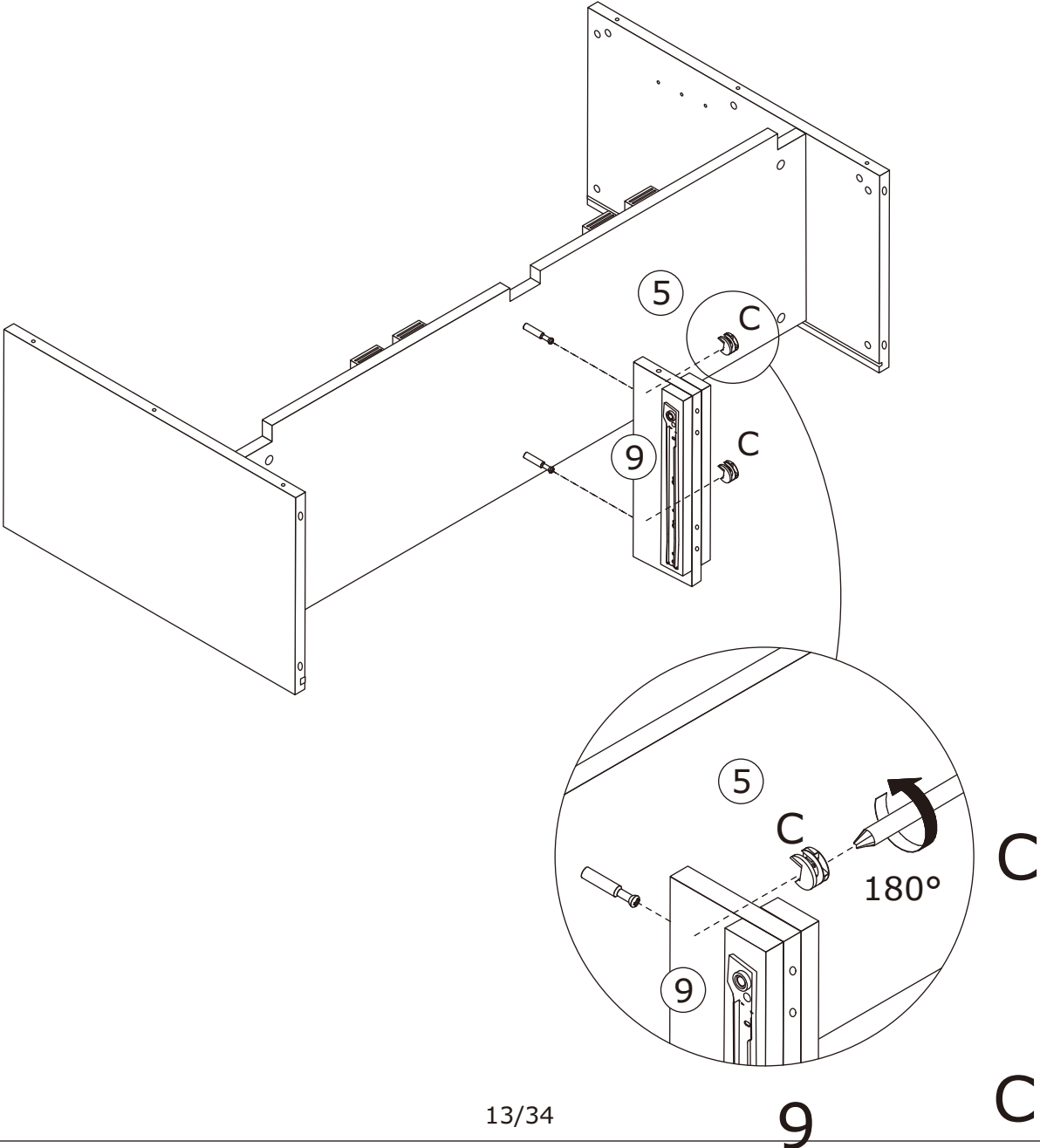


8

C x 2
Ø15 x 10 mm



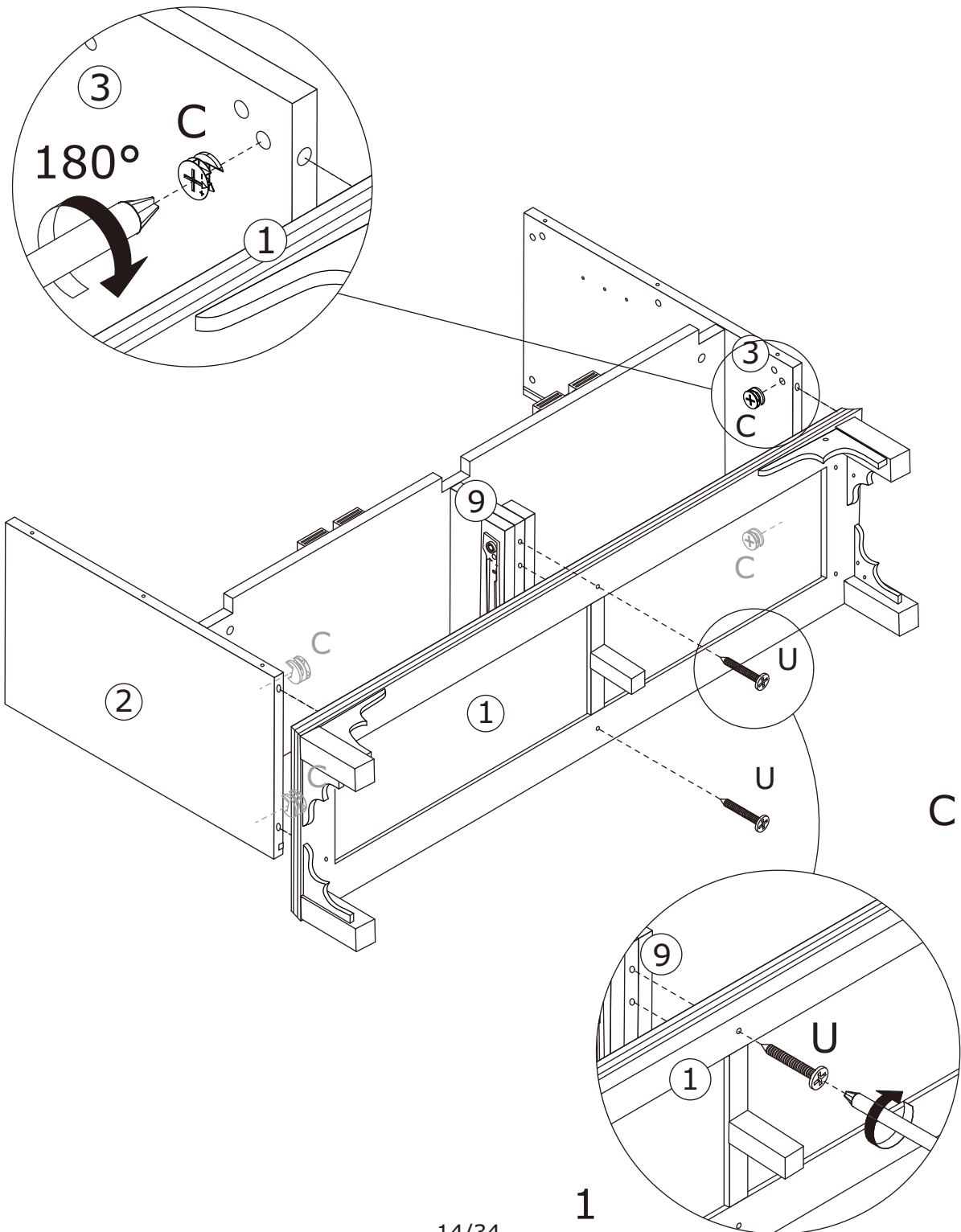
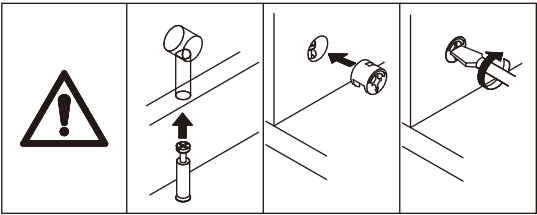
Attach panel 9 to panel 5, add cam lock(C) into and turn clockwise to tighten as shown.






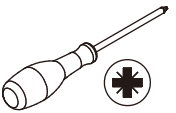
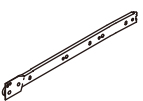
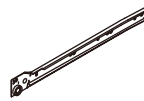
9



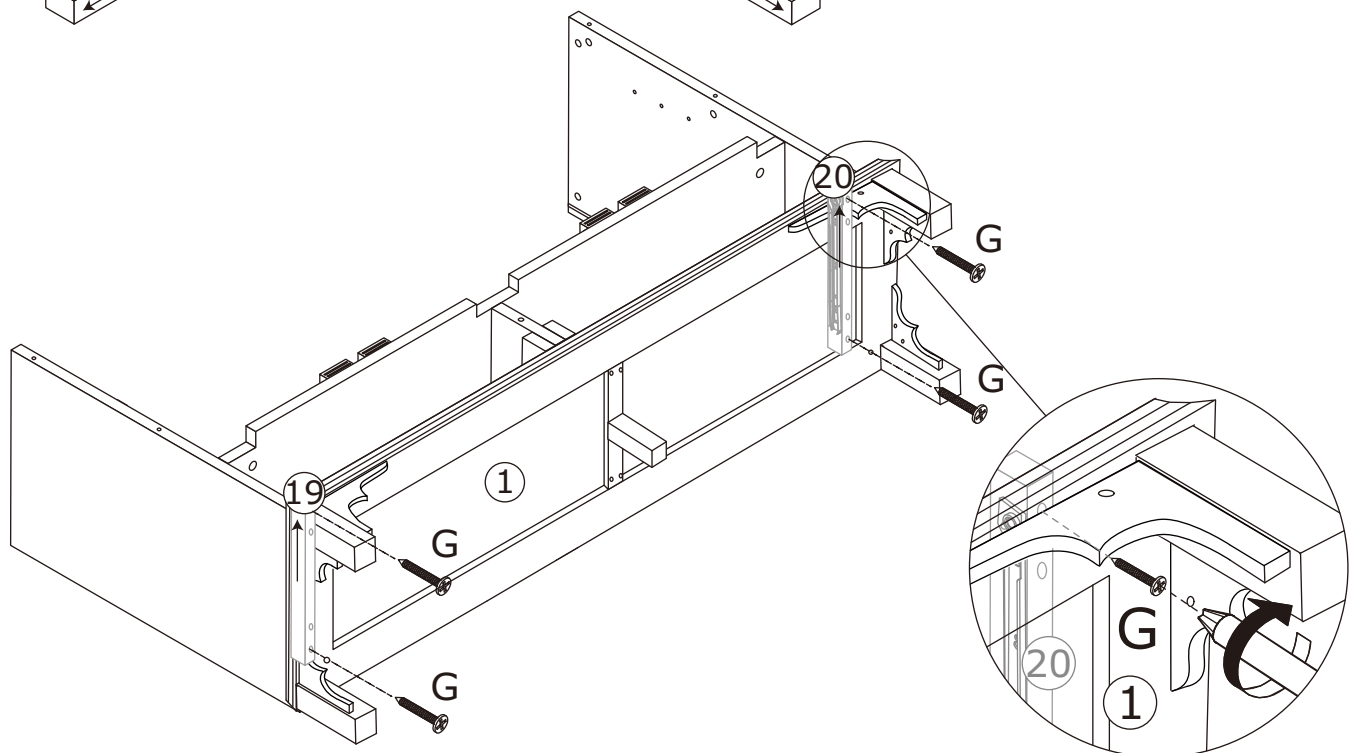
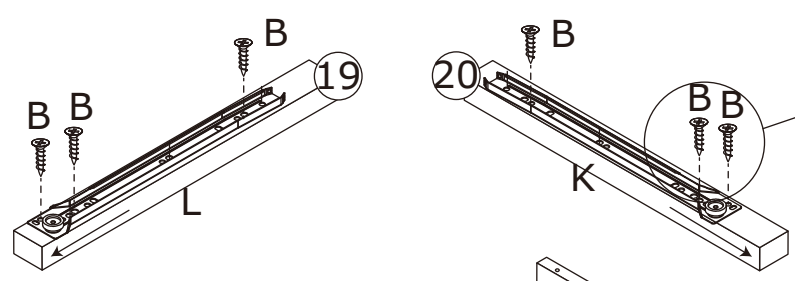
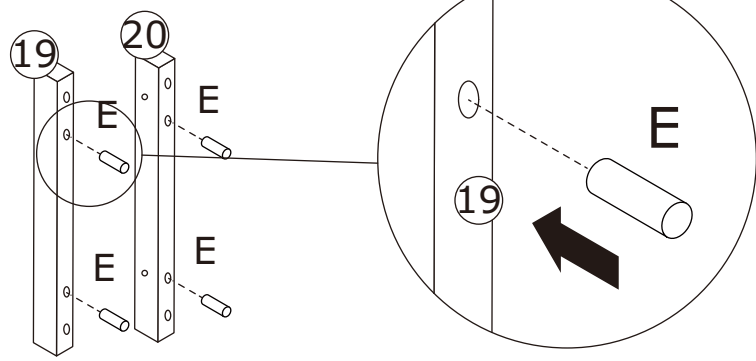
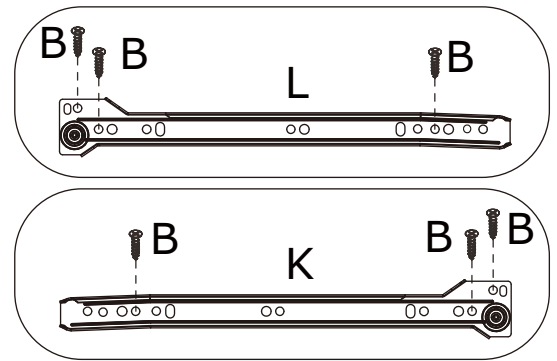
Fix panel 1 to panel 9 with screw(U) as shown.
Attach panel 1 to panel 2 and 3, add cam lock(C) into and turn clockwise to tighten as shown.



10

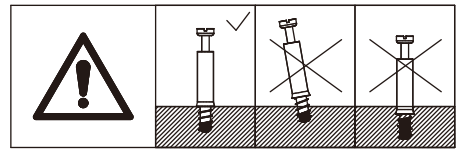
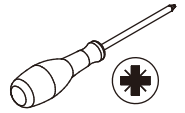
B x 6  Ø3 x 12 mm	E x 4  Ø6 x 30 mm	G x 4  Ø3.5 x 25 mm	
K x 1 	L x 1 		

Insert wooden dowel(E) into panel 19 and 20.
Fix rail(K) and (L) to panel 20 and 19 with screw(B) as shown.
Fix panel 19 and 20 to panel 1 with screw(G) as shown.

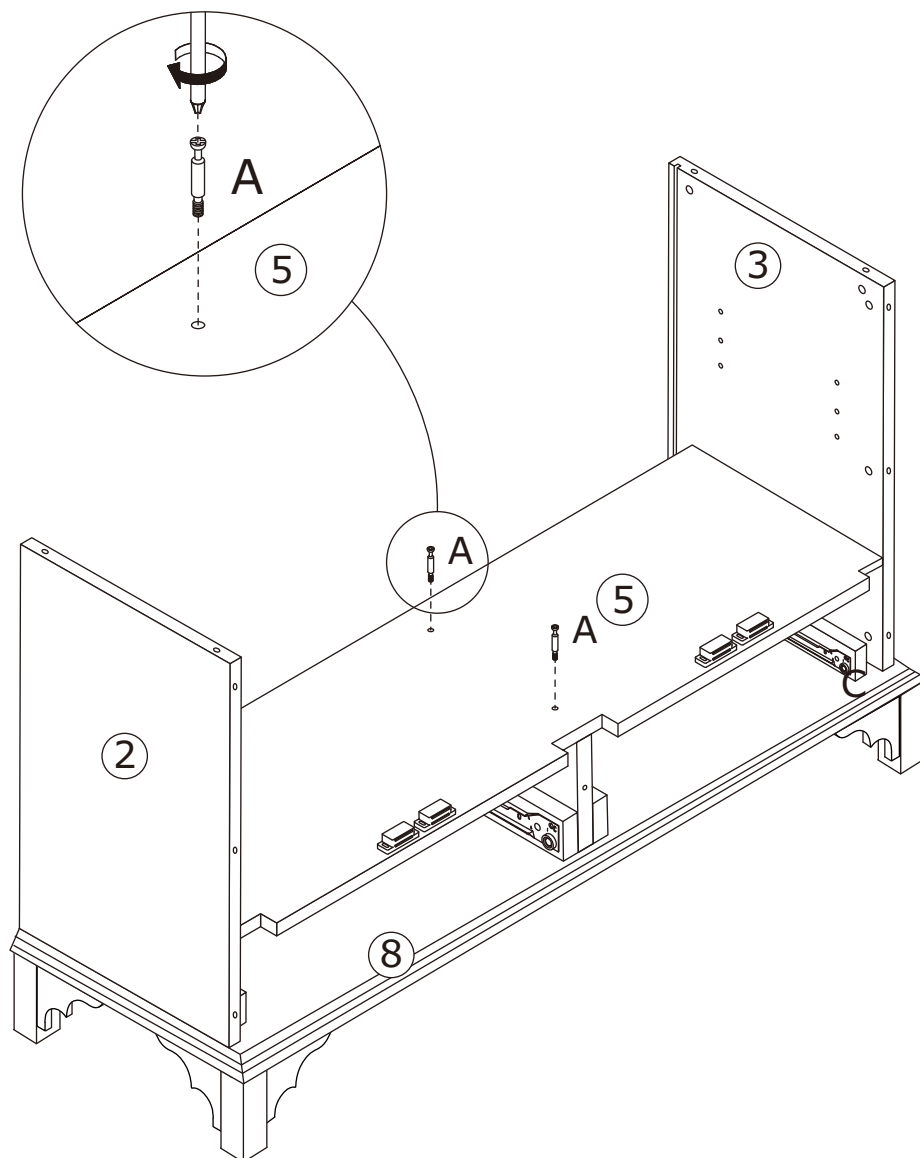


11

A x 2
Ø6 x 40 mm



Screw eccentric rod(A) into panel 5.

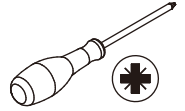


12

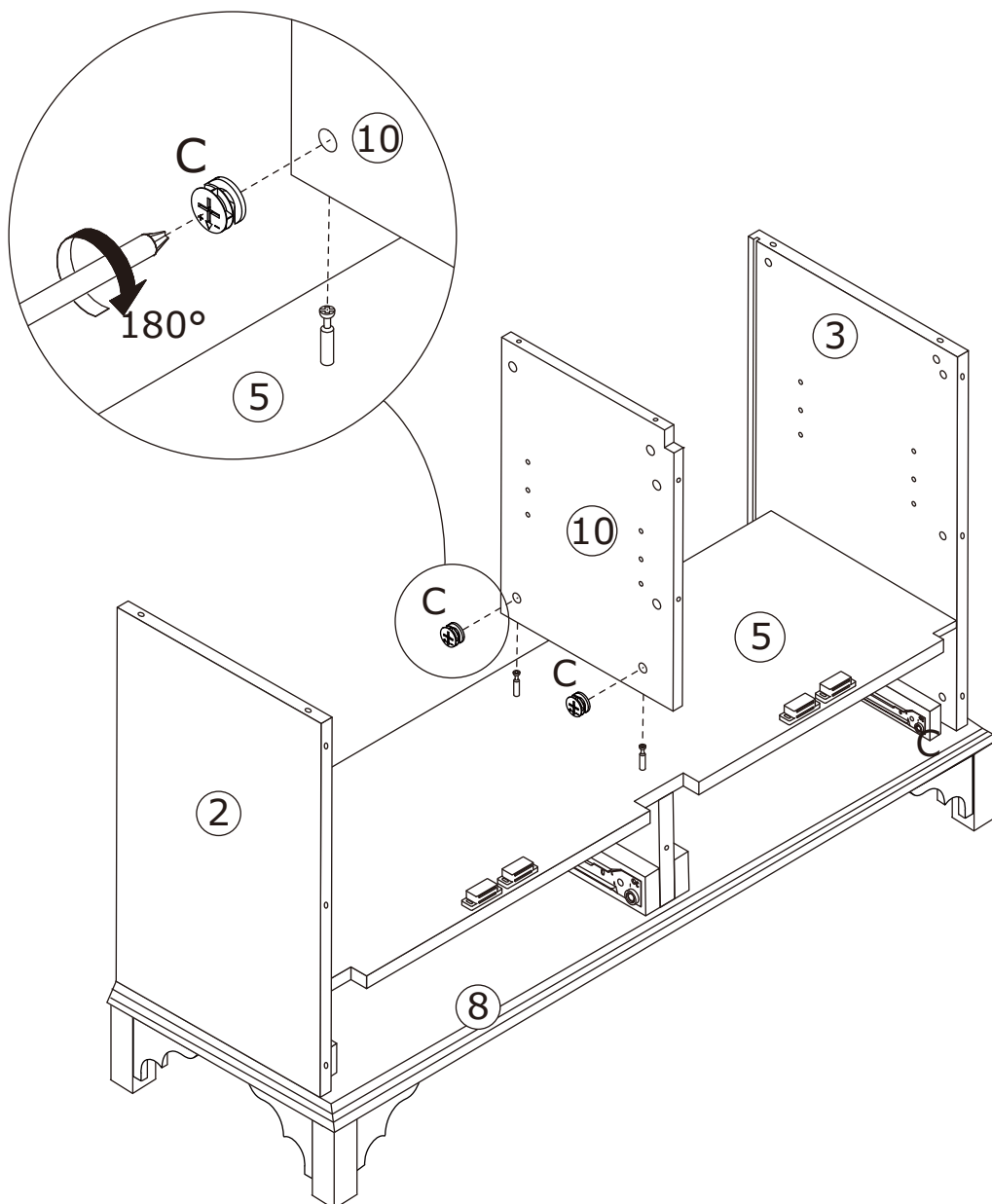
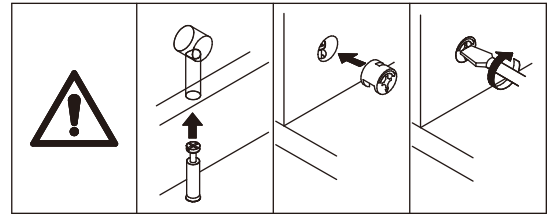
C x 2



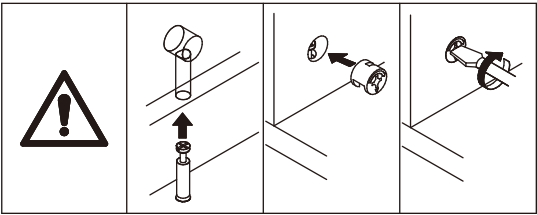
Ø15 x 10 mm



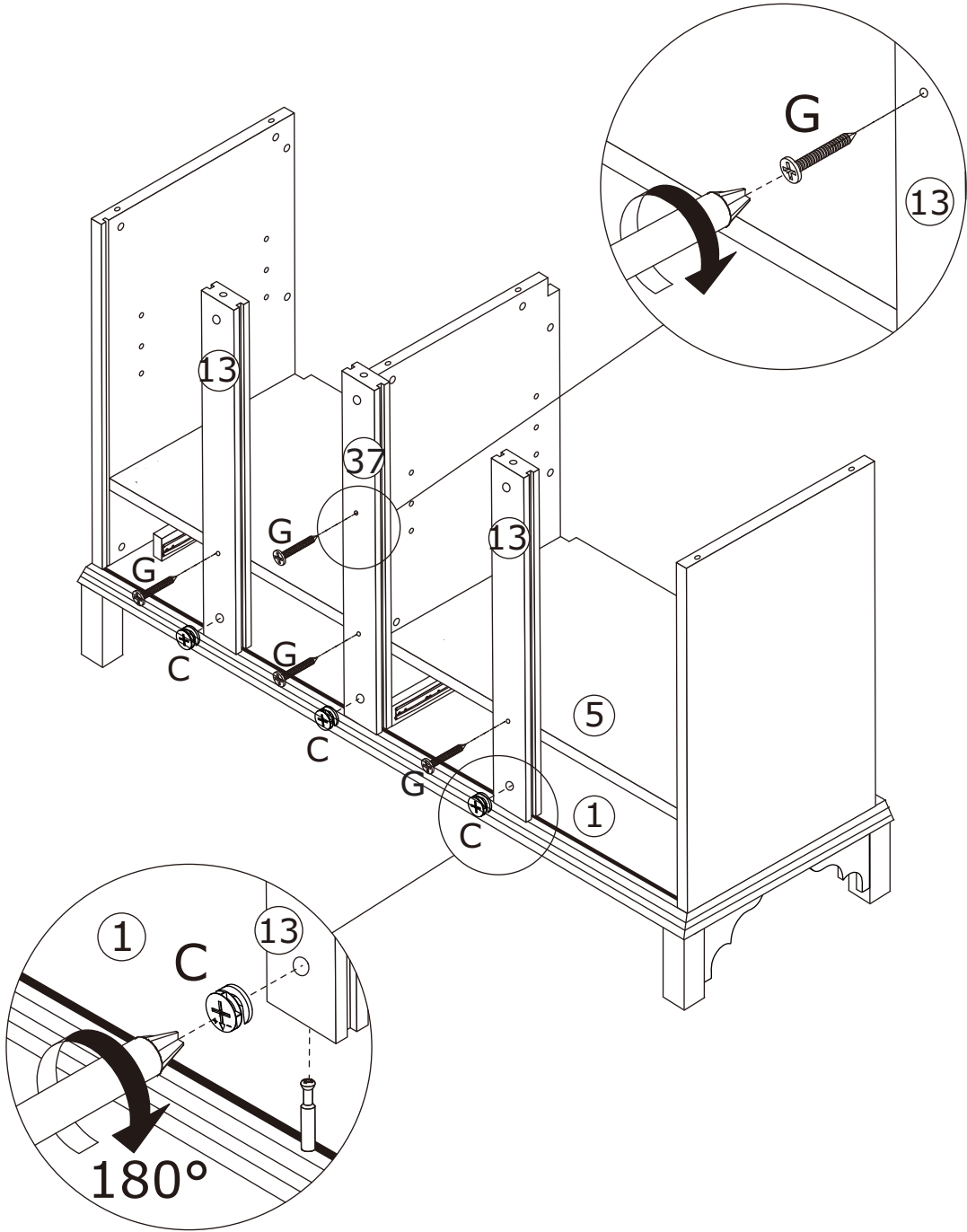
Attach panel 10 to panel 5, add cam lock(C) into and turn clockwise to tighten as shown.



13



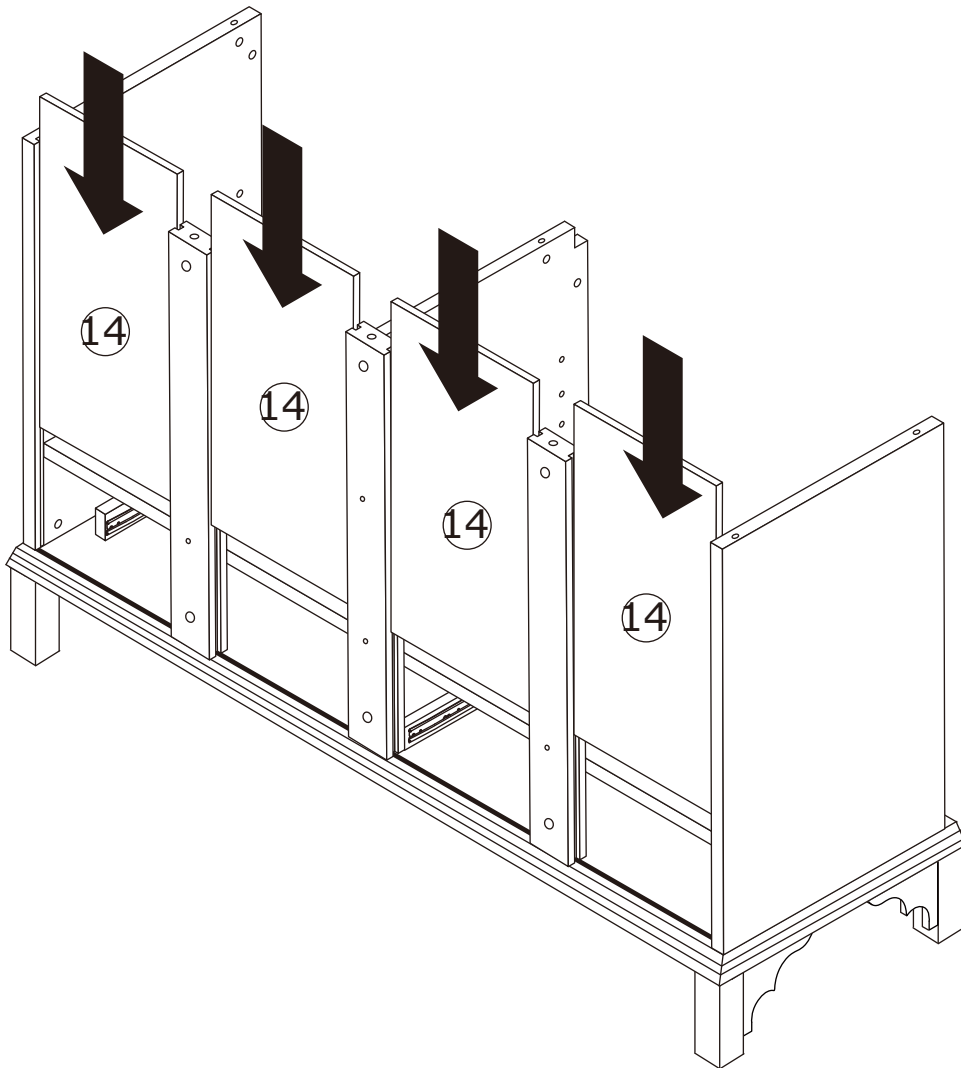
Attach panel 13 and 37 to panel 1, add cam lock(C) into and turn clockwise to tighten as shown.
Fix panel 13 and 37 to panel 5 and 10 with screw(G) as shown.



14



Insert back panel 14 along available grooves as shown.

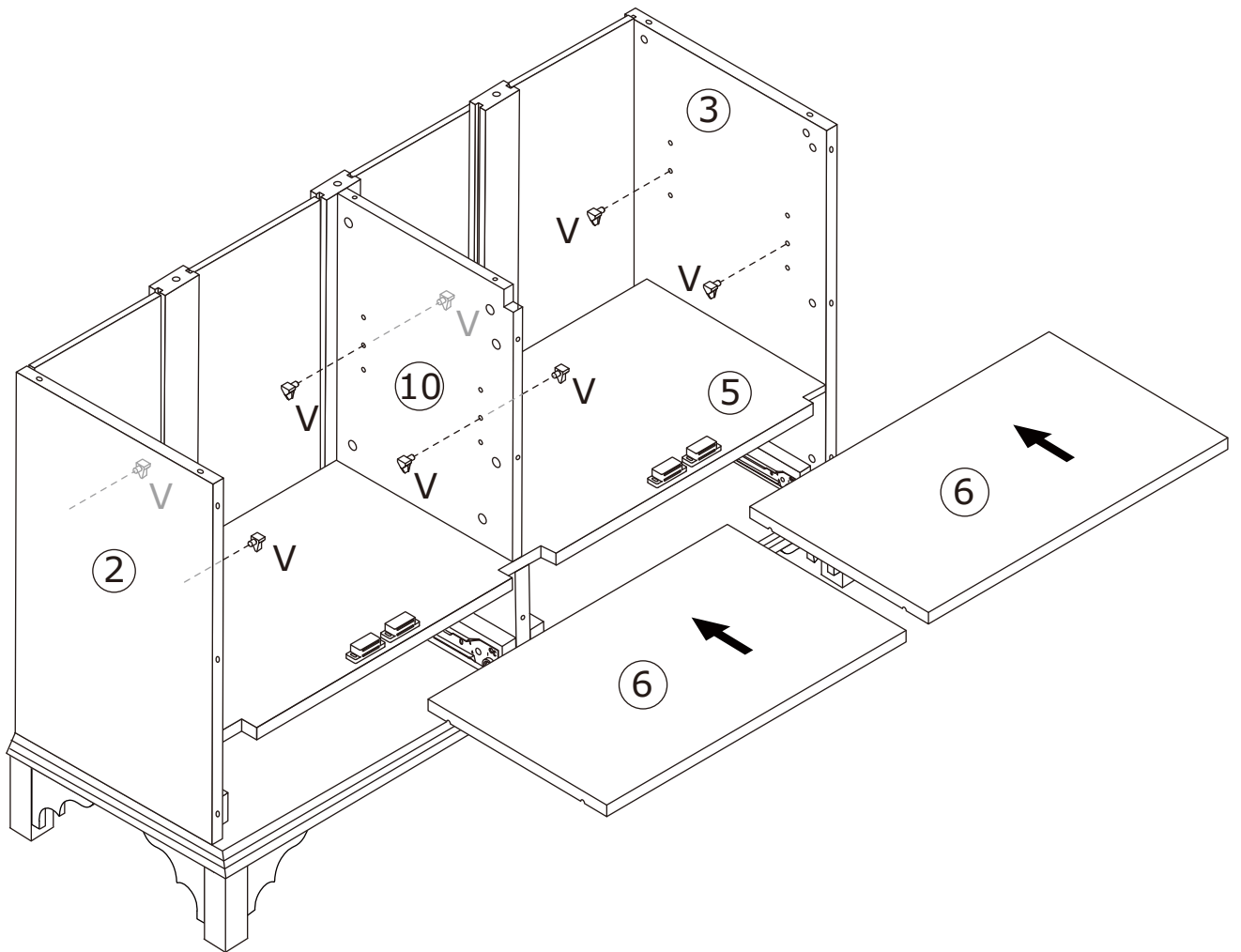


15

V x 8



Insert layer pin(V) into panel 2, 10,
3 and place shelf panel 6.



16

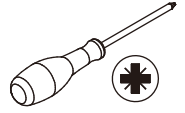
A x 17



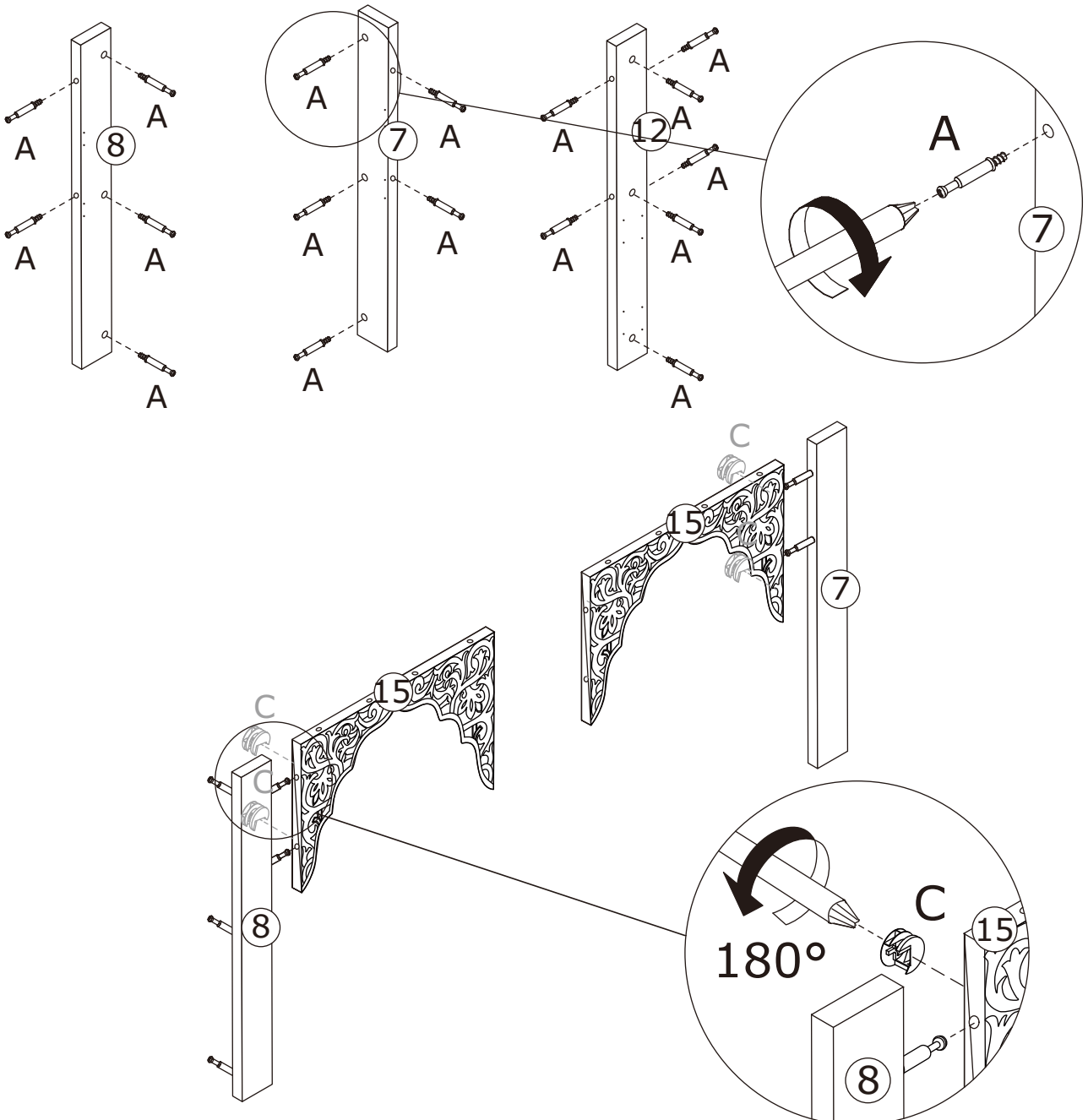
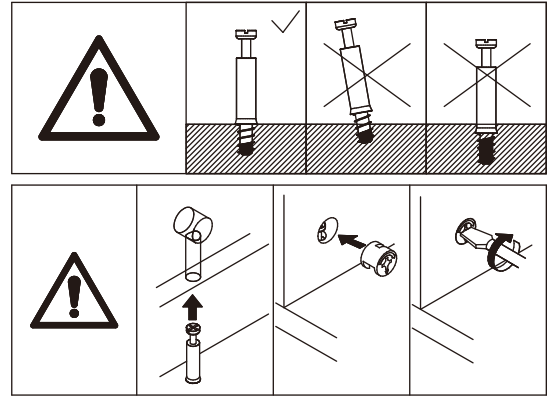
C x 4



Ø15 x 10 mm



Screw eccentric rod(A) into panel 8, 7 and 12 at first.
Attach panel 15 to panel 8;
panel 15 to panel 7, add cam
lock(C) into and turn clockwise
to tighten as shown.

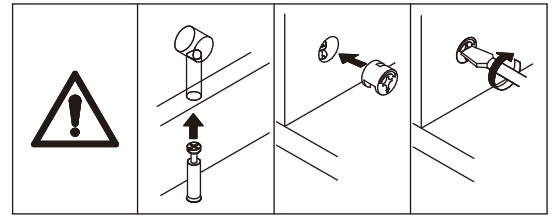
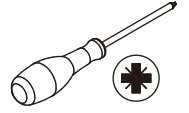


17

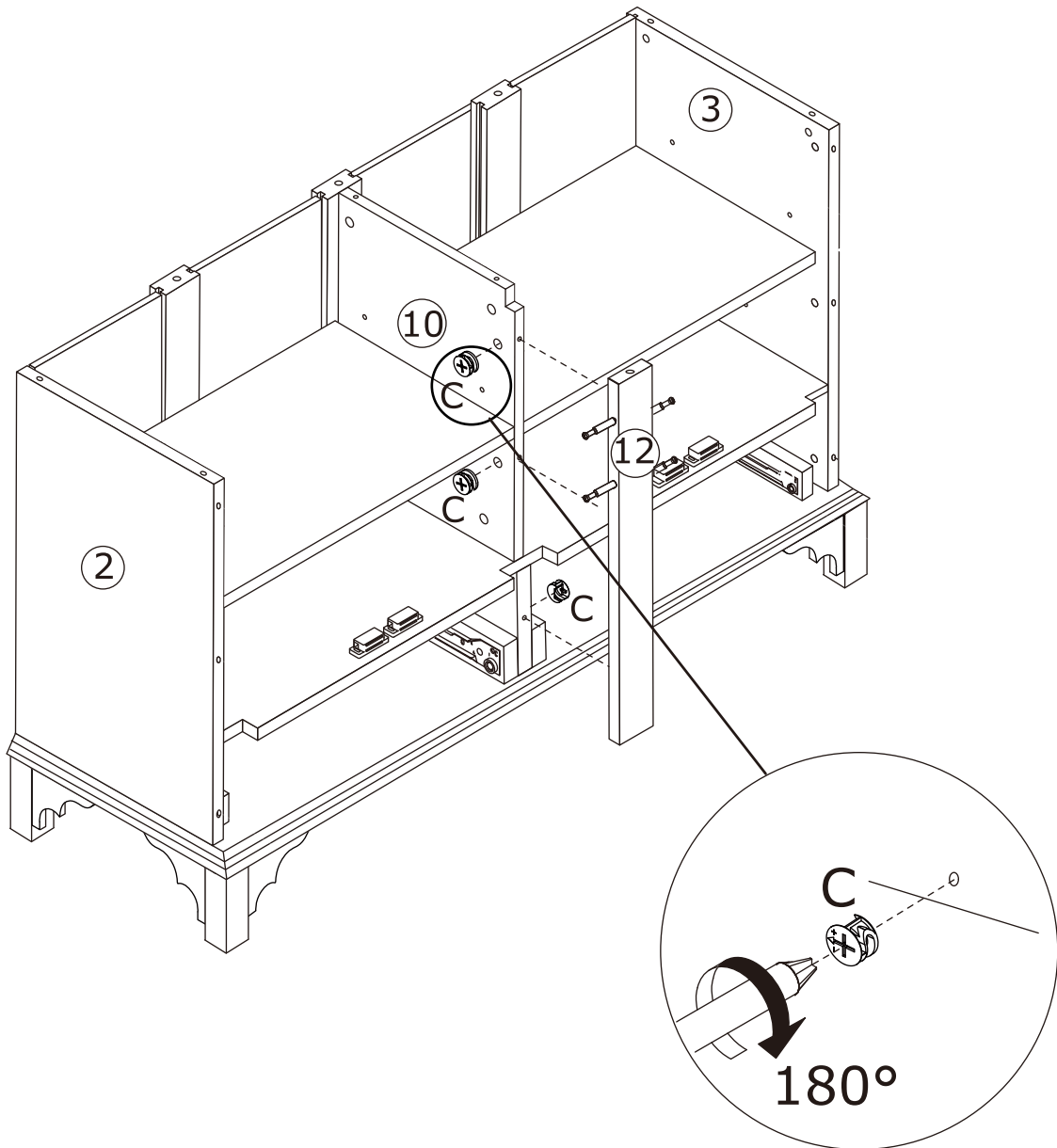
C x3



Ø15 x 10 mm

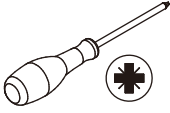


Attach panel 12 to panel 10, add cam lock(C) into and turn clockwise to tighten as shown.

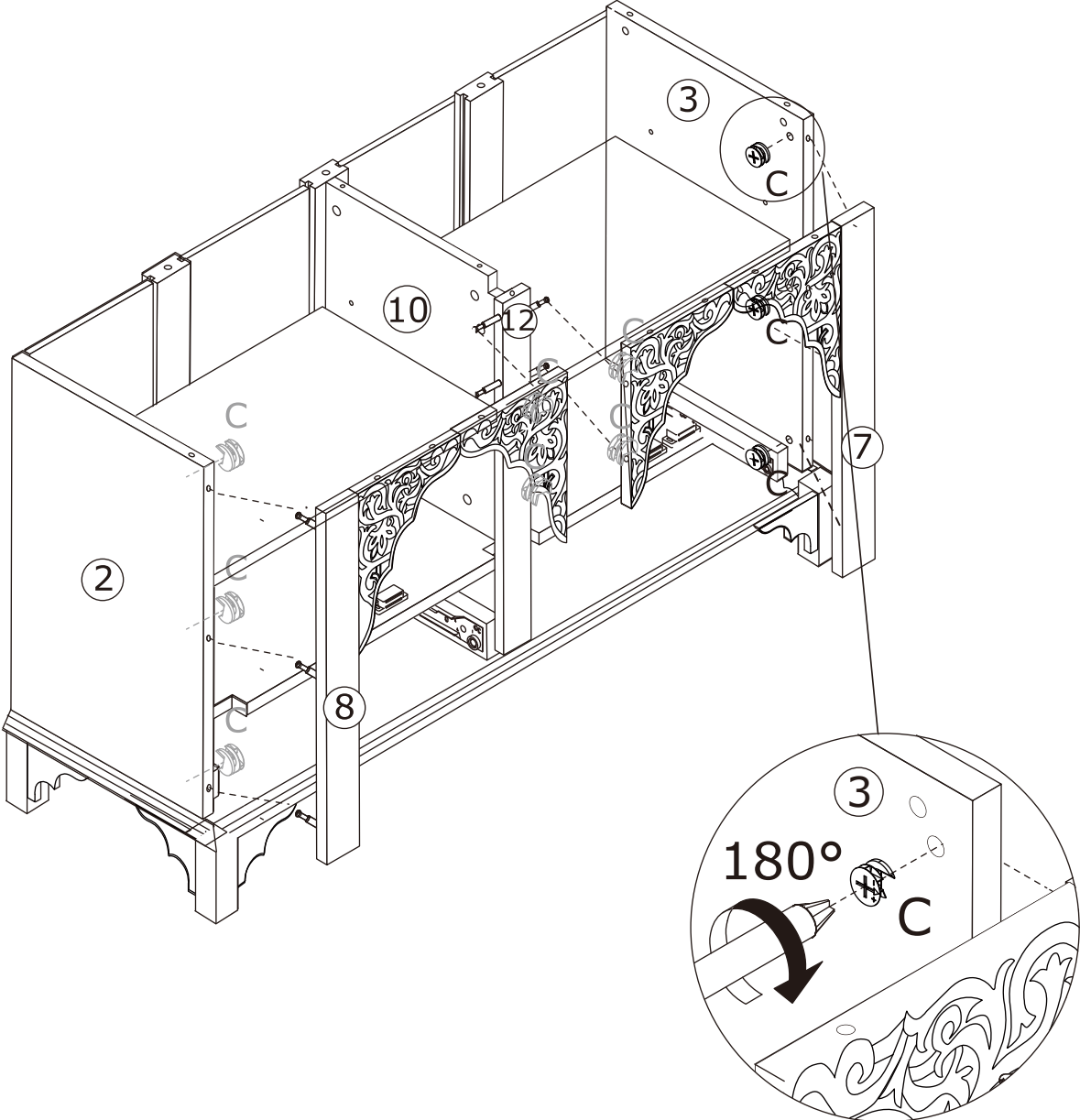
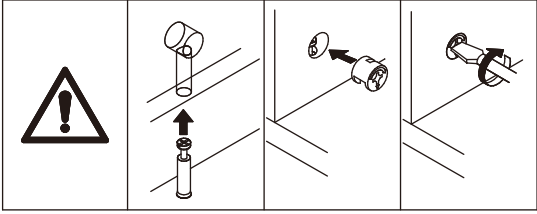


18

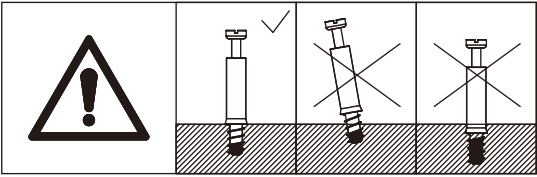
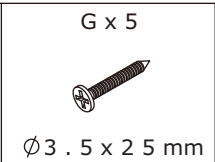
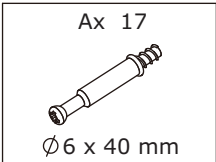
C x10
Ø15 x 10 mm



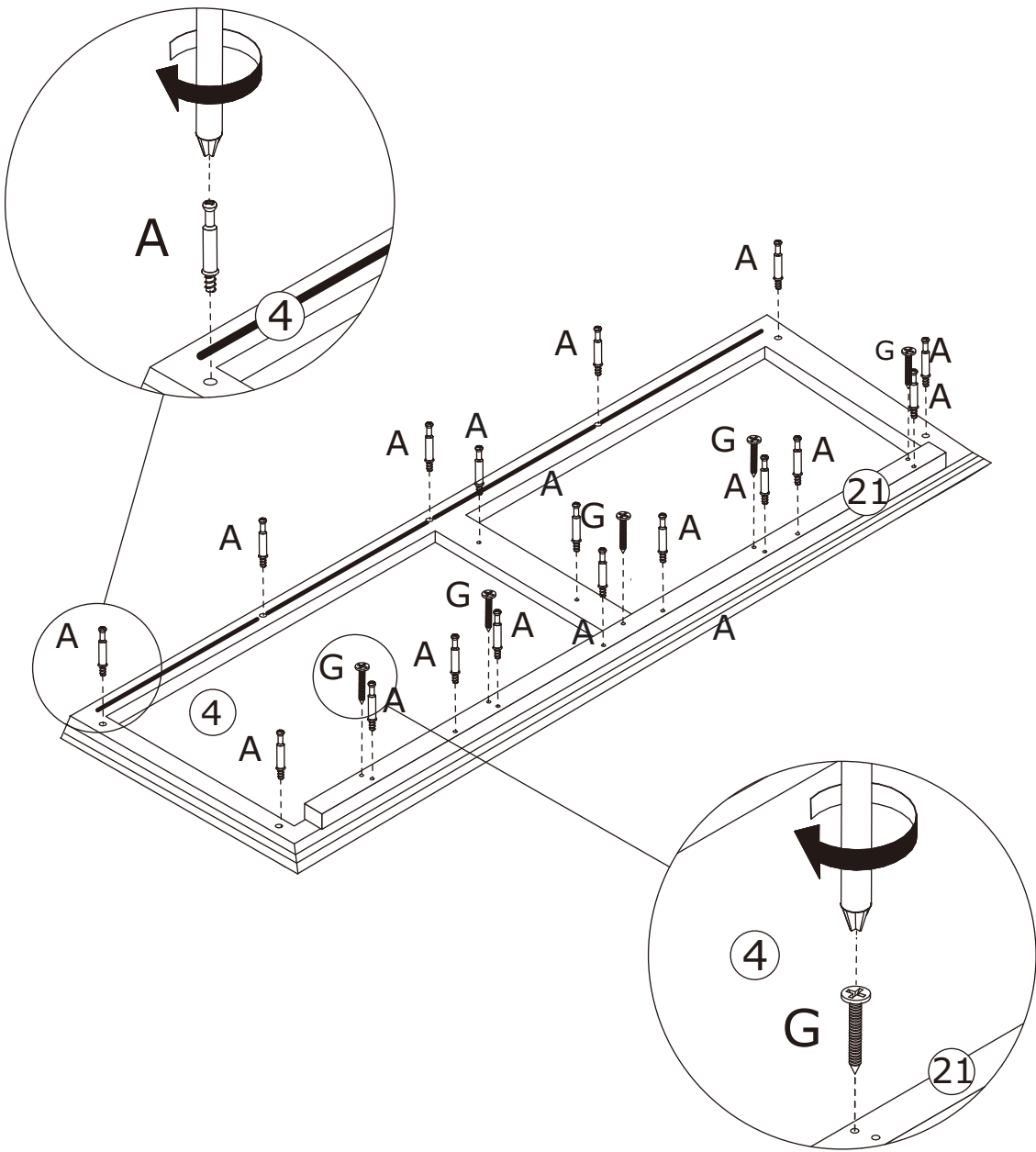
Attach panel 15 to panel 12; panel 8 to panel 2; panel 15 to panel 12; panel 7 to panel 3, add cam lock(C) into and turn clockwise to tighten as shown.



19



Screw eccentric rod(A) into panel 4 at first.
Fix panel 21 to panel 4 with screw(G) as shown.

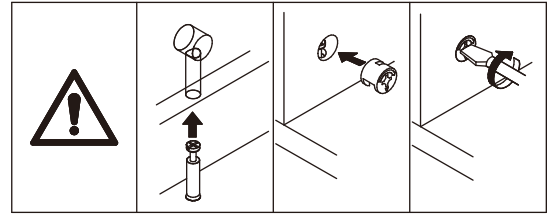
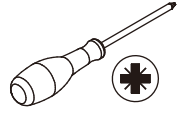


20

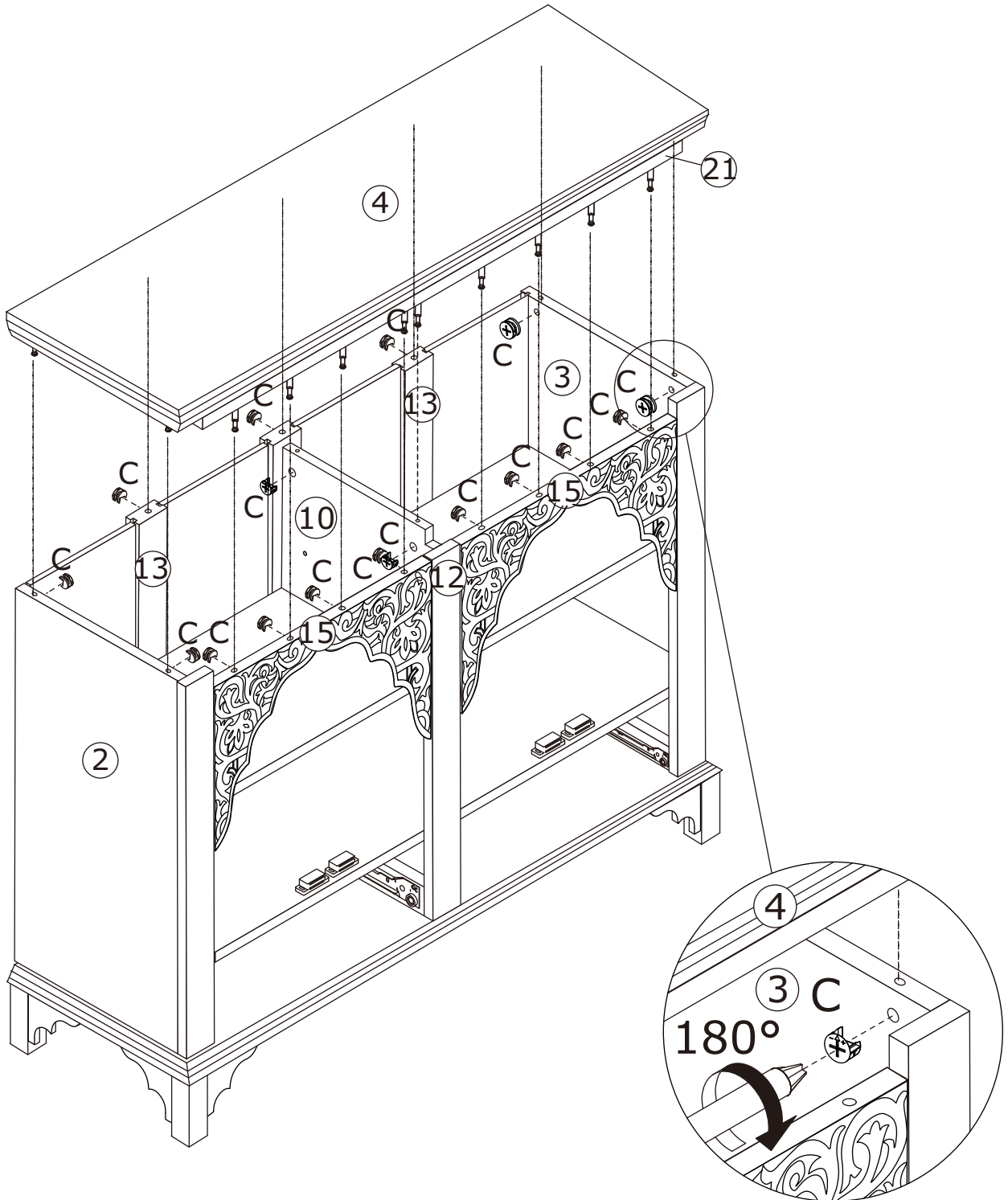
Cx 17




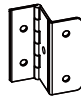

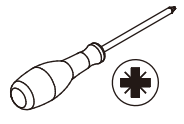

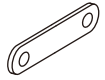

Ø15 x 10 mm



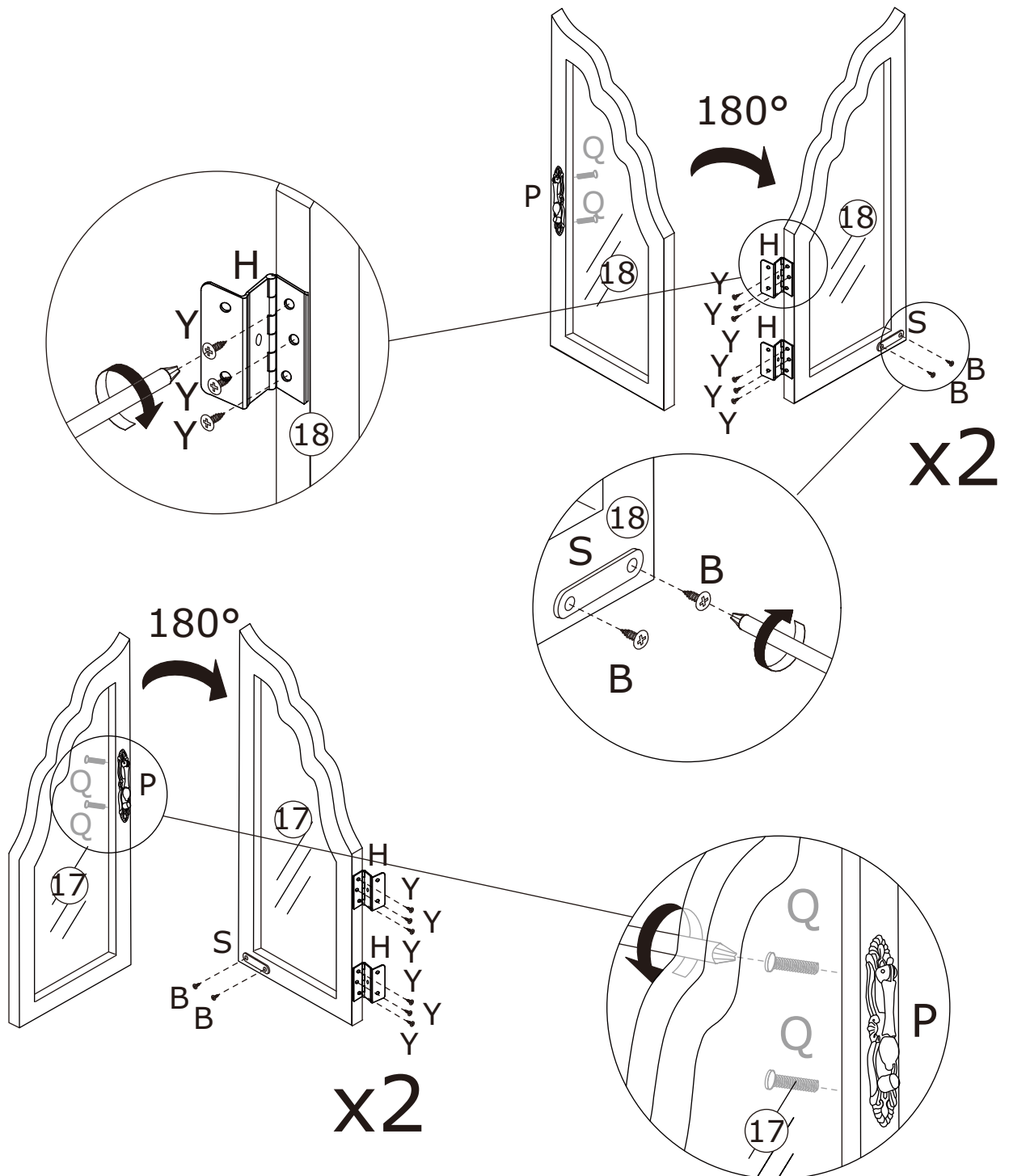
Attach panel 4 to top, add cam lock(C) into and turn clockwise to tighten as shown.



21

<p>B x 8</p>  <p>Ø3 x 12 mm</p>	<p>H x 8</p> 	<p>P x 4</p> 	
<p>Q x 8</p>  <p>Ø4 x 22 mm</p>	<p>S x 4</p> 	<p>Y x 24</p>  <p>Ø2.5 x 14mm</p>	

Mount hinge (H) to panels 17 and 18 secured with screws (Y), parts (S) mounted to panels 17 and 18 secured with screws (B), and handle (P) secured with screws (Q) as shown.

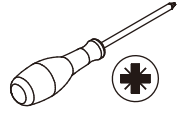


22

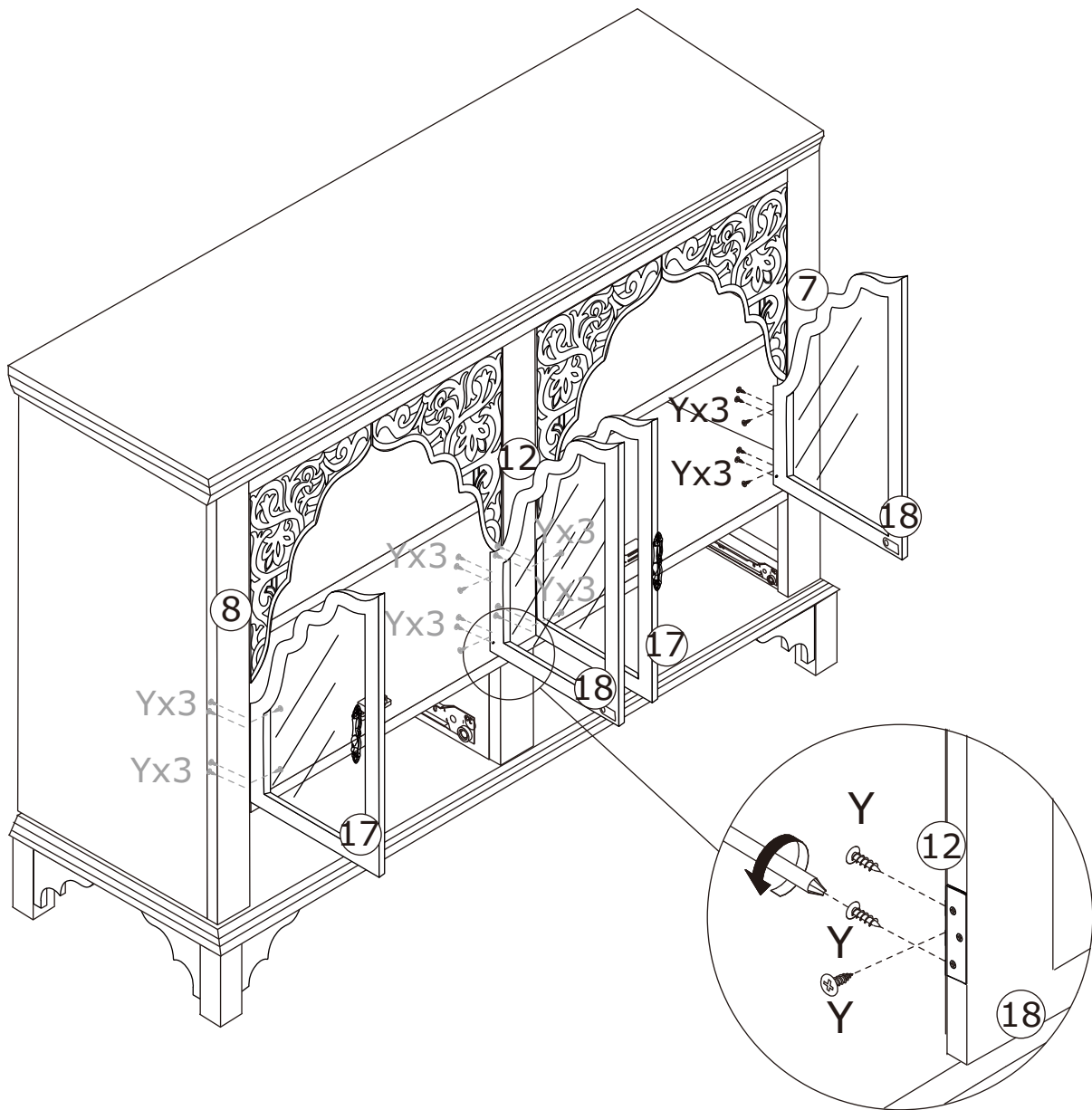
Y x 24



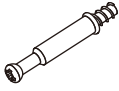



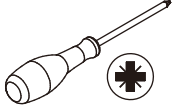
Ø2.5 x 14 mm

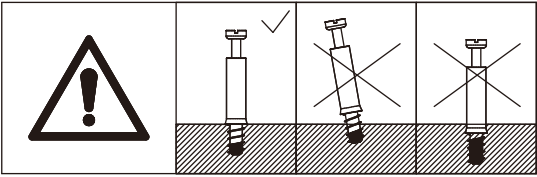


Assemble door panels 17 and 18 to door panels 8, 12 and 7, securing the hinges with screws (Y) as shown.

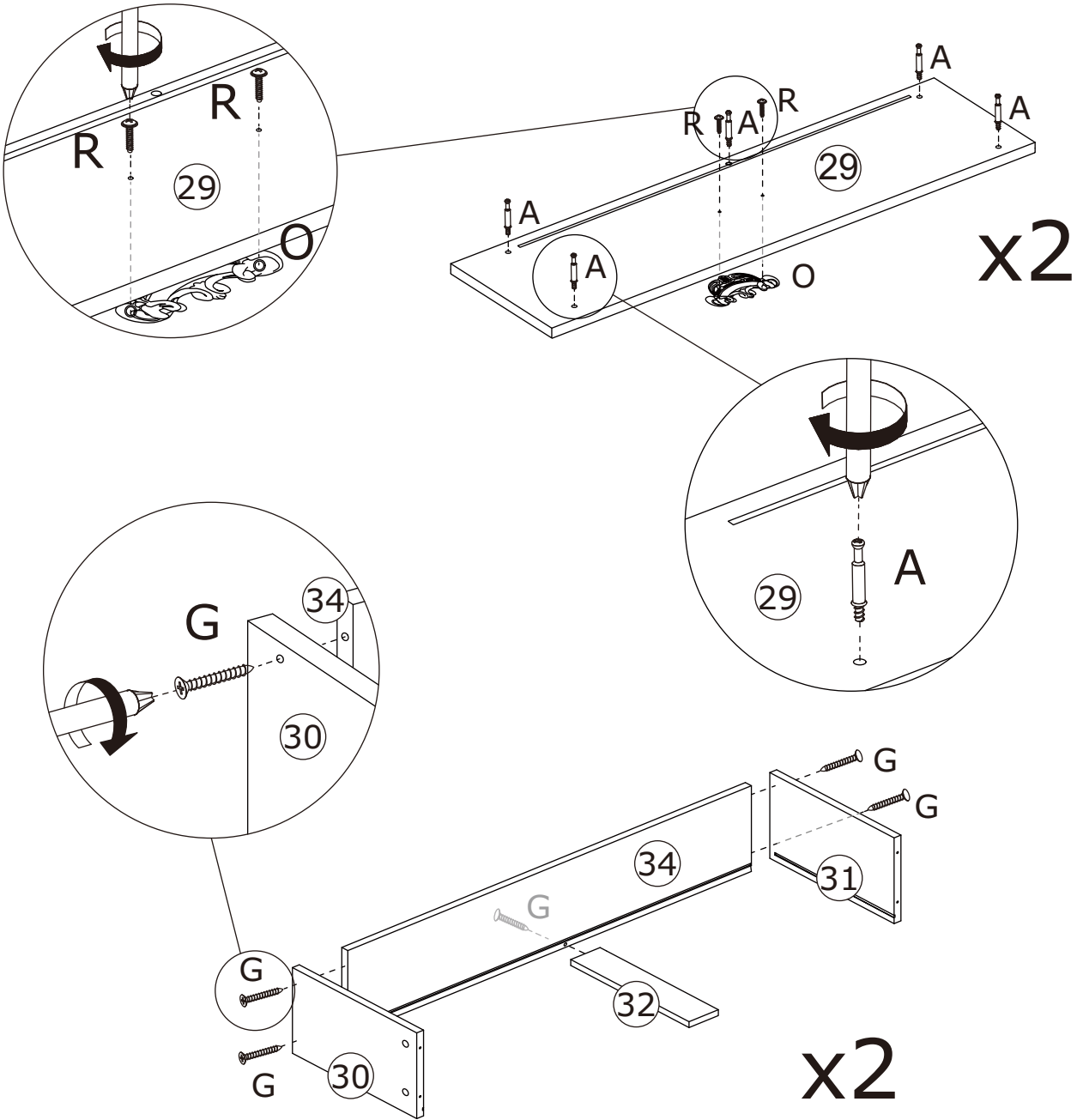


23



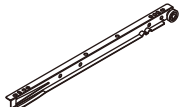

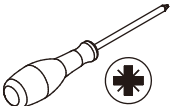
A x 10  Ø6 x 40 mm	G x 10  Ø3.5 x 25 mm	O x 2 	R x 4  Ø4 x 20 mm	
---	---	--	---	---



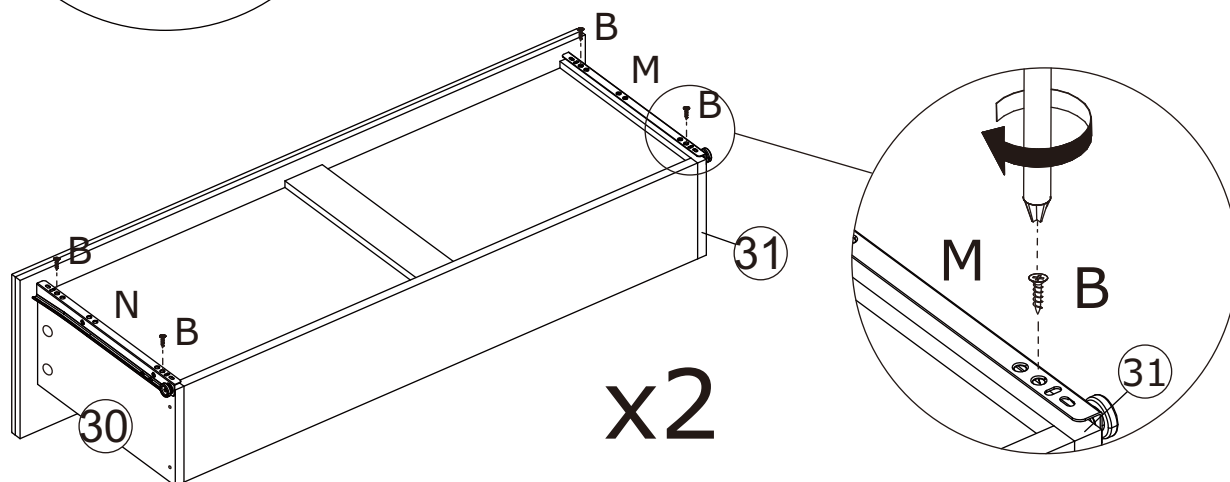
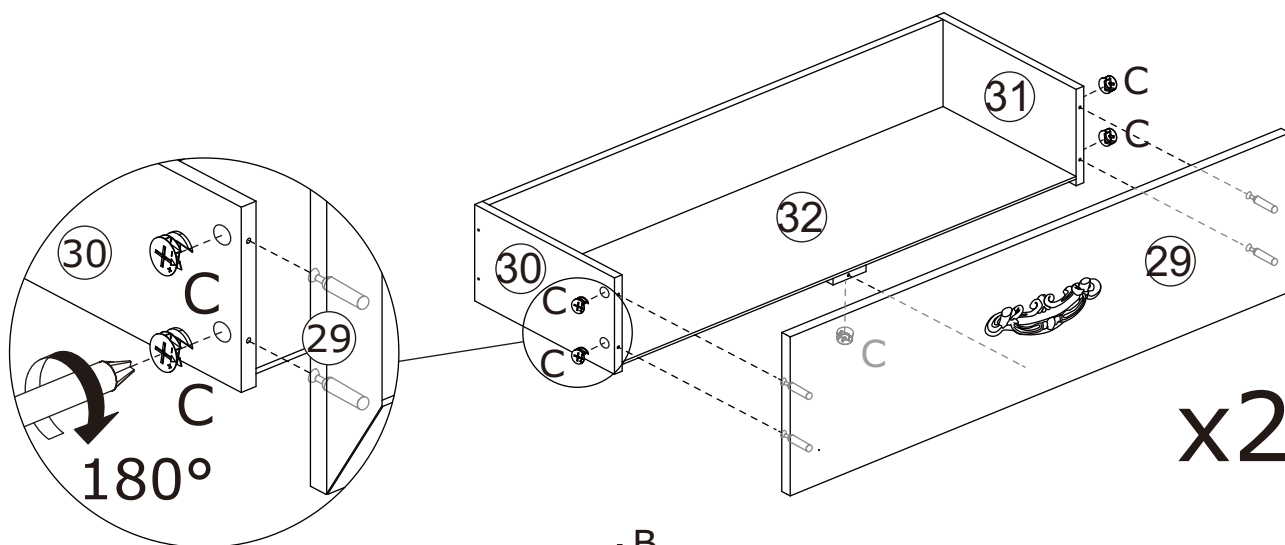
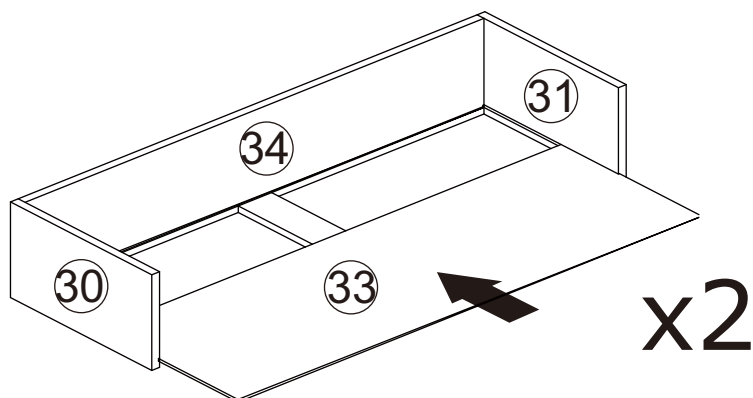
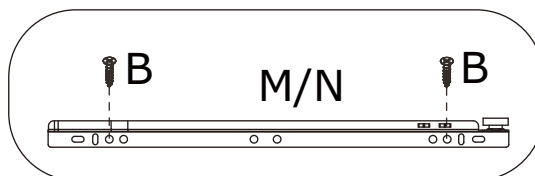
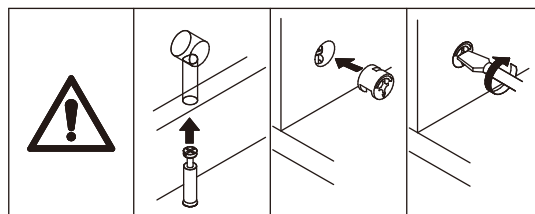
Screw eccentric rod(A) into panel 29, fix handle(O) with screw(R) at first.
Fix panel 30, 32 and 31 to panel 34 with screw(G).

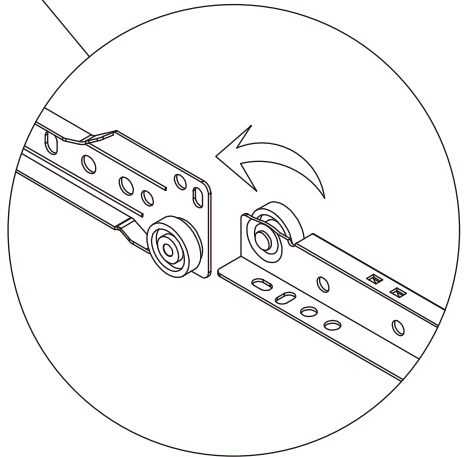
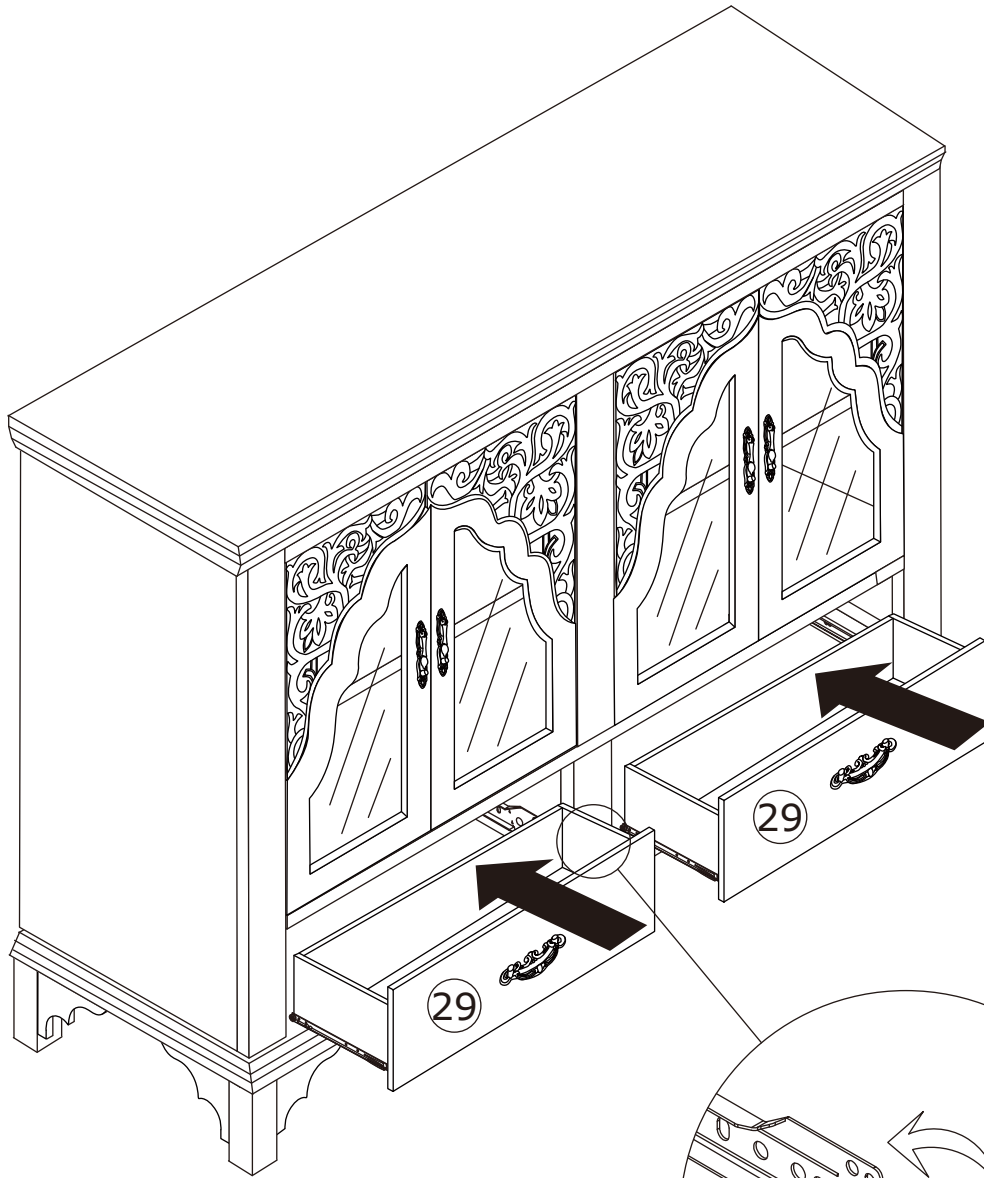


24

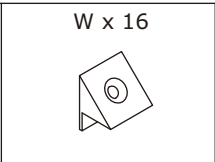
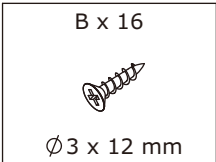
<p>B x 8</p>  <p>Ø3 x 12 mm</p>	<p>C x 10</p>  <p>Ø15 x 10 mm</p>	<p>M x 2</p> 	<p>N x 2</p> 	
--	--	--	---	---

Insert panel 33 along available grooves as shown.
 Attach panel 29 to panel 30, 32 and 31, add cam lock(C) into and turn clockwise to tighten as shown.
 Fix runner(M) and (N) to panel 30 and 31 with screw(B) as shown.

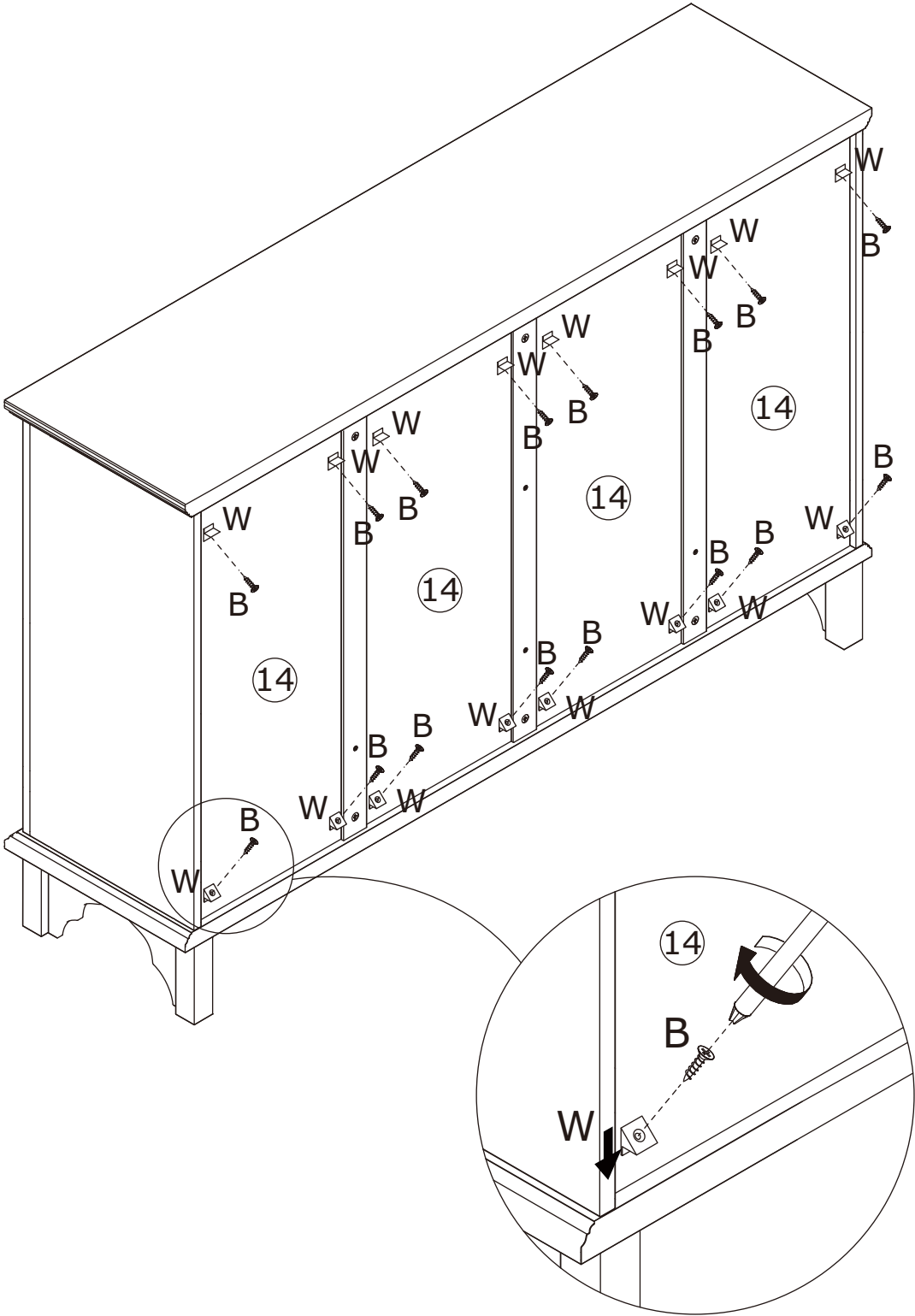




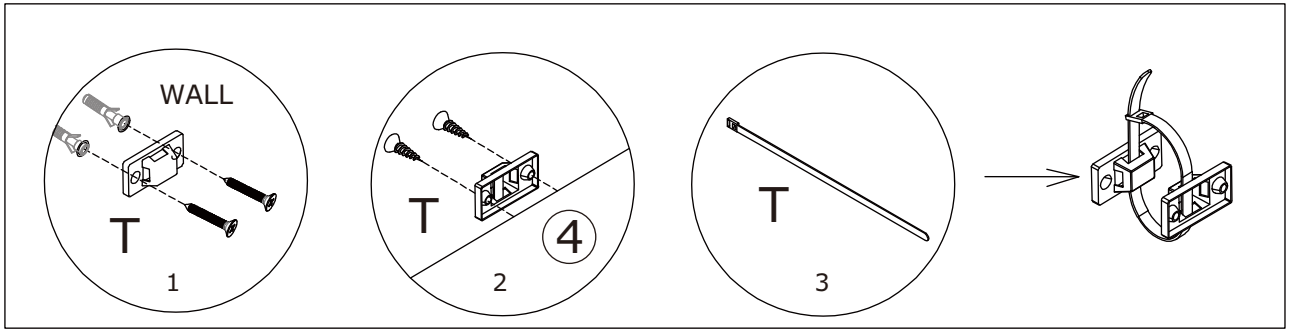
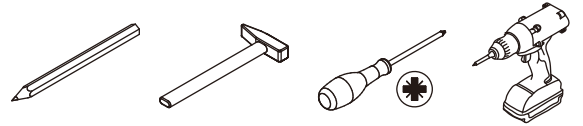
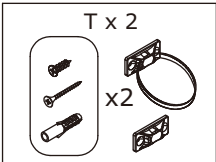
26



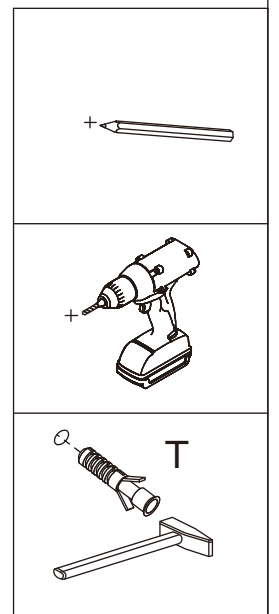
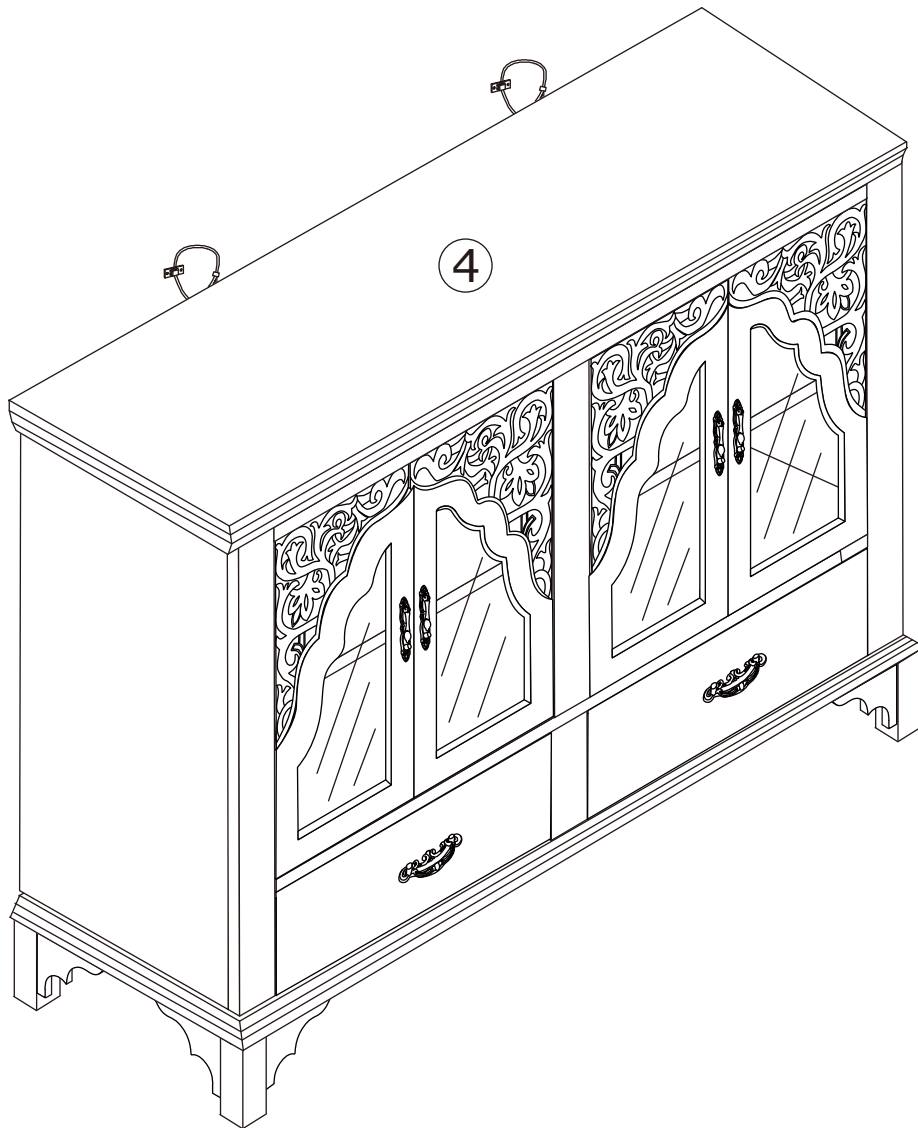
Insert buckle(W) into back slots and fix with screw(B) as shown.



27



Install anti-tipping device.



WARRANTY

WARRANTY CLAIMS

- There is a 30-day warranty for broken furniture or any other problems that do not work properly. The warranty will start from the date of purchase which must be verified by proof of purchase.
- Before making a claim, we may be able to answer your query, simply call us. Please leave your purchase order number, along with some details of the problem, if you want a replacement part. We will arrange within 48 hours. If there is out of stock, we will reply with a shipping date.
- The product must be used in accordance with the instructions provided. For health reasons.
- For other reasons, if the furniture needs to be returned, it must be cleaned and dried and operated within 30 days of receipt.

Type of Warranty Claim

- Failure to follow the furniture instructions will invalidate the warranty. Attention please.
- Does not include damage during installation, but includes damage during transportation.

Scope of responsibility

- Shall not bear any responsibility for misuse or user damage and / or loss of parts during the installation of furniture.
- After using, the damage and scratches of the furniture are not covered by the warranty.

The Warranty Relates to All Bought in The Us and Covers The Following Areas

- Sheet parts: 1 month from the date of purchase.
- Electrical parts: 1 month from the date of purchase.

RETURNS

CHANGED YOUR MIND AND NEED TO RETURN YOU ITEM?

PLEASE FOLLOW THE BELOW INSTRUCTIONS:

- If you have purchased and have simply changed your mind, follow the retailer's instructions for returns.

DEFECTIVE ITEMS

- If your item is defective in any way, i.e. it doesn't work but you can't identify why, in the first instance, please call us.

DAMAGED ITEMS

- If you receive an order with obvious shipping damage from the retailer, then we suggest the delivery is refused. If the delivery has been accepted and then shipping damage is found, please follow the specific instructions advised by the retailer. In all circumstances please save all packaging material and paperwork for the order. Please be aware that if you dispose of packaging material or attempt to return the merchandise without contacting the fulfiller, you jeopardise your chances of making a claim, and you may not receive a credit for the return.