

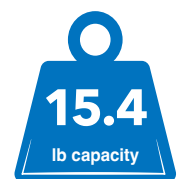
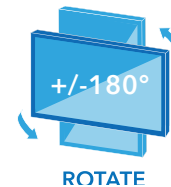
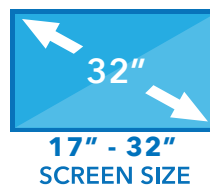
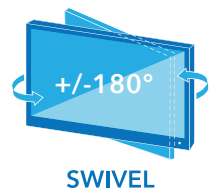
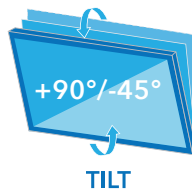
MOUNT-IT!

MI-1765

Counterbalance Monitor Arm for Wall and Pole Mounting

Experience the ultimate comfort and productivity with this sleek, spring-assisted monitor arm, designed to optimize your screen position, reducing strain and enhancing your efficiency throughout the day. With the flexibility to choose between mounting the arm to the wall or an existing pole, you can customize your workspace to fit your needs.

- Effortless height, extension and tilt adjustments thanks to built-in mechanical spring
- 180° swivel for convenient screen sharing
- 360° rotation for landscape or portrait screen orientation
- Can be mounted to a wall or an existing pole



Features Video



Installation Video

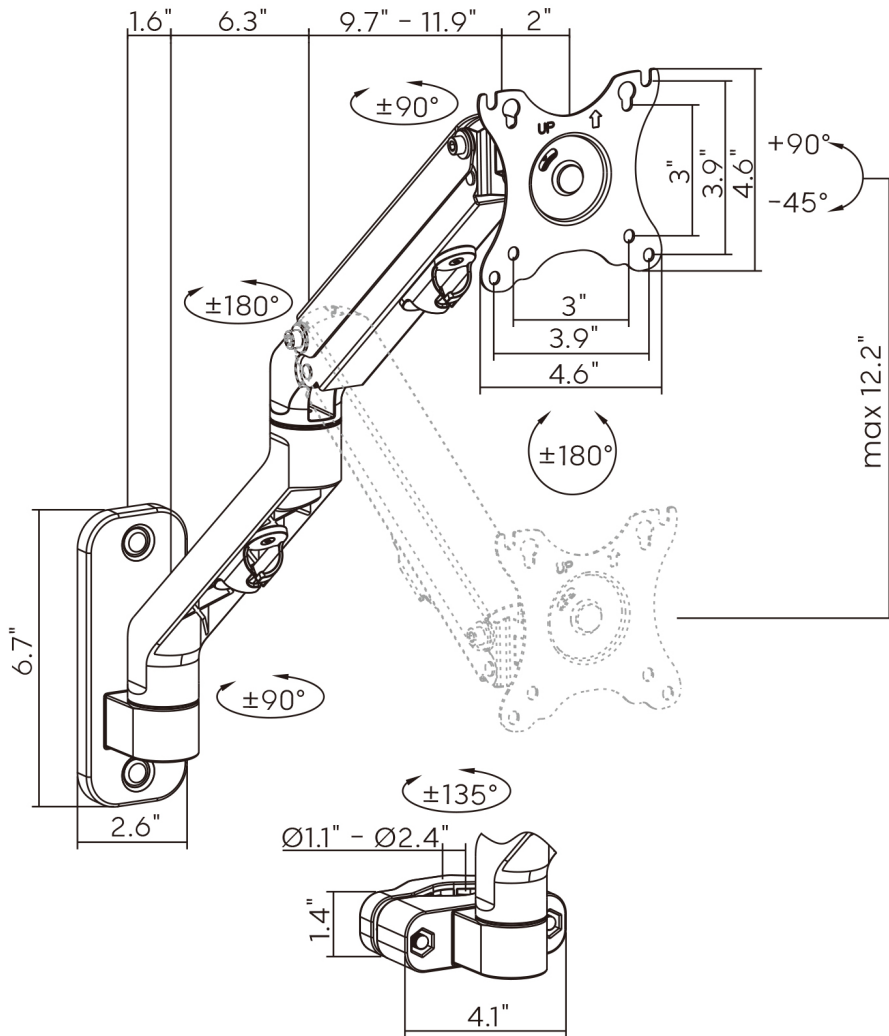


User Manual

MI-1765

Counterbalance Monitor Arm for Wall and Pole Mounting

MOUNT-IT!



Quick installation base



Multiple pivot points



Combine to create a custom set-up

SPECIFICATIONS

Screen Sizes	17" - 32" (incl. curved)
VESA Compatibility	75 x 75, 100 x 100
Weight Capacity	15.4 lbs
Swivel Range	Up to +/-180°
Tilt Range	+90°/-45°
Screen Rotation	+/-180°
Extension	3.5" - 21.8"
Installation	Wall or pole mounting (pole not included)
Cable Management	Yes