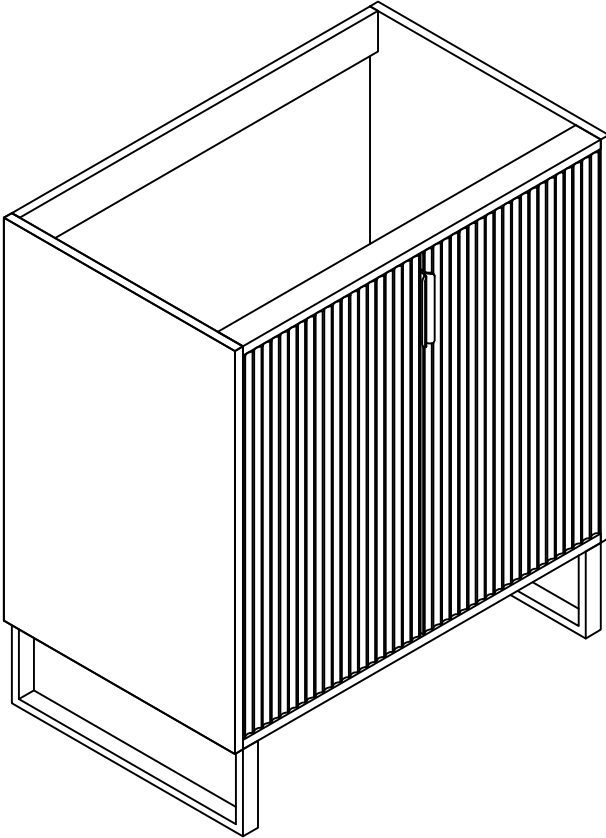




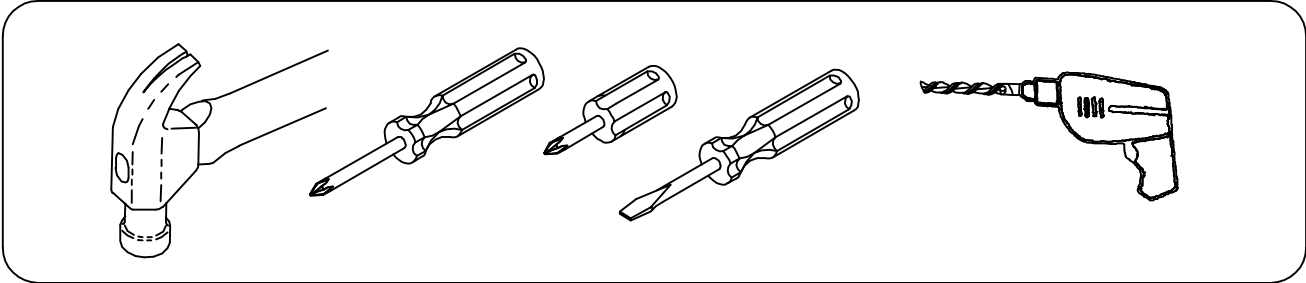
US 119



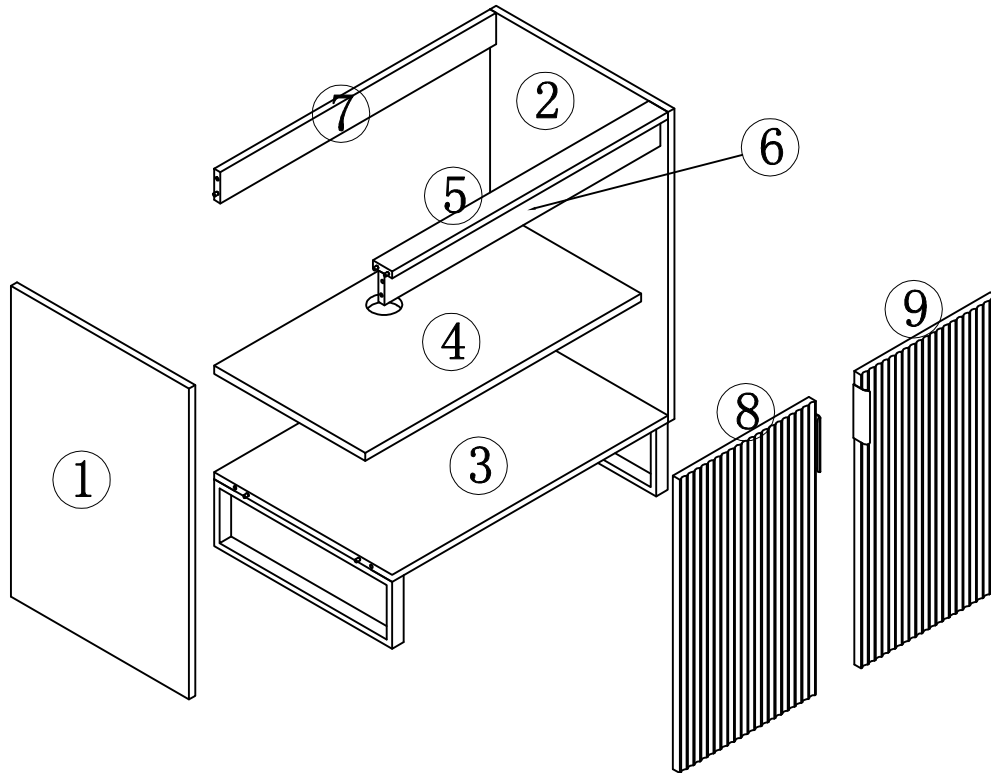
DIMENSIONS


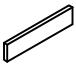
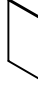
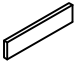


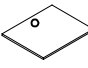

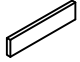









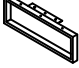





YOU MAY NEED (NOT SUPPLY)





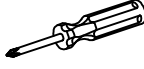
ASSEMBLY DIAGRAM



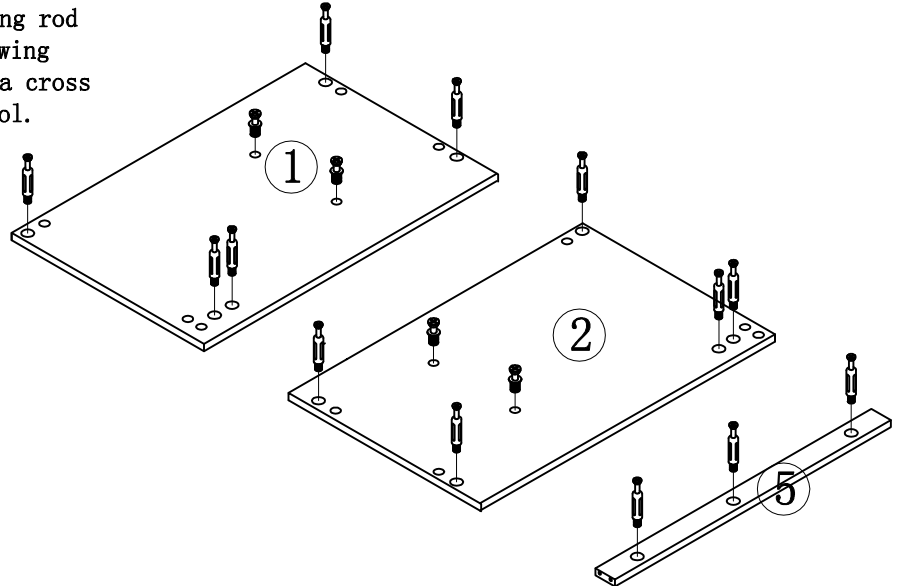
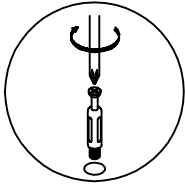
PARTS LIST					
PARTS LIST					
NO	DESCRIPTION	QTY	NO	DESCRIPTION	QTY
①	Left side panel 	1	⑥	Front drawbar 	1
②	Right side panel 	1	⑦	Rear baffle 	1
③	Bottom panel 	1	⑧	Left door panel 	1
④	Clapboard 	1	⑨	Right door panel 	1
⑤	Front drawbar 	1			

PARTS LIST					
HARDWARE LIST					
NO	DESCRIPTION	QTY	NO	DESCRIPTION	QTY
A	Three-in-one eccentric wheel 	13	H	4*12mm screw 	4
B	Three-in-one connecting rod 	13	I	4*30mm screw 	6
C	Three-in-one sticker 	13	J	Door handle 	2
D	8*40mm wood dowel pins 	10	K	Metal feet 	2
E	Two-in-one lock handle 	4	L	Pipe Plug 	1
F	Two-in-one screws 	4	M	Door hinges 	4
G	4*16mm screw 	30			
CAUTION: Please confirm the parts list before installation					

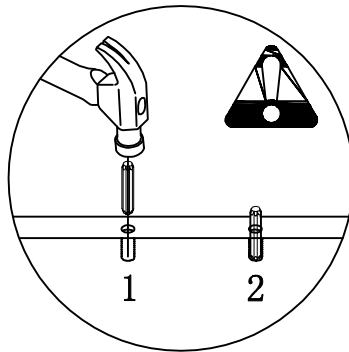
STEP 1

HARDWARE LIST		
Three-in-one connecting rod B  13PCS	Two-in-one screws F  4PCS	

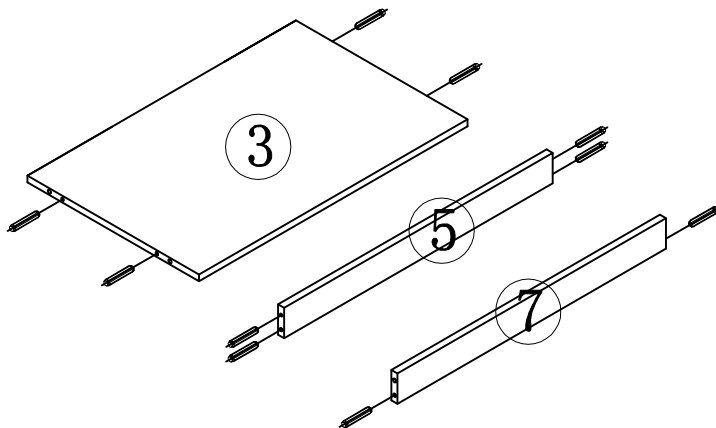
1. Put the three-in-one connecting rod in the 10mm hole of the following panels and tighten them with a cross screwdriver or an electric tool.


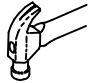


STEP 2

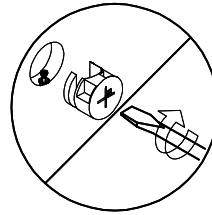
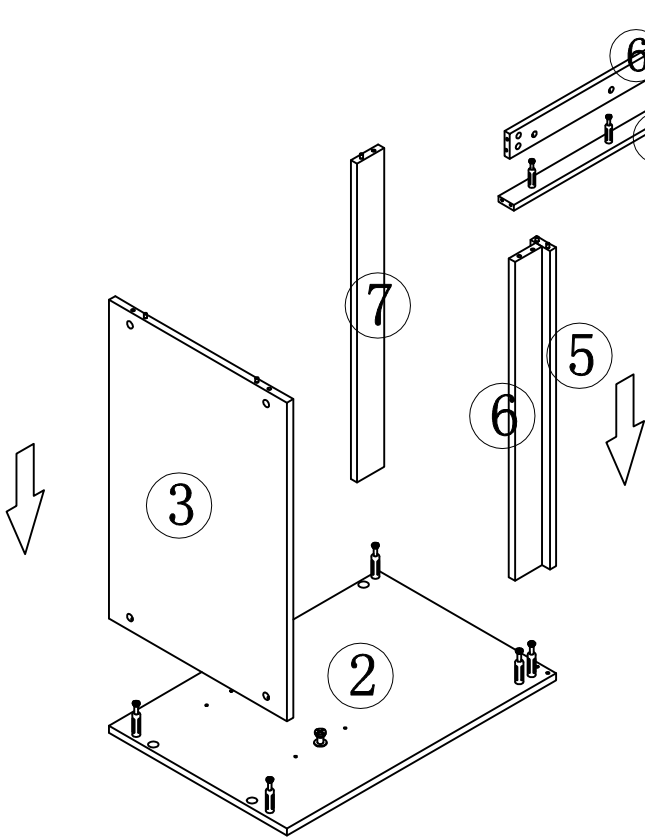


1. Strike the 08*40mm wood dowel pin into the 8m hole of the above panels with an iron hammer. Please note that the hole of the three-in-one connecting rod should also be 8mm. The hole of the three-in-one connecting rod connects to the hole of 15mm three-in-one eccentric wheel.

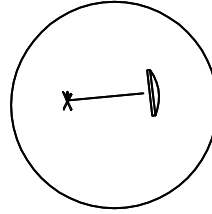


HARDWARE LIST	
8*40mm wood dowel pins D  10PCS	




STEP 3



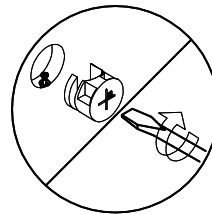
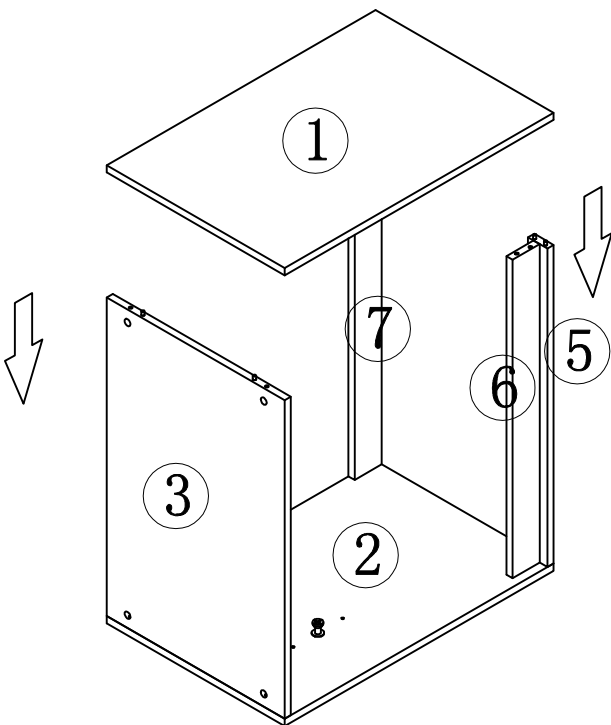
1. Connect No. 3-5-6-7 panel to No. 2 panel tightly with the three-in-one eccentric wheel.



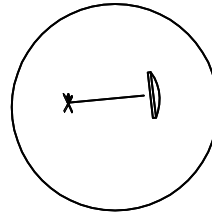
2. Cover the mounting hole of the eccentric wheel with a three-in-one sticker.

HARDWARE LIST		
Three-in-one eccentric wheel A  8PCS	Three-in-one sticker C  8PCS	




STEP 4



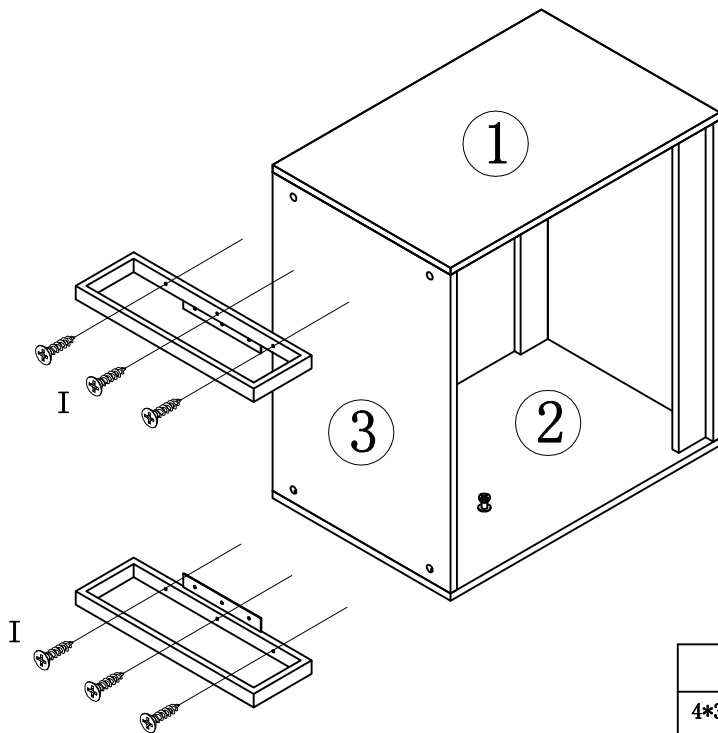
1. Connect No. 1 panel to No. 3-5-6-7 panel tightly with the three-in-one eccentric wheel.




2. Cover the mounting hole of the eccentric wheel with a three-in-one sticker.

HARDWARE LIST		
Three-in-one eccentric wheel A  5PCS	Three-in-one sticker C  5PCS	

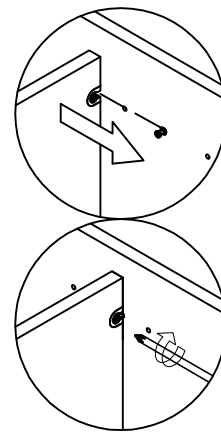
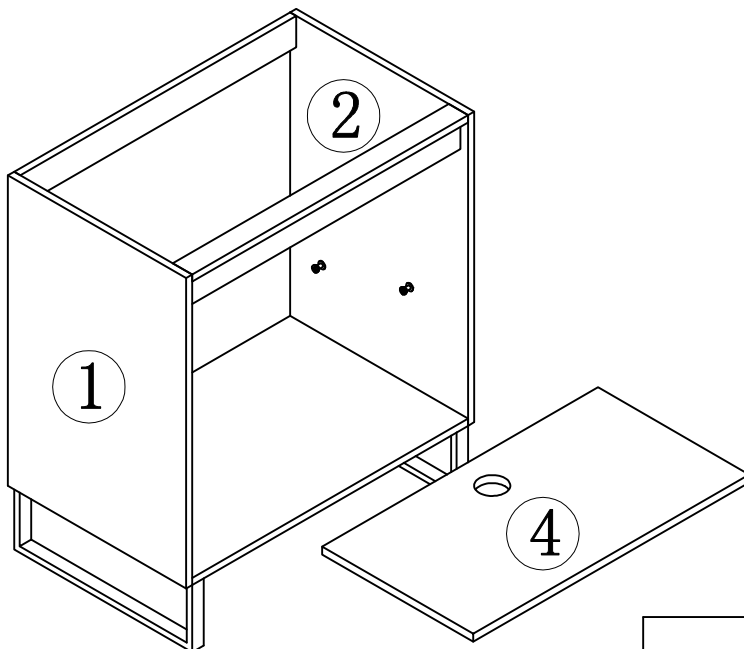
STEP 5






Use 4*30 screws to fix the Metal feet

HARDWARE LIST		
4*30mm screw	Metal feet	
I  6PCS	K  2PCS	

STEP 6

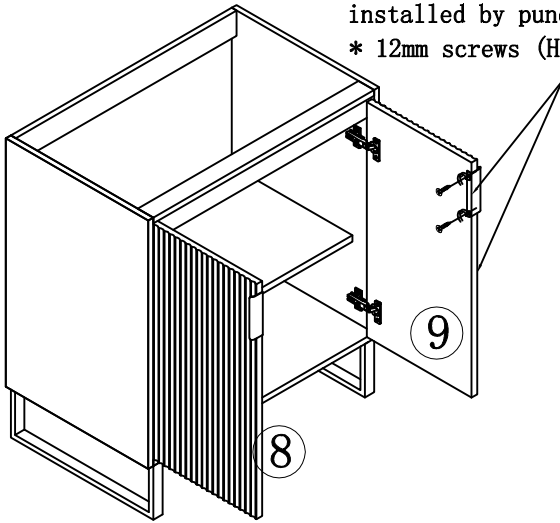


Fix the two-in-one lock handle on No.4 plate and put it in the cabinet. Put the pipe plug on No. 4 plate

HARDWARE LIST		
Two-in-one lock handle	Pipe Plug	
E  4PCS	L  1PCS	

STEP 7

Attention: The handle (J) can be installed at any position on the cabinet door according to the customer's preference, and can be installed by punching holes with 4 * 12mm screws (H)

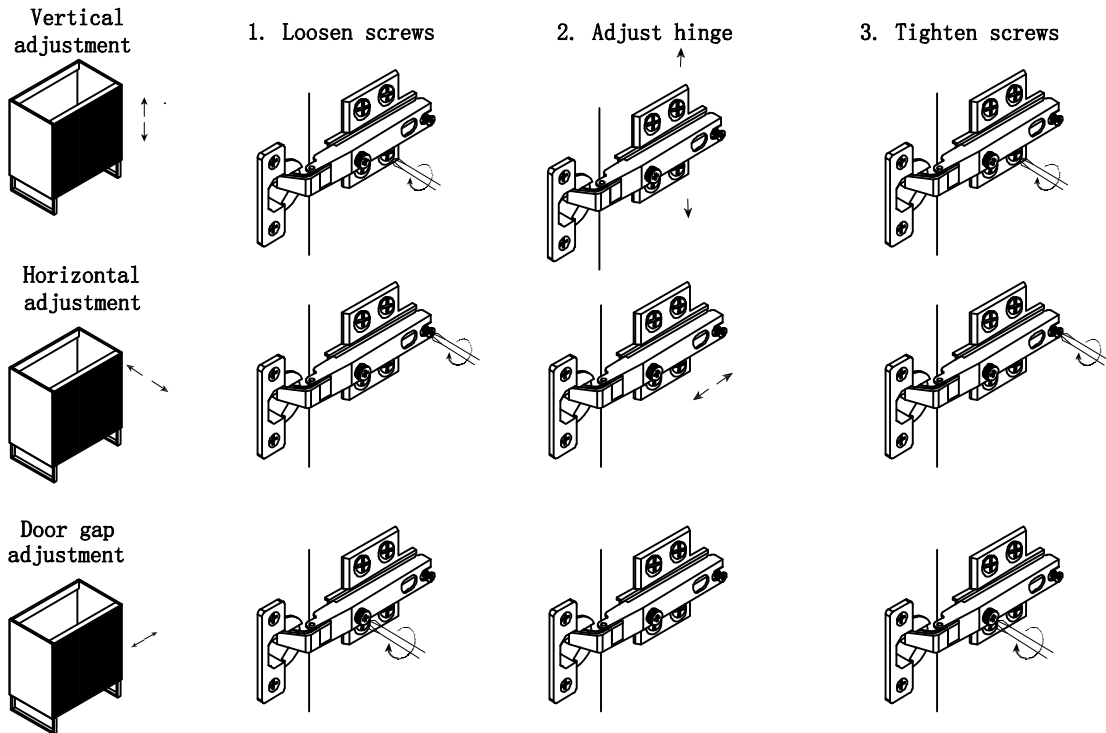


1. Install the hinge cup to the door panel with 4*16mm screws.
2. Install the hinge to the side panel with 4*16mm screws.
3. Install the hinge cup on the door panel to the hinge of the side panel.
4. Adjust the door panel clearance.

HARDWARE LIST				
4*16mm screw	Door hinge	Door handle	4*12mm screw	
G  24PCS	M  4PCS	J  2PCS	H  4PCS	

Hinge/Door Adjustment and Realignment

If adjustment or realignment is needed, follow the instructions provided in the following chart.





Choking hazard-Small Parts : This unit contains small parts, not for children under 3 years.

Tip-over hazard : Secure finished unit to wall stud using L-Bracket and wall screw (#10*1.5"W/out provided). If a wall stud is not neccessible , Consault your local hardware store for appropriate mounting hardware . Failure to properly install will result in product collapse or tip-over. Serious injury can occur .