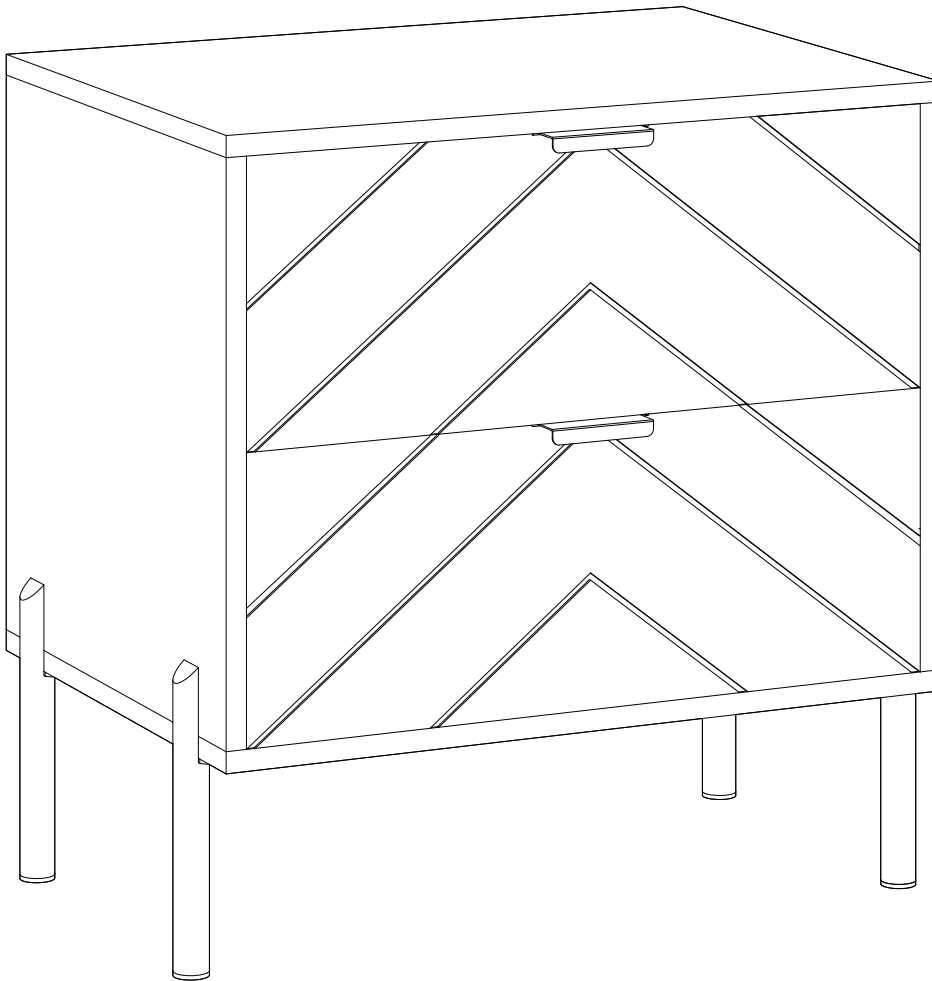


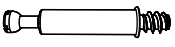
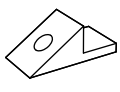




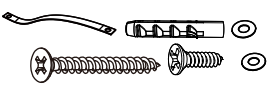
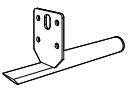
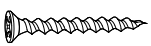
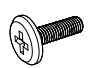
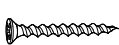

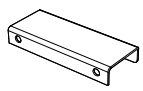
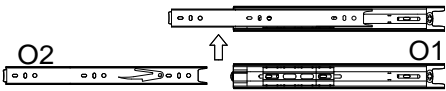
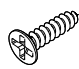
Nightstand

ASSEMBLY INSTRUCTION

1. Before installation, please read the Assembly Instruction carefully.
2. Please check whether the Parts and Hardware are consistent with the list.
3. It is normal for the sealed environment to smell, not a product quality

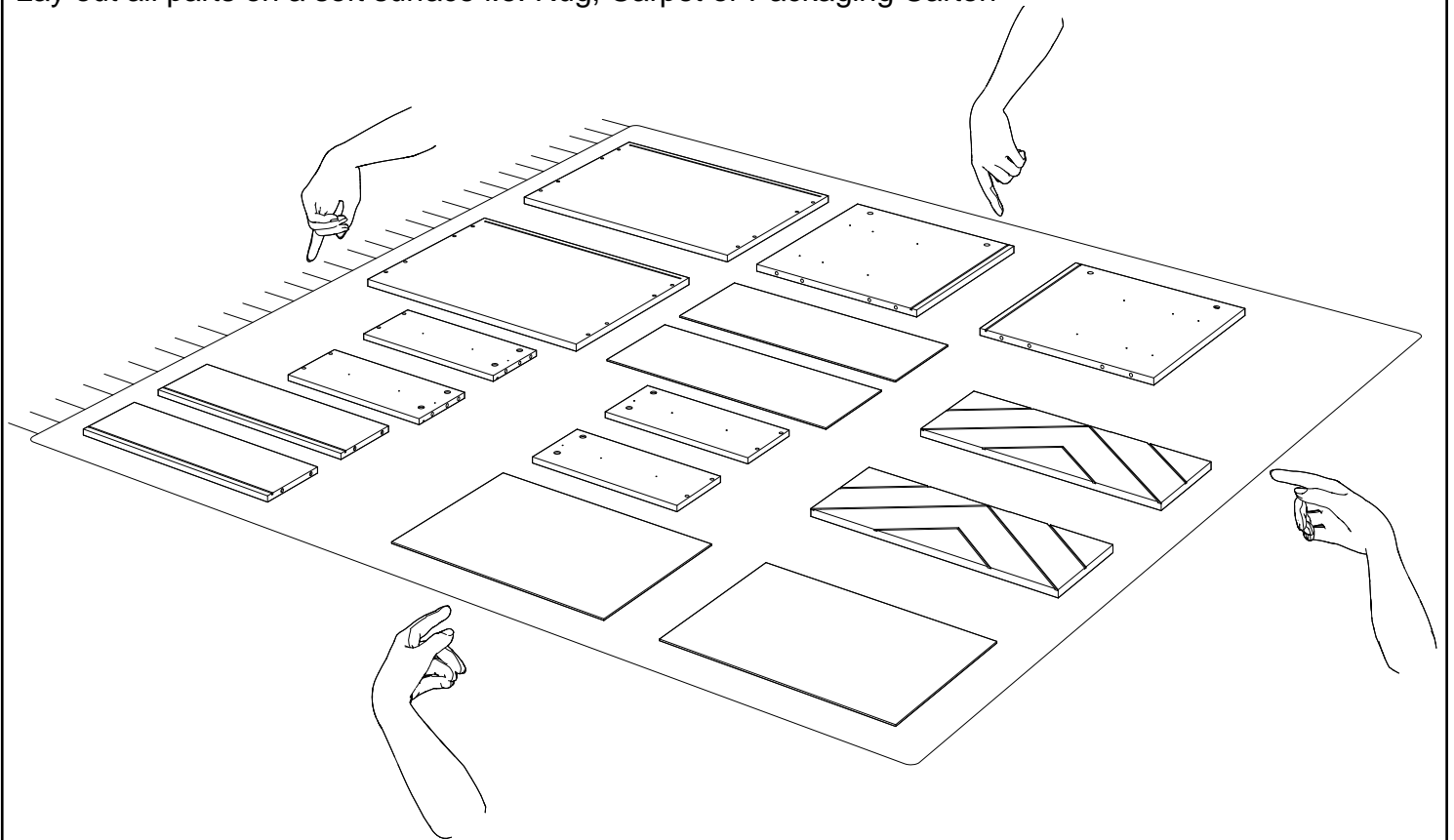


HARDWARE LIST


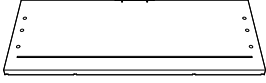
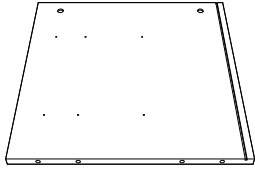

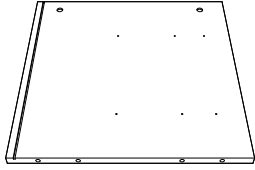
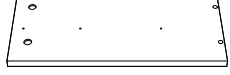


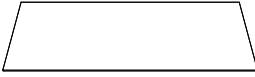

NO.	DESCRIPTION	QTY	NO.	DESCRIPTION	QTY
A	 Φ 6*35	12	I		4
B	 Φ 15*10	12	J	 Φ 3*16	4
C	 Φ 6*30	12	K		1
D		1	L		4
E	 Φ 4*40	4	M	 Φ 6*14	16
F	 Φ 4*35	8	N	 Φ 3*12	24
G		2	O		4
H	 Φ 4*12	4			

Layout Parts on Soft Surface

Lay out all parts on a soft surface i.e. Rug, Carpet or Packaging Carton

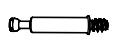


PART LIST

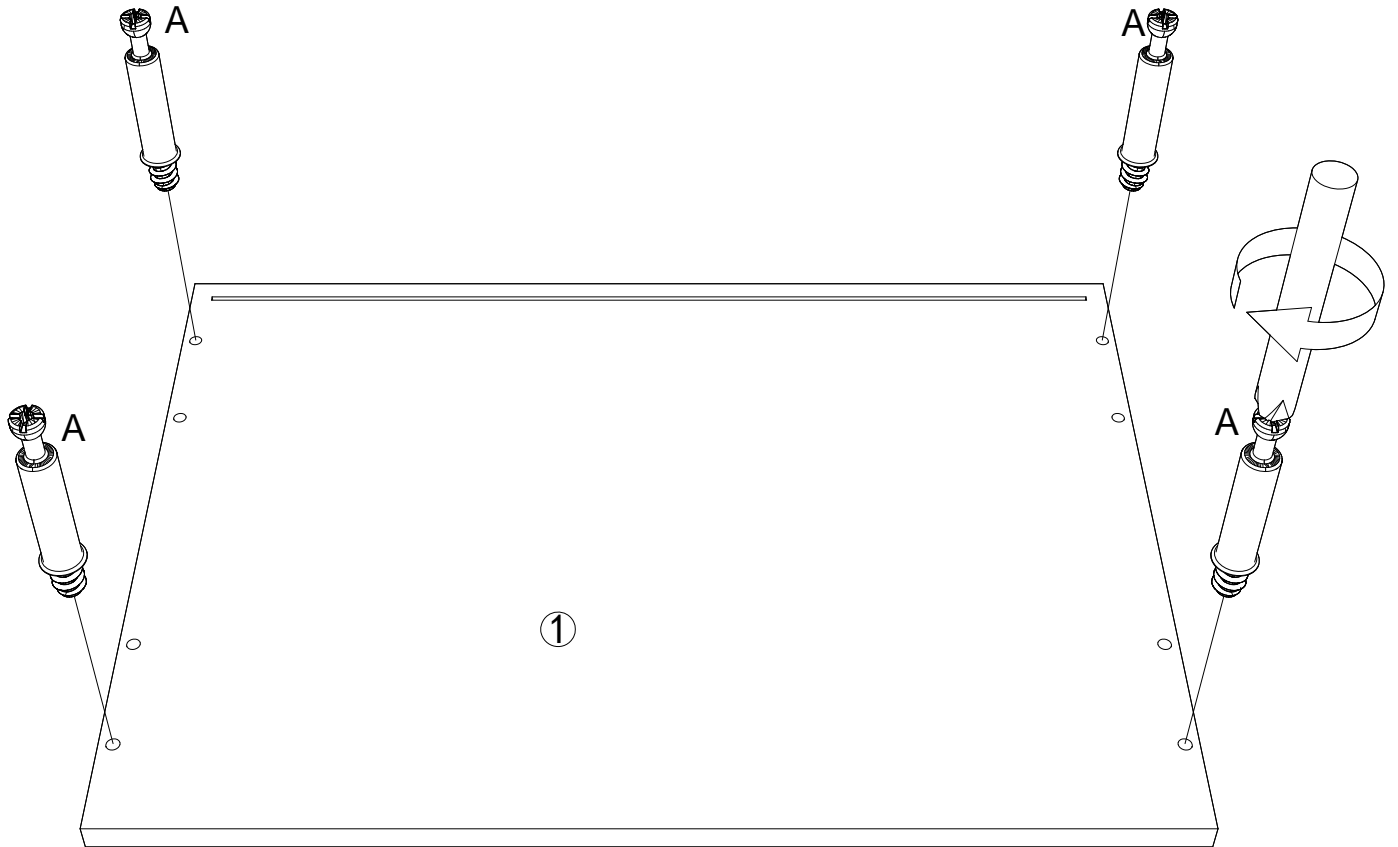
LTEM.	DESCRIPTION	PART	QTY	LTEM.	DESCRIPTION	PART	QTY
1	TOP PANEL		1	6	DRAWER FRONT PANEL		2
2	LEFT SIDE PANEL		1	7	DRAWER LEFT SIDE PANEL		2
3	RIGHT SIDE PANEL		1	8	DRAWER RIGHT SIDE PANEL		2
4	BOTTOM PANEL		1	9	DRAWER BACK PANEL		2
5	BACK PANEL		2	10	DRAWER BOTTOM PANEL		2

INSTALLATIONS

STEP 1



AX4



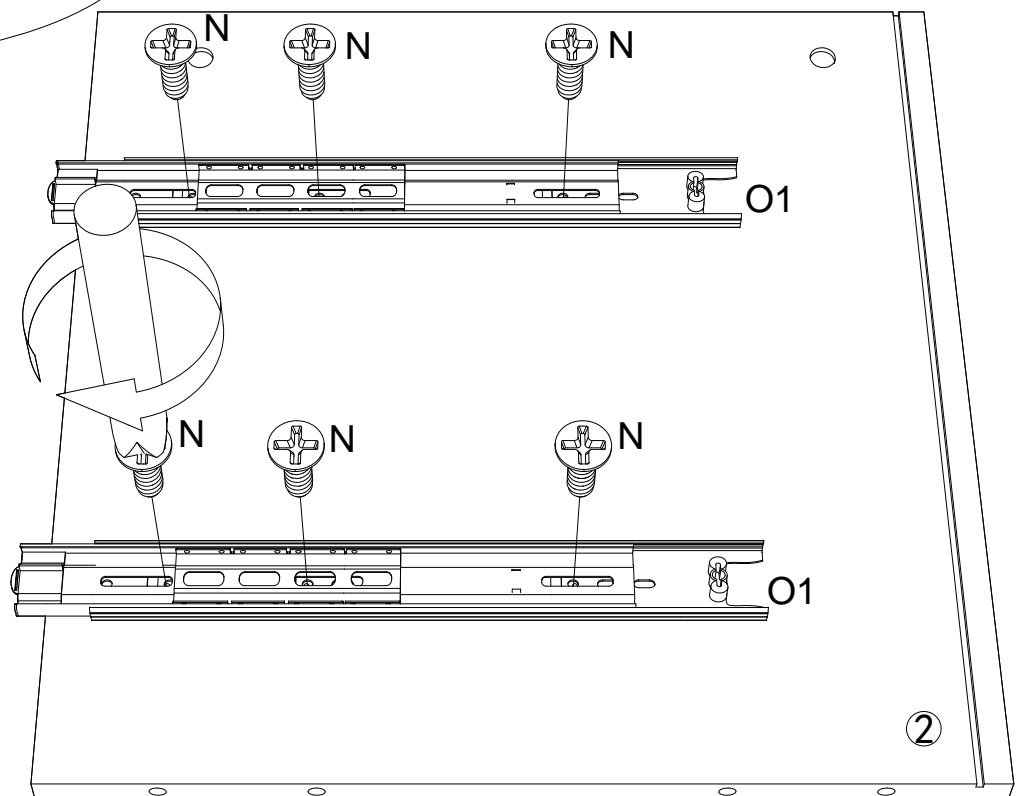
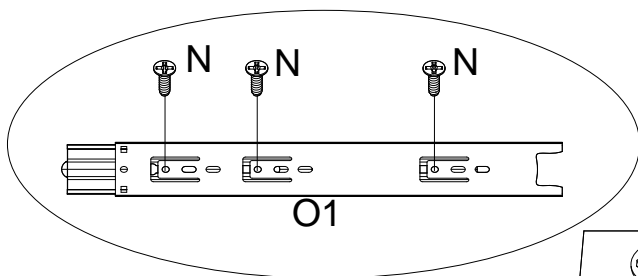
STEP 2



OX2



NX6



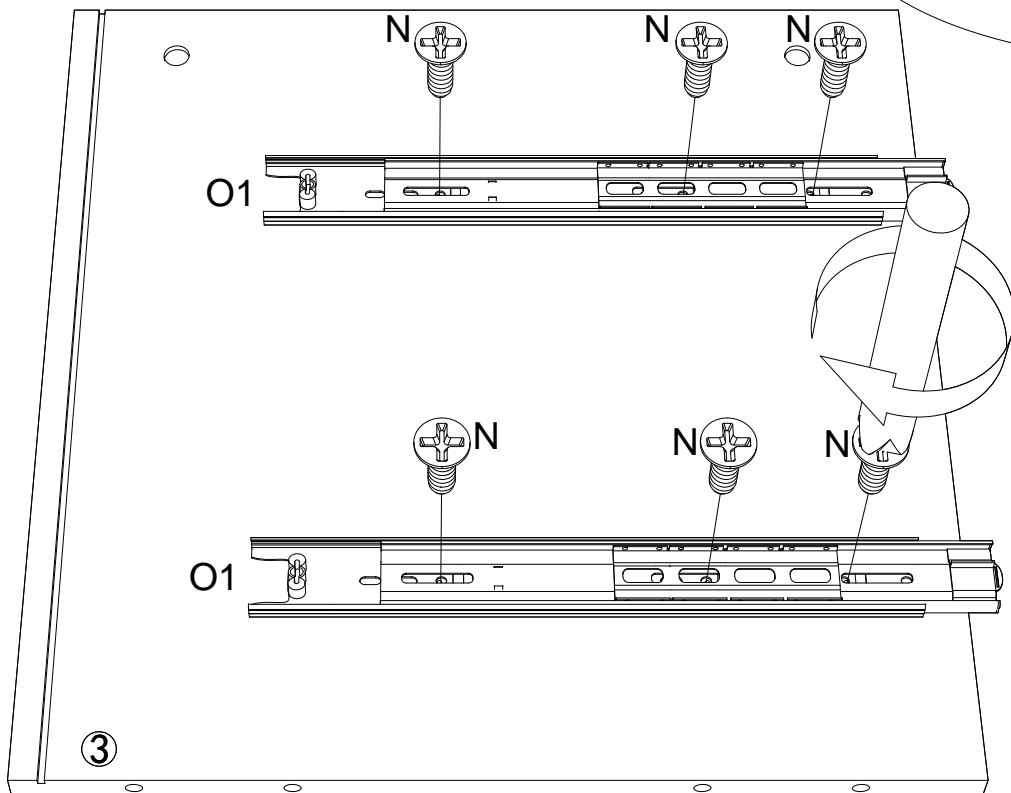
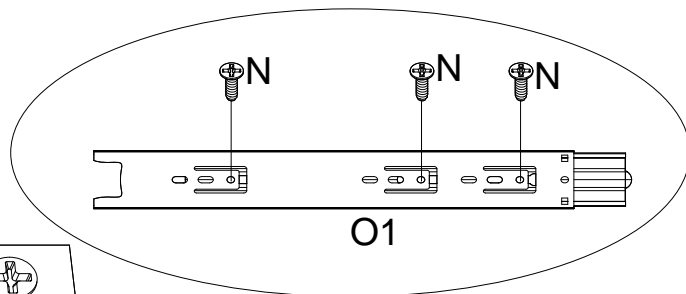
STEP 3



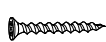
NX6



OX2



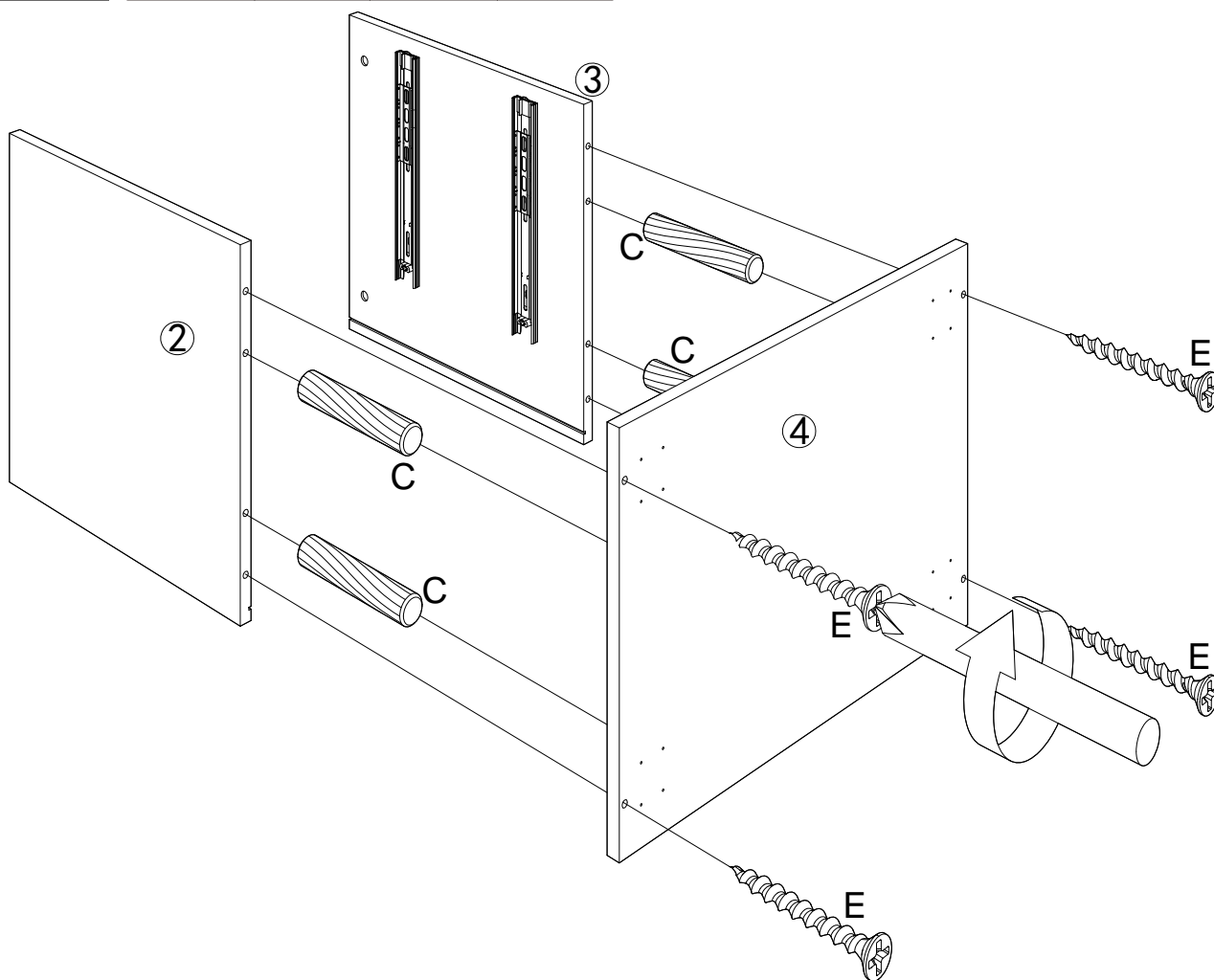
STEP 4



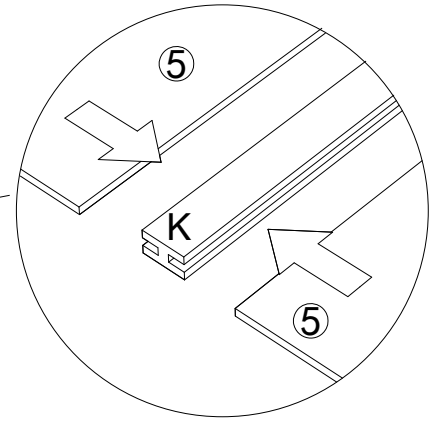
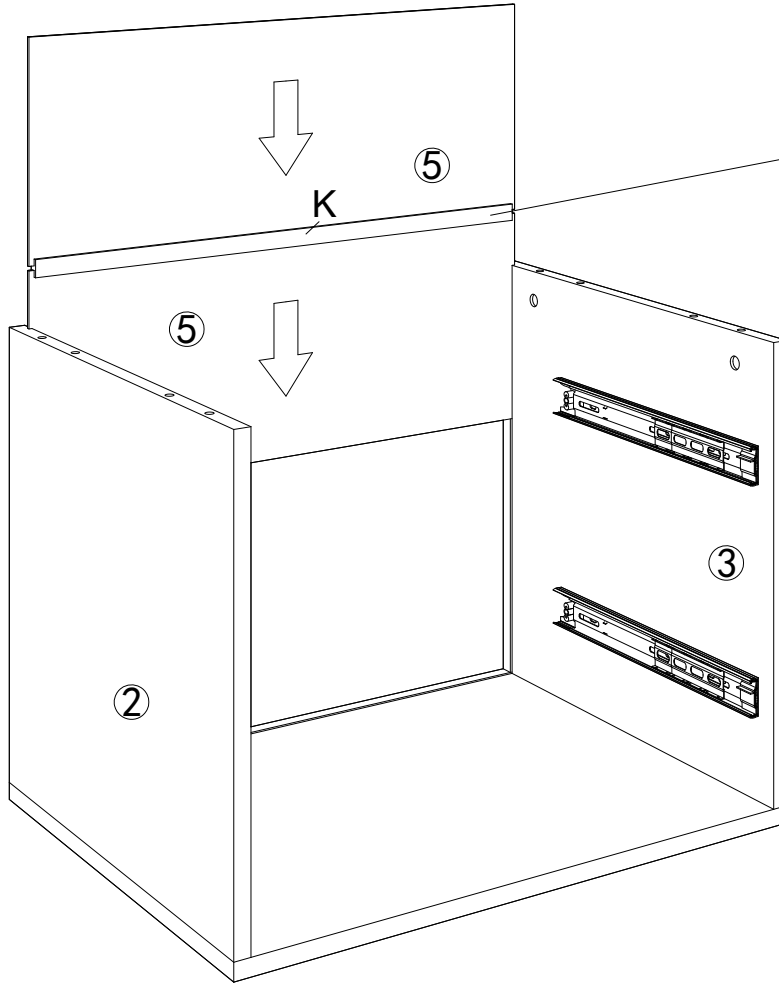
EX4



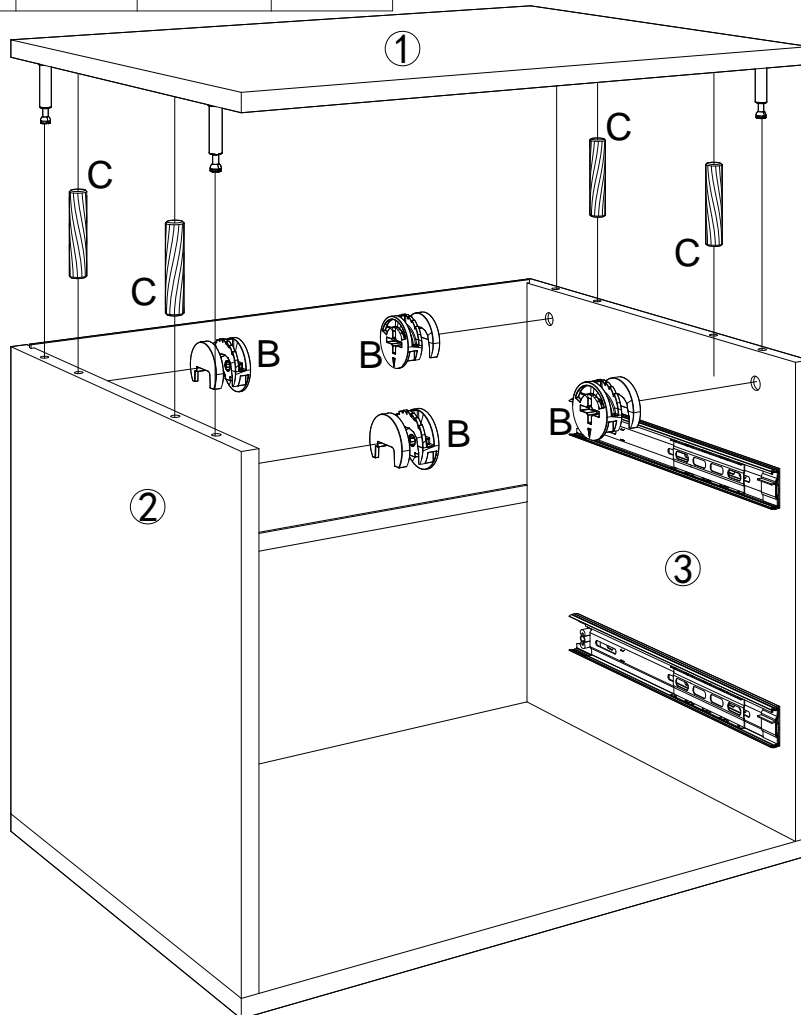
CX4



STEP 5



STEP 6



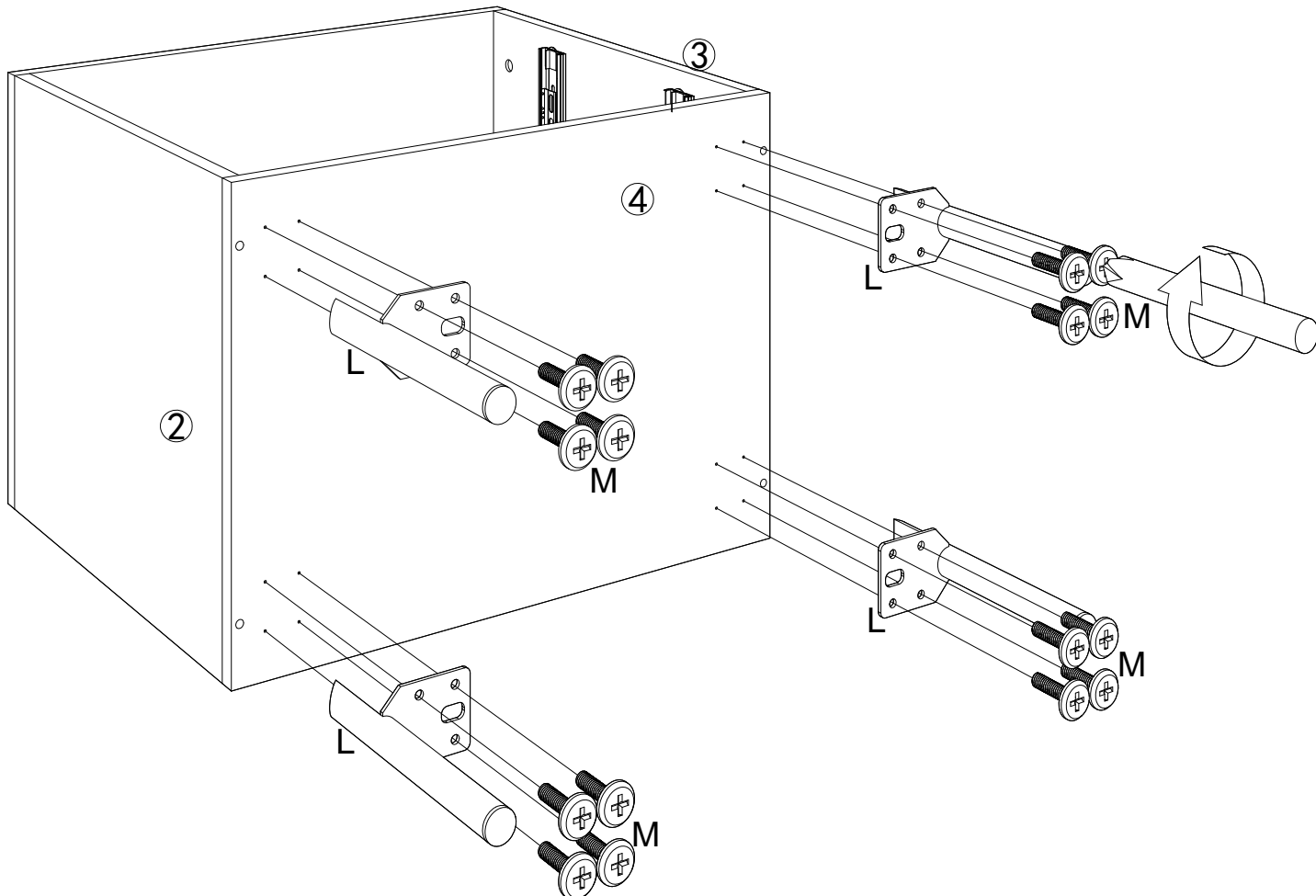
STEP 7



MX16



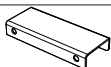
LX4



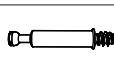
STEP 8



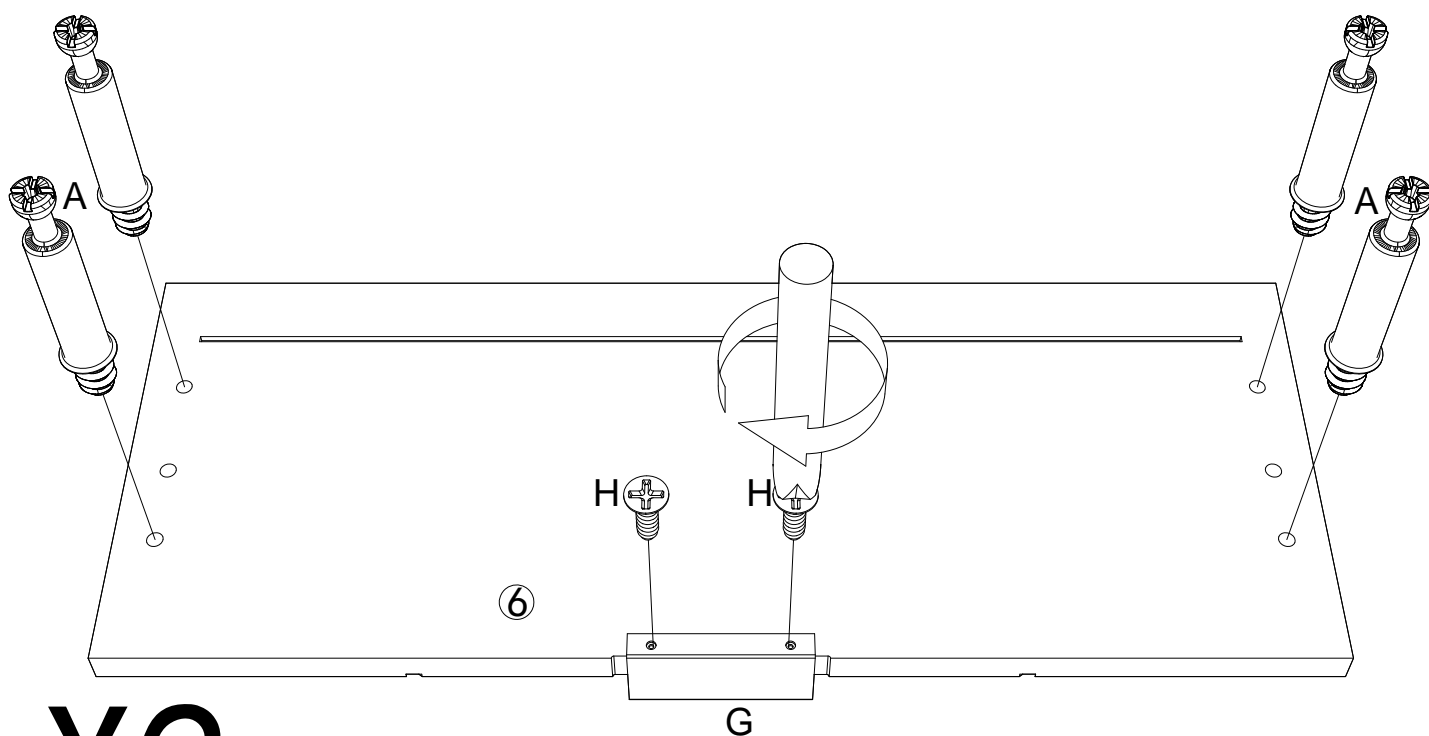
HX4



GX2

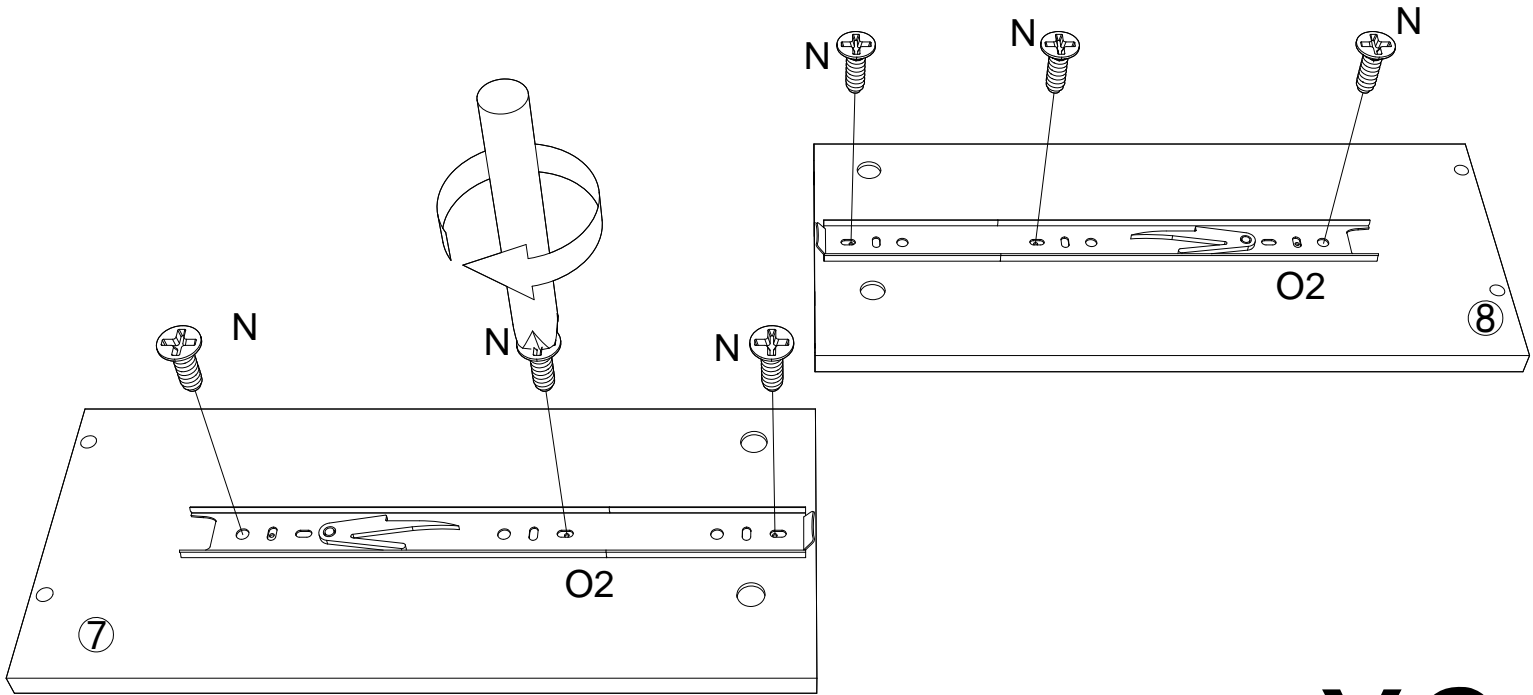


AX8



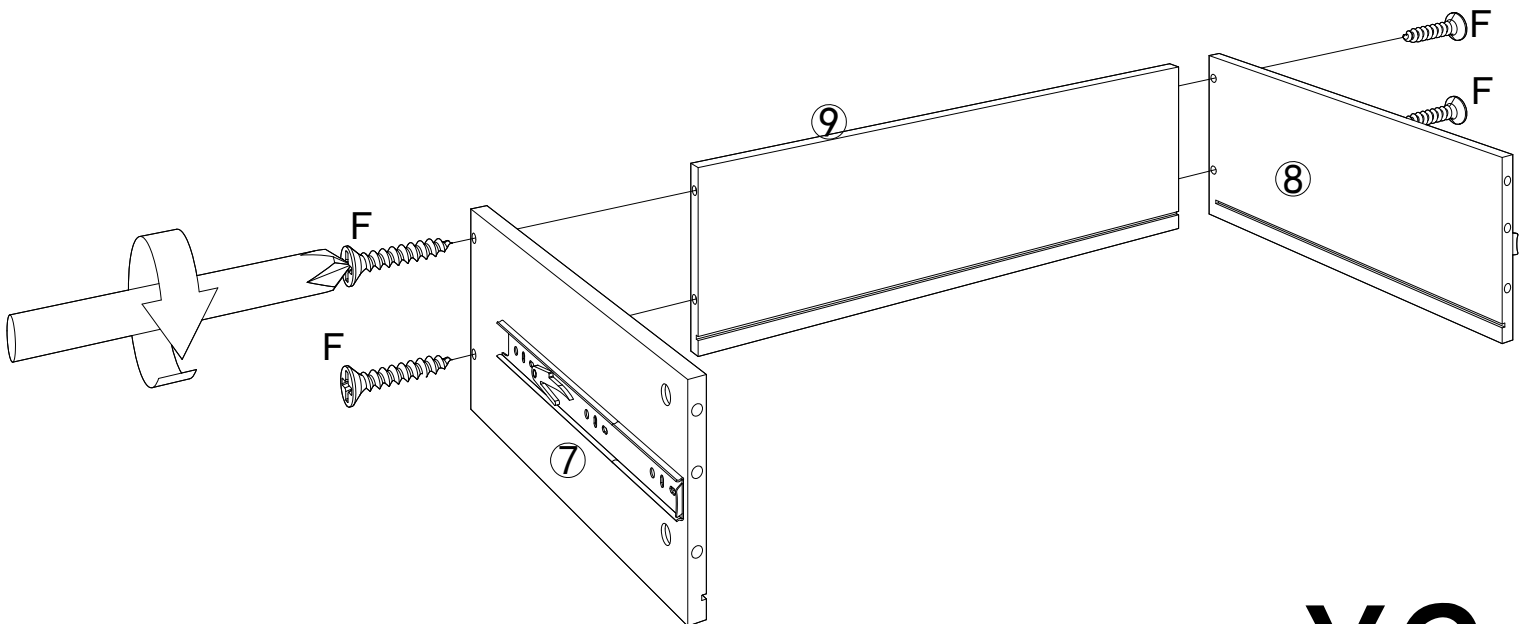
X2

STEP 9



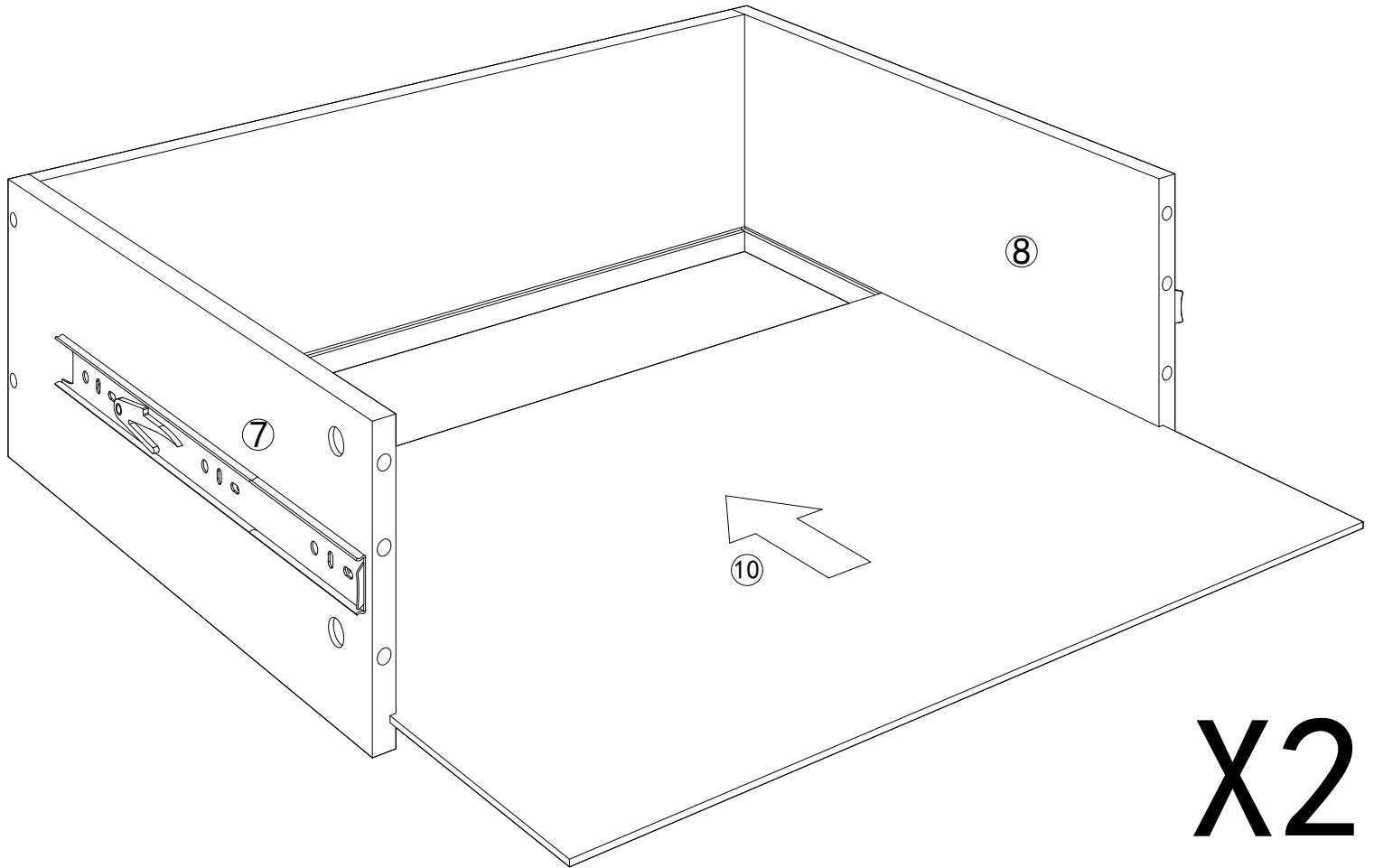
X2

STEP 10



X2

STEP 11



X2

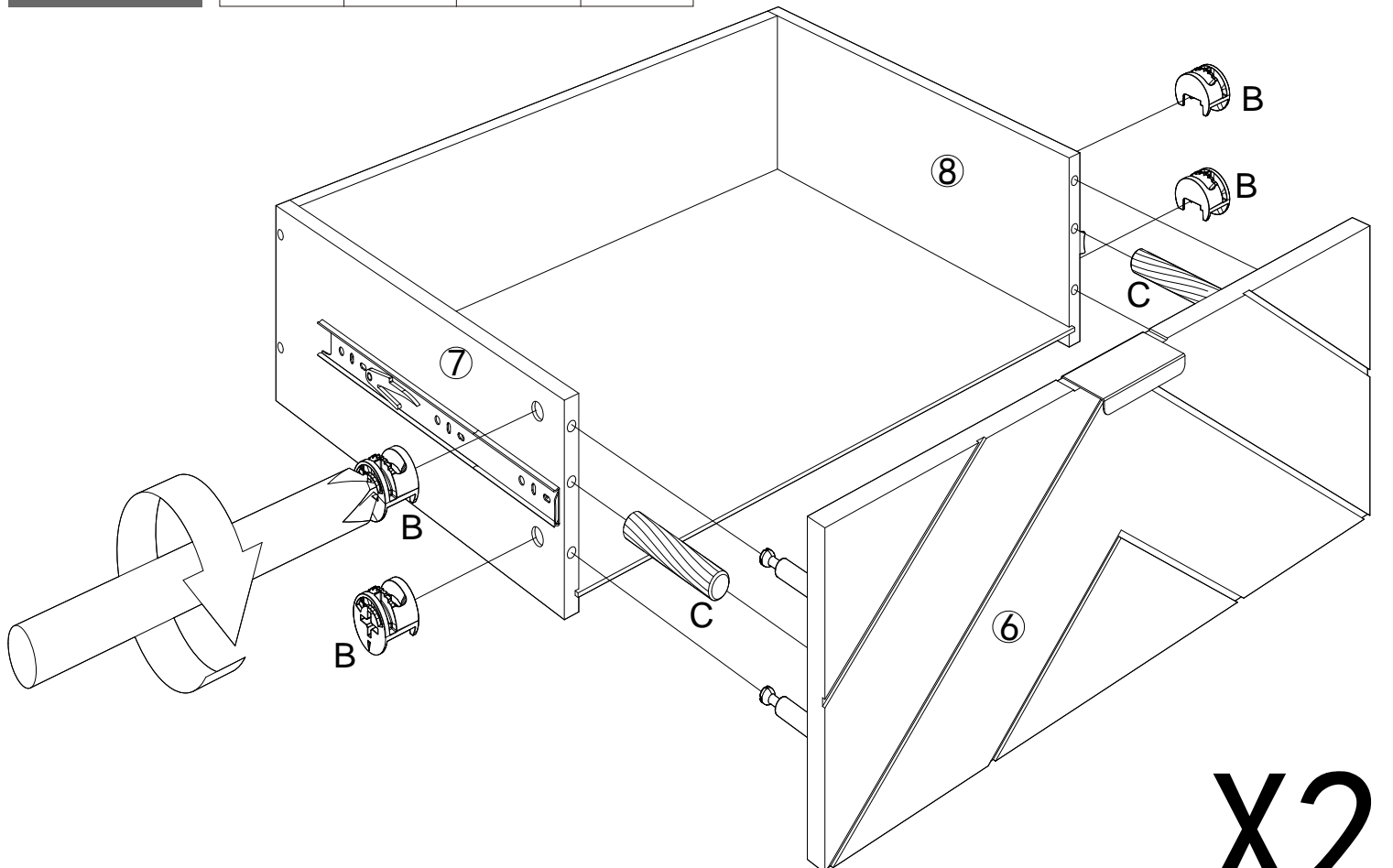
STEP 12



BX8

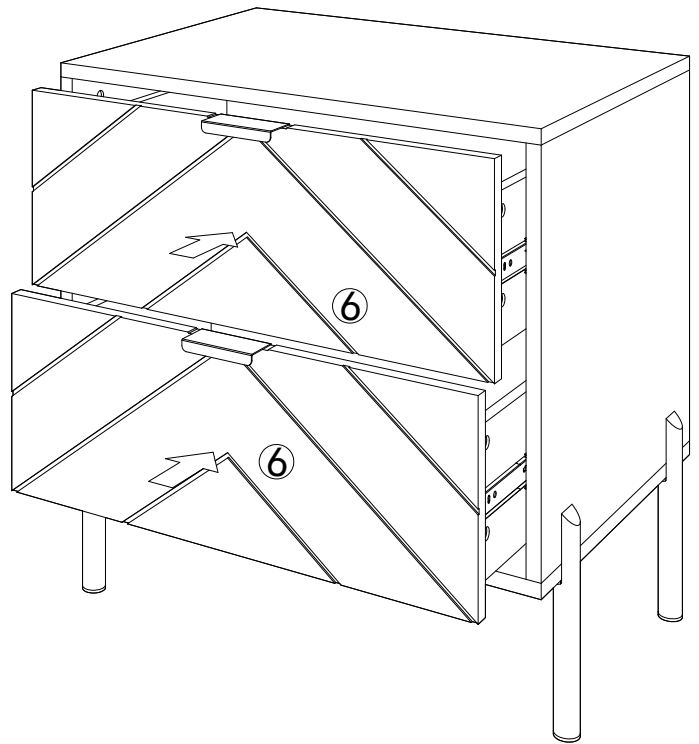
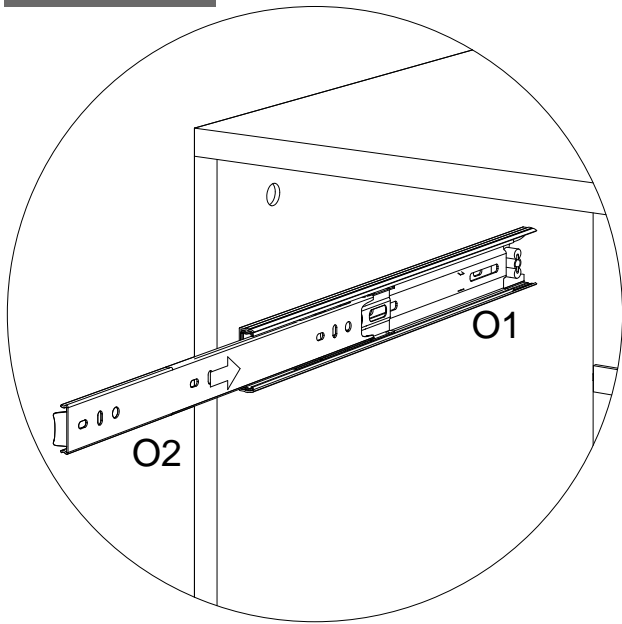


CX4



X2

STEP 13



To insert Drawers:

- Bring the ball-bearing slider on Drawer Glide Track(O1) forward to the front edge of(O1).
- Align the back open-end of the Drawer Glide Runner(O2) on each side of the drawer to fit squarely into the groove on the open front-end of(O1).Be sure the drawer/O2 is not tilted or angled, and gently push in drawer squarely.
- When the drawer is pushed in about half way,the Disconnect Lever on (O2) will be engaged onto(O1) which will create a slight resistance-this is normal. Pull out the drawer a little bit and gently push in the drawer again to engage the Lever to the slide mechanism on (O1). The drawer should now slide smoothly.
- If the drawer cannot be pushed in or stuck, do not force it in. Remove the drawer and repeat the steps above.

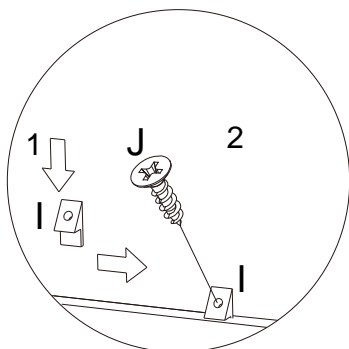
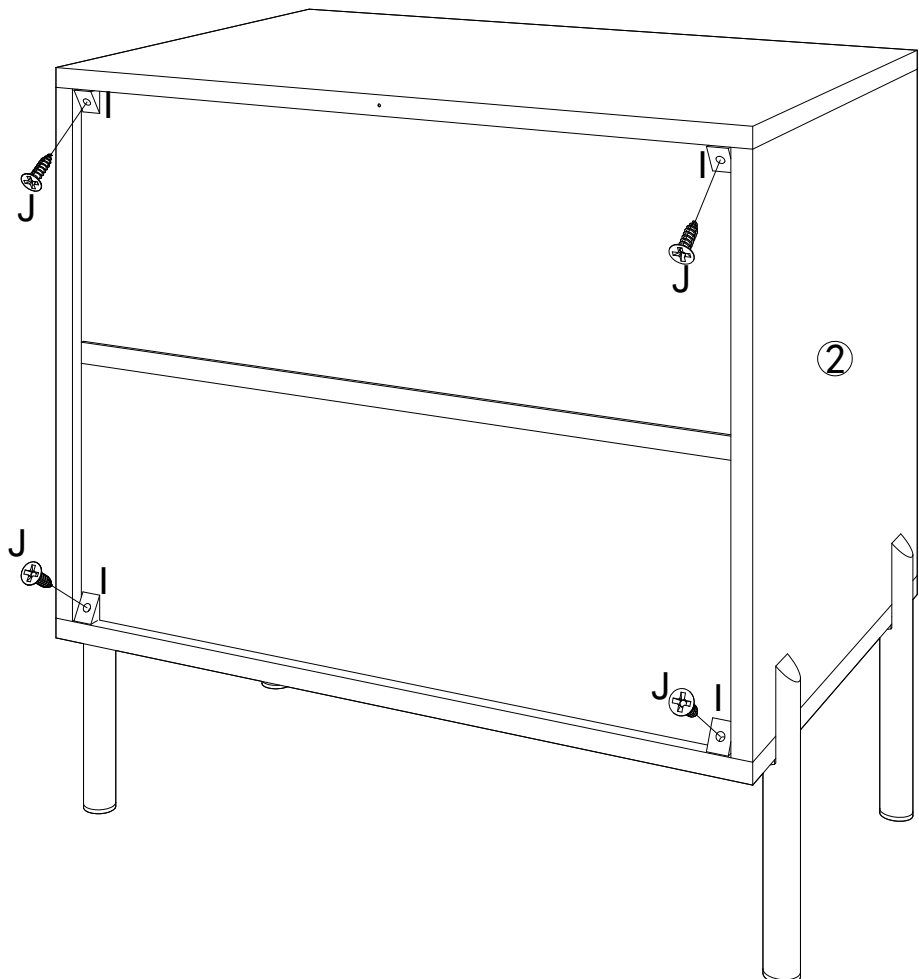
STEP 14



IX4



JX4

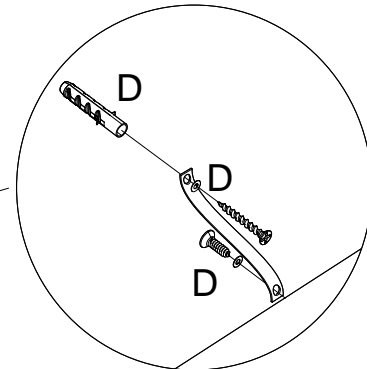
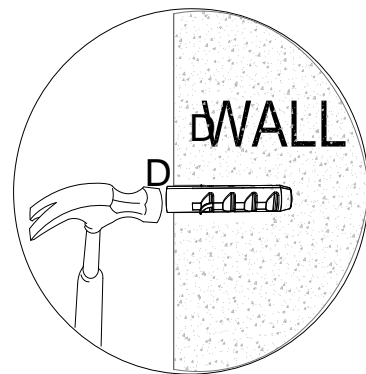
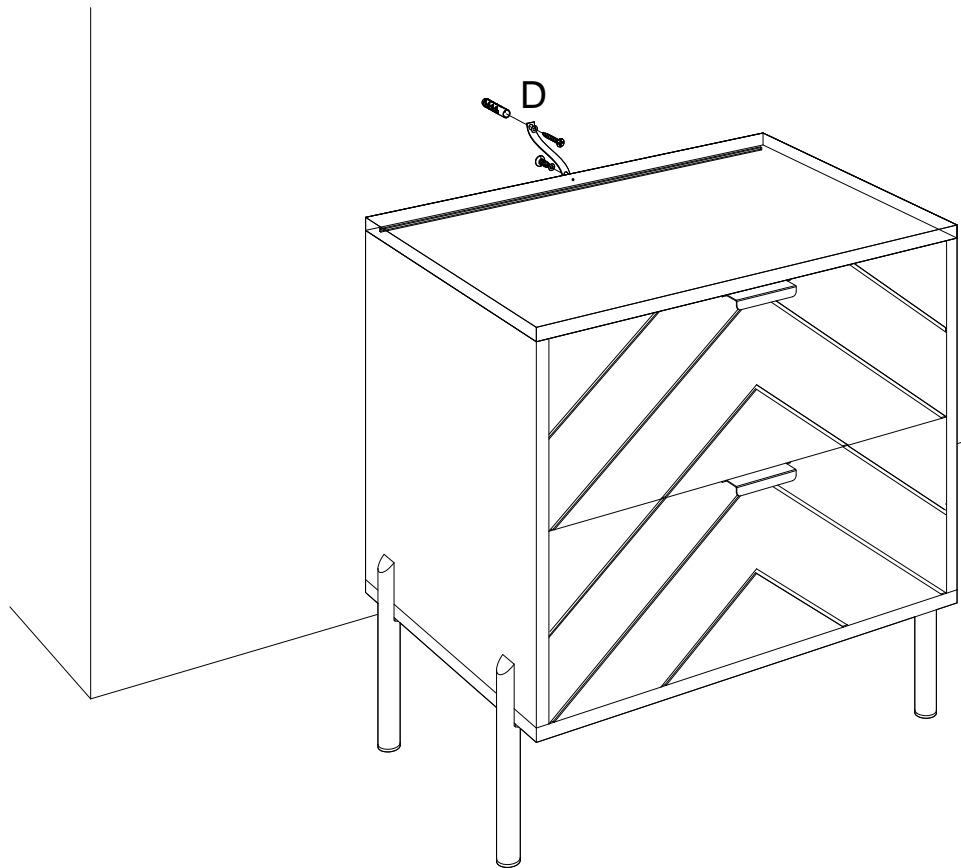


STEP 15



DX1

WALL



STEP 16

