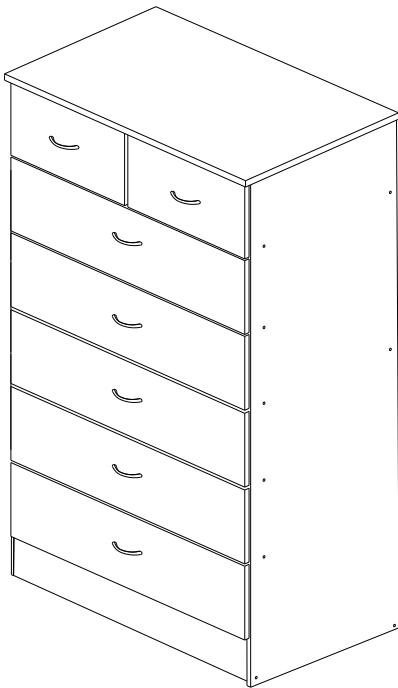


Assembly Instructions

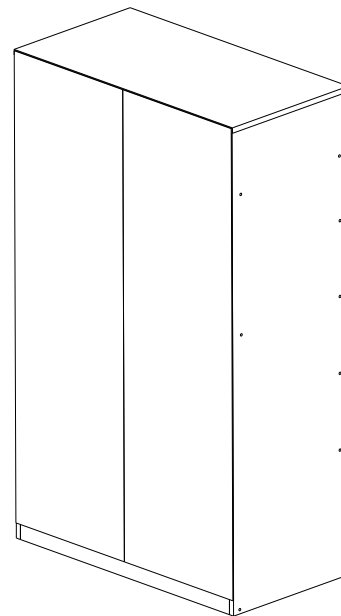
This instruction booklet contains important safety information, please read and keep for future reference.

ITEM # HI70DR-A

7 DRAWER CHEST



FRONT VIEW



BACK VIEW

Product Dimensions: Height 48.3" x Width 31.5" x Depth 17.75"

Weight Capacity: Large Drawer 20 lbs. | Small Drawer 15 lbs.



Phone

Mon – Fri | 9:30 am to 5pm EST

1 - 855 – HODEDAH

1 – 855 – 463 -3324



Email

Send us an email

Support@Hodedah.com



Website

Visit our website to open a case

www.Hodedah.com

Questions, need parts, we are here to help!

FOR PROMPT, RELIABLE SERVICE PLEASE HAVE YOUR INSTRUCTION MANUAL READY



DO NOT RETURN PRODUCT TO THE STORE

If parts are missing or damaged please contact our customer service team and we will gladly ship your replacement parts FREE of charge within **ONE YEAR** of purchase!

WARRANTY

Hodedah warrants this product to be free from defects in materials and workmanship and agrees to remedy any such defect. This warranty covers one year from the date of original purchase. This is solely limited to replacement of defective parts and no assembly for labor is included. This warranty does not apply to any product that has been improperly assembled, subjected to misuse, abuse or which has been altered or repaired in any way. To obtain warranty service, original purchaser must present the following; original bill of sale, date of purchase, where the product was purchased and images if applicable. Components replaced warranted through the remainder of the original warranty only. The defective part will be replaced without charge, subject to the terms and conditions described above.

WARNING

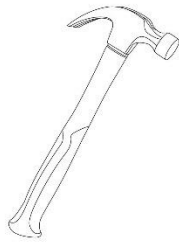
- This product contains small parts, keep away from children.
- This product contains plastic bags, keep away from children.
- Serious or fatal crushing injuries can occur from furniture tip-over. To help prevent this, place heaviest items on the lower shelves and drawers. Do not set heavy objects on top shelves and drawers.
- Never allow children to climb or hang on drawers, shelves and doors.
- Never open more than one drawer at a time.
- The use of tip-over restraints may reduce but not eliminate the risk of tip-over.

Let's get started...

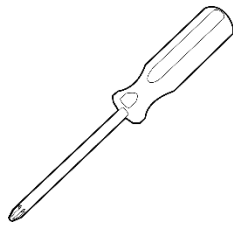
Helpful hints, read before beginning assembly

- Make sure you receive all boxes. If your item is packed in one box, box count will read 1 of 1, likewise if your item is packed in two boxes, box count will read 1 of 2 and second box will read 2 of 2.
- Read each step carefully. It is very important that each step is performed in the correct order. If these steps are not followed in sequence, assembly difficulties will occur.
- Work in a spacious level area, preferably carpet, near the place the unit will be used.
- **DO NO USE** power tools to assemble your furniture, it will strip and damage parts.
- Your package should include the following hardware and parts. Parts are labeled or stamped on the raw edge. Please inspect contents to ensure you have received all components. **If you are missing any hardware or parts please contact customer service right away before assembly.**

Assembly Tools Required (not supplied)



Hammer



Phillips Screwdriver



Tape Measure

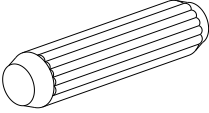
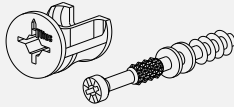

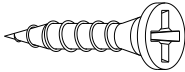
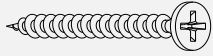
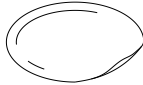

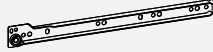

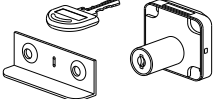
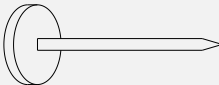


No Power Tools Needed

Product Care and Maintenance

- Wipe clean with dry soft cloth, never use chemicals or cleaning products they will damage the finish.
- Avoid placing your furniture in direct sunlight, as sunlight causes fading.
- Never push, drag or pull your furniture, to move to a new location carefully with two or more people carry the unit to its new location.
- Avoid extreme changes in temperature by arranging furniture away from radiators, heat and air vents and air conditioning units.

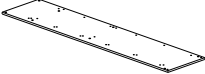

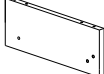
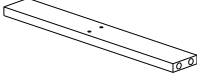
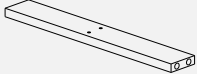
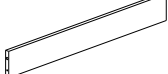


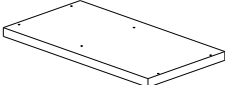
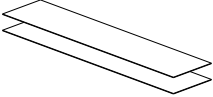
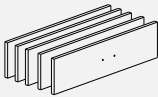
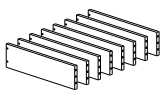
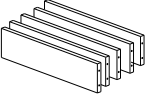
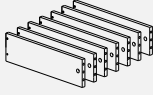
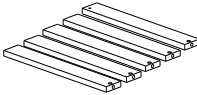
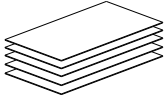

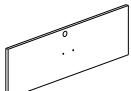
Hardware List

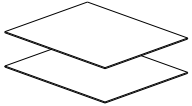

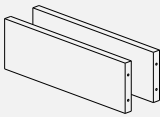

<p>A PVC Dowel</p> 	<p>QTY 54Pcs</p> <input type="checkbox"/>	<p>B Minifix</p> 	<p>QTY 25Sets</p> <input type="checkbox"/>	<p>C Screw M4x45mm</p> 	<p>QTY 53Pcs</p> <input type="checkbox"/>
<p>D Screw M3.5x16mm</p> 	<p>54Pcs</p> <input type="checkbox"/>	<p>E Screw M3.5x21mm</p> 	<p>14Pcs</p> <input type="checkbox"/>	<p>F Sticker</p> 	<p>32Pcs</p> <input type="checkbox"/>
<p>G Handle (96mm)</p> 	<p>7Pcs</p> <input type="checkbox"/>	<p>H Drawer Slide – A (300mm)</p> 	<p>14Pcs</p> <input type="checkbox"/>	<p>I Nail</p> 	<p>40Pcs</p> <input type="checkbox"/>
<p>J Lock</p> 	<p>2Sets</p> <input type="checkbox"/>	<p>K Leg</p> 	<p>4Pcs</p> <input type="checkbox"/>		

Important

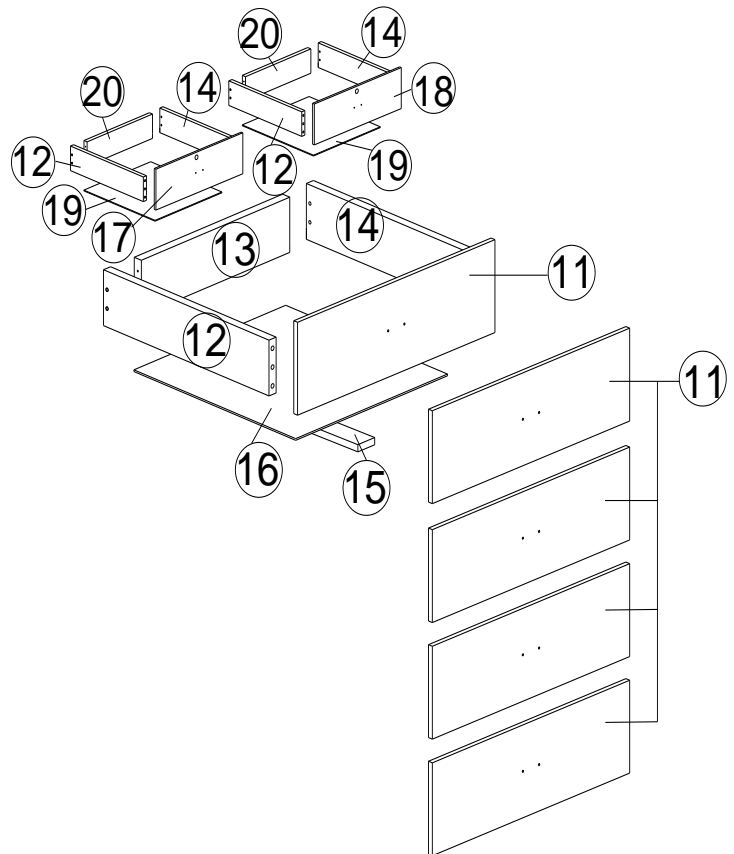
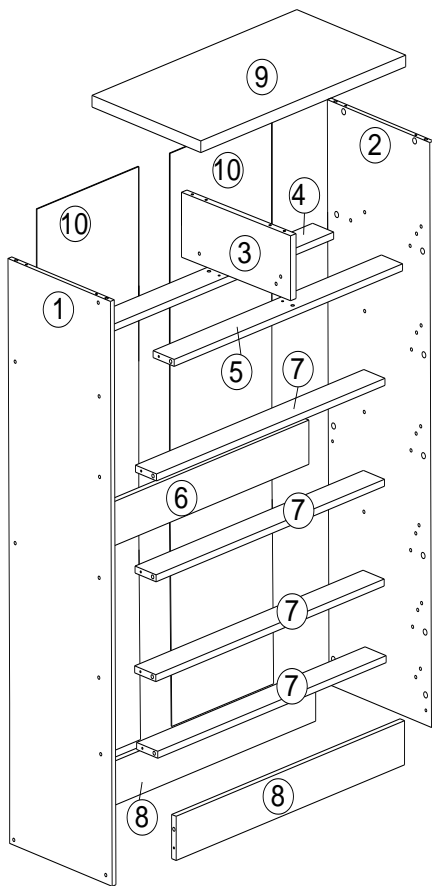
1. Before you throw the package, please use the Check Box to identify the parts and hardware to ensure that you have everything you need.
2. Check and measure the bolts before applying them to parts.
3. Do not completely tighten all hardware until the entire assembly is complete, unless indicated otherwise.

Parts List

<p>1 Left Side Panel 1200x430x15mm</p> 	<p>QTY 1pc</p> <input data-bbox="462 426 544 499" type="checkbox"/>	<p>2 Right Side Panel 1200x430x15mm</p> 	<p>QTY 1pc</p> <input data-bbox="935 426 1016 499" type="checkbox"/>	<p>3 Divider Panel 430x180x15mm</p> 	<p>QTY 1pc</p> <input data-bbox="1408 426 1489 499" type="checkbox"/>
<p>4 Strengthening Panel - Back LVL 758x65x15mm</p> 	<p>1pc</p> <input data-bbox="462 640 544 714" type="checkbox"/>	<p>5 Strengthening Panel - Front LVL 758x65x15mm</p> 	<p>1pc</p> <input data-bbox="935 640 1016 714" type="checkbox"/>	<p>6 Back Strengthening Panel 758x70x15mm</p> 	<p>1pc</p> <input data-bbox="1408 640 1489 714" type="checkbox"/>
<p>7 Front Strengthening Panel 758x70x15mm</p> 	<p>4pc</p> <input data-bbox="462 888 544 961" type="checkbox"/>	<p>8 Kick Panel 758x95x15mm</p> 	<p>2Pcs</p> <input data-bbox="935 888 1016 961" type="checkbox"/>	<p>9 Top Panel 800x450x30mm</p> 	<p>1pc</p> <input data-bbox="1408 888 1489 961" type="checkbox"/>
<p>10 Back Panel 1170x393x2.5mm</p> 	<p>2Pcs</p> <input data-bbox="456 1146 537 1220" type="checkbox"/>	<p>11 Drawer Front Panel - Big Drawer 778x180x15mm</p> 	<p>5Pcs</p> <input data-bbox="935 1146 1016 1220" type="checkbox"/>	<p>12 Drawer - Left Side Panel 350x116x15mm</p> 	<p>7Pcs</p> <input data-bbox="1408 1146 1489 1220" type="checkbox"/>
<p>13 Drawer End Panel - Big Drawer 701x116x15mm</p> 	<p>5Pcs</p> <input data-bbox="456 1398 537 1472" type="checkbox"/>	<p>14 Drawer - Right Side Panel 350x116x15mm</p> 	<p>7Pcs</p> <input data-bbox="935 1398 1016 1472" type="checkbox"/>	<p>15 Drawer Base Supporting Panel 335x50x15mm</p> 	<p>5Pcs</p> <input data-bbox="1408 1398 1489 1472" type="checkbox"/>
<p>16 Drawer Base Panel - Big Drawer 710x344x2.5mm</p> 	<p>5Pcs</p> <input data-bbox="456 1671 537 1745" type="checkbox"/>	<p>17 Left Drawer Front Panel - Small Drawer 386x180x15mm</p> 	<p>1Pc</p> <input data-bbox="935 1671 1016 1745" type="checkbox"/>	<p>18 Right Drawer Front Panel - Small Drawer 386x180x15mm</p> 	<p>1Pc</p> <input data-bbox="1408 1671 1489 1745" type="checkbox"/>

<p>19 Drawer Base Panel – Small Drawer 323x344x2.5mm</p> 	<p>2Pcs</p> 	<p>20 Drawer End Panel – Small Drawer 314x116x15mm</p> 	<p>2Pcs</p> 
---	--	---	---

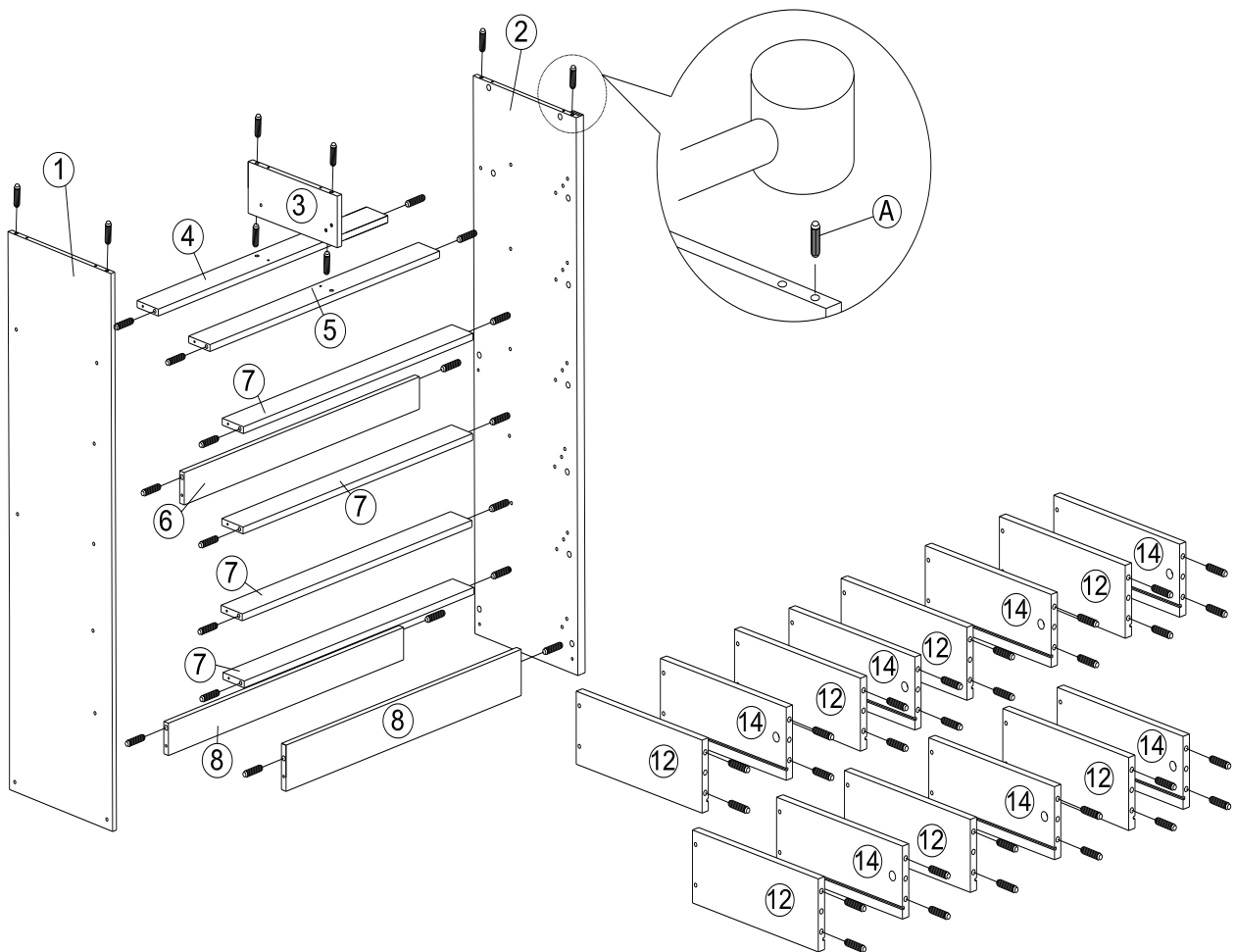
The Breakdown...



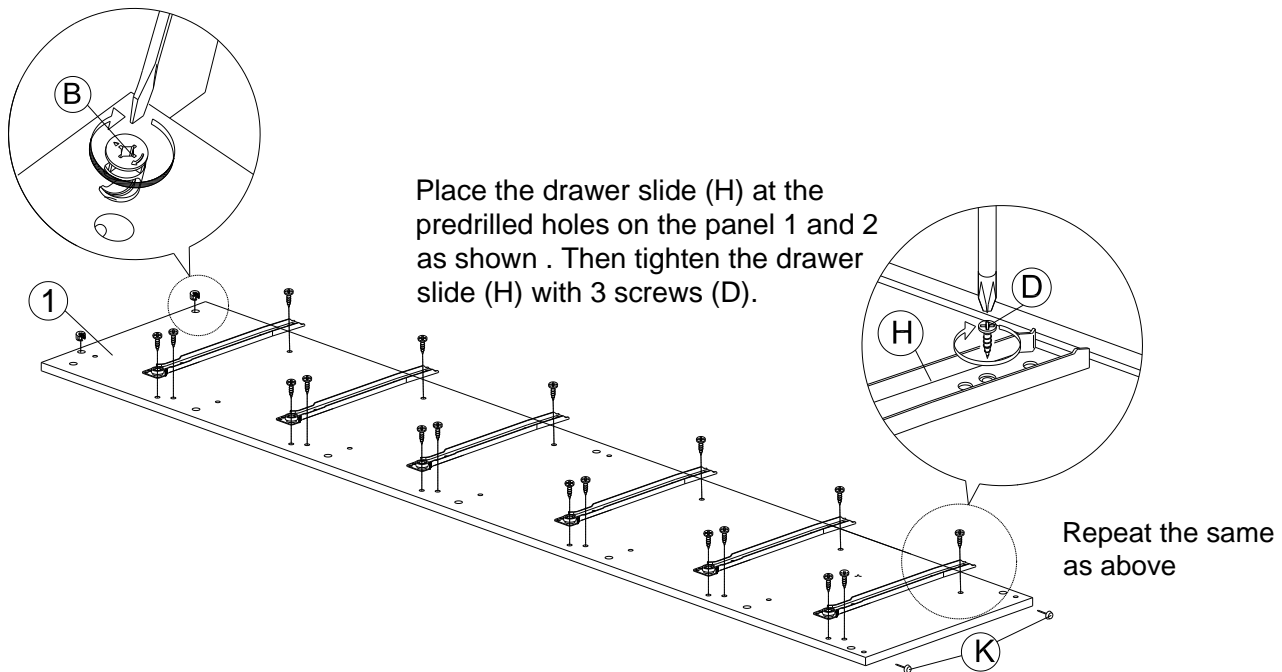
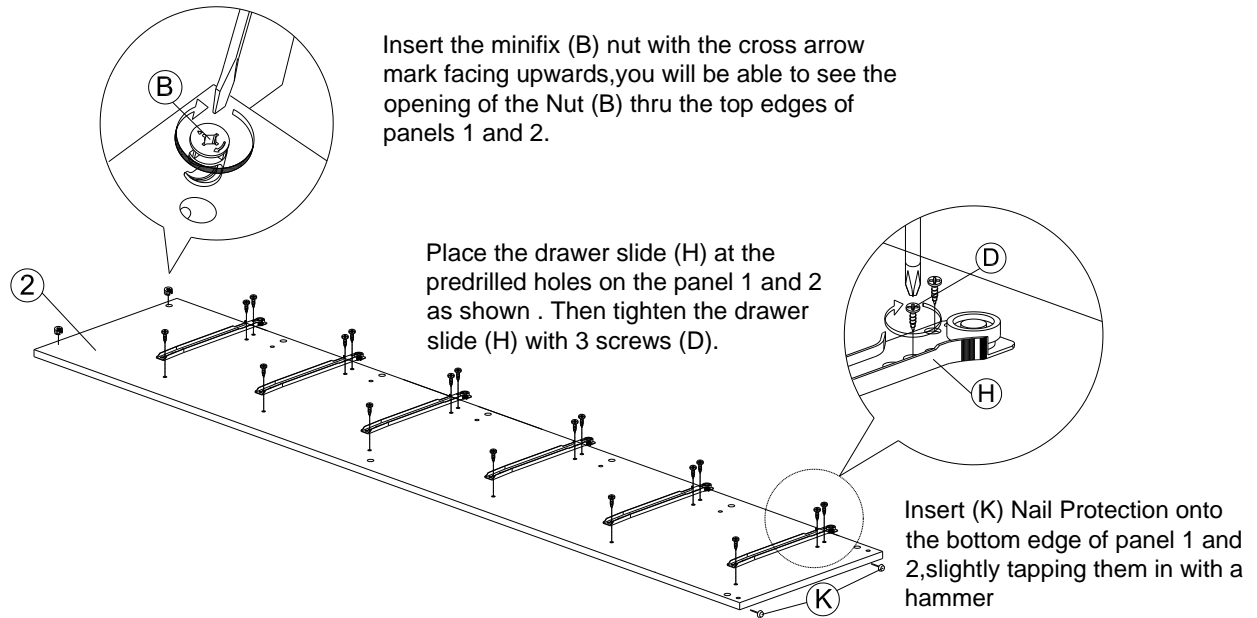
Step 1

Insert PVC dowel (A) to Panel 1,2,3,4,5,6,7,8,12 and 14's non-thru holes as shown, using hammer to gently tap them in.

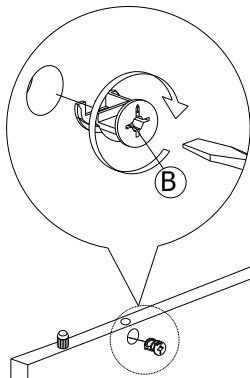
Non-thru holes (are small indents in the wood that show you where the screws should be.)



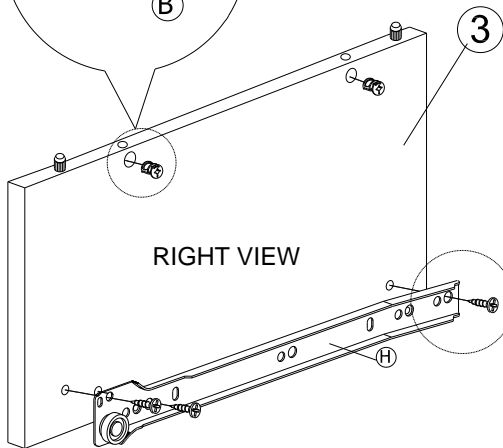
Step 2



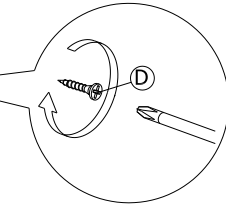
Step 3



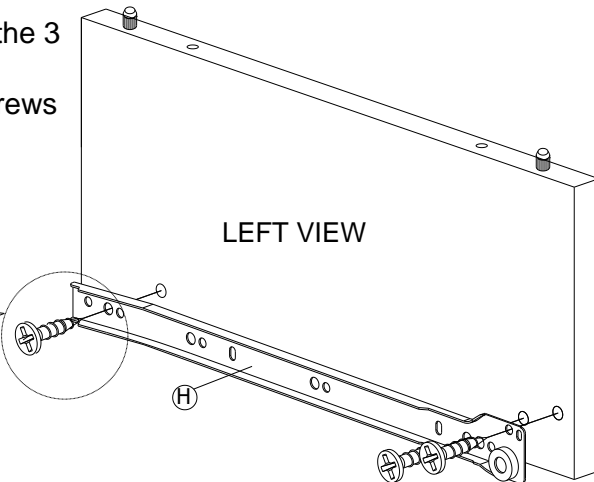
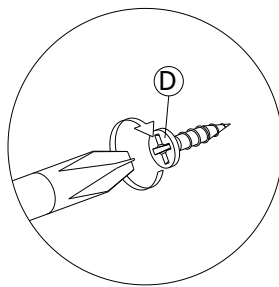
Insert the minifix (B) (nuts) with the cross arrow mark facing up ward and aim to panel 3 's top thru holes.(AS shown)



Place the drawer slide (H) onto the 3 holes area shown at right view of panel 3. then tighten it with 3 screws (D).



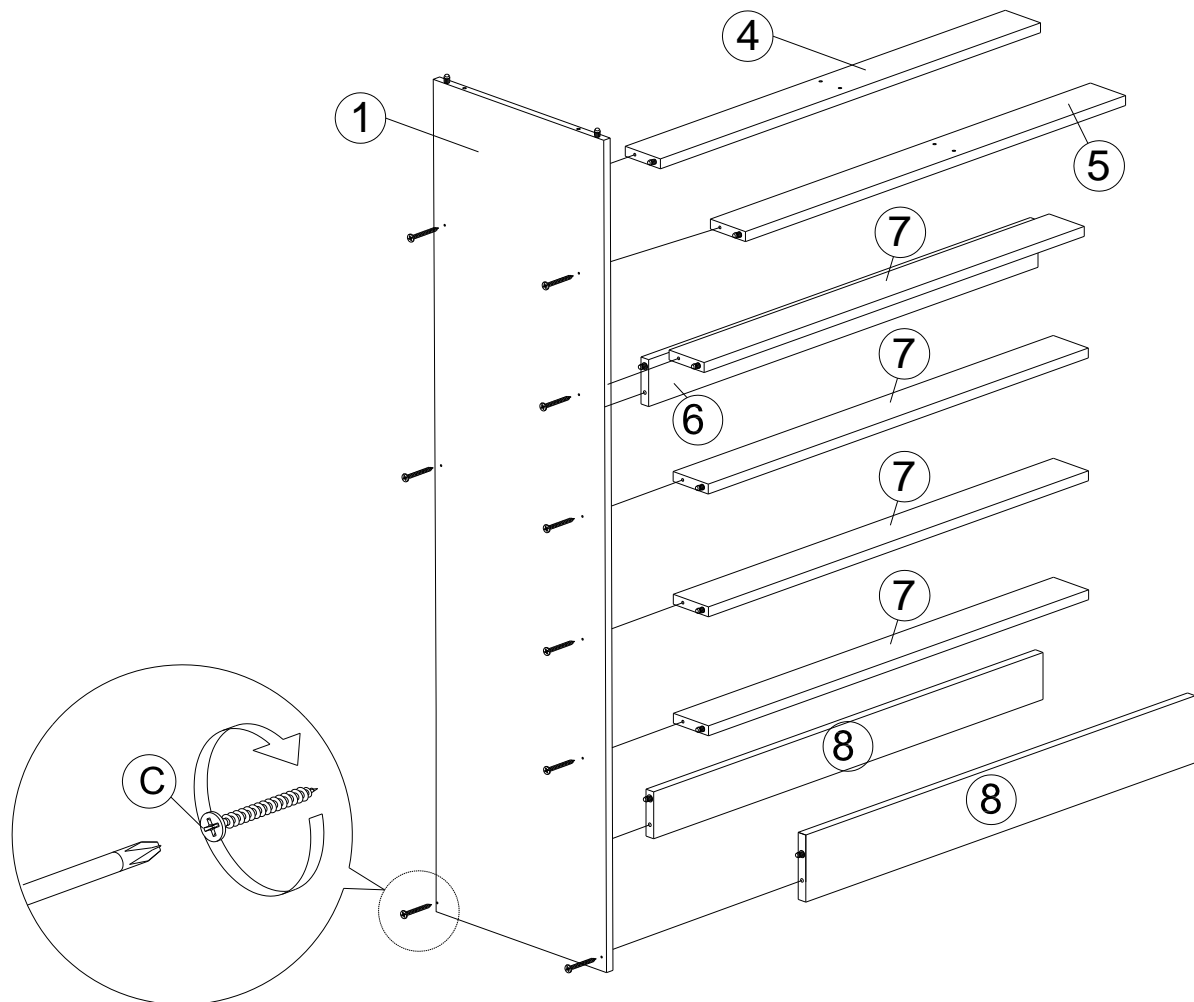
Place the drawer slide (H) onto the 3 holes area shown at left view of panel 3. then tighten it with 3 screws (D).



Step 4

*Place and fix Panel 4, 5, 6, 7 and 8 onto Panel 1 by inserting the (Left) dowels onto the non-thru holes at Panel 1 by slightly tapping them in with hammer.

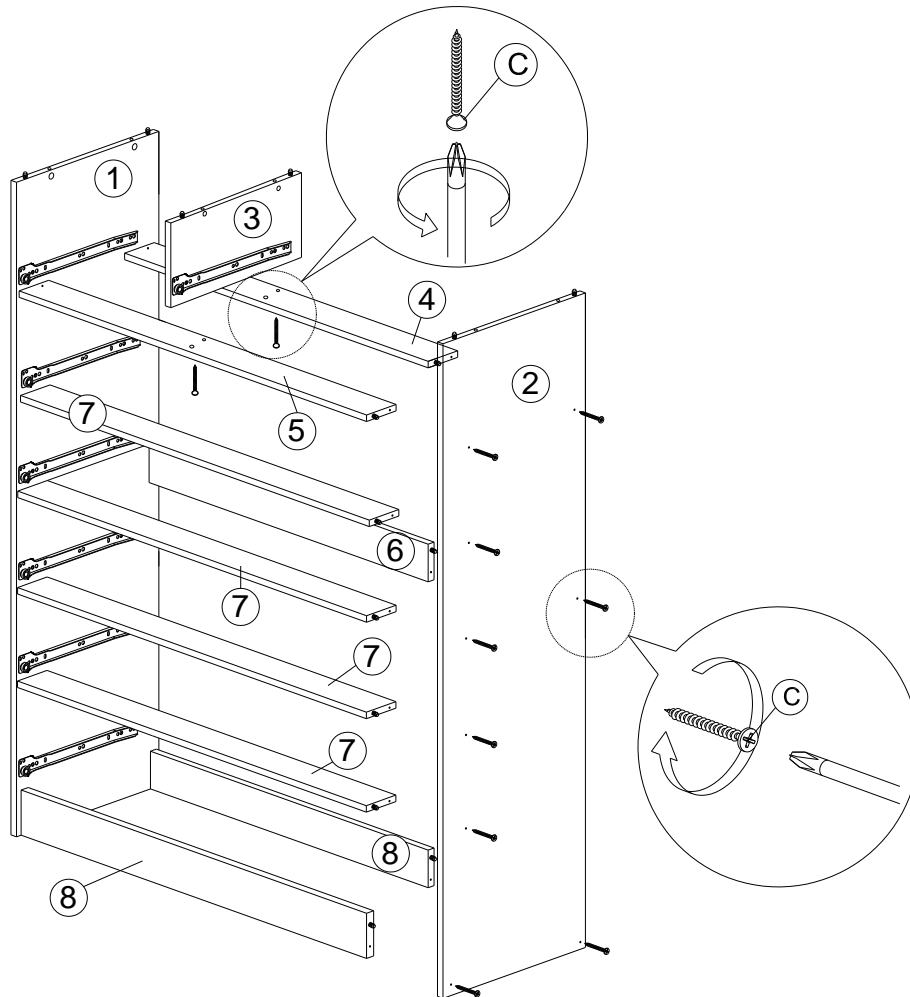
*Inset and Fasten screw (C) (Using predrilled holes on Panel 1) into the Panel 4,5,6,7 and 8 by using screwdriver.



Step 5

*Place and fix Panel 3 onto panel 4 and 5 by inserting the dowels onto the non-thru holes at Panel 3.

*Fasten screw (C) from under the Panel 4 and 5 using predrilled holes and tighten it into Panel 3.



*Place and fix Panel 4,5,6,7 and 8 onto Panel 2 by inserting the (Right) dowels onto the non-thru holes at Panel 2, then slightly hammer it in from outside of Panel 2.

*Fasten screw (C) from the outside of Panel 2 by using the predrilled holes to attach Panel 4,5,6,7 and 8.

Step 6

*First prepare panel 9.

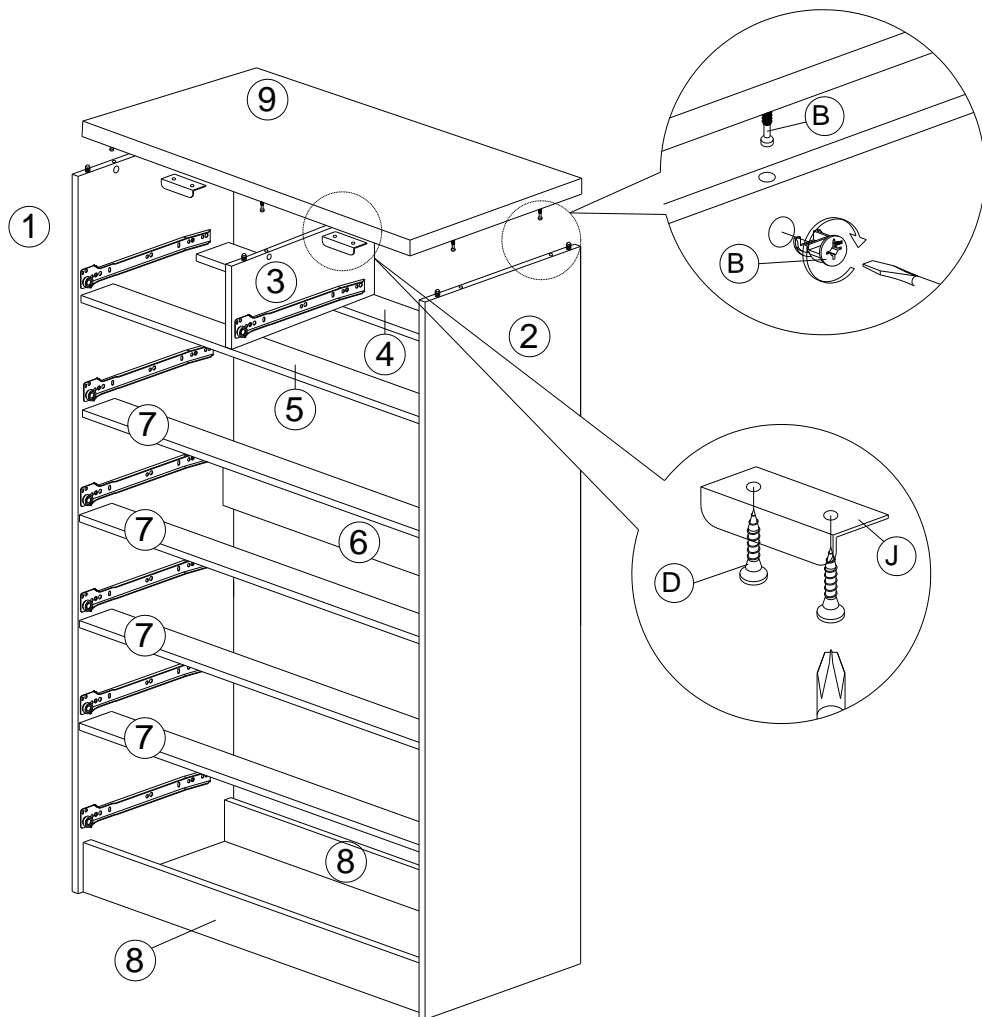
*Place minifix (B) Long piece onto the holes of Panel 9. (You will use 6 pcs)

*Then place lock stopper (J) onto the bottom of Panel 9, using screw (D).

*Fix Panel 9 onto Panel 1, 2 and 3 align properly by inserting the 6 dowels of Panel 1 and 2 onto the non-thru holes of Panel 9. (Slightly hammer it in)

*Pushing and light tapping of Panel 9 to have Panel 1, Panel 2, Panel 3, and Panel 9 fix tightly.

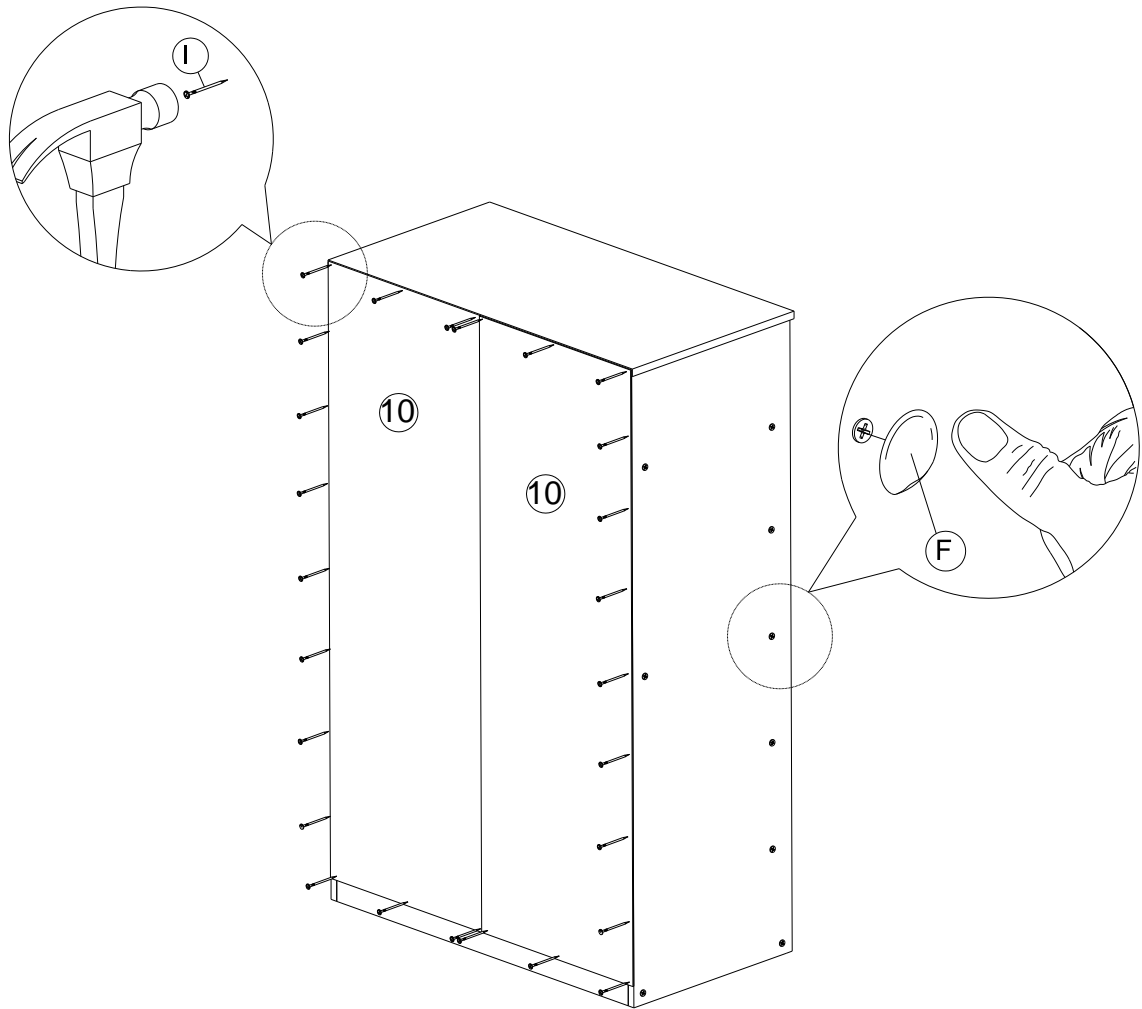
*Tighten minifix (B) clockwise to lock minifix up by going under Panel 9 and tighten it upon both sides and middle pieces (Panel 1, 2, and 3)



Step 7

*Fix 40 x Nails (I) into Panel 10 using a Hammer

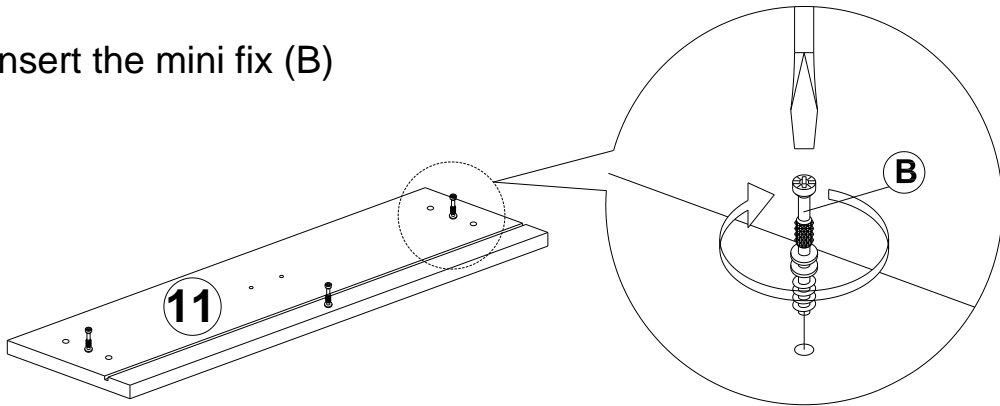
*Cover all the screws (C)' head with sticker (F) provided by stick up onto hole of screw (C) heads one by one for all the screw (C)



Step 8

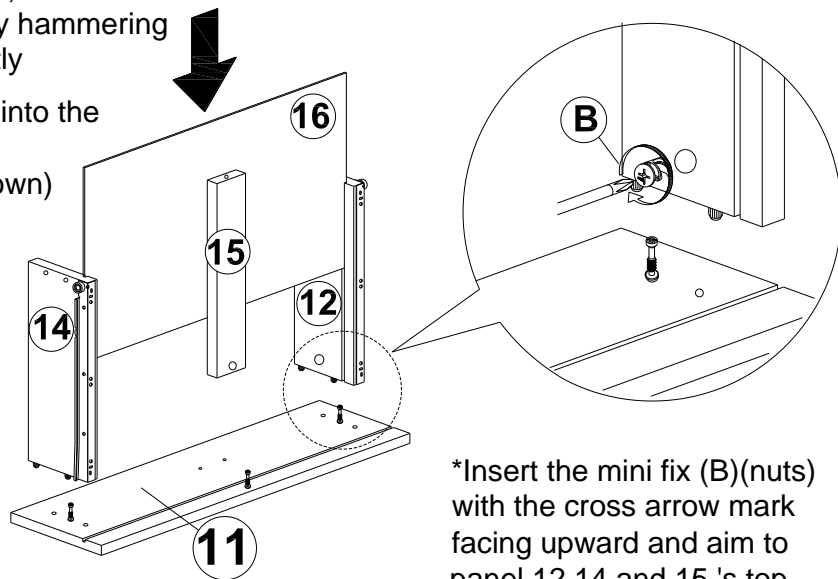
Assembly Of Big Drawer : 5 Drawers

*Insert the mini fix (B)



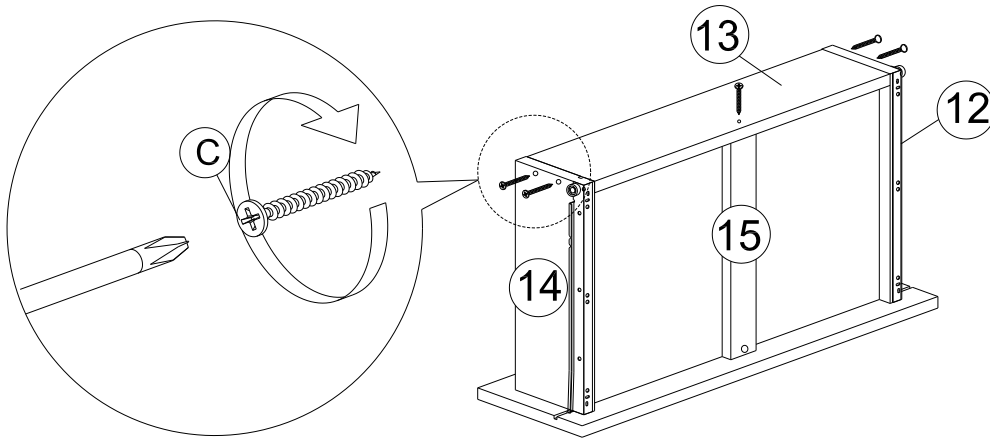
*Insert Panels 12,14 and 15 on to panel 11 by hammering the dowels slightly

*Insert Panel 16 into the drawer and align properly. (As shown)

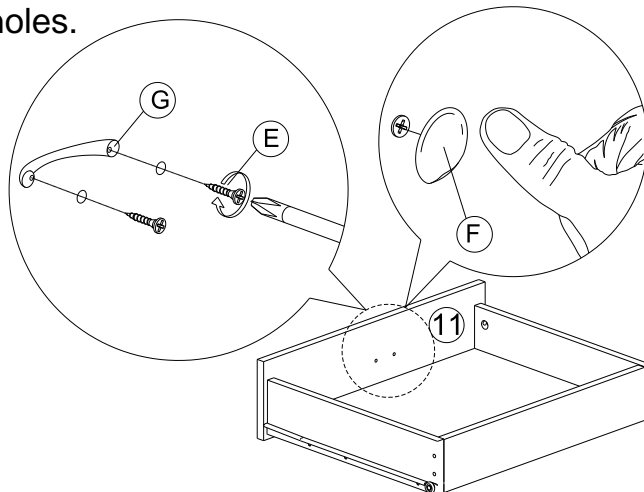


*Insert the mini fix (B)(nuts) with the cross arrow mark facing upward and aim to panel 12,14 and 15 's top thru holes.(As shown)

- *Place panel 13 on each side of panel 12 and 14 as shown.
- *Then, tighten screw (C) to panel 14 's upper thru holes to fix them onto panel 13.
- *Next tighten screw (C) to panel 12 's upper thru holes to fix up to the panel 13.
- *Tighten screw (C) to panel 13 upper thru holes to fix up to the panel 15.



- *Flip the drawer over.
- *Tighten 2 screw (E) from inner side of panel 11 into the handle (G) holes.

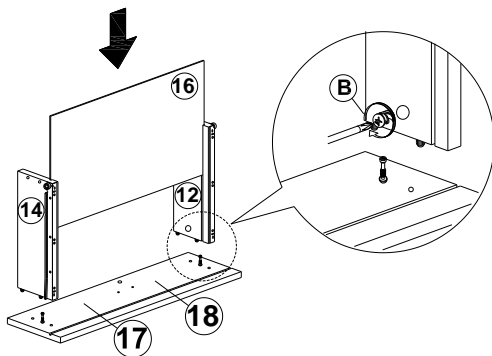
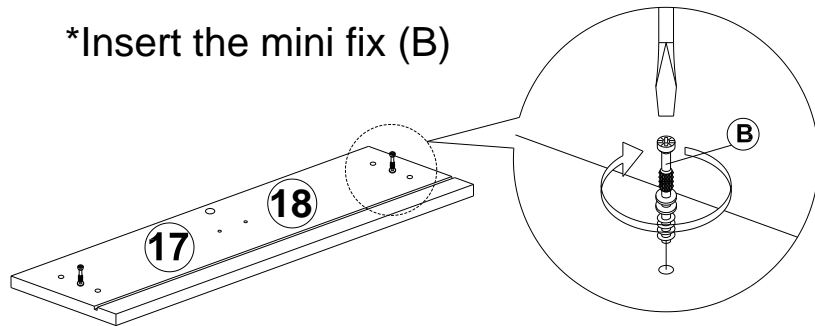


- *Cover all screw (E)' head with sticker provided by stick up onto the hole of screw (E)' head.

Step 8

Assembly Of Small Drawer : 2 Drawers

*Insert the mini fix (B)



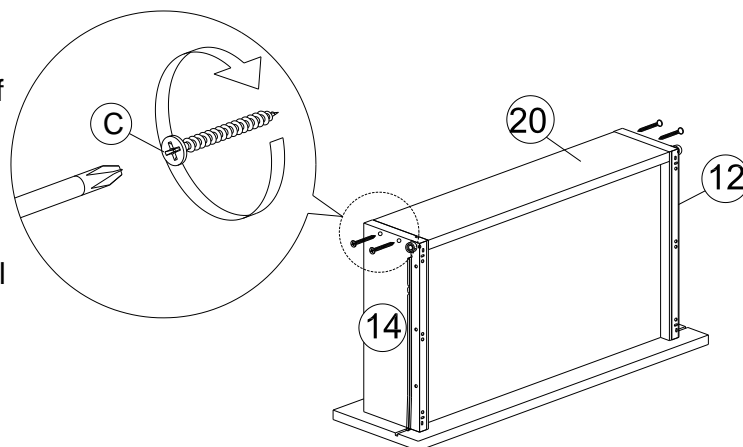
*Insert the mini fix (B)(nuts) with the cross arrow mark facing upward and aim to panel 12 and 14 's top thru holes.(As shown)

*Slide in panel 16 into panel 12 and 14,slightly hammer panel 12 and 14 into panels 17 and 18.

*Place panel 20 on each side of panel 12 and 14 as shown.

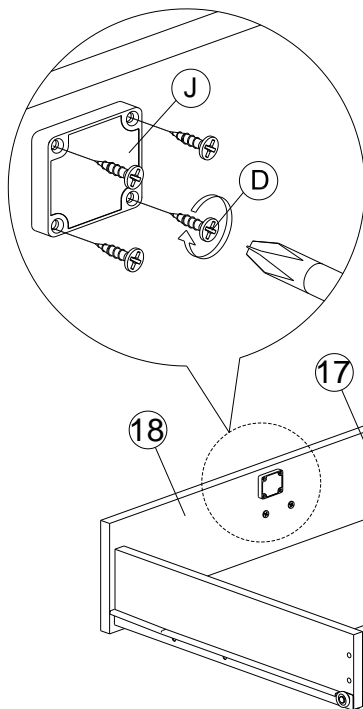
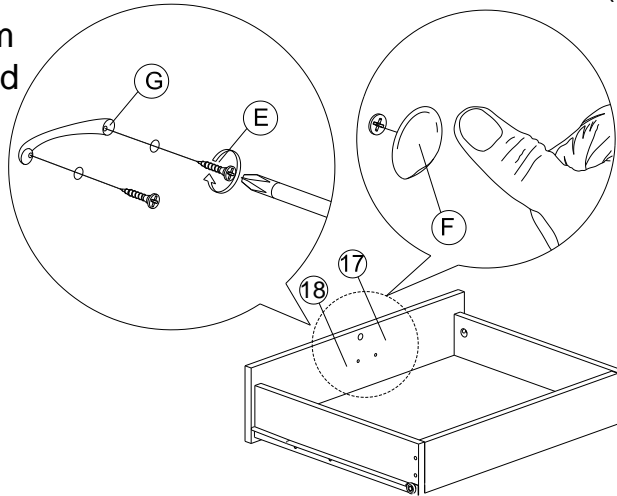
*Then, tighten screw (C) to panel 12 's upper thru holes to fix them onto panel 20.

*Next tighten screw (C) to panel 14 's upper thru holes to fix up to the panel 20.



*Flip the drawer over.
*Tighten 2 screw (E) from inner side of panel 17 and 18 into the handle (G) holes.

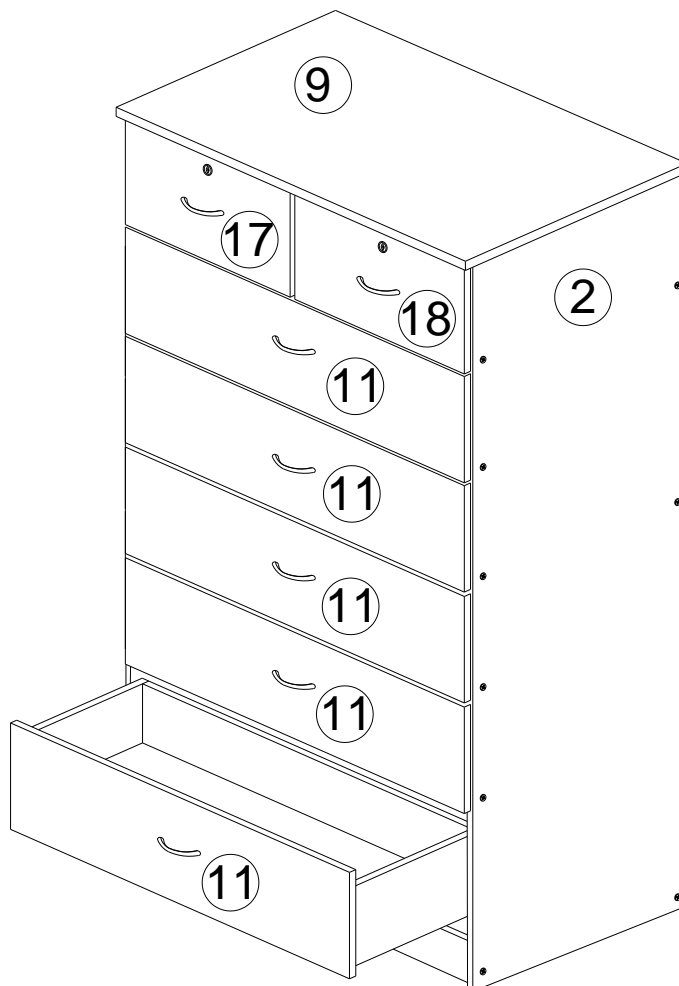
*Cover all screw (E)'head with sticker (F) provided by stick up onto the hole of screw (E)' head.



*Flip the drawer over.
*Tighten 4 screw (D) from inner side of panel 17 and 18 into the Lock (J) holes.

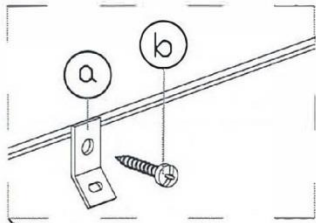
Step 9

*Take all drawers, and slide them (the white rollers at drawer slide at both side of drawers are to go into the track of the slide at each side panel.)All the way gently, one drawer by one drawer starting from bottom one.



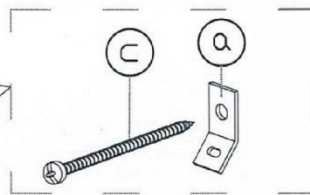
FITTING OF ANTI-TIP SAFETY STRAP

STEP 1:

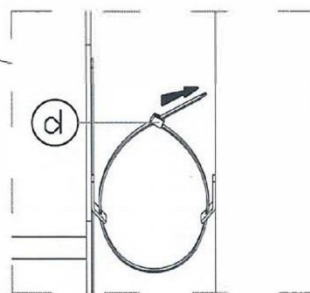


- Attach the mounting bracket (a) to the furniture in the solid part below the top panel a few inches away from the side of the unit.
- Screw (b) through the smallest hole of (a).

STEP 2:

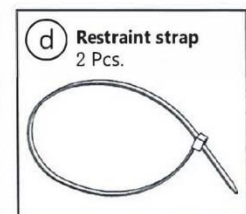
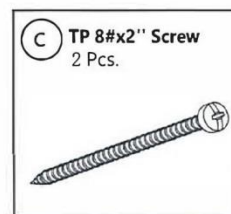
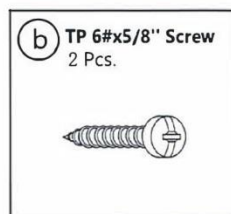
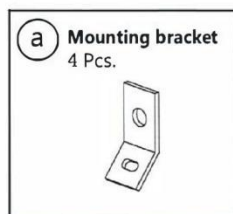
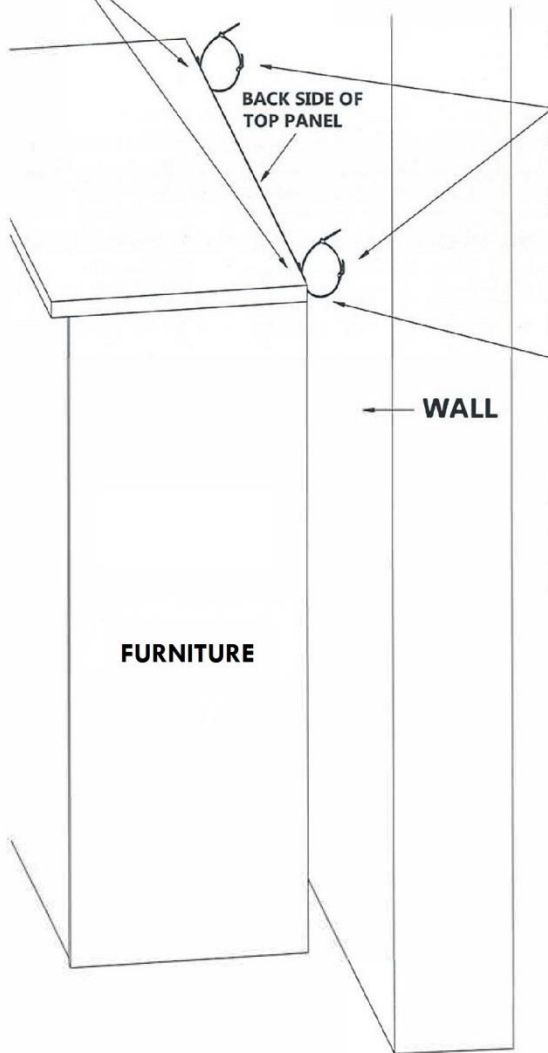


- Locate a stud in behind the wall you have to
- Place the other mounting bracket (a) on the wall stud 2 inches below the mounting bracket secured to the back of your unit.
- Attach to the wall stud using (c) through the smaller hole of (a).



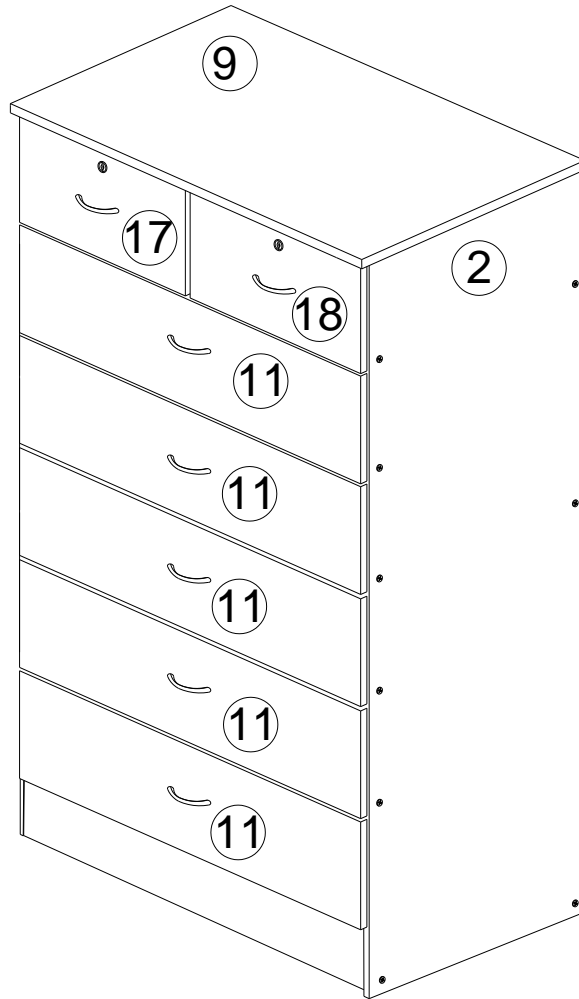
STEP 3:

- Repeat the same step a few inches away from the other side of the unit.
- Place the furniture into position so both mounting brackets are vertically in line.
- Lace the end of the restraint strap through the larger holes in each mounting bracket.
- Secure the straps and lock into place.



HODEDAH®

Job Complete...



Enjoy & Thank you for purchasing from Hodedah!

