

ASTB4-WHSS



Thank you for choosing this furniture.

BEFORE YOU START ASSEMBLY please store the carton at room temperature for 48 hours or more so the contents can acclimatise.

PLEASE RETAIN ALL PACKING UNTIL YOU HAVE COMPLETED ASSEMBLY.

CARING FOR YOUR FURNITURE

Please avoid placing your table close to radiators or other direct sources of heat.

Avoid leaving heavy items on your table as it may cause the top to move under the application of continuous weight.

The table is not suitable for use in humid environments or outdoors.

It is best to avoid exposing your furniture to continued bright sunlight as it can affect the colour. Any fluid spills should be removed as quickly as possible.

Always lift your table when moving as dragging may cause damage to your furniture or flooring.

AFTER CARE

Wipe the surfaces with a damp cloth . Please do not use detergents, bleach or chemicals on your furniture.












RETAIN THE ALLEN KEY PROVIDED TO TIGHTEN THE LEGS OCCASIONALLY. Do not stand or step on this table.

Ensure your table sits evenly on your floor by adjusting the levellers whenever necessary.

BUILD YOUR FURNITURE ON A SOFT CLEAN COVER TO AVOID COMPONENTS BEING MARKED OR DAMAGED DURING ASSEMBLY.



PARTS LIST

A  X1	B  X1
C  X1	D  X1
E  M6X16mm X4	F  M8X20mm X4
G  Ø6X16X1.5mm X4	H  X4
I  X1	J  M8X70mm X1
K  Ø8X18X1.5mm X5	

BEFORE YOU START ASSEMBLY

Please check that you have all the correct parts and fittings as detailed in the Parts List above.

In the unlikely event that you require to order spare parts please refer to your delivery note for details of how to order on our Parts Website.

www.coreproducts.co.uk/parts

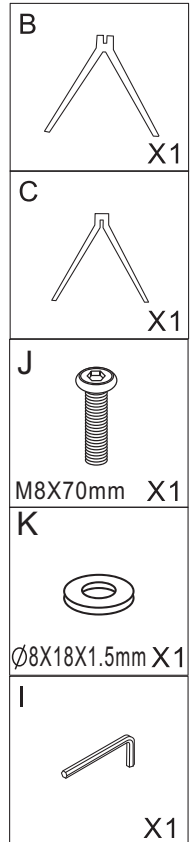
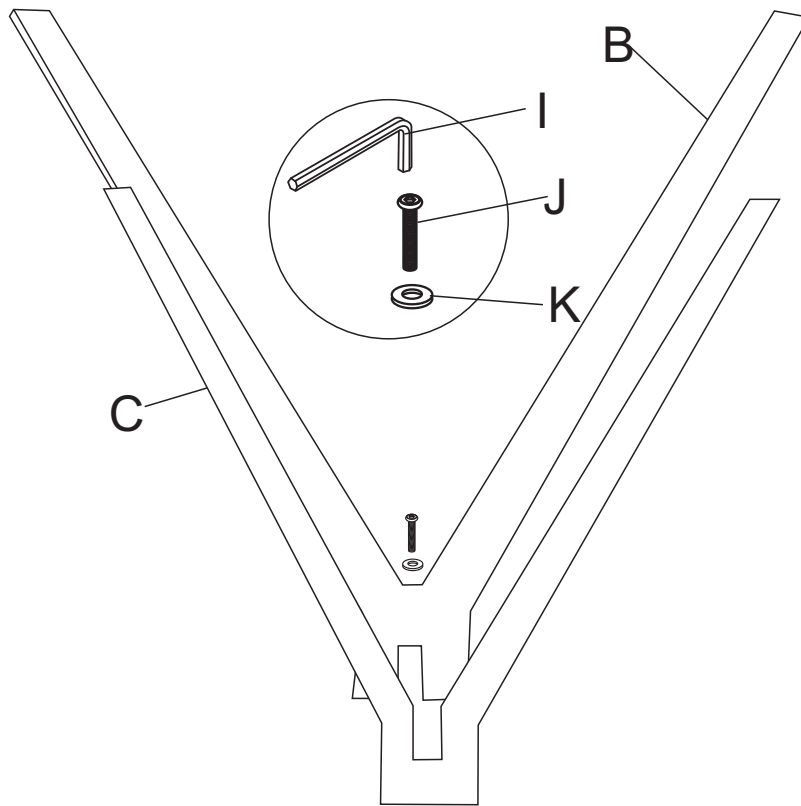
BATCH NUMBER

BAZ7455



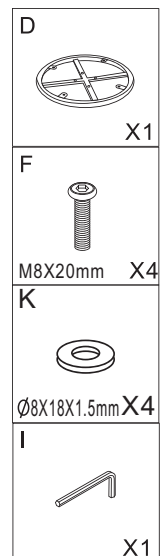
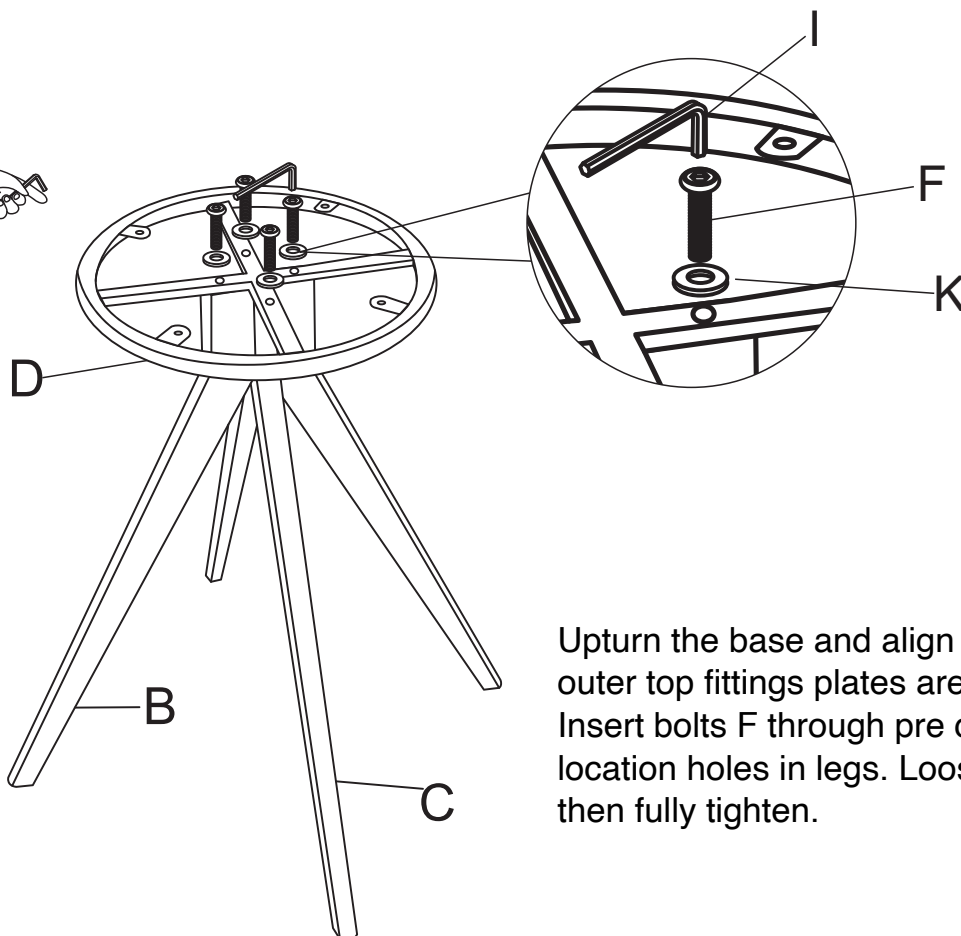
PLEASE RETAIN THIS INSTRUCTION LEAFLET AND ALLEN KEY FOR FUTURE USE.

1



Slide part B on to part C and ensure they are correctly aligned. Insert bolt J into centre hole and fully tighten.

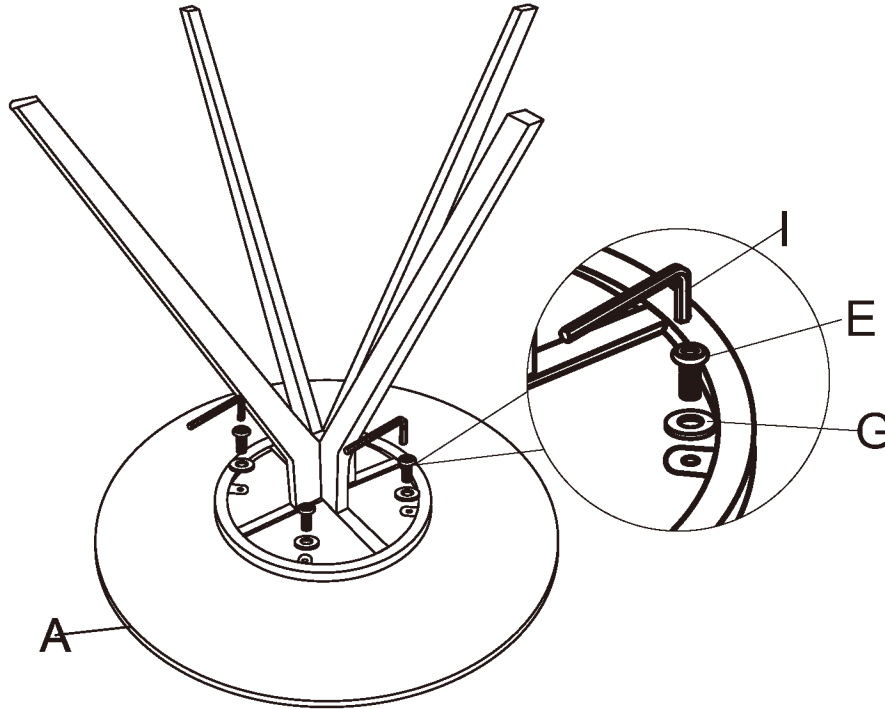
2



Upturn the base and align part D, ensure the outer top fittings plates are facing upwards. Insert bolts F through pre drilled holes into location holes in legs. Loose tighten all 4 bolts then fully tighten.

DO NOT FULLY TIGHTEN until all the bolts are correctly inserted and loose tightened. Once you are satisfied all bolts are in the correct position then FULLY TIGHTEN.

3

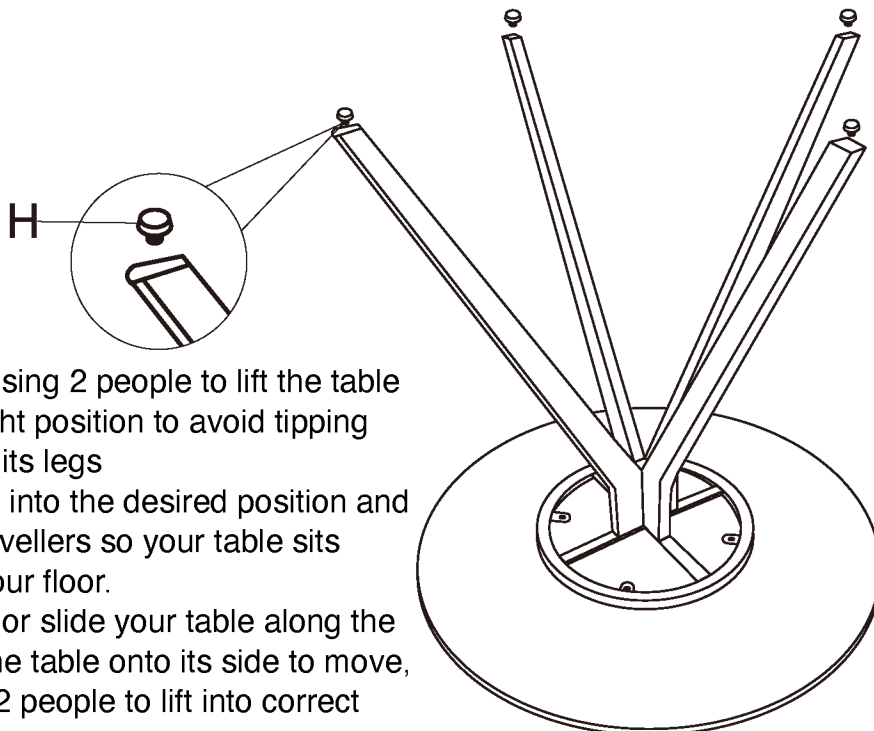


A		X1
E		M6X16mm X4
G		Ø6X16X1.5mm X4
I		X1

PLACE THE TOP ON TO A SMOOTH CLEAN SURFACE FACE DOWNWARDS.

Insert bolts E into the corresponding holes on the underside of the table top, do not fully tighten. Once all the bolts are inserted then fully tighten each bolt.

4



H		X4
---	--	----

Insert adjustable feet into ends of legs, do not fully tighten.

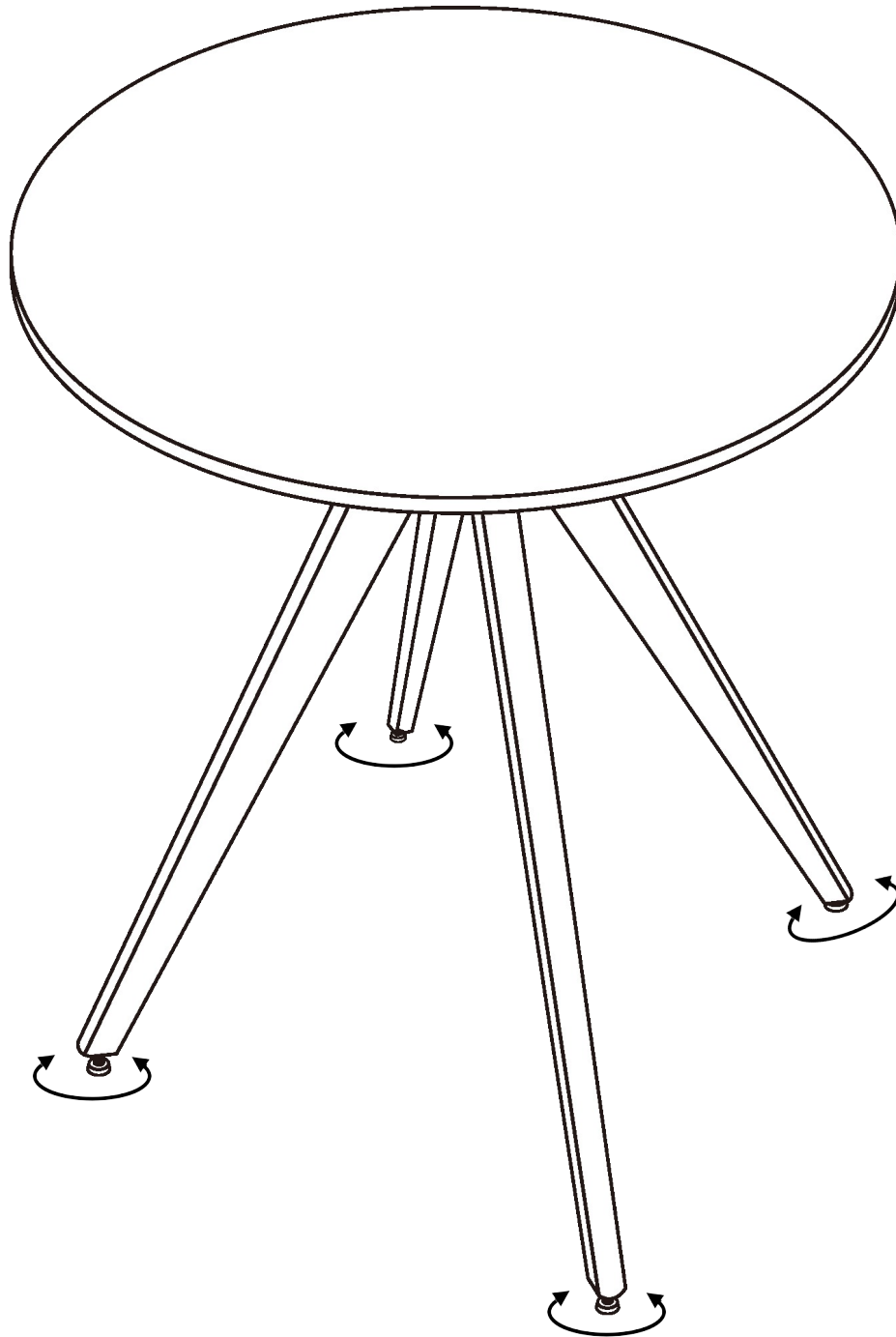
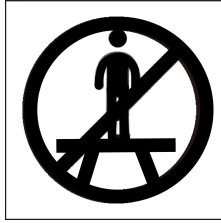
We advise using 2 people to lift the table into its upright position to avoid tipping the table on its legs

Lift the table into the desired position and adjust the levellers so your table sits evenly on your floor.

Do not drag or slide your table along the floor or tip the table onto its side to move, always use 2 people to lift into correct position.

DO NOT SIT OR STAND ON YOUR DINING TABLE.

5



Finally place the table into the desired position and adjust the levellers so your table sits evenly on your floor.

Do not drag or slide your table along the floor or tip the table onto its side to move, always use 2 people to lift into correct position.

WARNING, DO NOT SIT OR STAND ON YOUR DINING TABLE