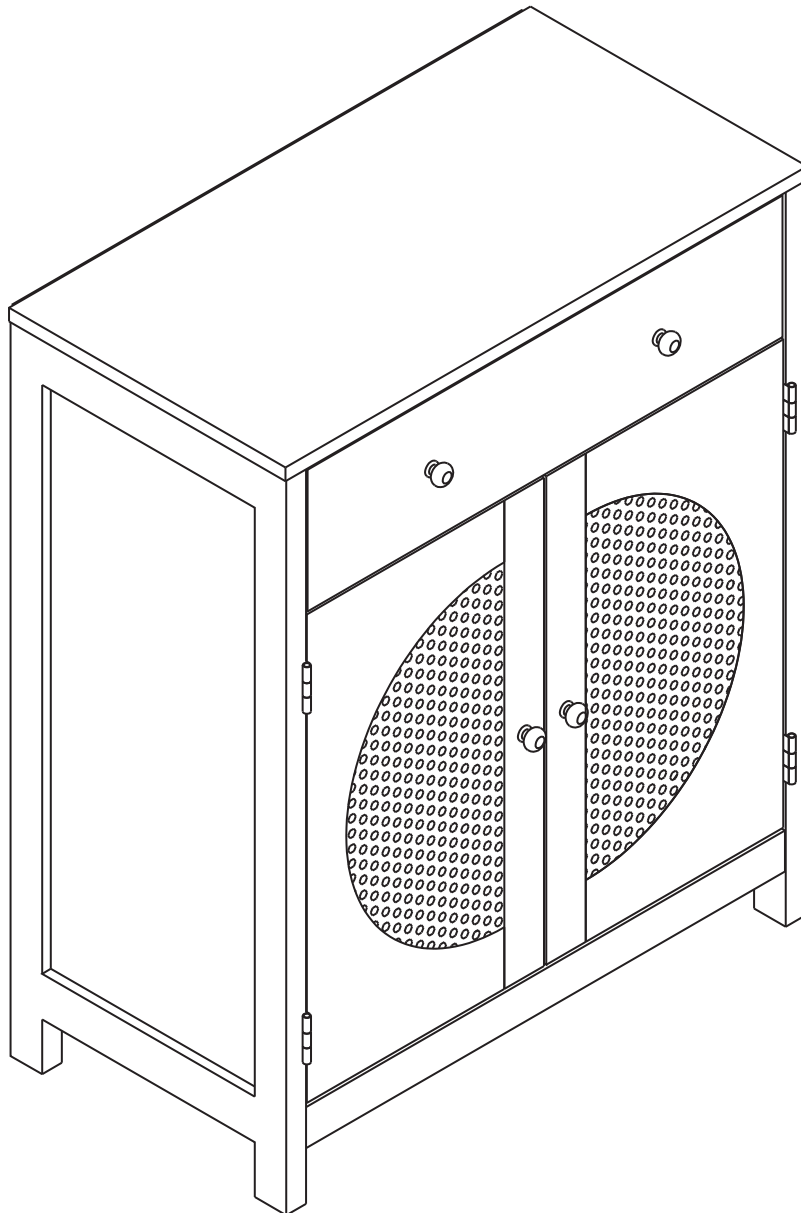


# CUSTOMER MANUAL

-V0.1



If you have any questions,  
please contact us.

## **WARNING**



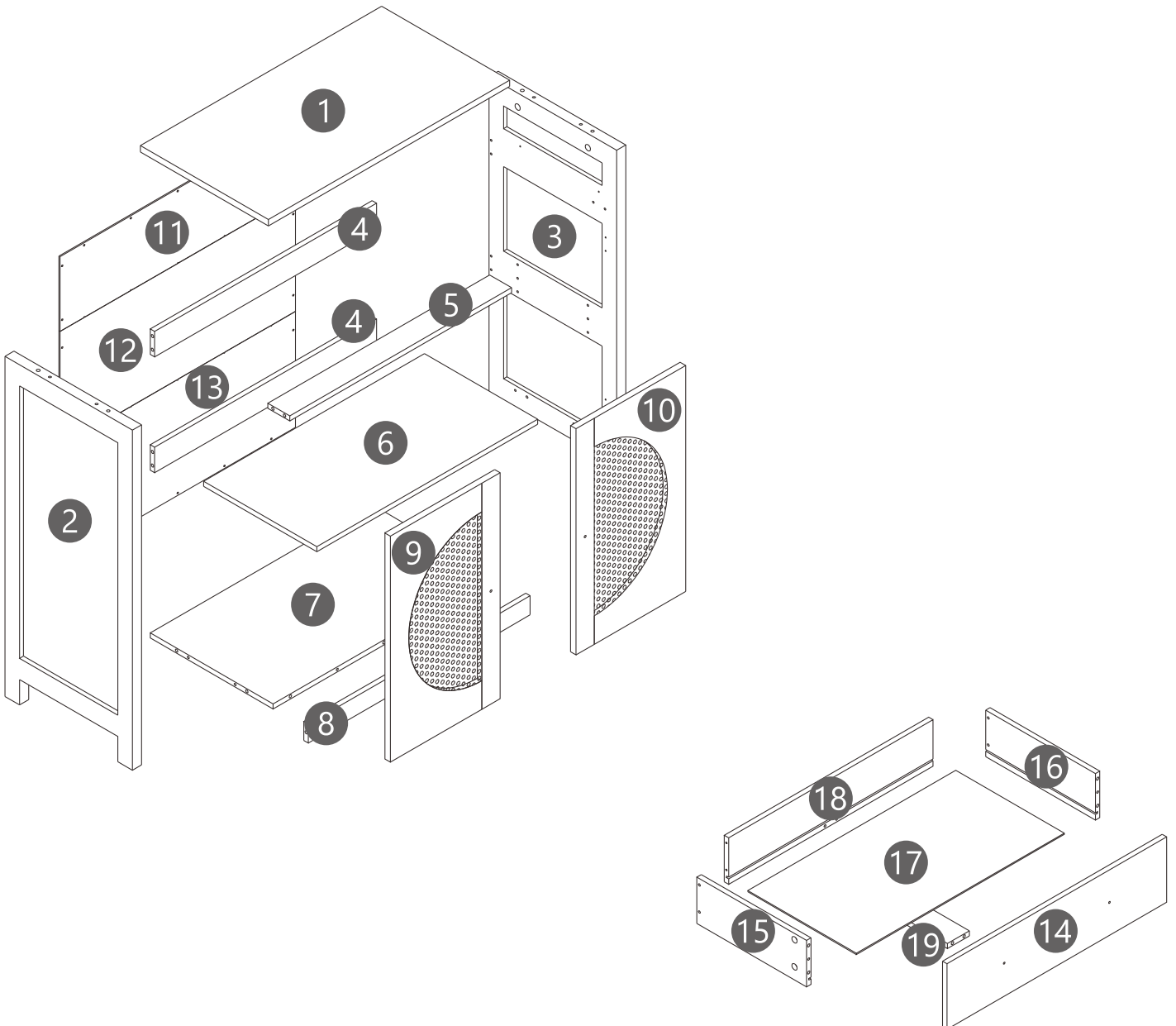
**Children have died from furniture tipover.  
To reduce the risk of furniture tipover:**

- ALWAYS install tip-over restraint provided.
- NEVER open more than one drawer at a time.
- NEVER allow children to stand, climb or hang on drawers, doors, or shelves.
- Place heaviest items in the lowest drawers.
- FOR use with televisions weighing 135 lbs or less.
- Use with heavier televisions may result in instability causing tip-over resulting in death or serious injury.



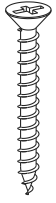
**Use of tip-over restraints may only reduce,  
but not eliminate, the risk of tip-over.**

# ASSEMBLY STRUCTURE REFERENCE DIAGRAM



# PARTS

A



M3.5x35mm  
**X6+1**

B



Ø6x40mm  
**X31+2**

C



Ø15x9.5mm  
**X31+2**

D



Ø6x30mm  
**X12+1**

E



M4x20mm  
**X4+1**

F



M3.5x12mm  
**X52+2**

G



M3.5x12mm  
**X14+1**

H



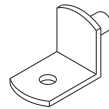
Ø23xL20mm  
**X4**

K



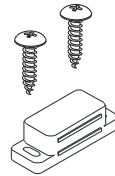
**X2**

L



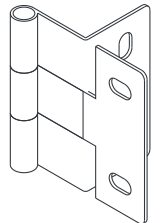
**X4**

M



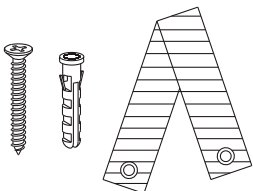
**X1**

N



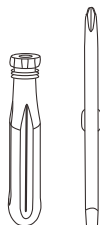
**X4**

O



**X2**

P



**X1**

Q



**CL X1**



**CR X1**



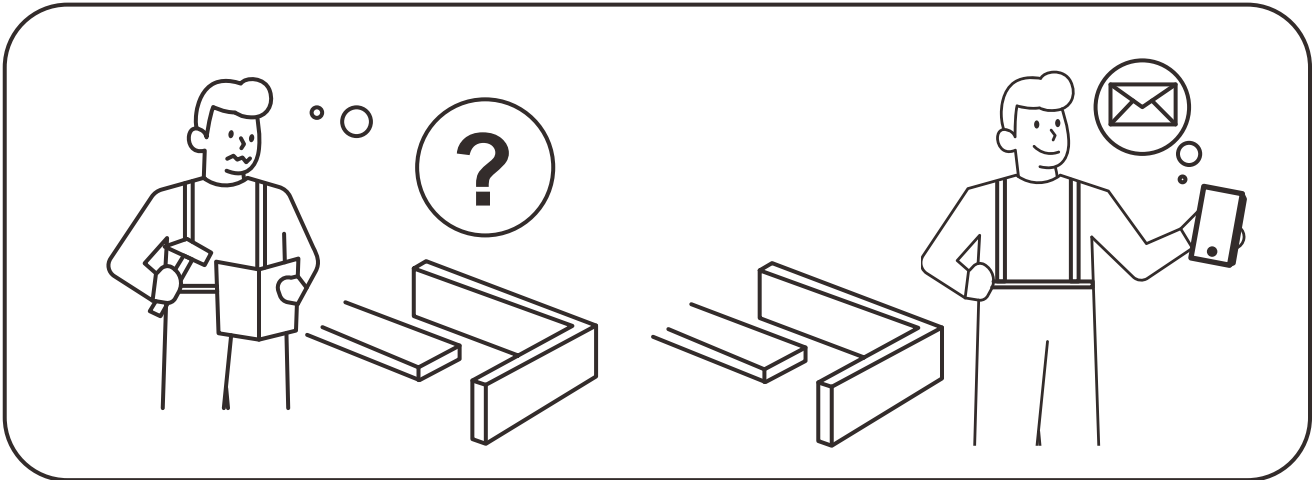
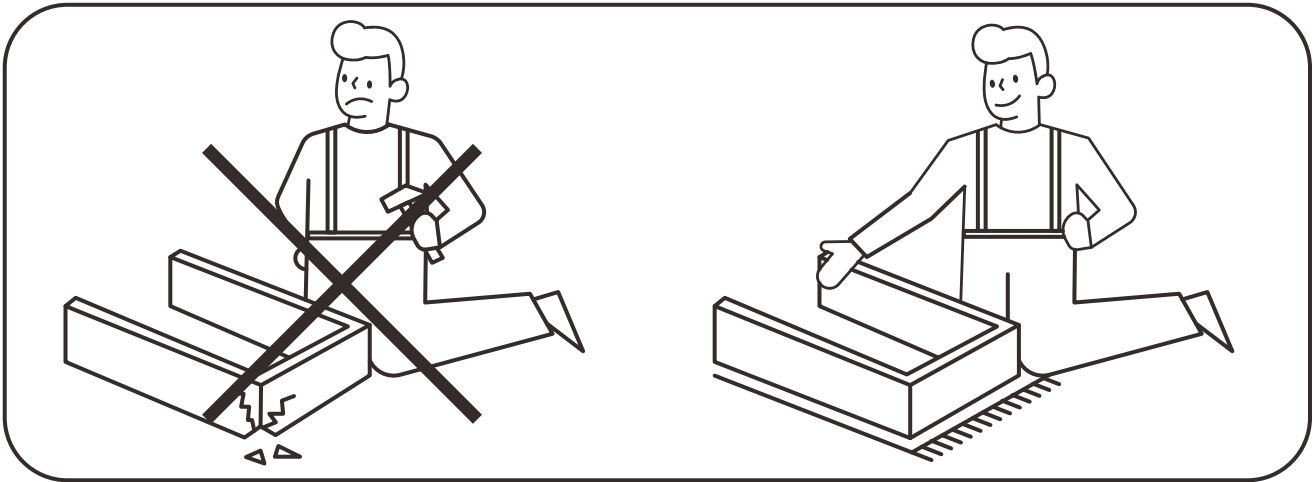
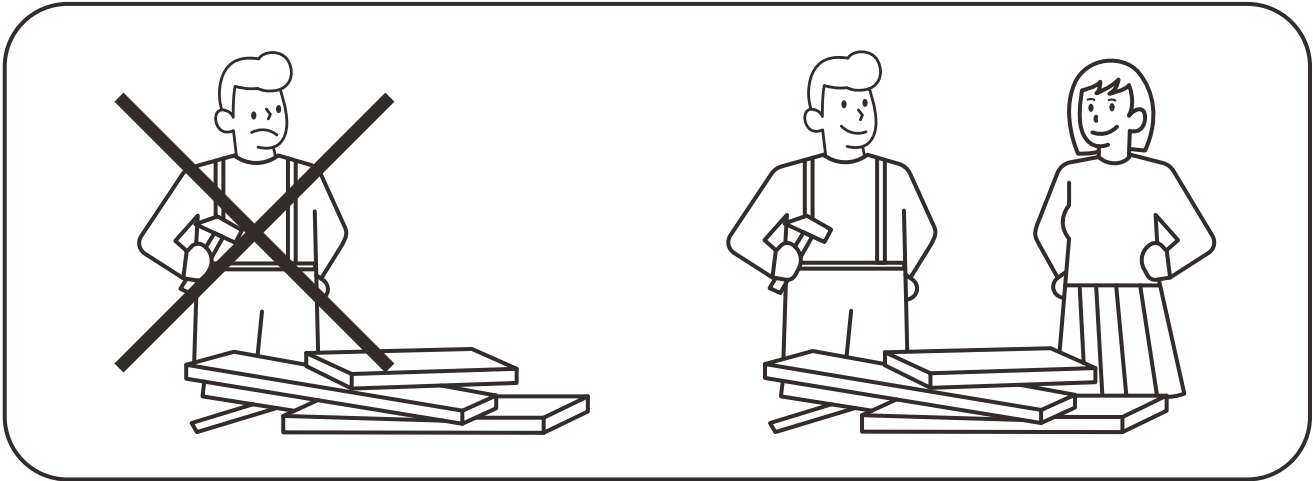
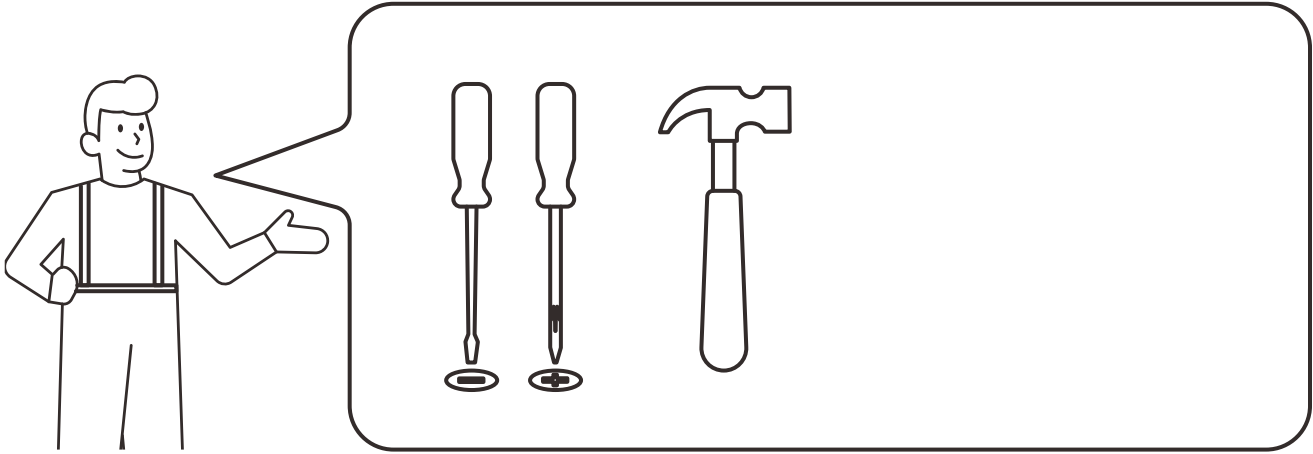
**DL X1**



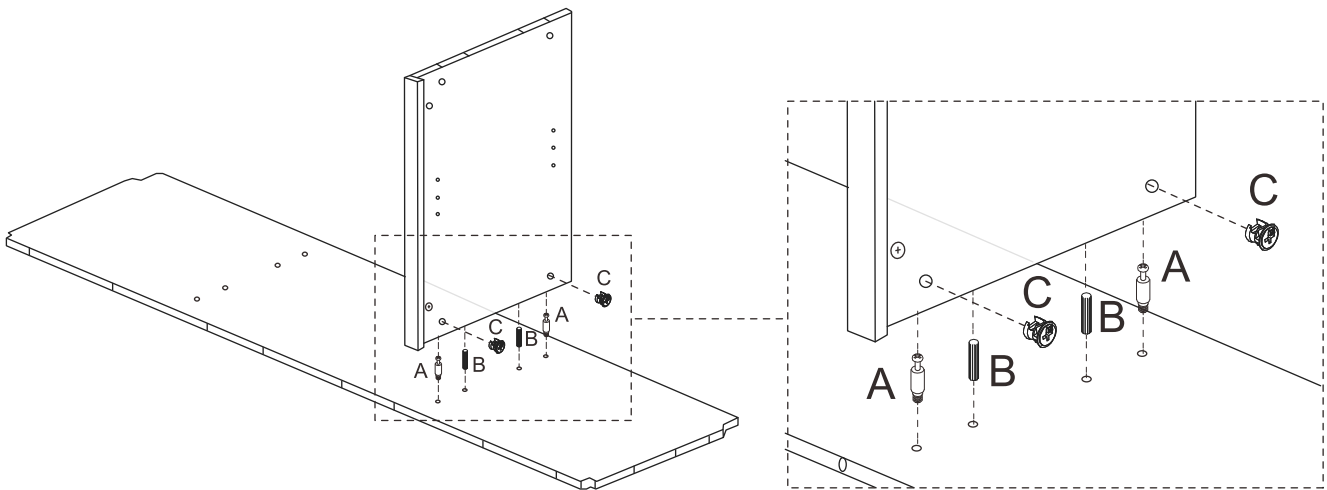
**DR X1**

Attention: there are 4 kinds of slides in our product, in which 2 are **Boards slides**, which marked as **CL & CR** and contains 1 pieces respectively, and the other 2 are the **Drawer slides**, which marked as **DL & DR** and contains 1 pieces respectively.

The hardware quantities listed above are required for proper assembly.  
Some extra hardware may also have been included.

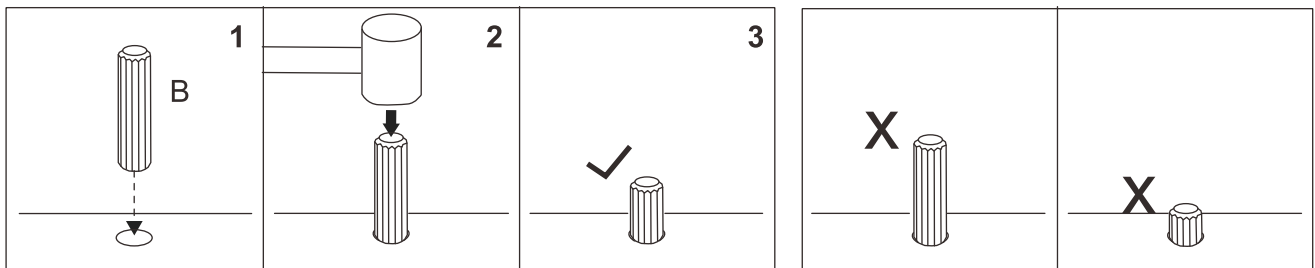


## How to work the Knock Down (kd) assembly system

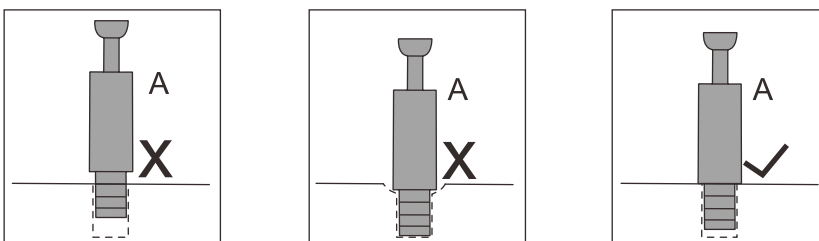


## How to install Wood Dowel

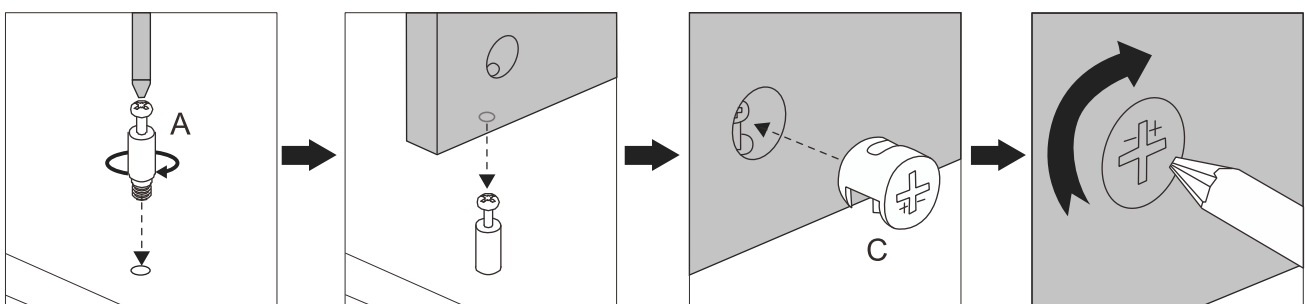
Insert the wood dowel [B] at least half way by tapping lightly with a rubber mallet, IF NECESSARY.



## How to use the Cam Lock system

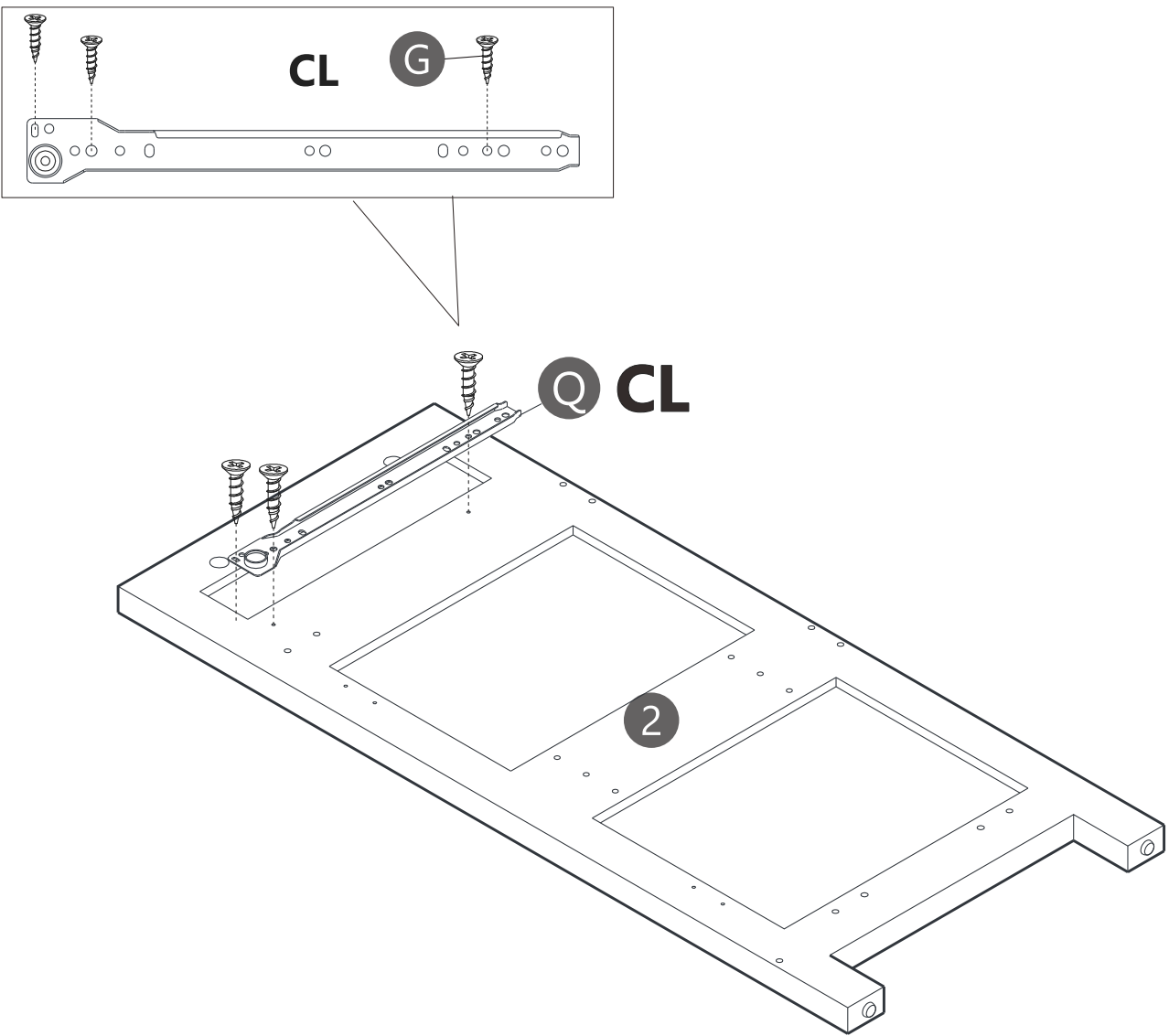




1. Screw the cam bolt [A] into the threaded insert on the panel.
2. Connect both panels together making sure cam bolt [A] goes into the pre-drilled large hole on the end of panel for cam lock [C].
3. Insert the cam lock [C] into the pre-drilled large hole on the panel. **Make sure the cross slot of cam lock [C] faces out.**
4. Rotate the cam lock [C] **clockwise** with a self-supplied philips screwdriver to lock the cam bolt [A] in place.



# Step 1

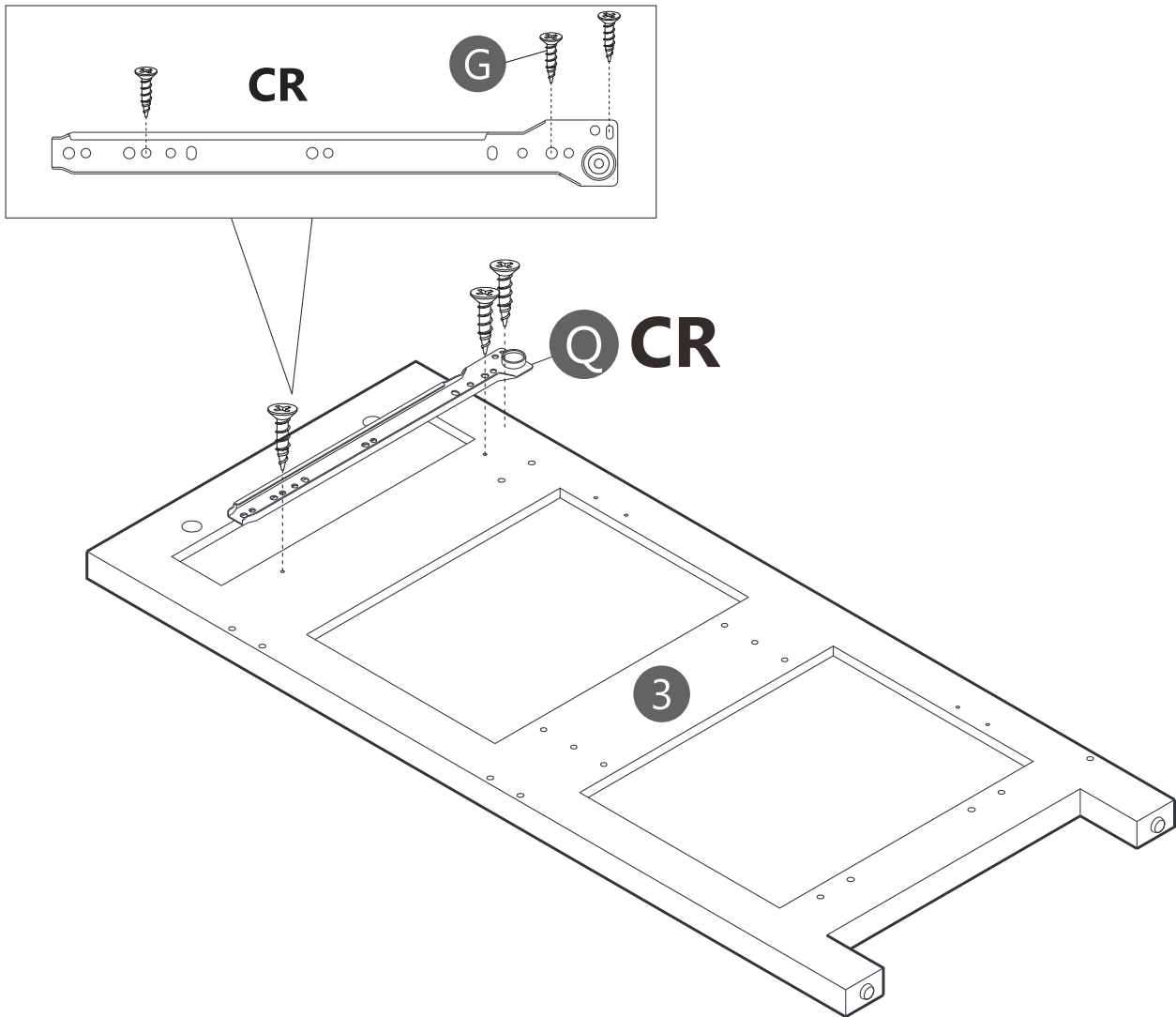
Using Screws (G) to assemble Slide (CL) to Board (2).



<b>G</b>		x3
<b>Q</b>	 CL	x1

# Step 2

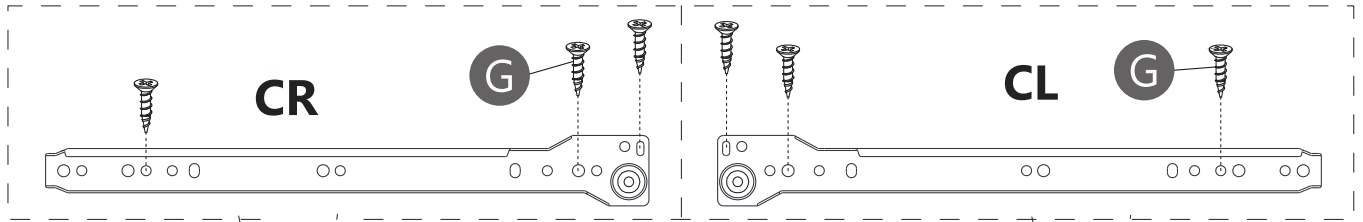
Using Screws (G) to assemble Slide (CR) to Board (3).



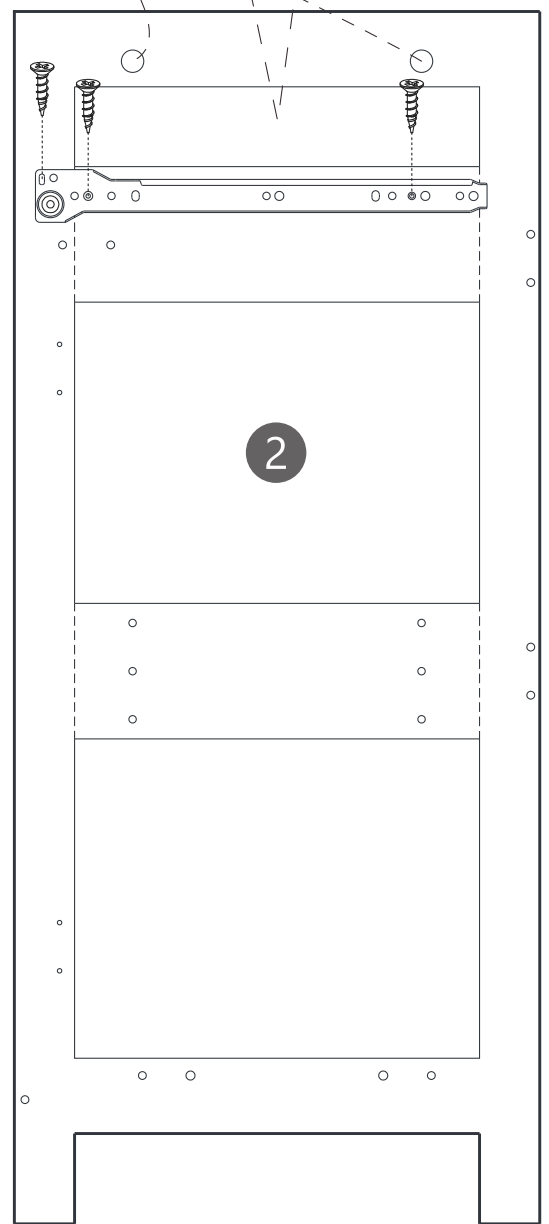
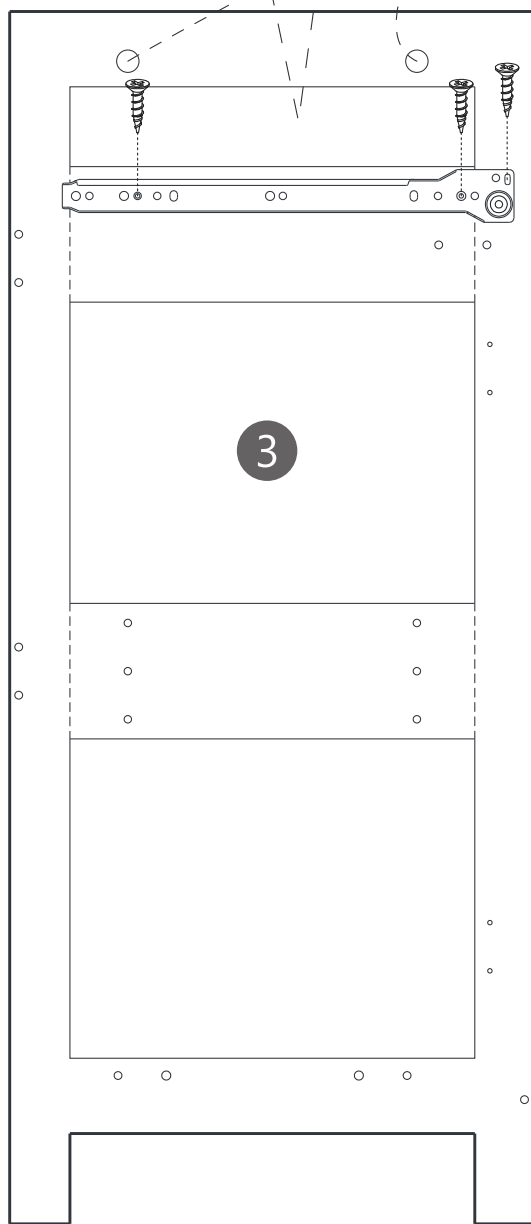
<b>G</b>		x3
<b>Q</b>		x1

# Display. Non-installation steps

Reference to the completion of the installation:  
checking the position of the slides and screws in the board.



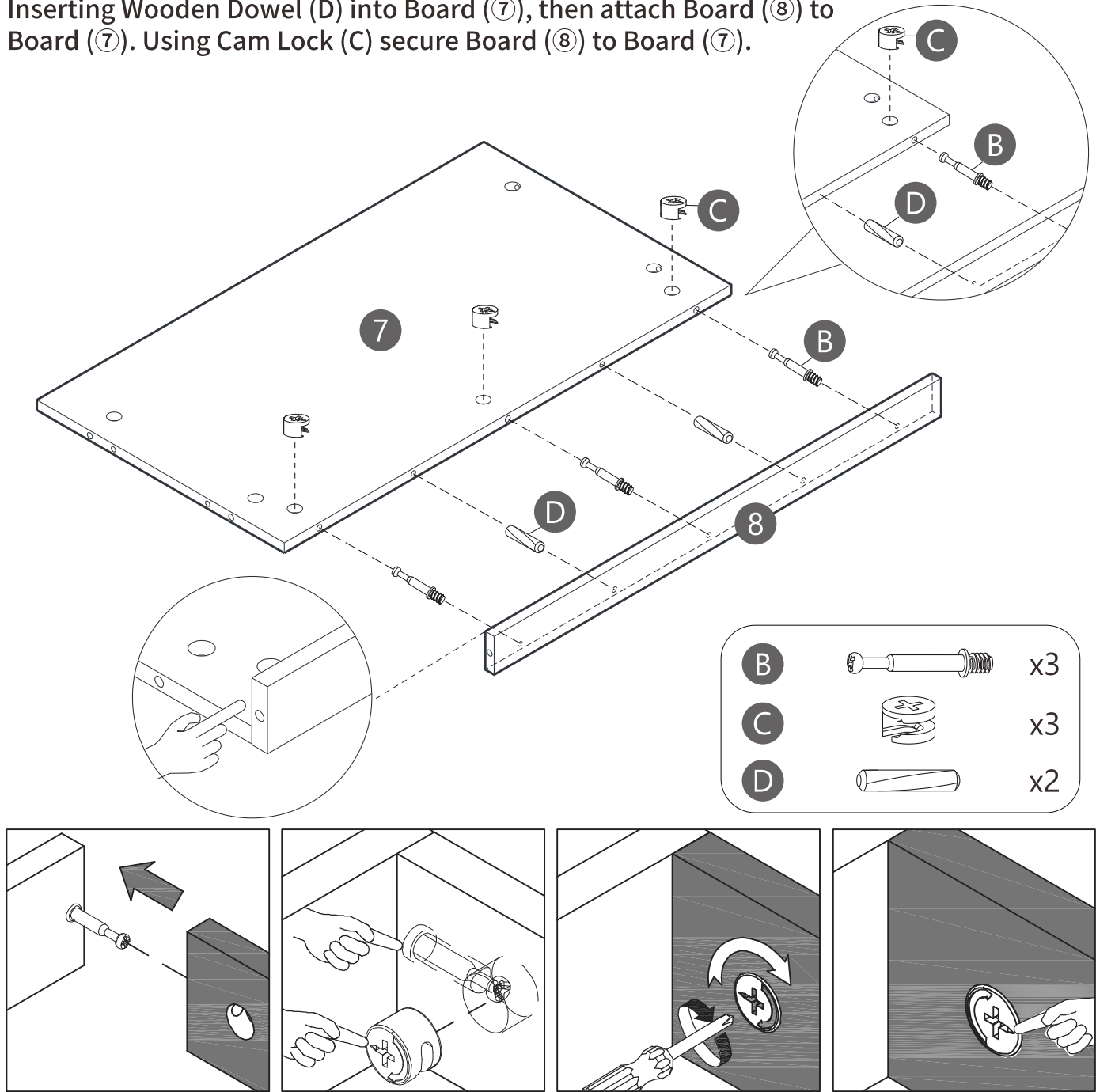
Please make sure the pre-drilled  
holes are on the top.



**TIP:** The screws for the slide must be tightened very tightly, and don't tilt the screws, otherwise the drawers will get stuck and won't fit in.

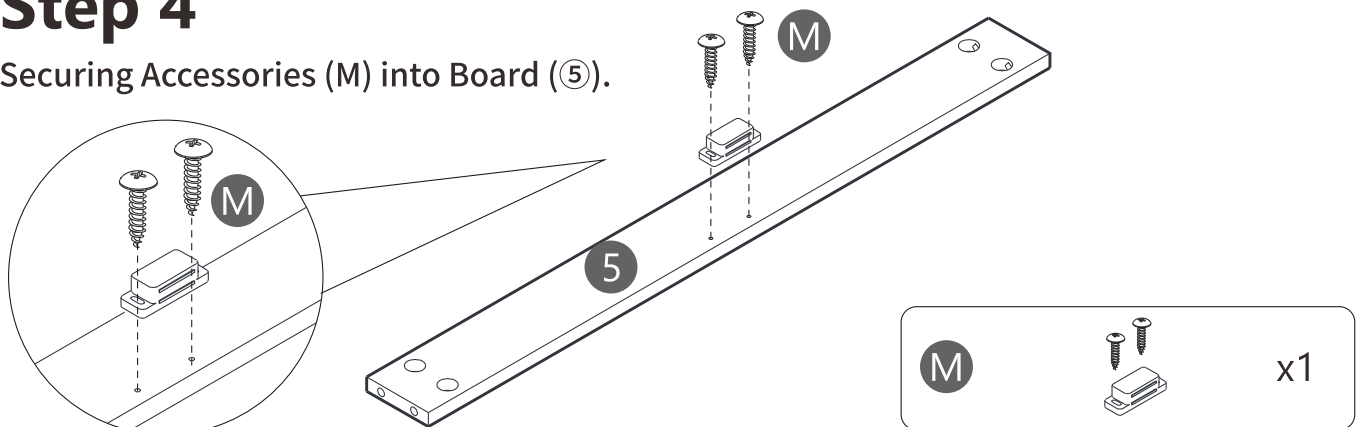
# Step 3

Securing Cam Bolt (B) into Board (8).  
Inserting Wooden Dowel (D) into Board (7), then attach Board (8) to Board (7). Using Cam Lock (C) secure Board (8) to Board (7).



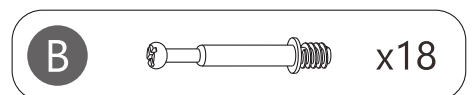
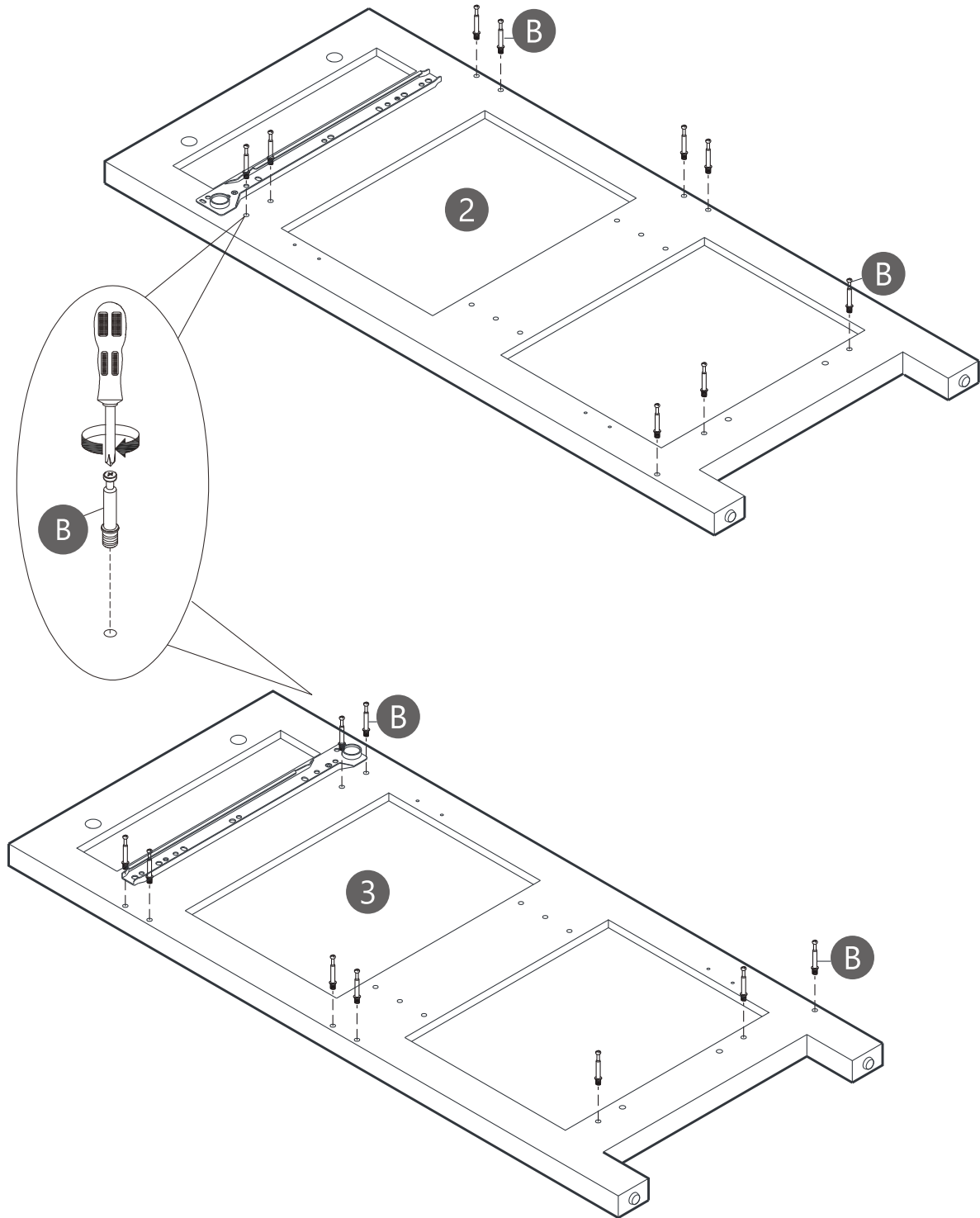
# Step 4

Securing Accessories (M) into Board (5).



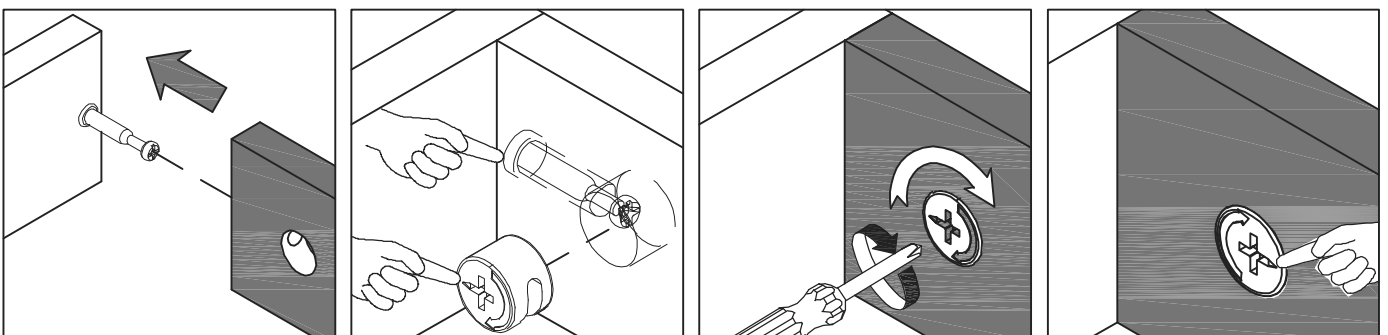
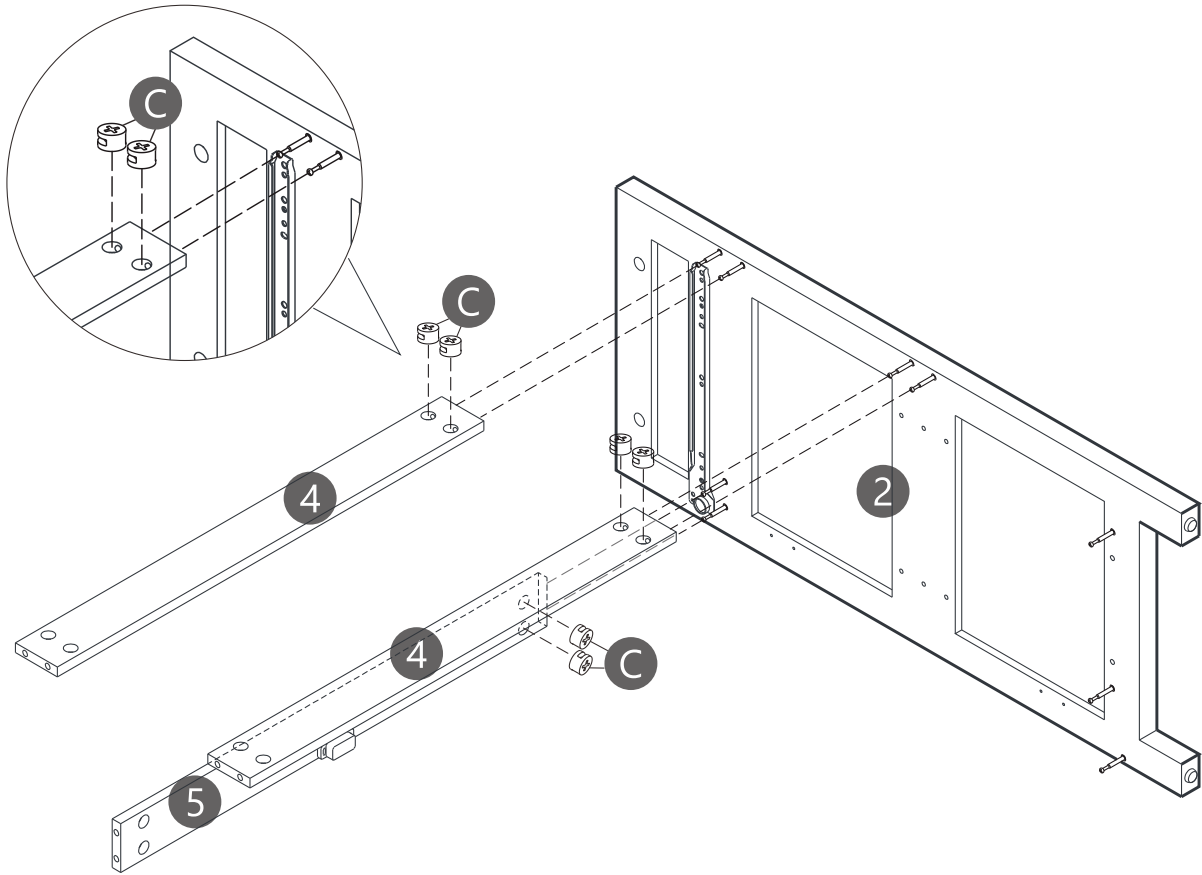
# Step 5

Securing Cam Bolt (B) into Board (②&③).



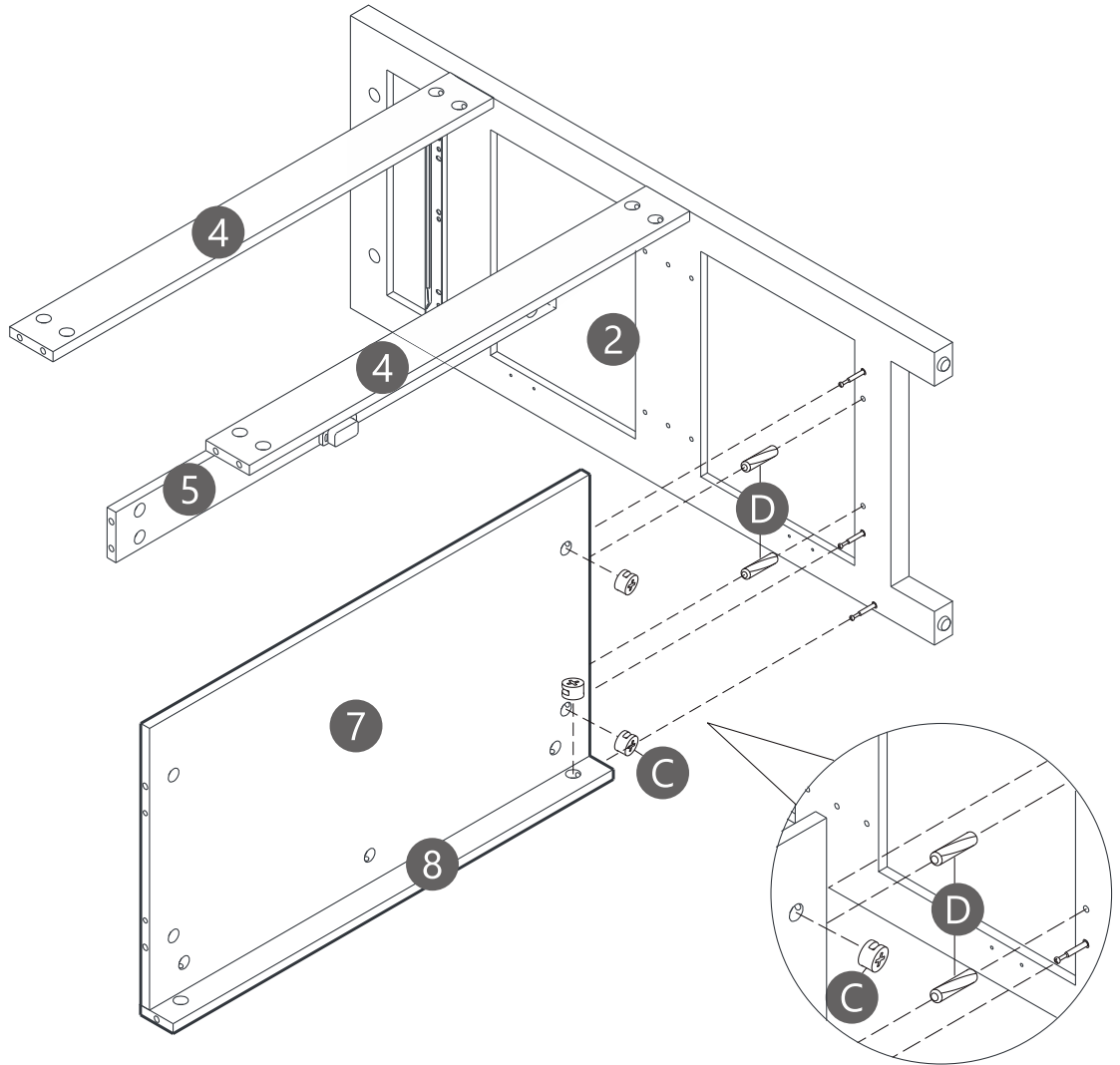
# Step 6

Attach Board (④&⑤) to Board (②). Using Cam Lock (C) secure Board (④&⑤) to Board (②).

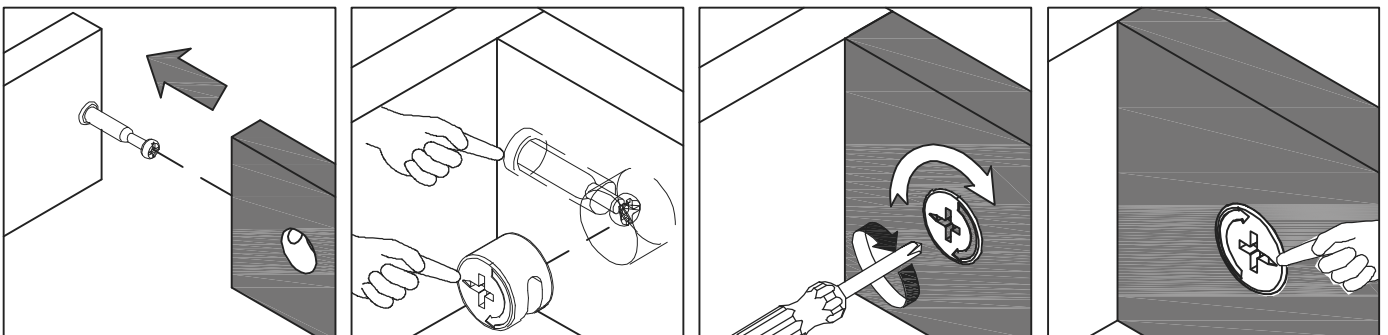


# Step 7

Inserting Wooden Dowel (D) into Board (2), then attach Board (7&8) to Board (2). Using Cam Lock (C) secure Board (7&8) to Board (2).

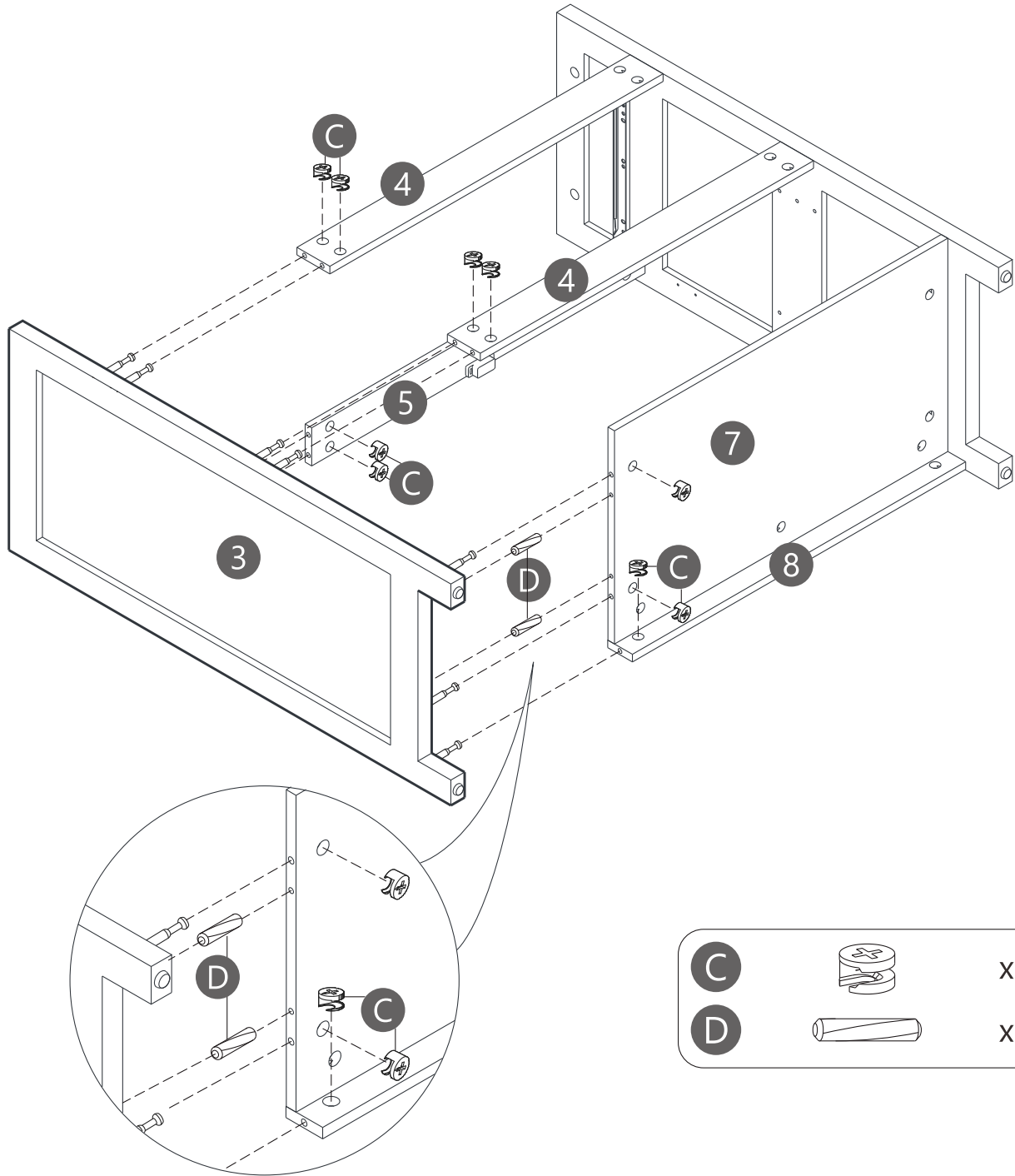


- |          |  |    |
|----------|--|----|
| <b>C</b> |  | x3 |
| <b>D</b> |  | x2 |

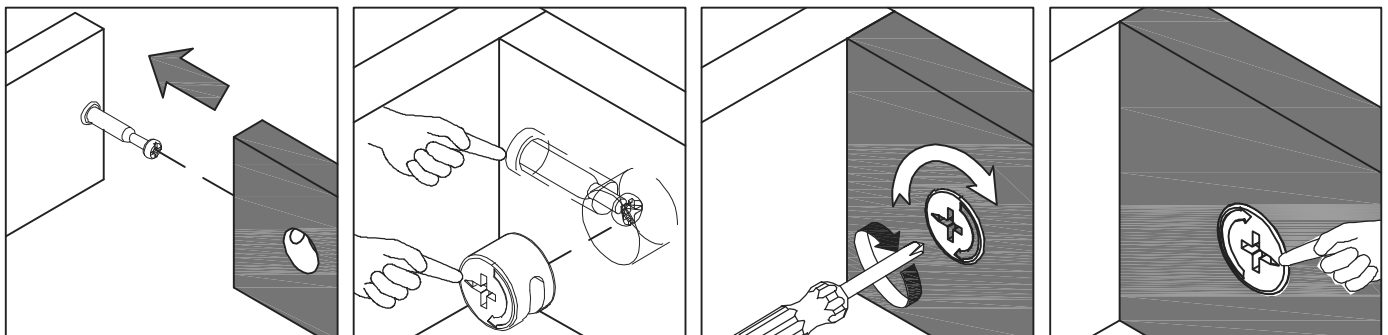


# Step 8

Inserting Wooden Dowel (D) into Board (3), then attach Board (4 & 5 & 7 & 8) to Board (3). Using Cam Lock (C) secure Board (4 & 5 & 7 & 8) to Board (3).

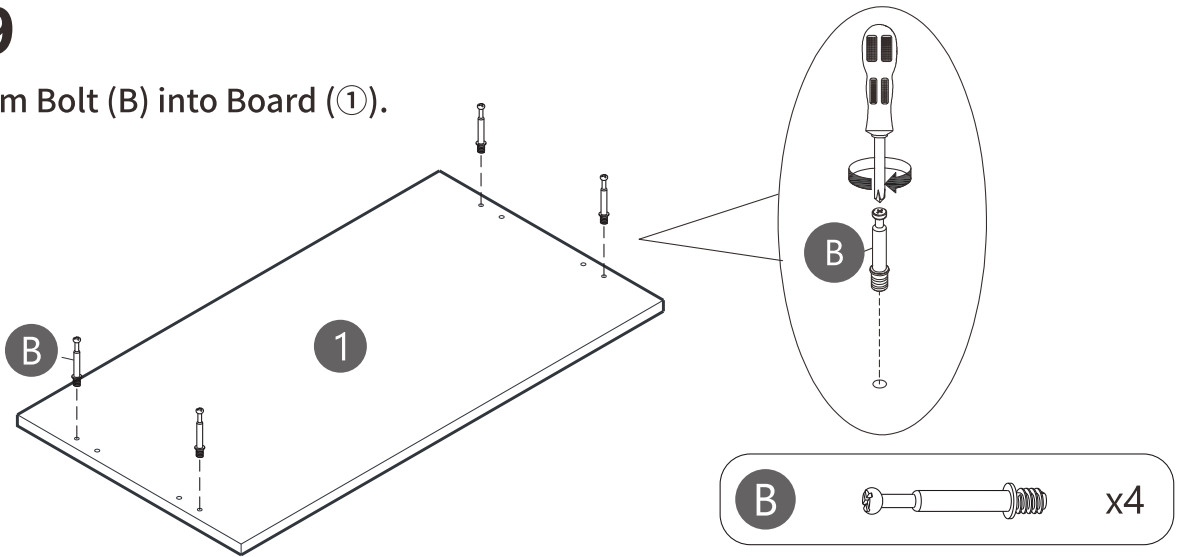


- |   |  |    |
|---|--|----|
| C |  | x9 |
| D |  | x2 |



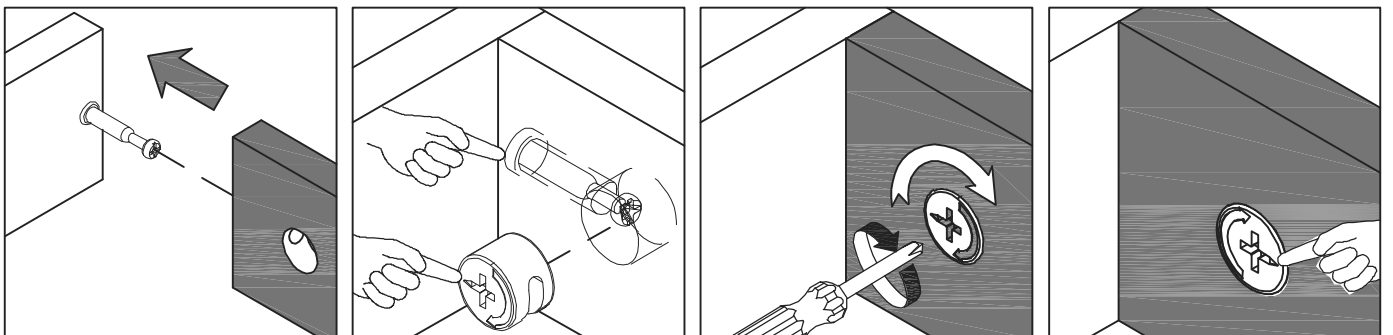
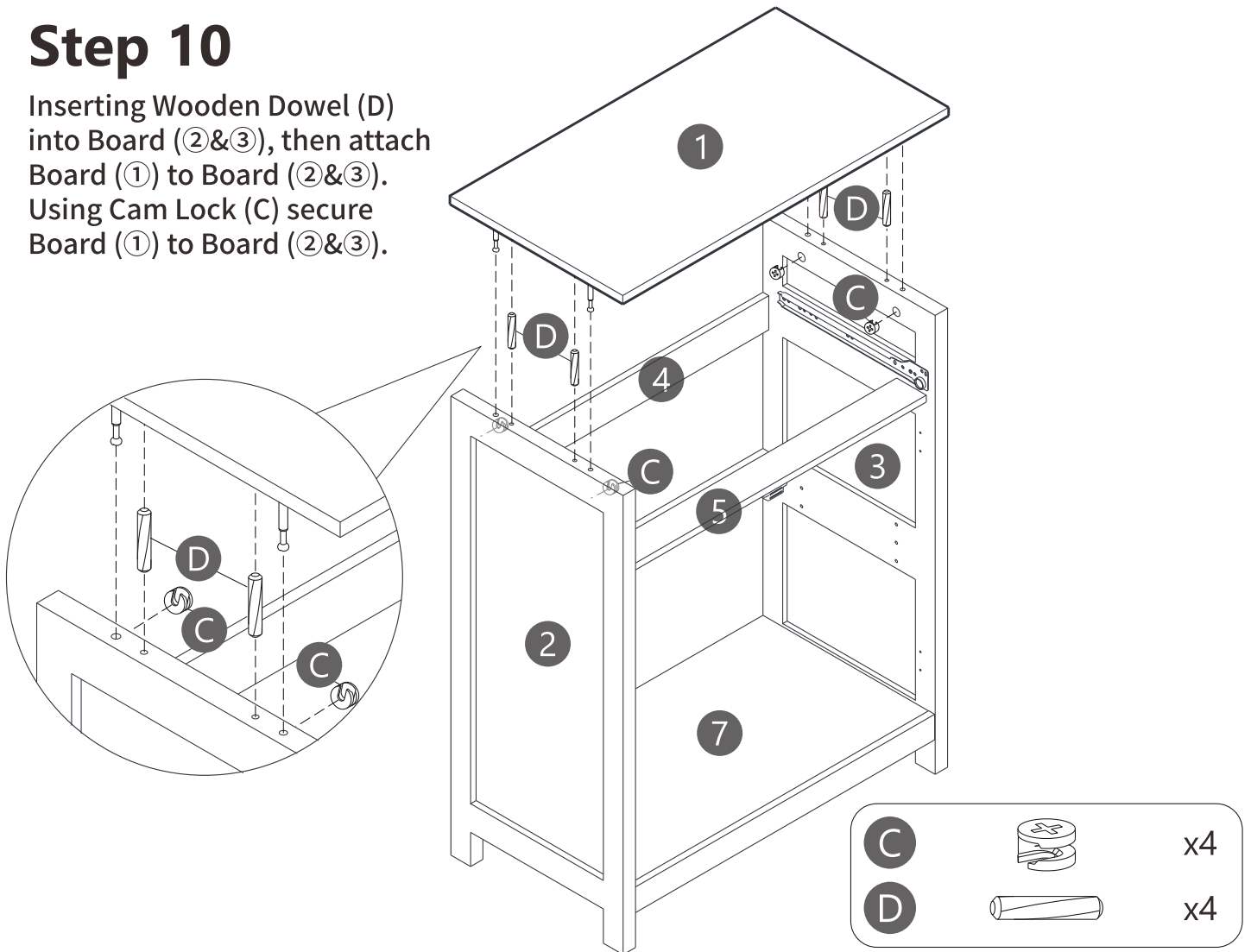
# Step 9

Securing Cam Bolt (B) into Board (1).



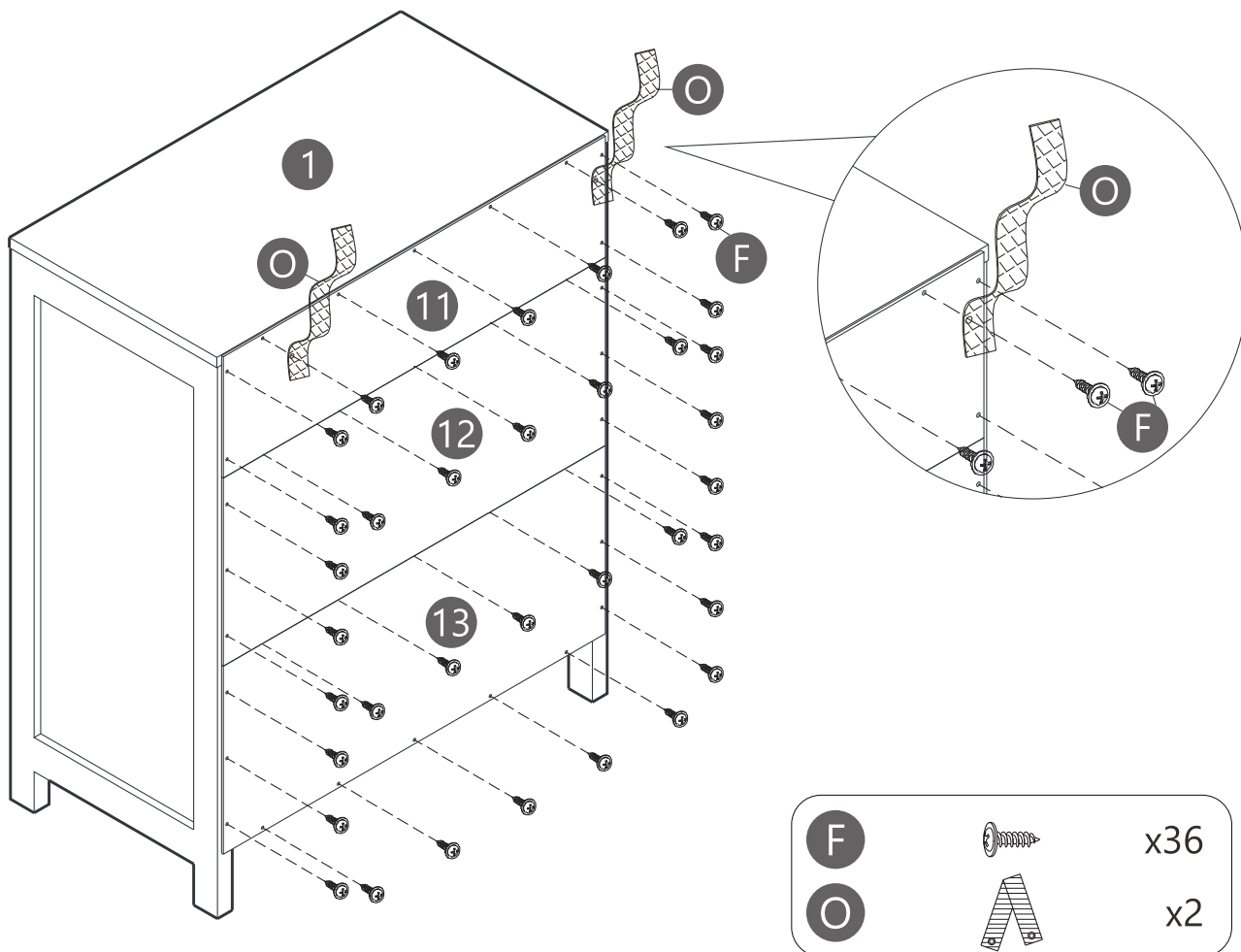
# Step 10

Inserting Wooden Dowel (D) into Board (2&3), then attach Board (1) to Board (2&3). Using Cam Lock (C) secure Board (1) to Board (2&3).



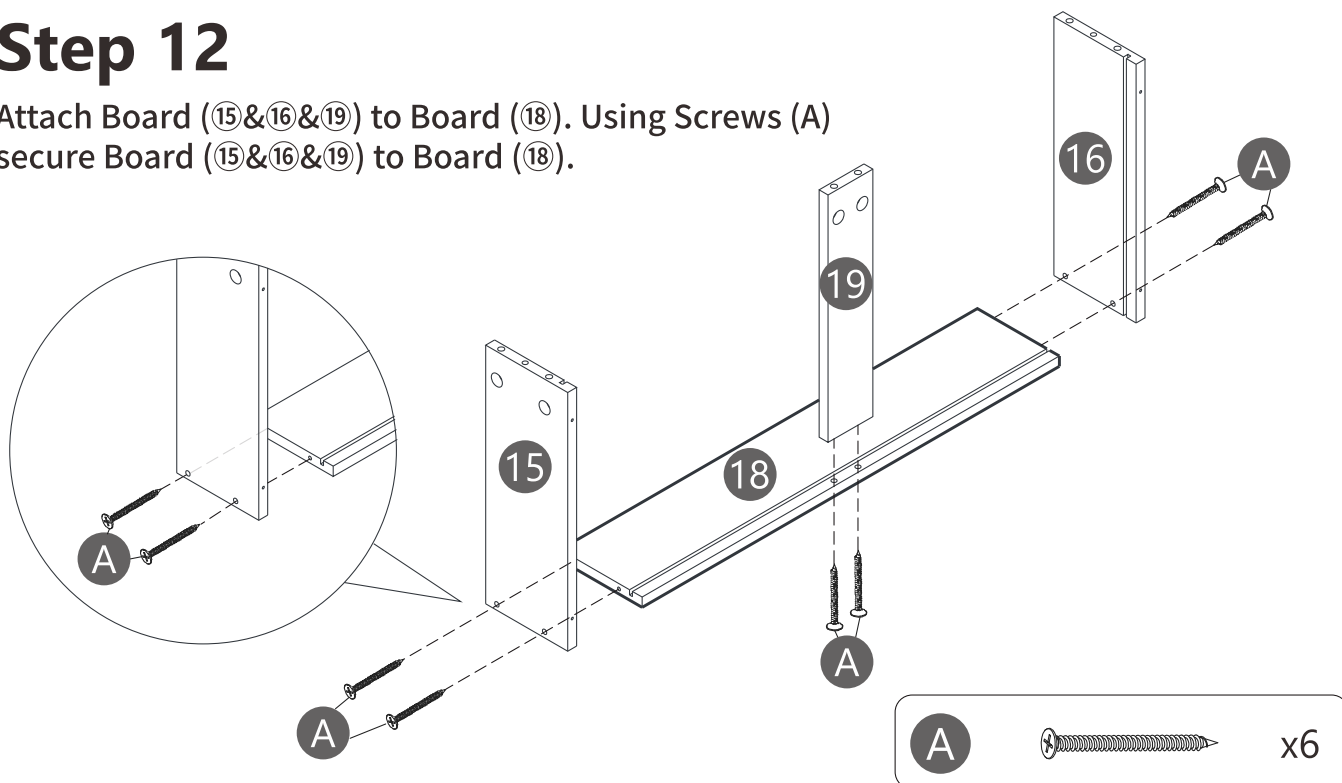
# Step 11

Using Screws (F) through Anti-tipping Belt (O) to assemble Back Panels (11&12&13) to the main body.



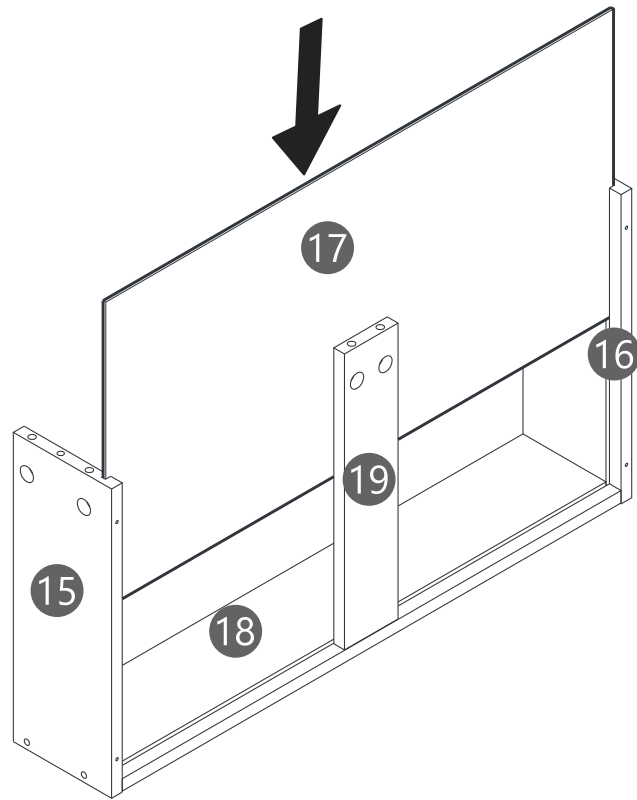
# Step 12

Attach Board (15&16&19) to Board (18). Using Screws (A) secure Board (15&16&19) to Board (18).



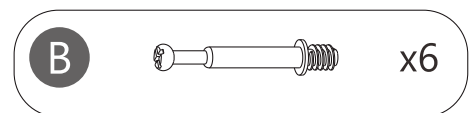
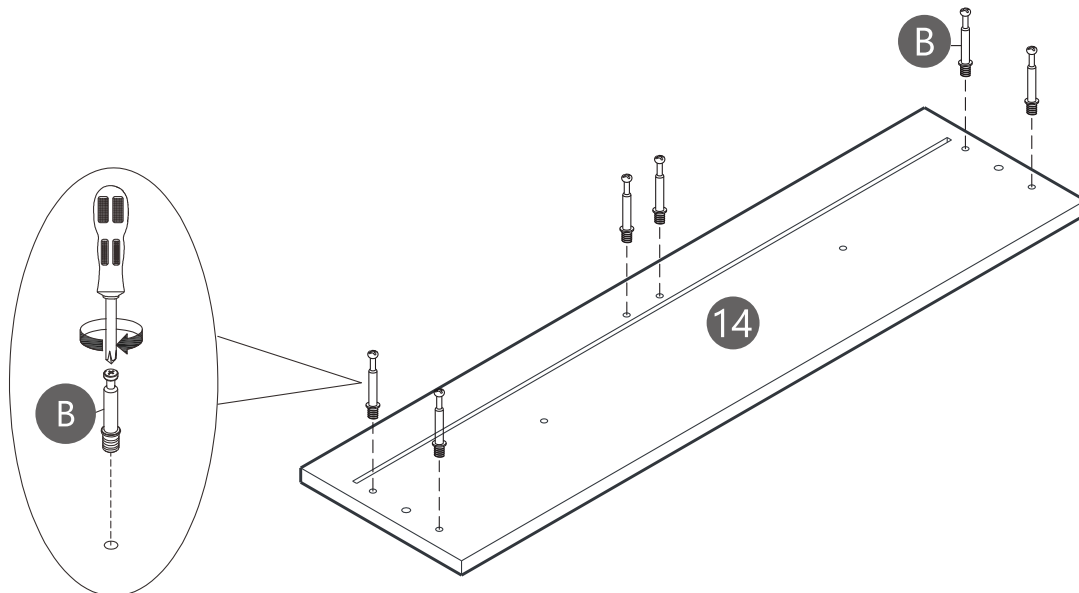
# Step 13

Sliding drawer bottom panels (17) into grooves.



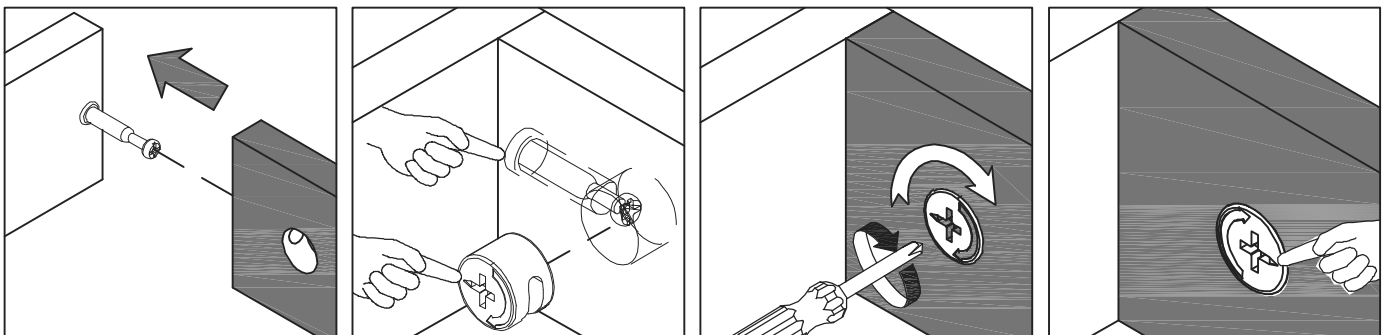
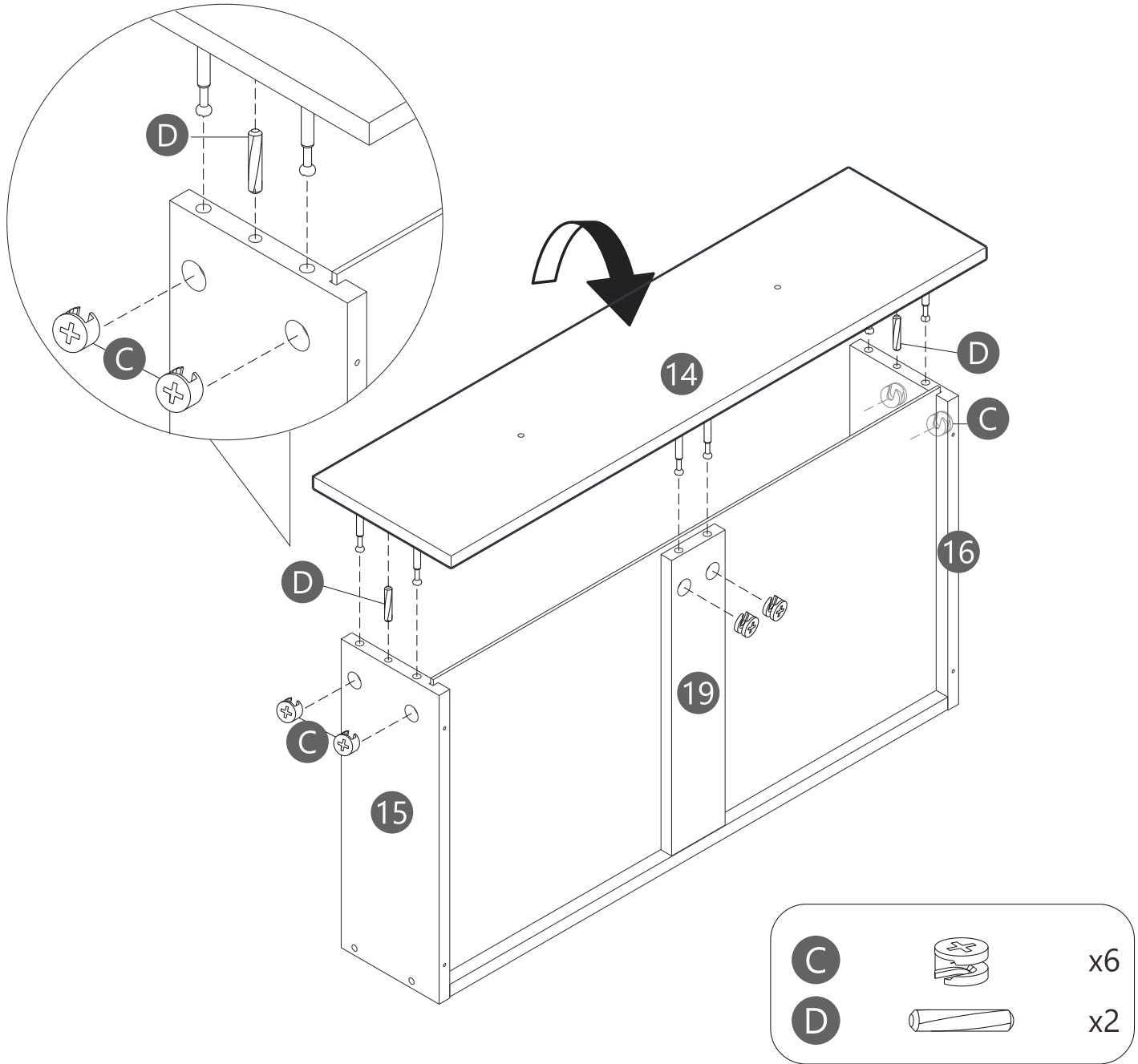
# Step 14

Securing Cam Bolt (B) into Board (14).



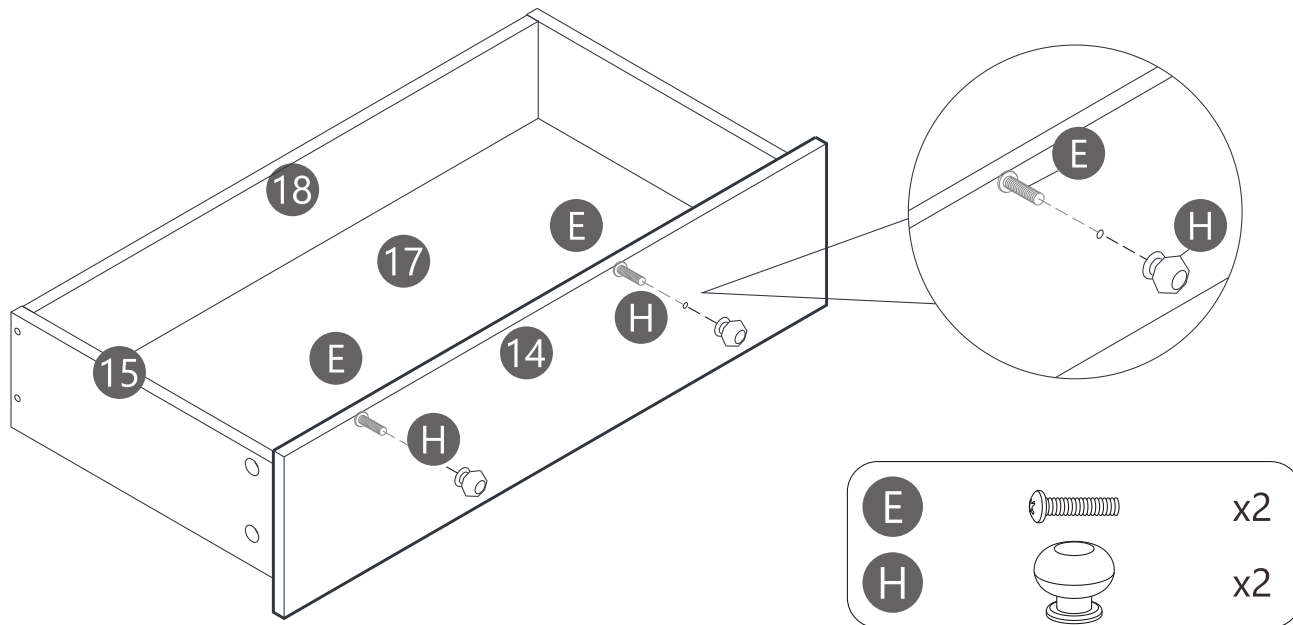
# Step 15

Inserting Wooden Dowel (D) into Board (15&16), then attach Board (14) to Board (15&16&19). Using Cam Lock (C) secure Board (14) to Board (15&16&19).



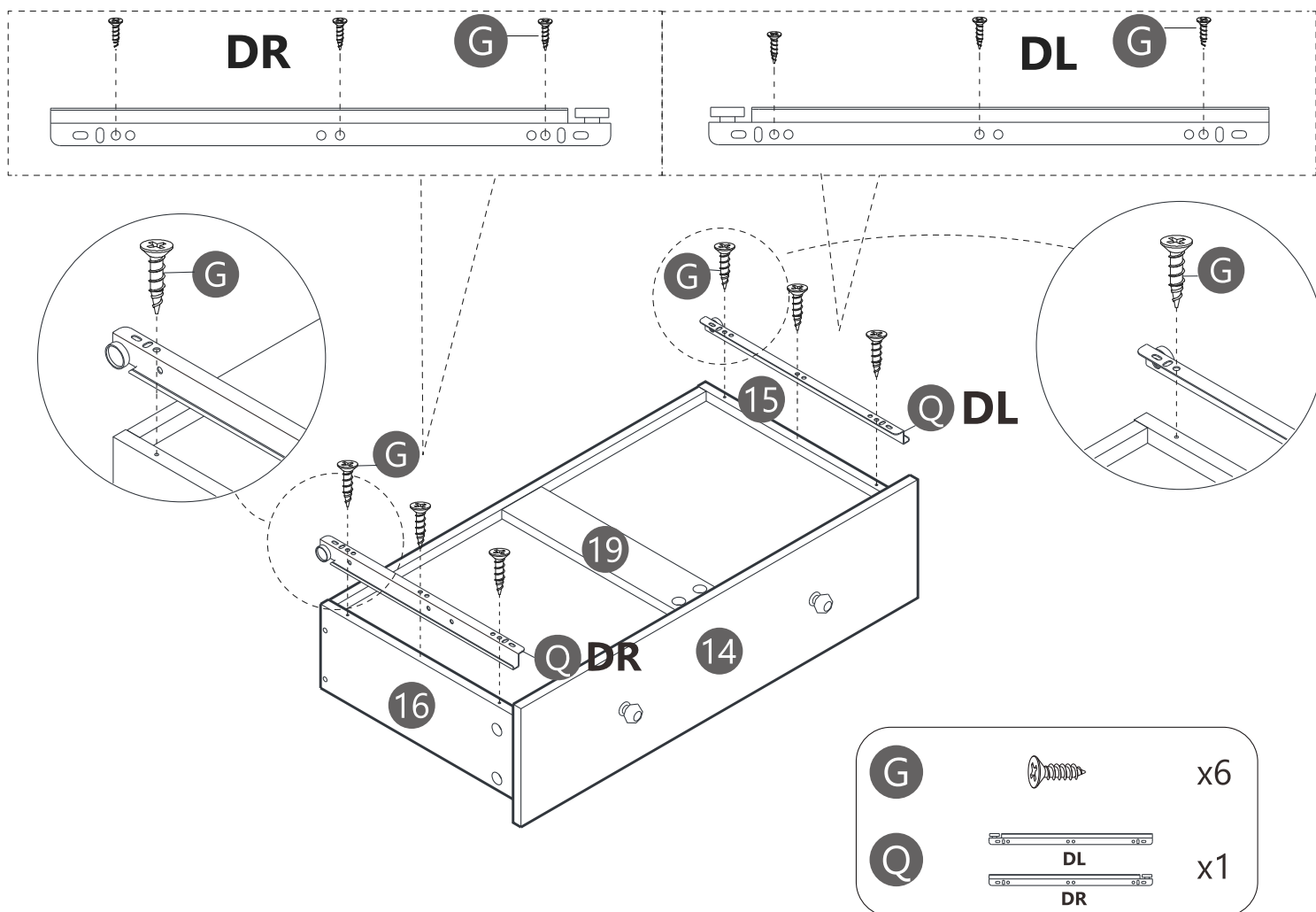
# Step 16

Using Screws (E) to assemble Handle (H) to the Board (14).



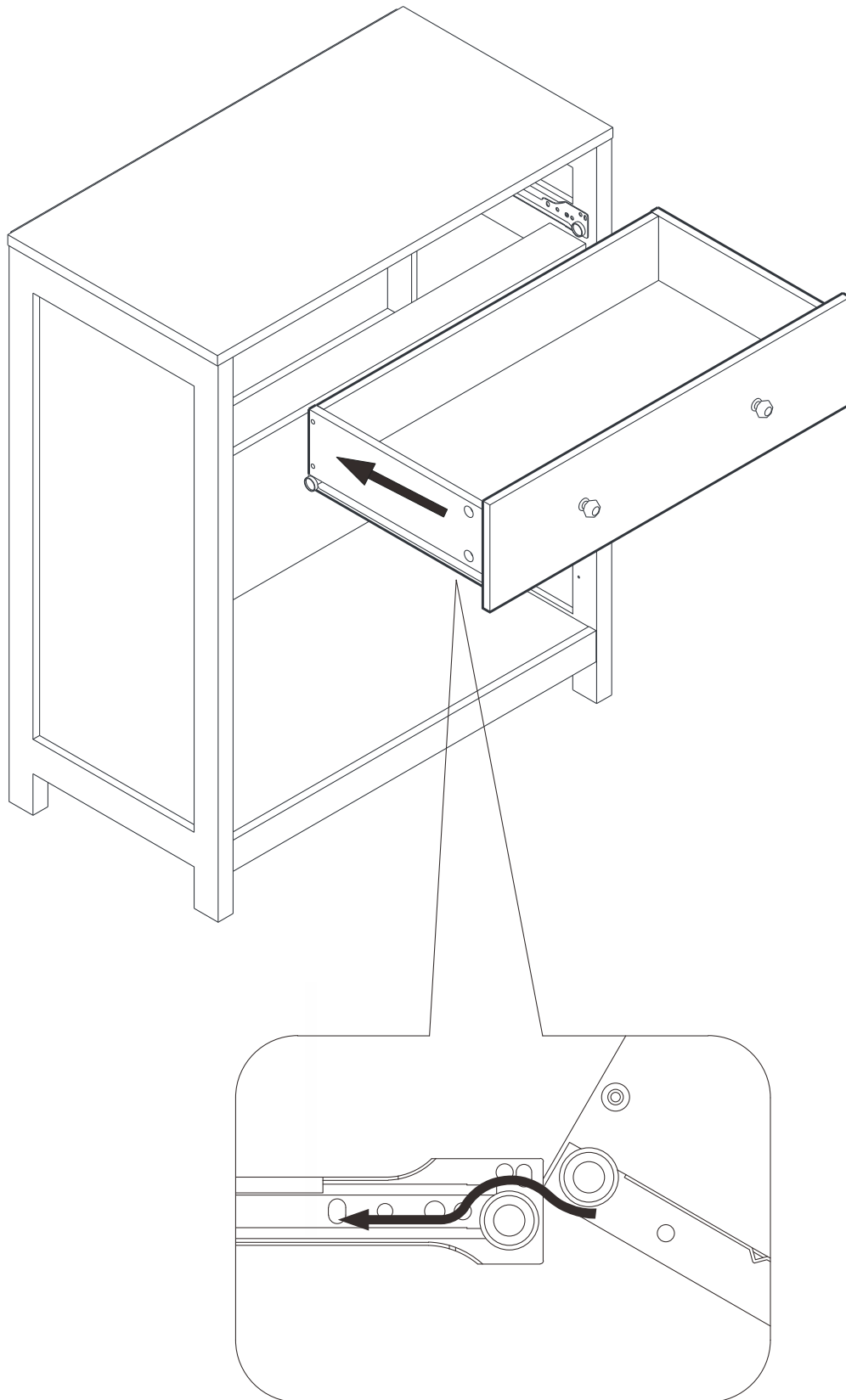
# Step 17

Using Screws (G) to assemble Slide (DR) to Board (16).  
Using Screws (G) to assemble Slide (DL) to Board (15).



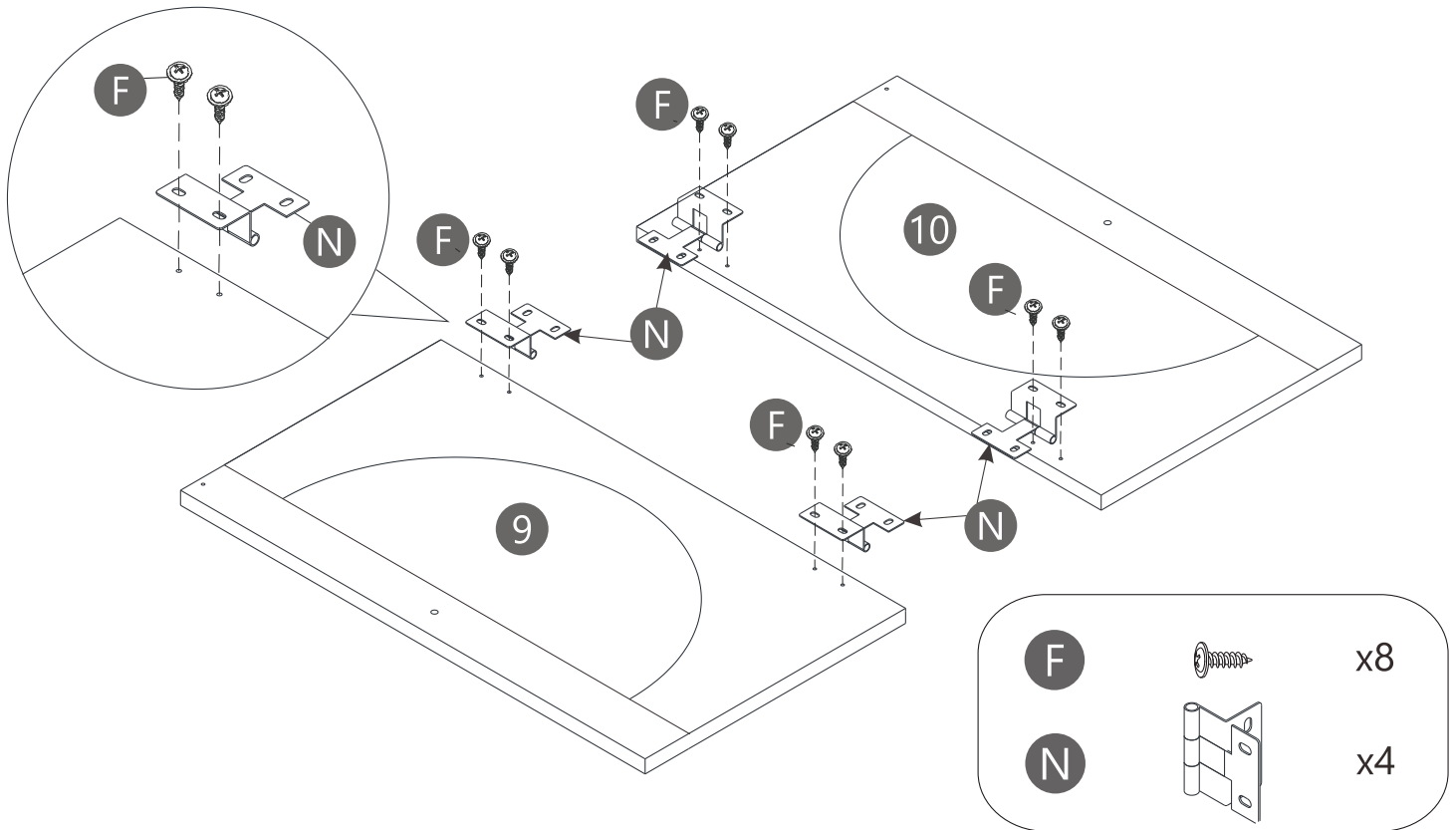
# Step 18

When you put the drawer, please note that the drawer wheels on top of the wheels of the slide, then check whether the drawer is smooth when pulled out.



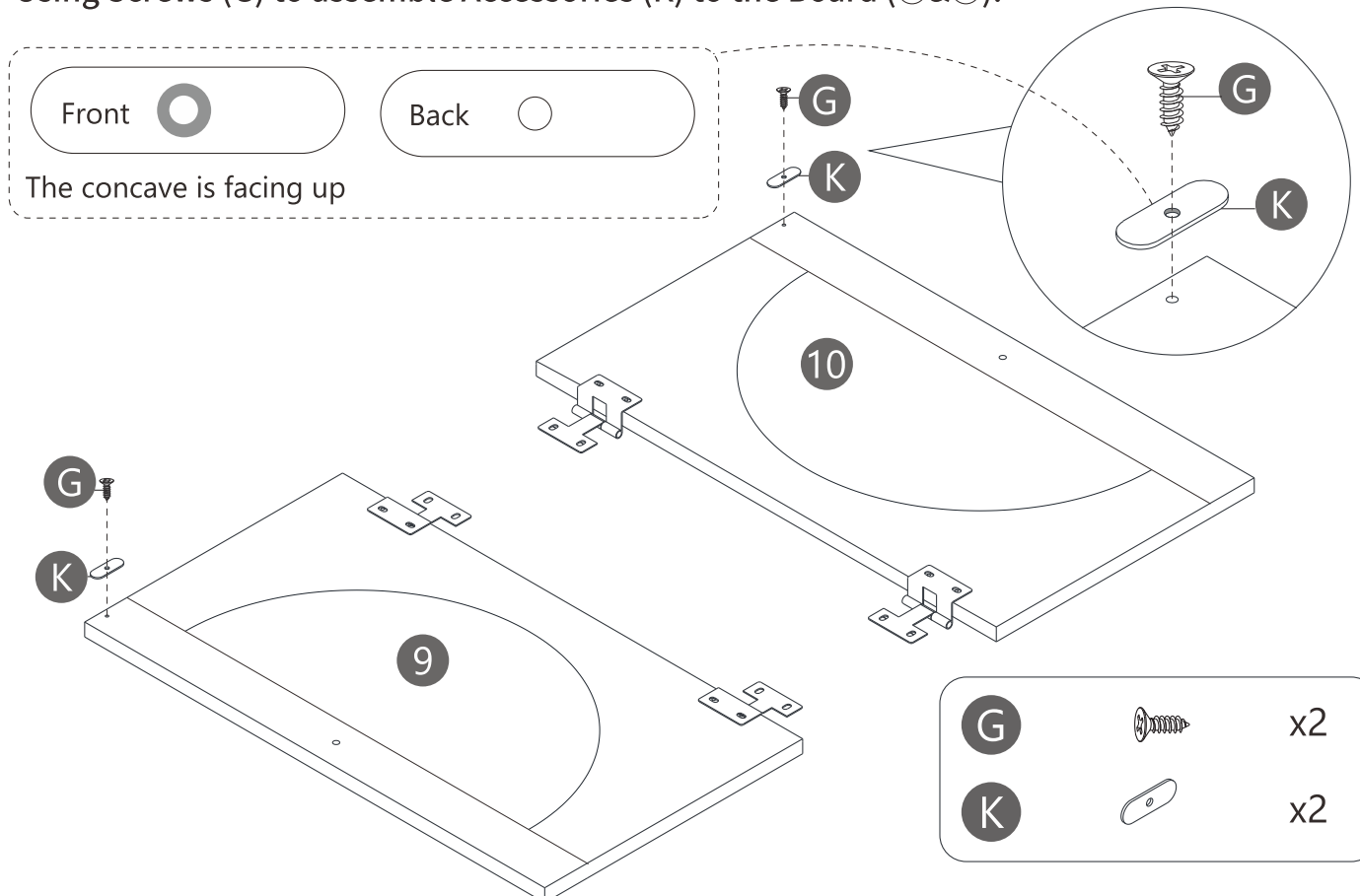
# Step 19

Using Screws (F) to assemble Hinges (N) to the Board (9&10).



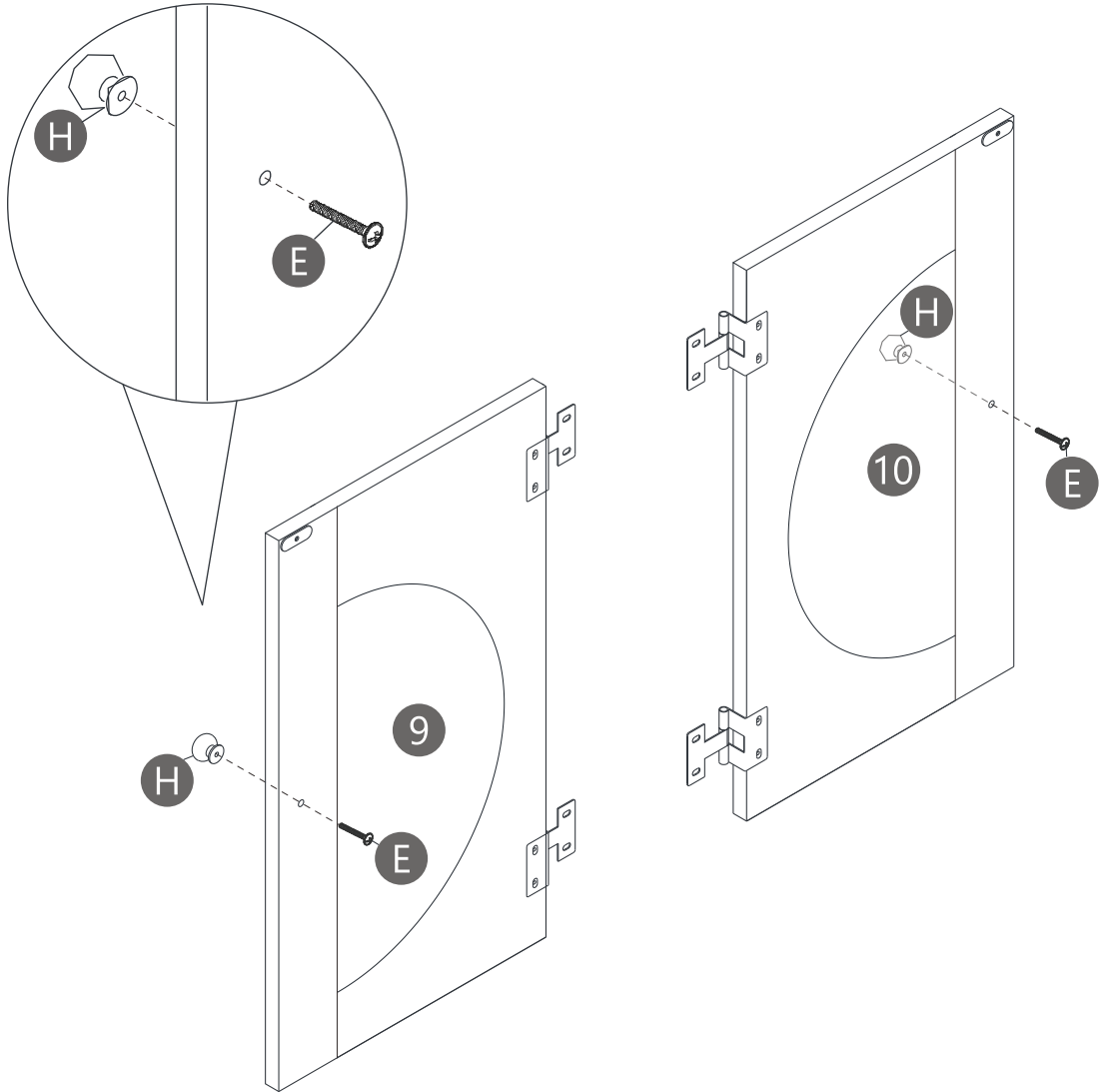
# Step 20



Using Screws (G) to assemble Accessories (K) to the Board (9&10).



# Step 21

Using Screws (E) to assemble Handle (H) to the Board (9&10).



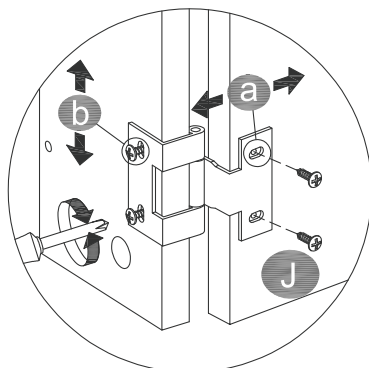
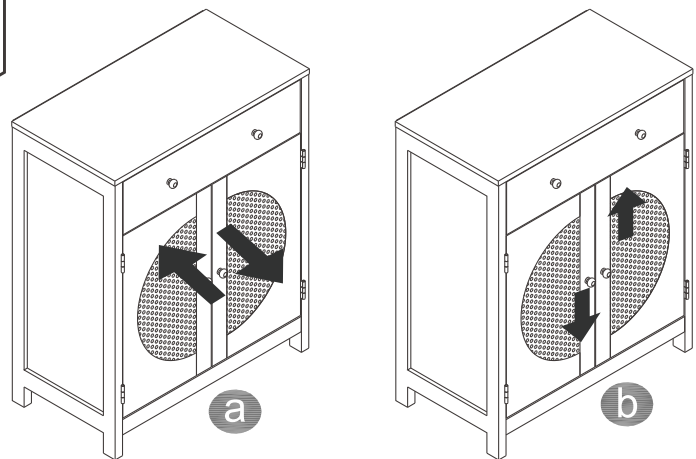
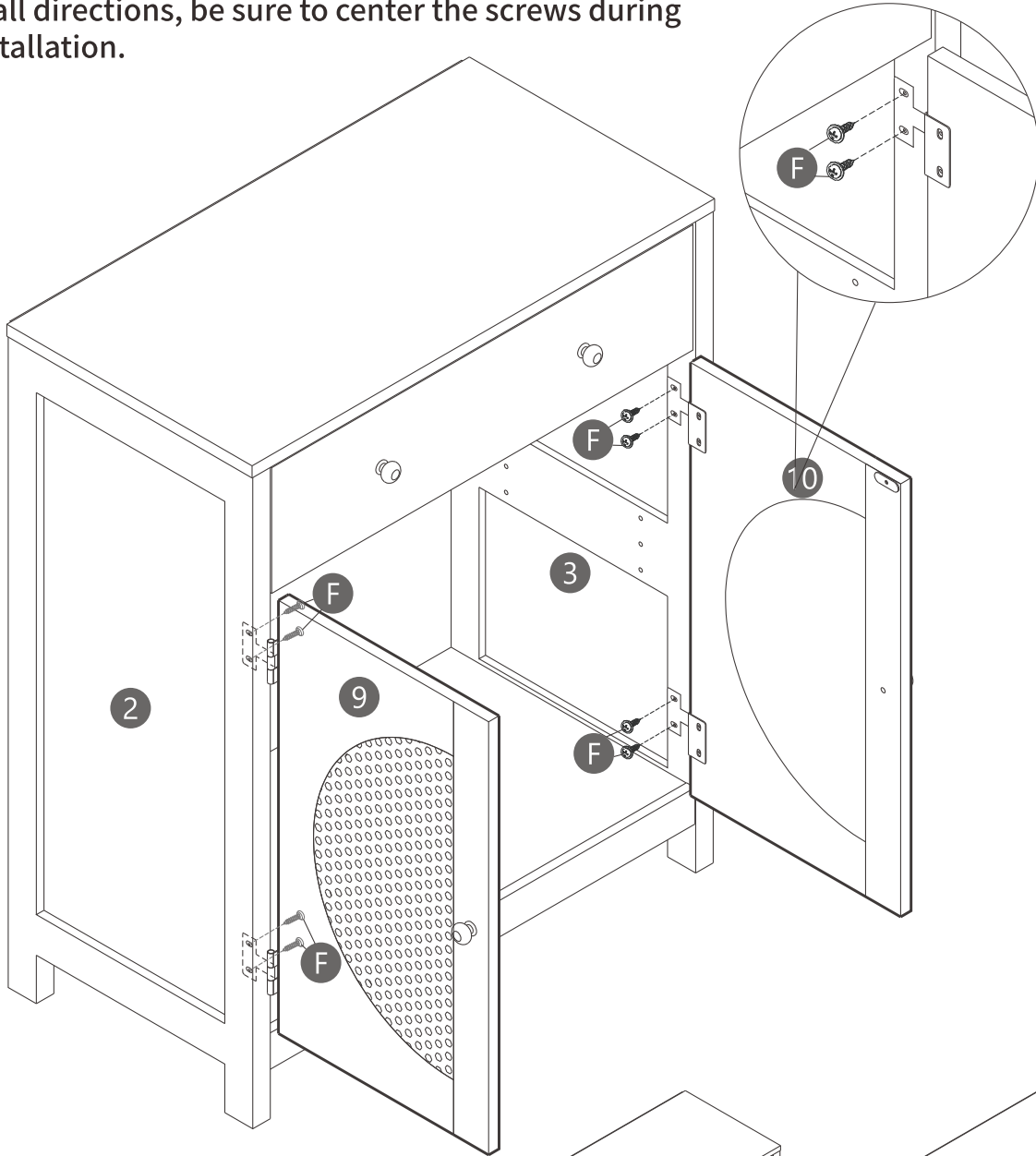
E		x2
H		x2

1/2

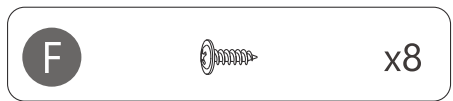
# Step 22

Using Screws (F) to assemble Hinges (N) to the Board (②&③)

Since the door hinge's mounting holes are adjustable in all directions, be sure to center the screws during installation.

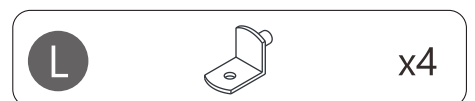
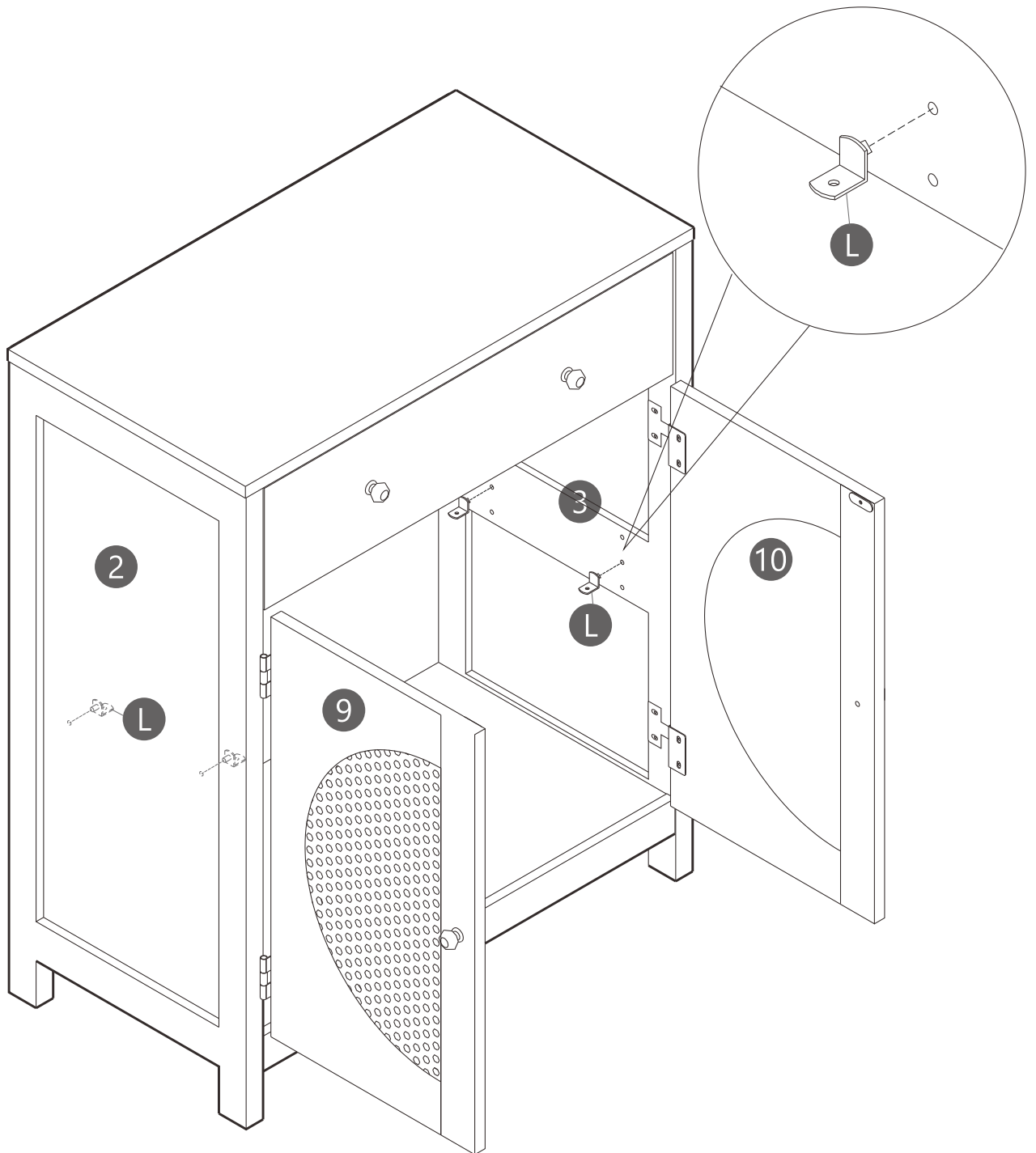


(a) TO ADJUST THE DOOR TO RIGHT OR TO LEFT  
(b) TO ADJUST THE DOOR UP OR DOWN



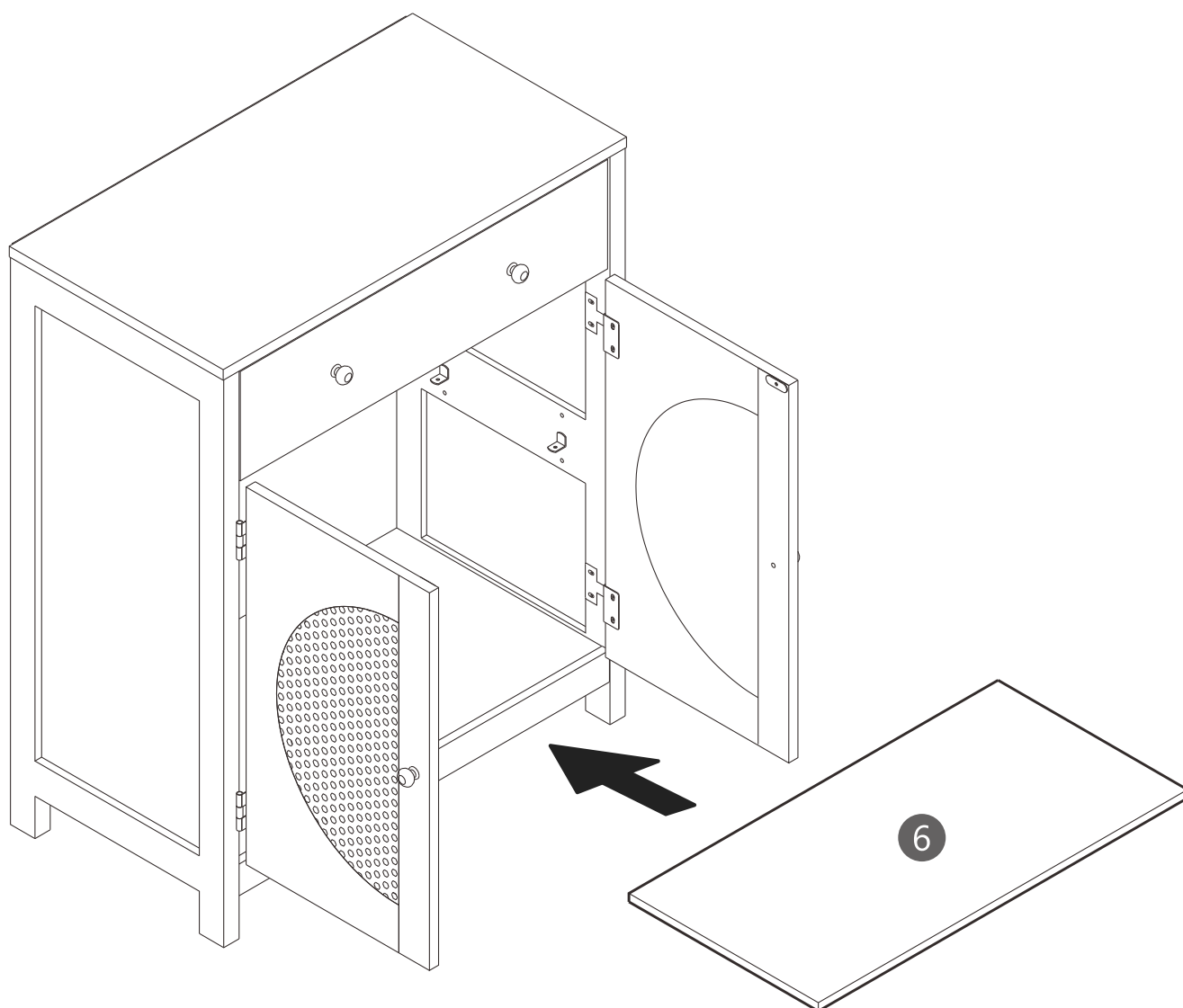
# Step 23

Securing support Accessories (L) into Board (②&③),  
There Are Three Heights Can Be Adjusted



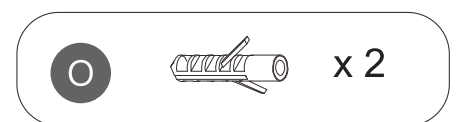
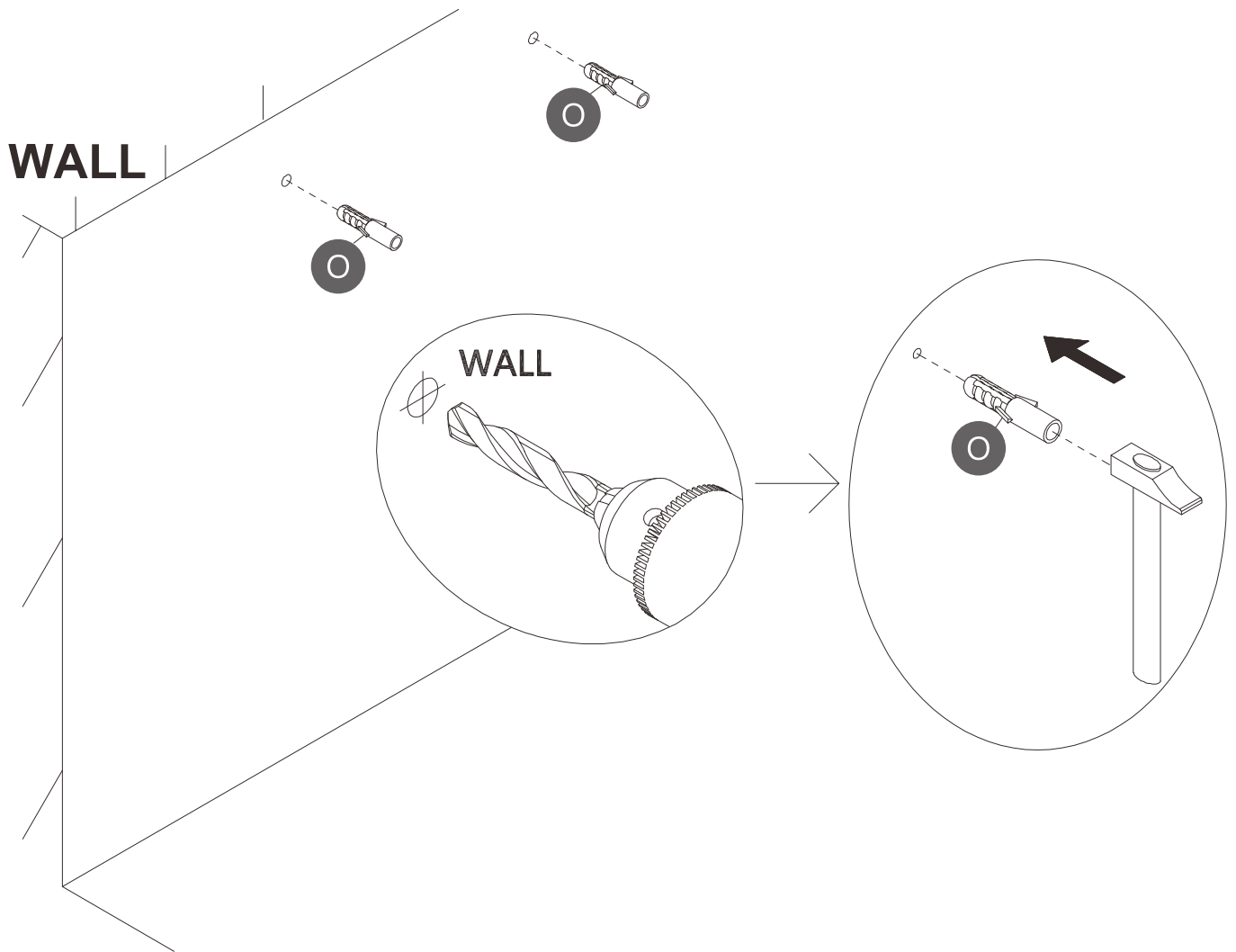
# Step 24

Place the Board (⑥) into Board (②&③).



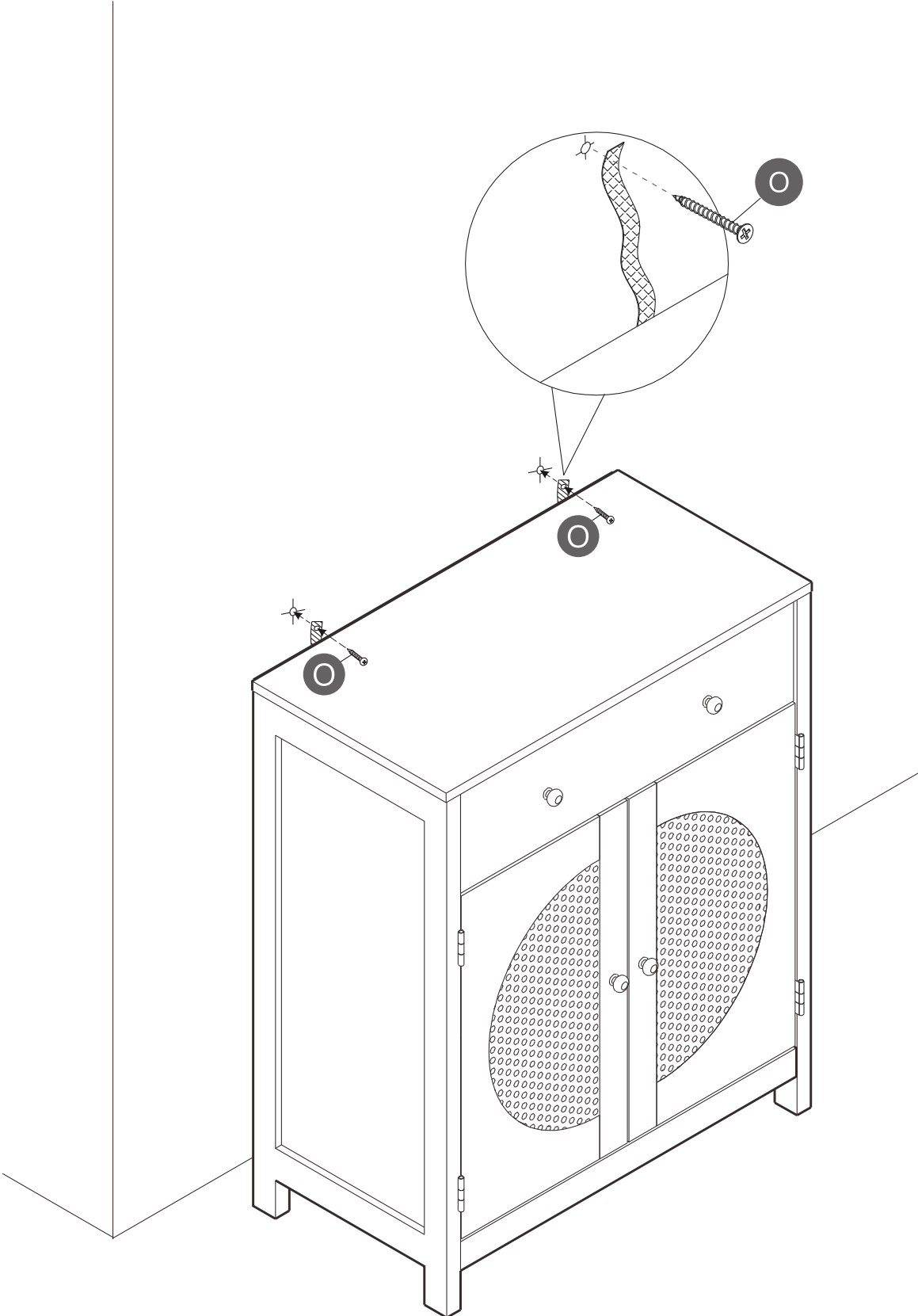
# Step 25



Drill 2 holes in the wall and Hammer the (O) in.



# Step 26

Drill 2 holes in the wall and Hammer the (O) in.



  x2