

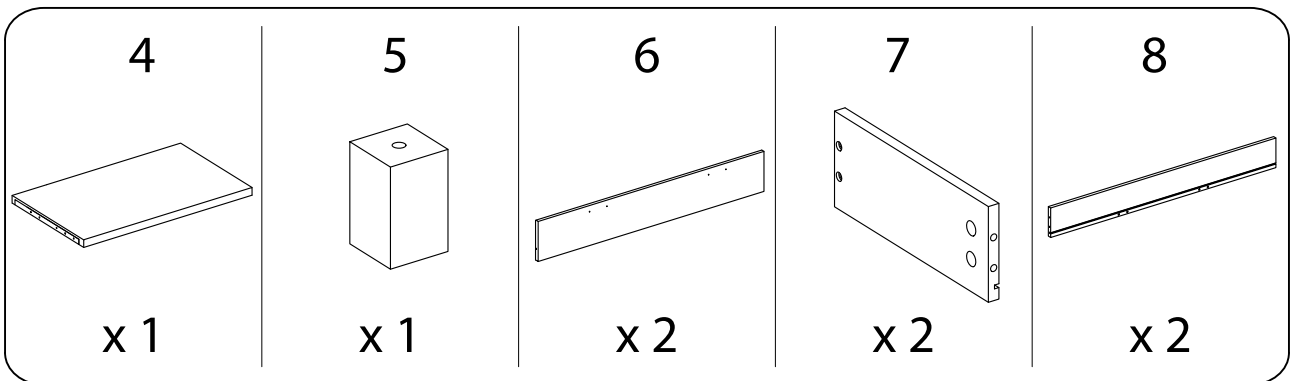
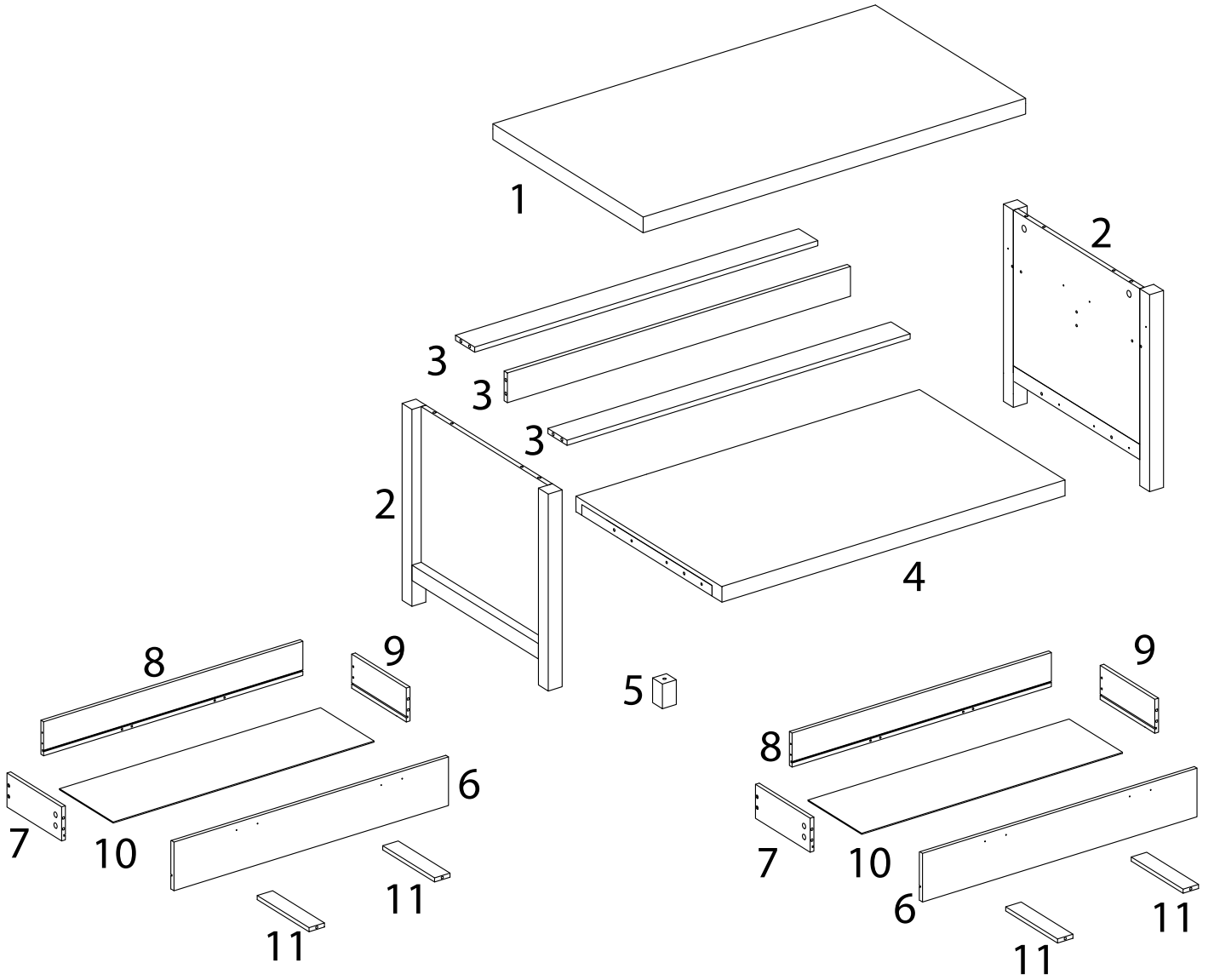
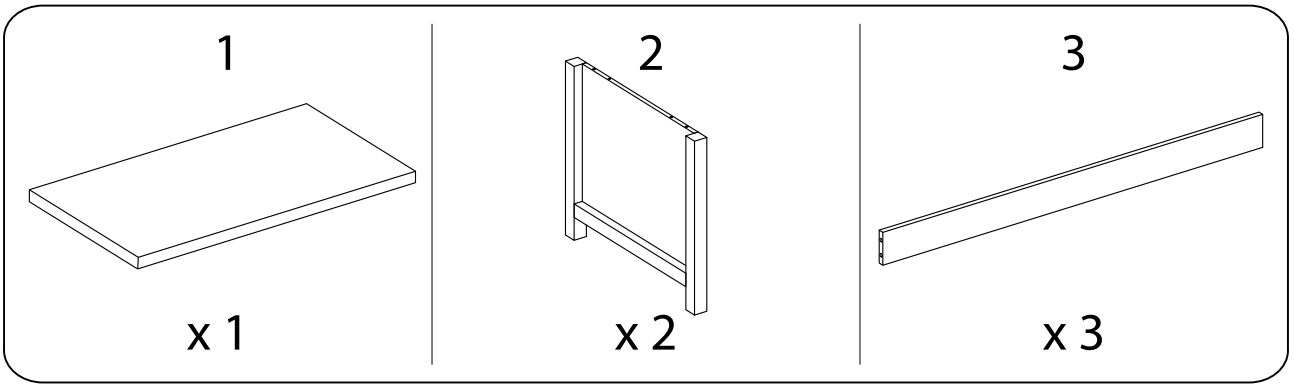
Assembly instructions for the table, including tool requirements, estimated time, and personnel needed.

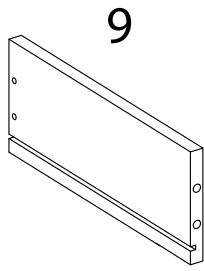
Tools: A circle containing a screwdriver and an L-shaped hex key. A power drill is shown with a diagonal line through it, indicating it is not required.

Time: A clock icon with the text "60'" below it, indicating an estimated assembly time of 60 minutes.

Personnel: A stick figure icon with the number "2" below it, indicating that two people are required for assembly.

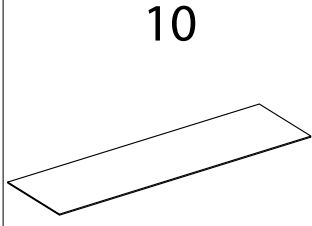
Warnings: Two warning triangles (exclamation marks in triangles) are present. The top one is connected to the tool icons, and the bottom one is connected to the personnel icon.





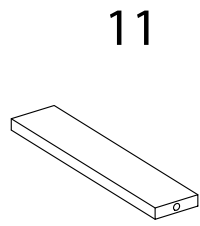
9

x 2



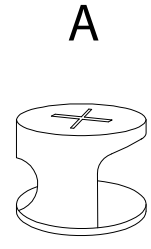
10

x 2



11

x 4



A

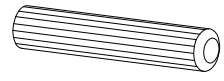
x 28

B



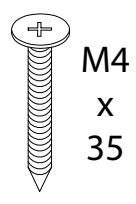
x 28

C



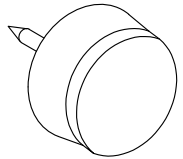
x 8

D



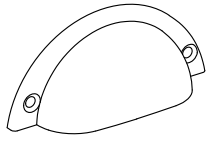
x 16

E



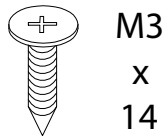
x 5

F



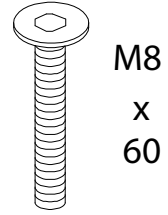
x 4

G



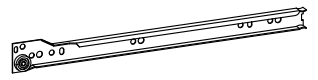
x 8

H



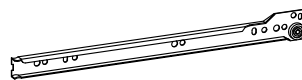
x 8

I



x 2

J



x 2

K



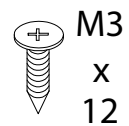
x 2

L



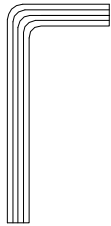
x 2

M



x 24

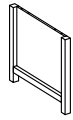
N



x 1

1 x 2

2



x 1

I



x 1

J



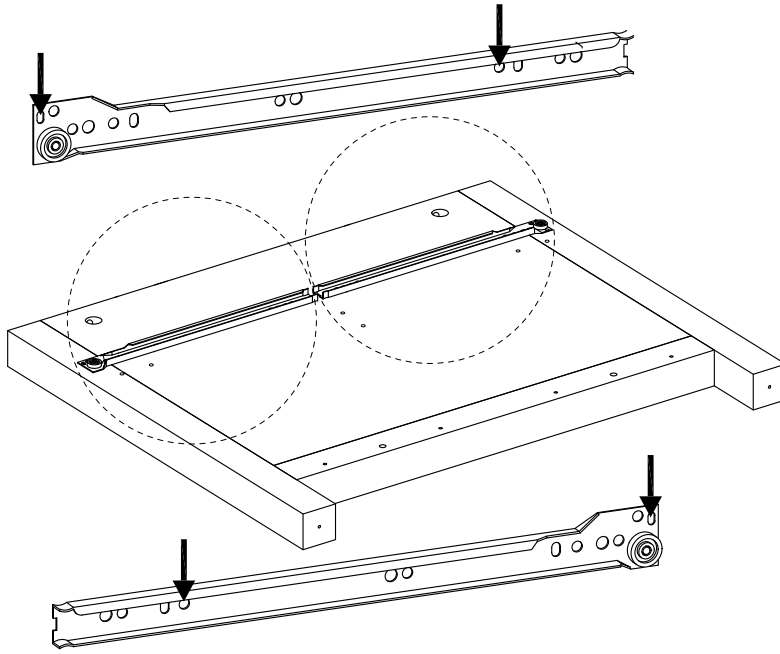
x 1

M

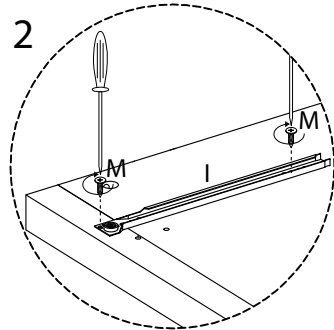


M3
x 12

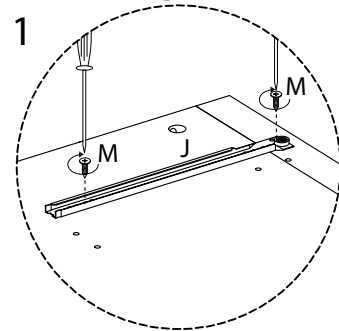
x 4



2



1

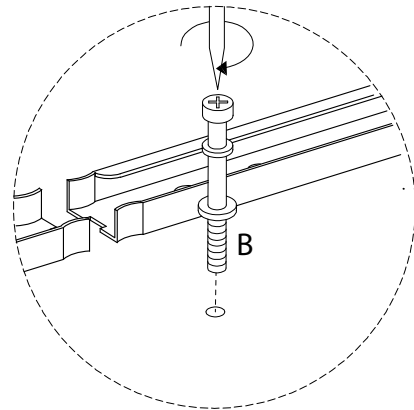
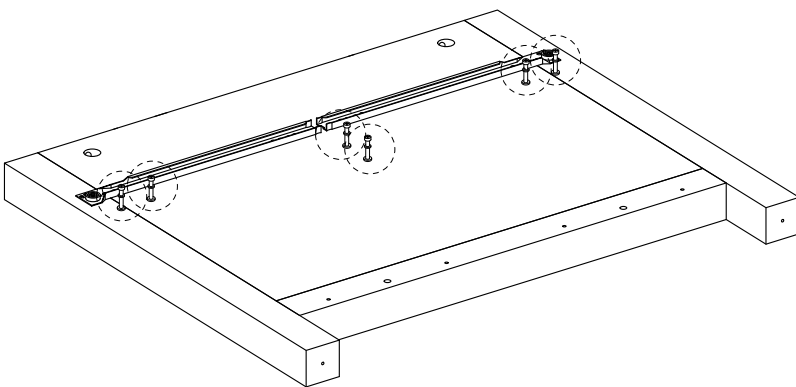


2 x 2

B

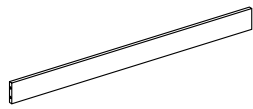


x 6



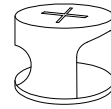
3

3

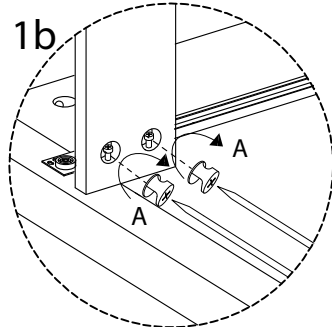
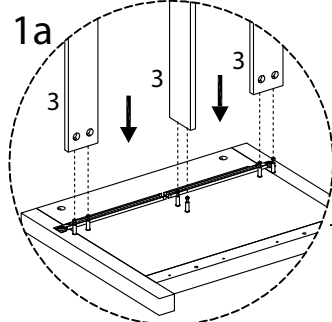
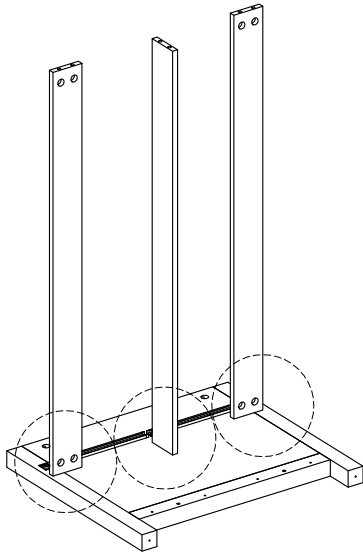


x 1

A

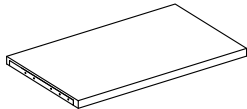


x 6



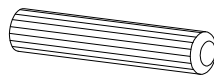
4

4



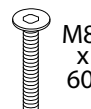
x 1

C



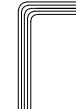
x 2

H

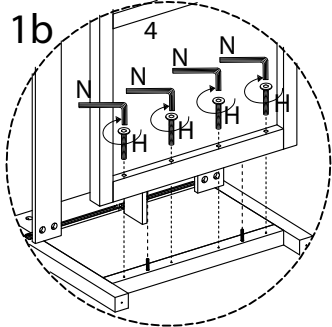
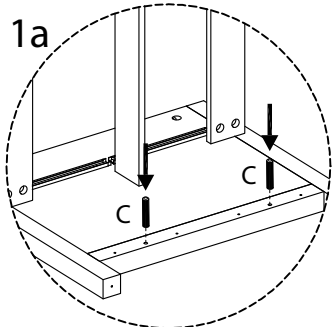
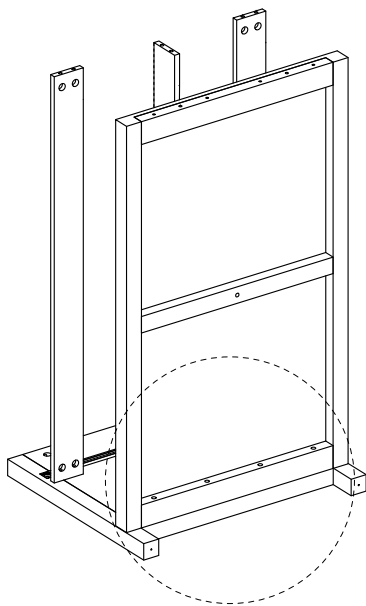


x 4

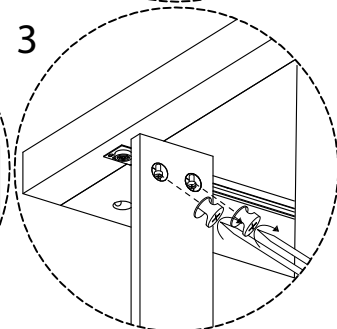
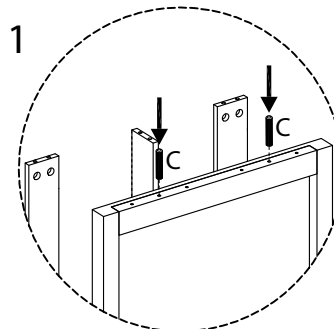
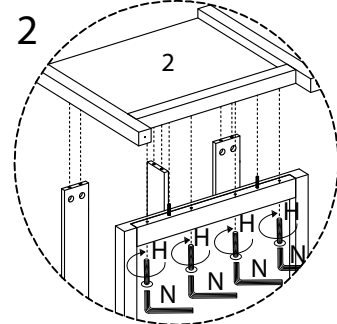
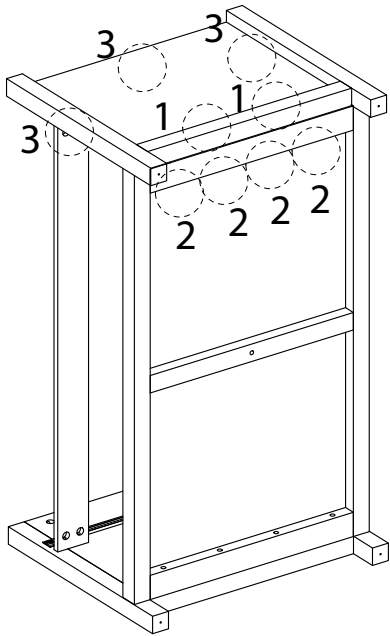
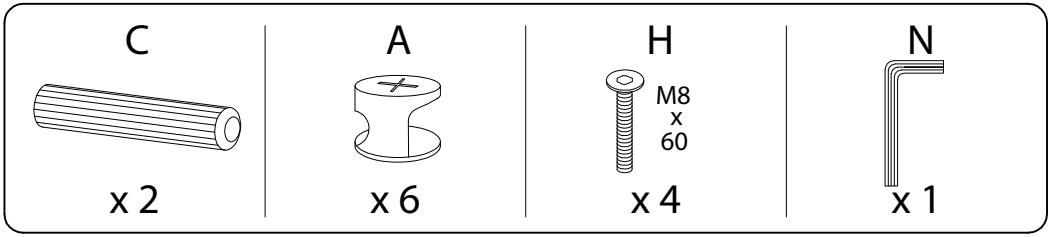
N



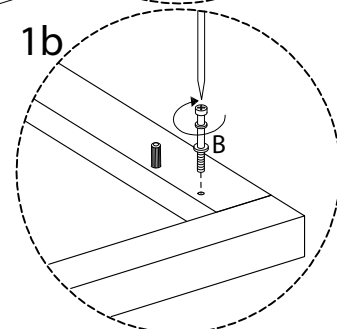
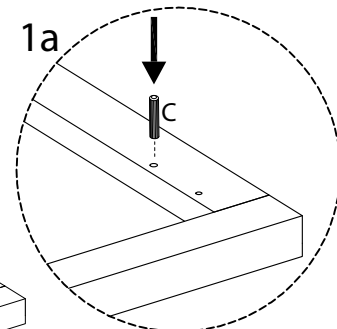
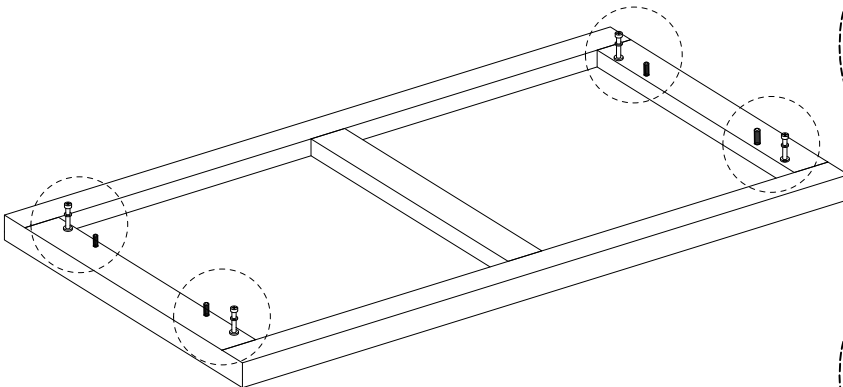
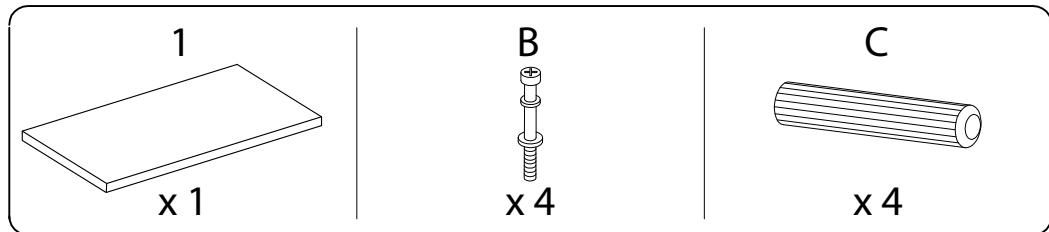
x 1



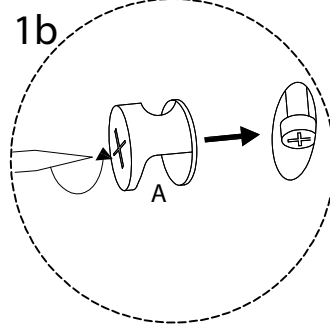
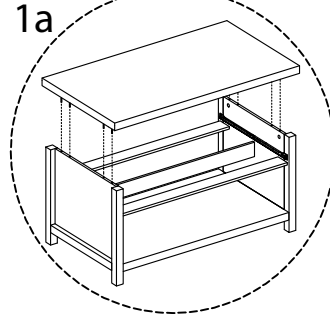
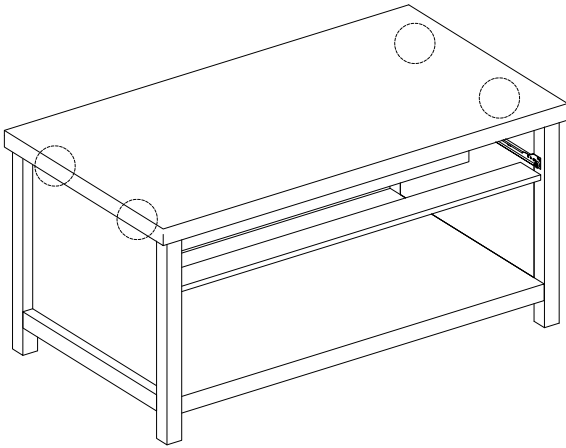
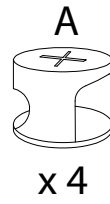
5



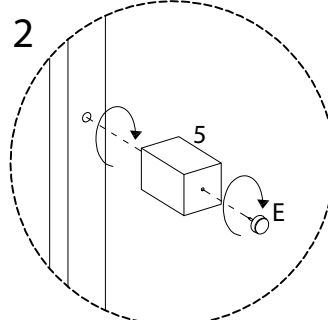
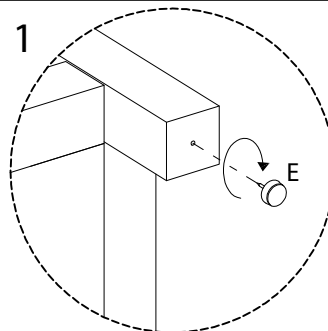
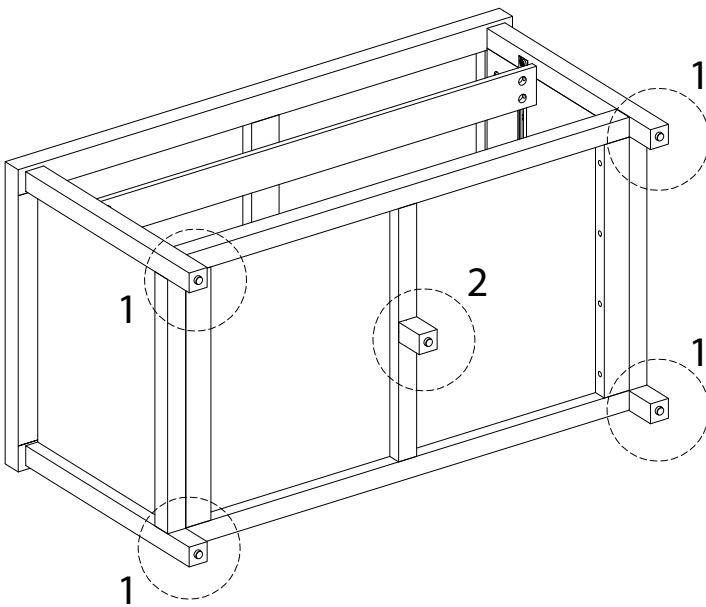
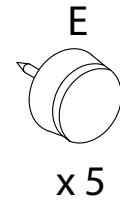
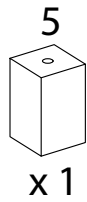
6



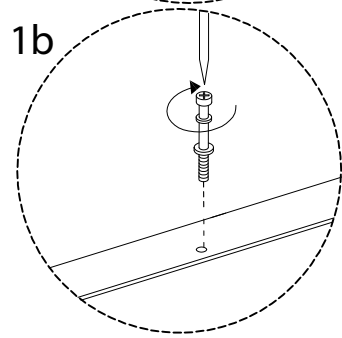
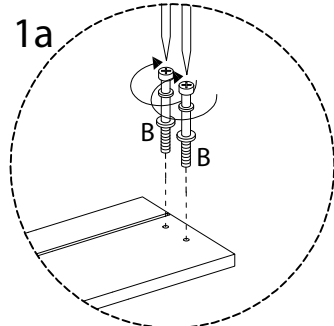
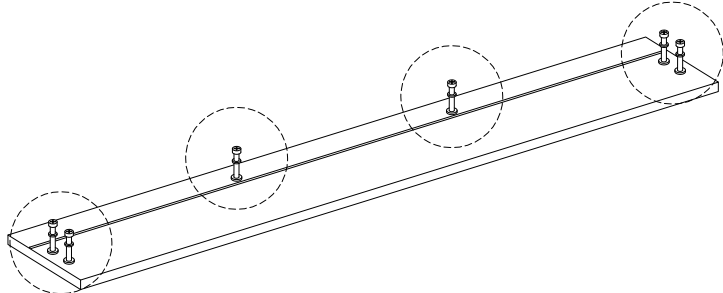
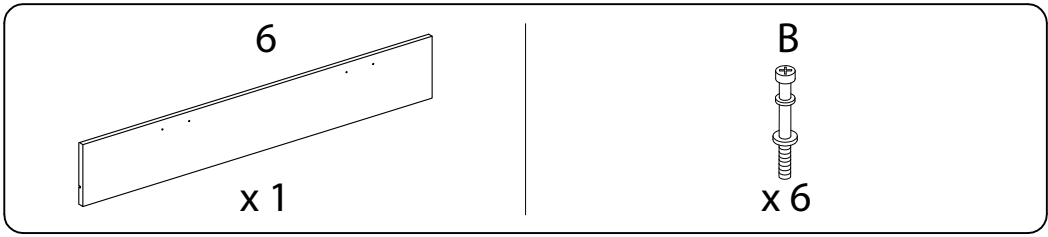
7



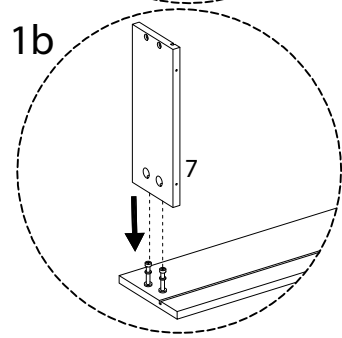
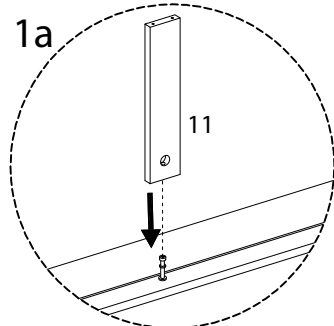
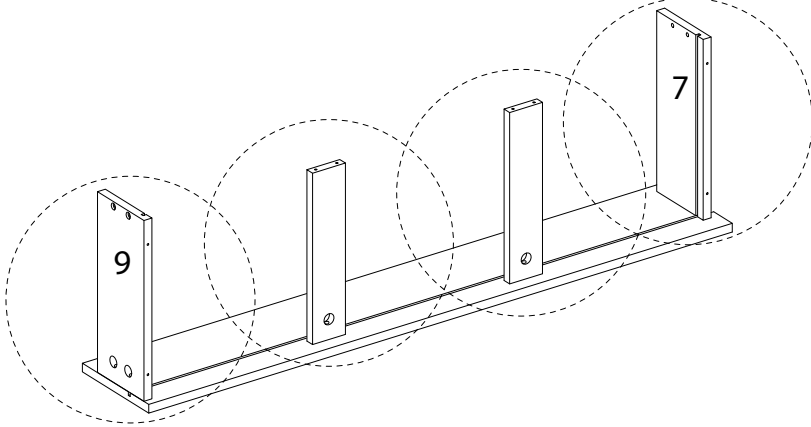
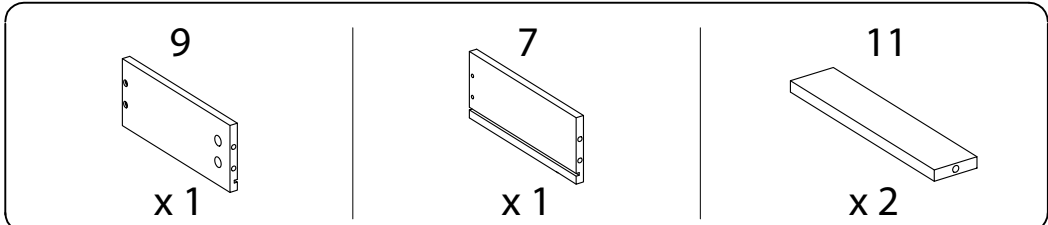
8



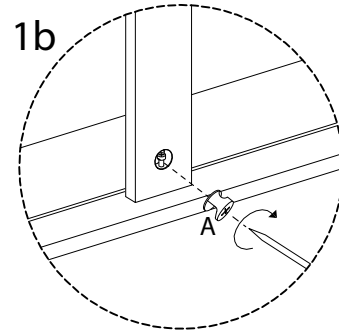
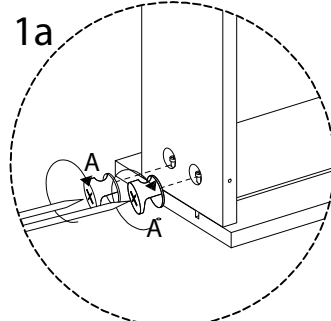
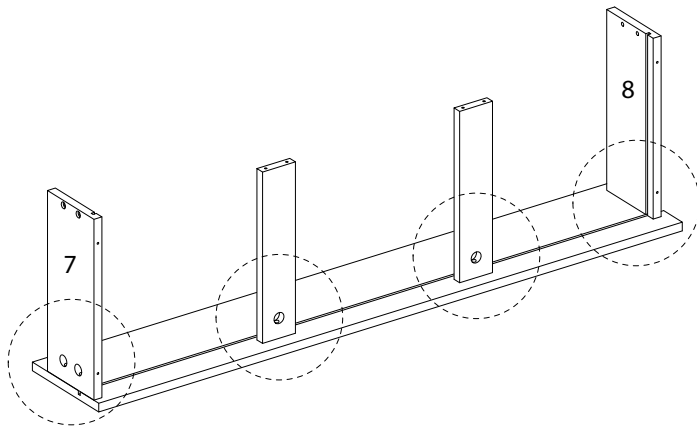
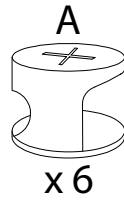
9 x 2



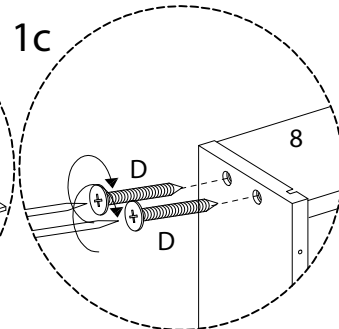
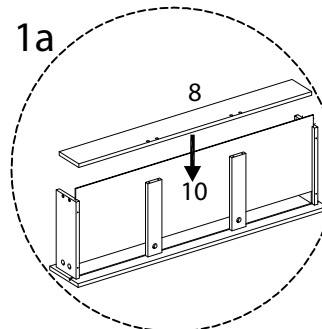
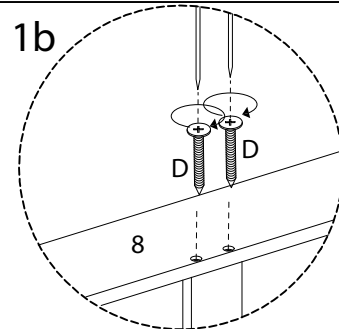
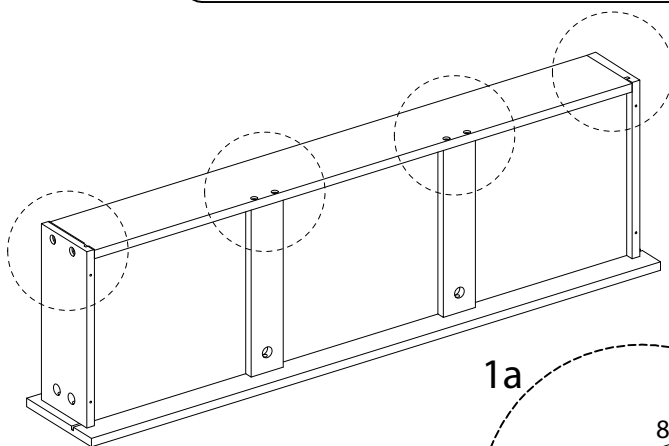
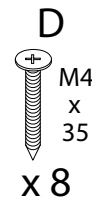
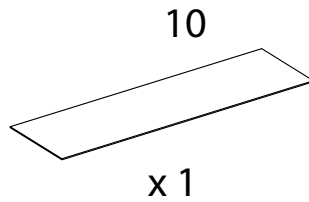
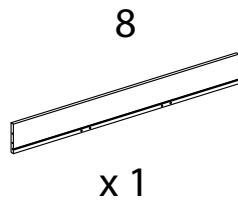
10 x 2



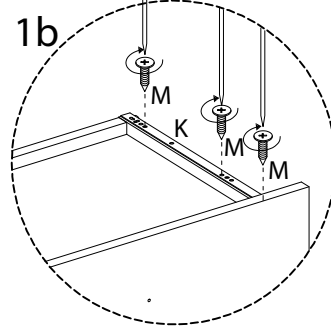
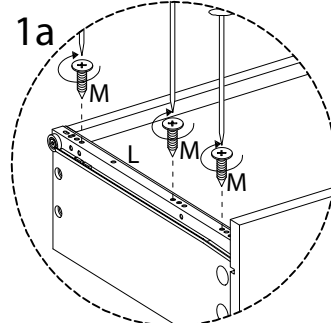
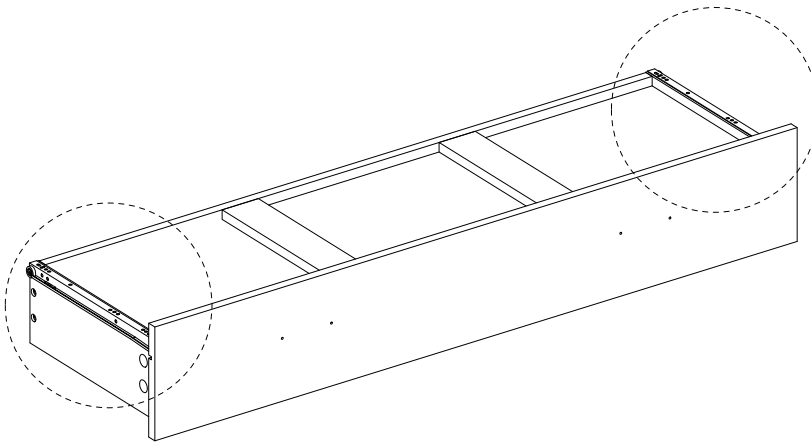
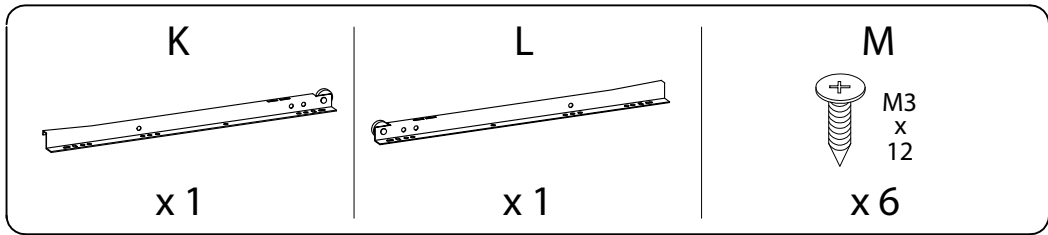
11 x2



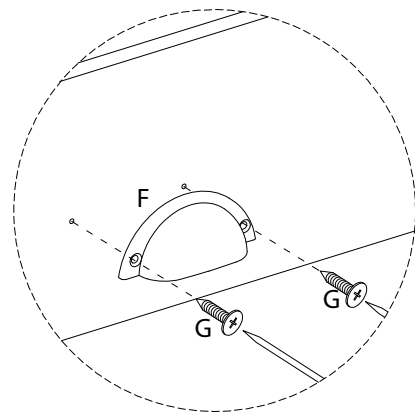
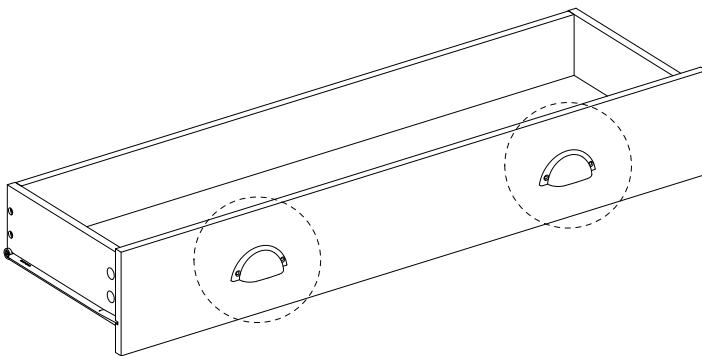
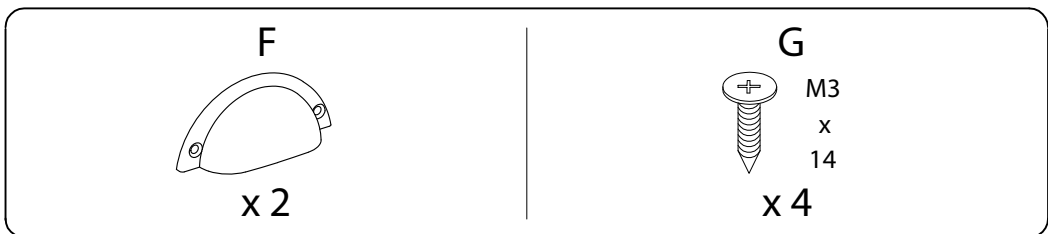
12 x2



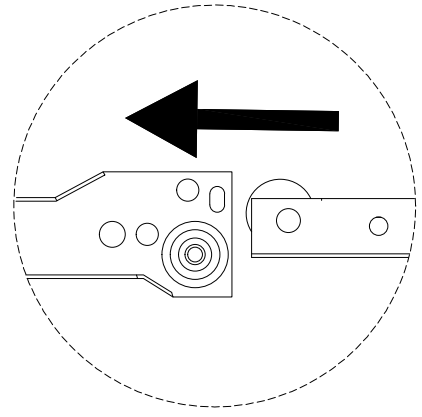
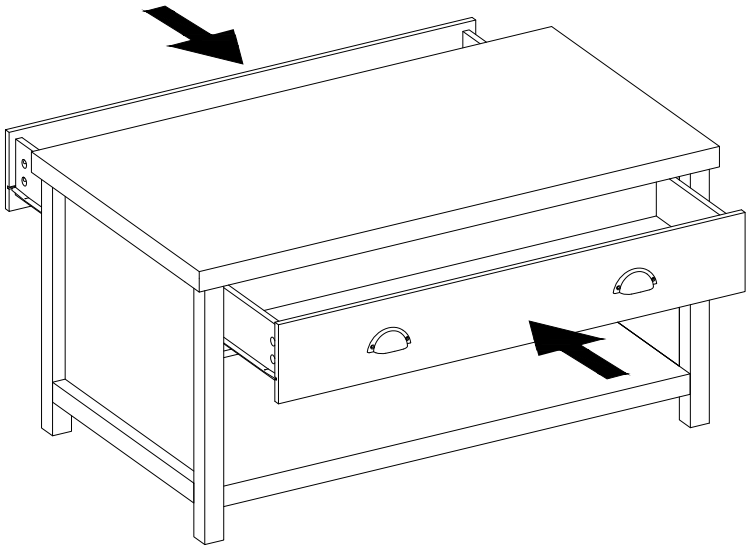
13 x2



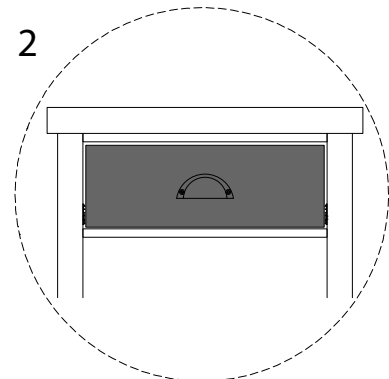
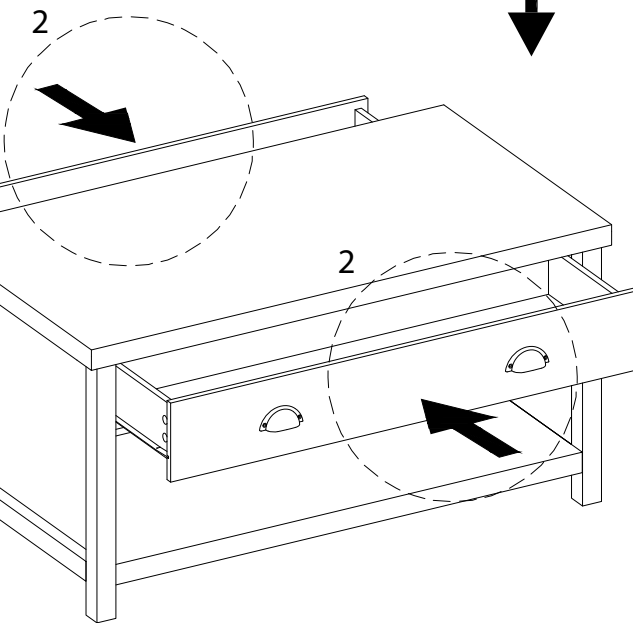
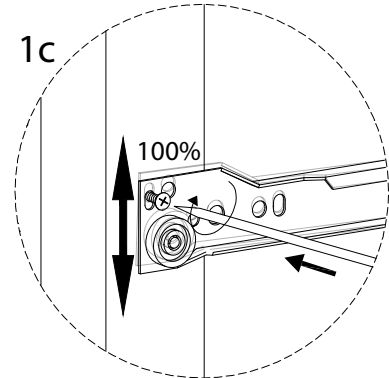
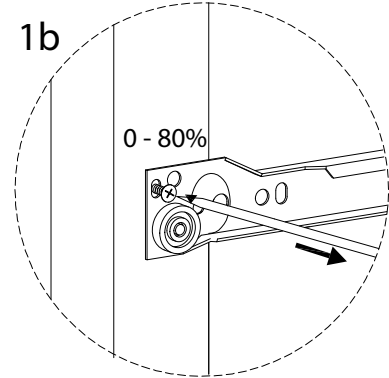
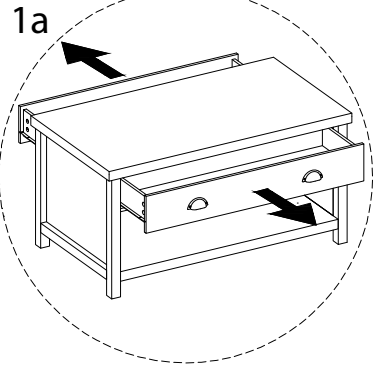
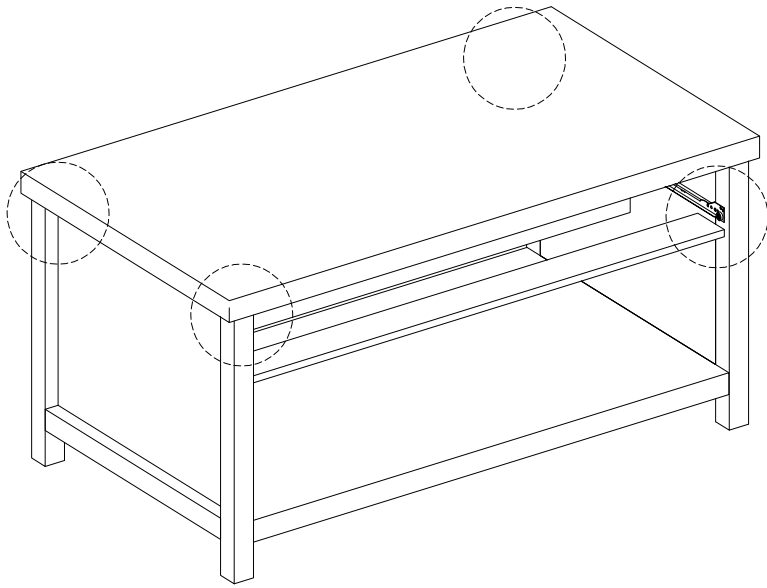
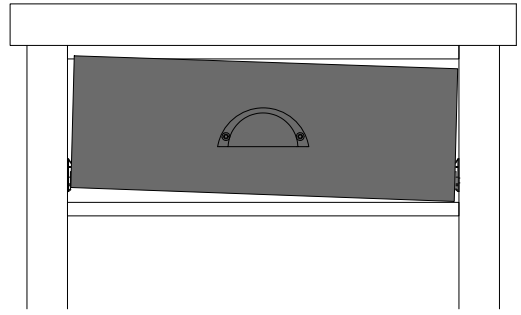
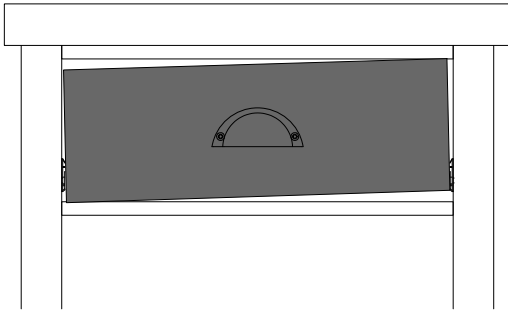
14 x2



15



!



16

