

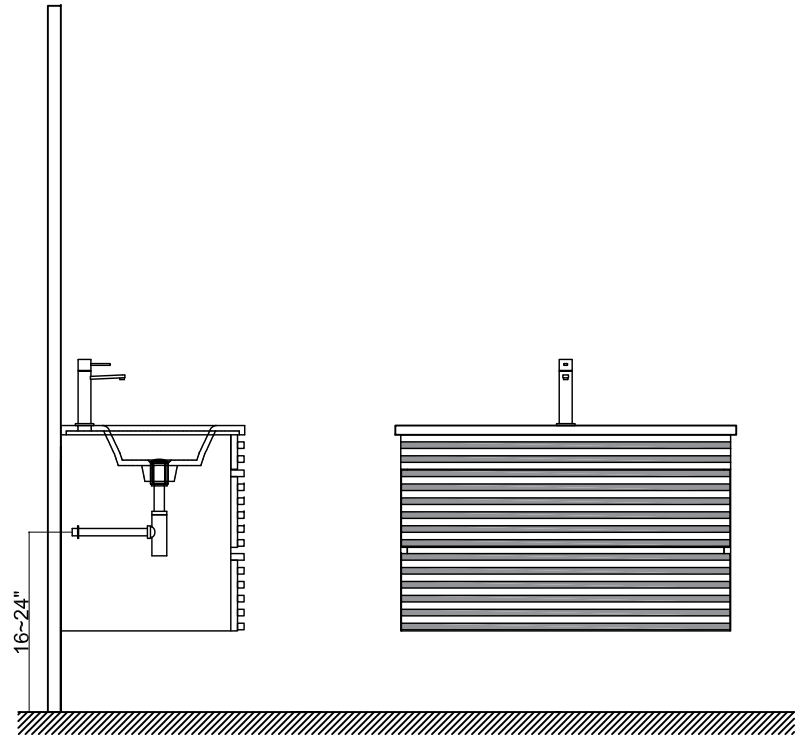
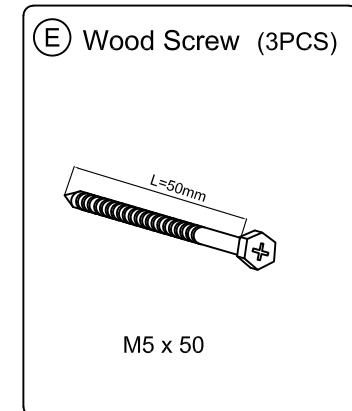
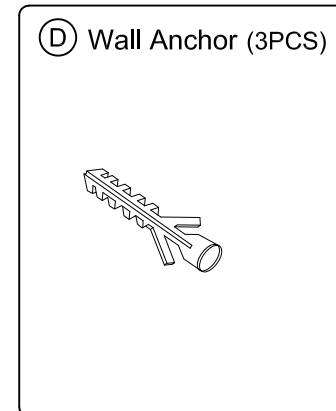
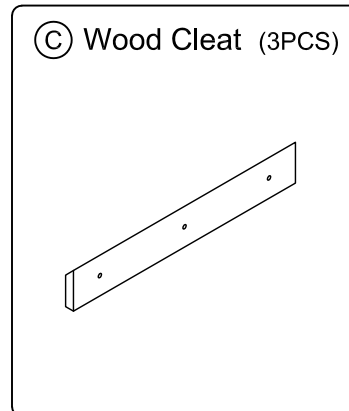
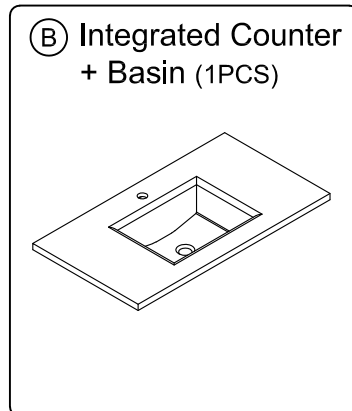
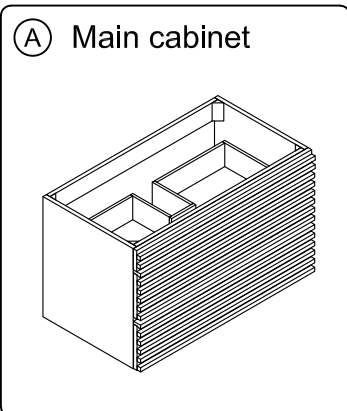
# INSTALLATION GUIDE

Before beginning to assemble and install your vanity, please check that you have received all of the parts and hardware listed in the Packing List. Please report any missing items to your local vendor immediately.

To avoid scratches, scuffs, and other damages, do not of cardboard or another protective surface on the floor, and assemble your vanity on top of it. Always protect all surfaces from sharp objects, high heat sources, direct prolonged sunlight, and harsh chemicals.

Professional installation is recommended.

## PACKING LIST (Please refer to order per retailer)



# INSTALLATION GUIDE

## REQUIRED TOOLS

Glove



Safety Glasses



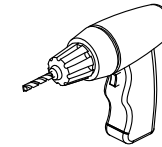
Drill Bits



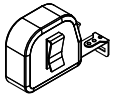
Ø3/8" (8mm)dia.

HSS

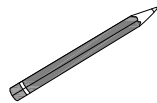
Drill



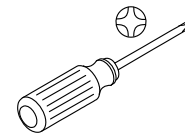
Measuring Tape



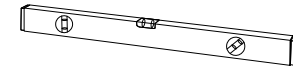
Pencil



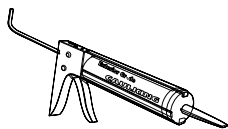
Screw Driver



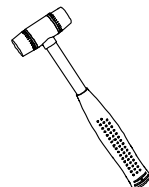
Level



Silicone



Soft Head Hammer



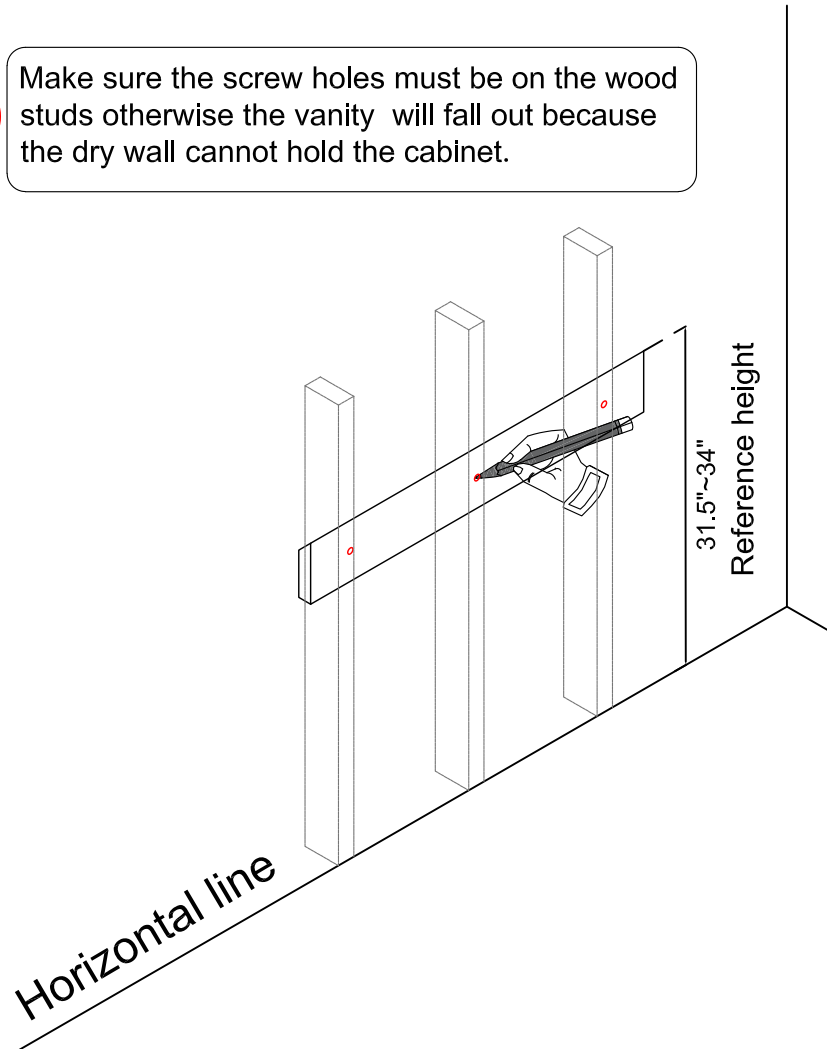
# INSTALLATION GUIDE

## STEP 1

- Use a wood stud finder to locate the wood studs behind the walls.
- Use a pencil to mark the installation location for the **Wood Cleat (B)**.
- Use a level to ensure the **Wood Cleat (B)** will be level before installing to the wall.

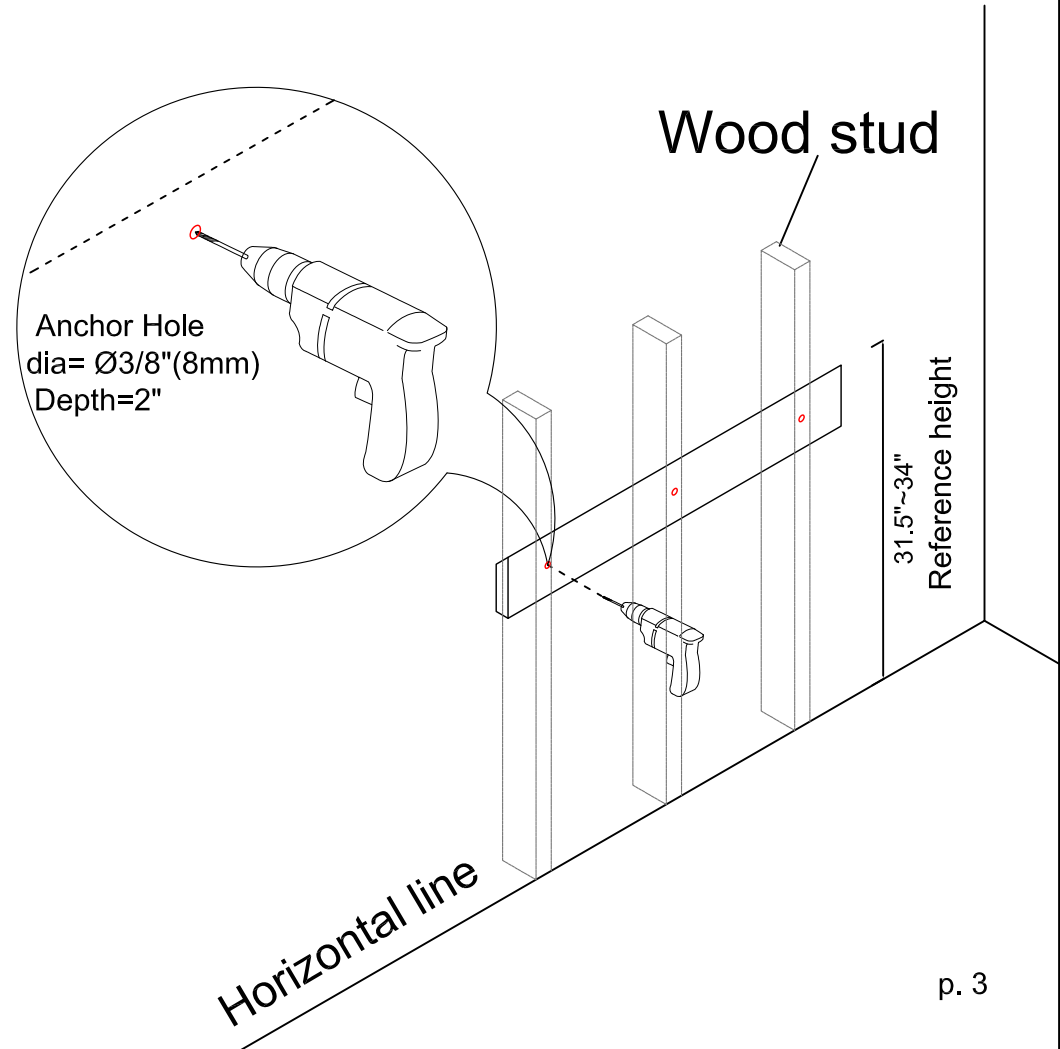
NOTE

Make sure the screw holes must be on the wood studs otherwise the vanity will fall out because the dry wall cannot hold the cabinet.



## STEP 2

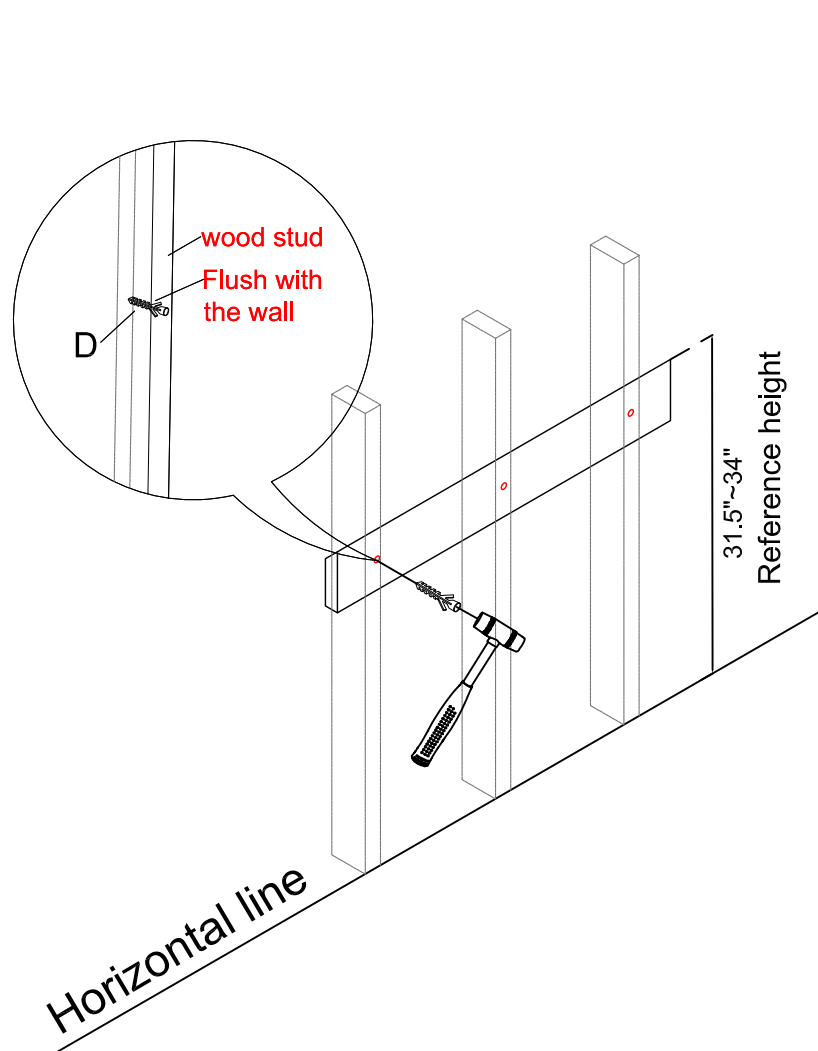
Drill the anchor holes according to the marks using a drill.



# INSTALLATION GUIDE

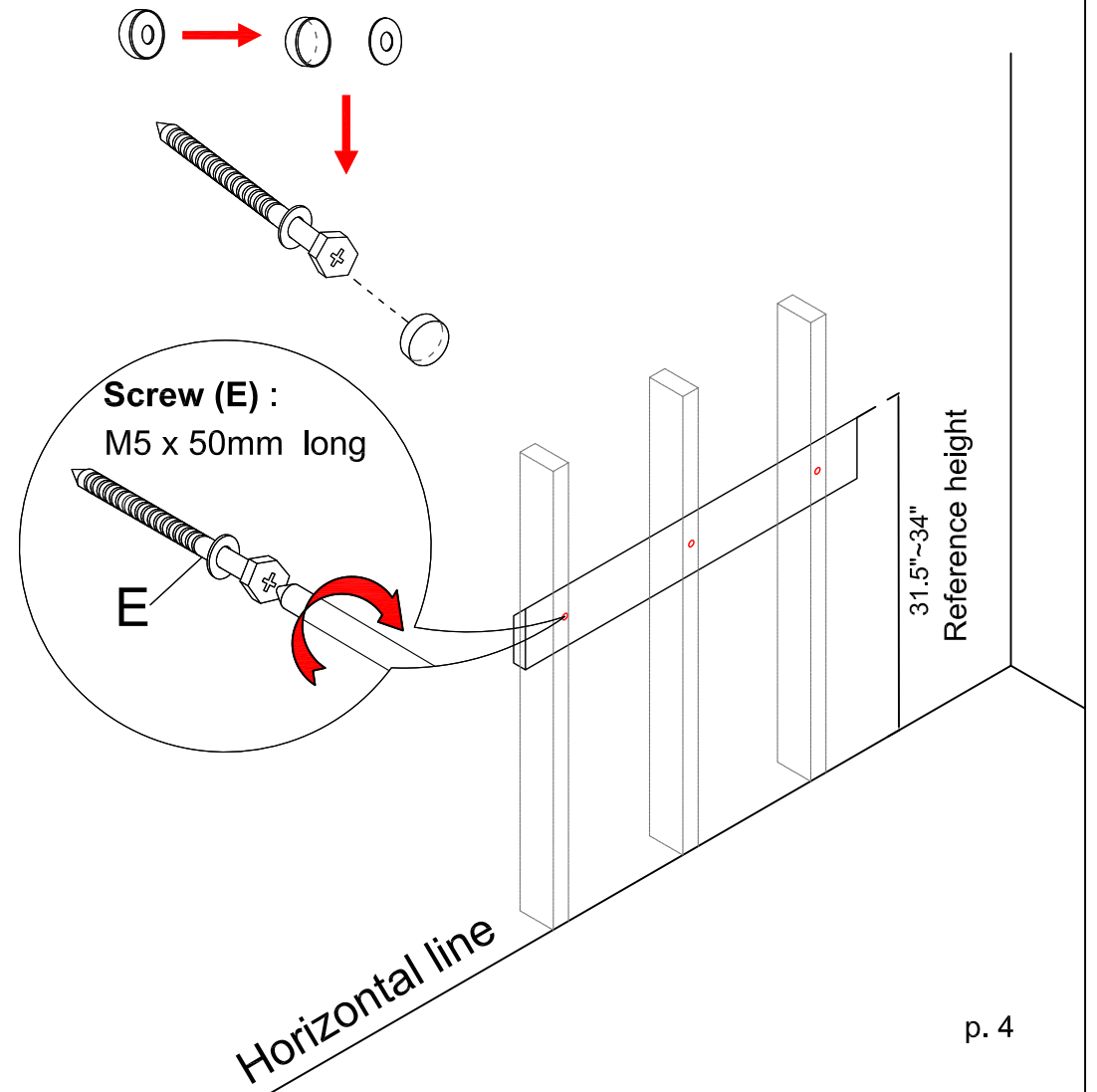
## STEP 3

Install the **Wall Anchors (D)** provided into the wall with hammer.



## STEP 4

Install the **Wood cleat (B)** to the wood studs by screw driver.

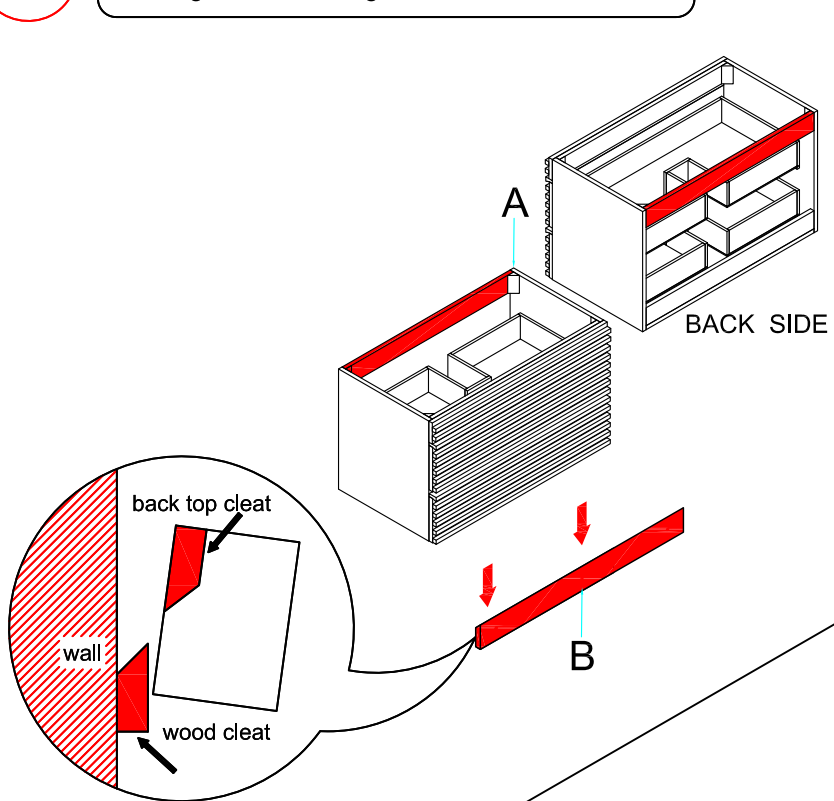


# INSTALLATION GUIDE

## STEP 5

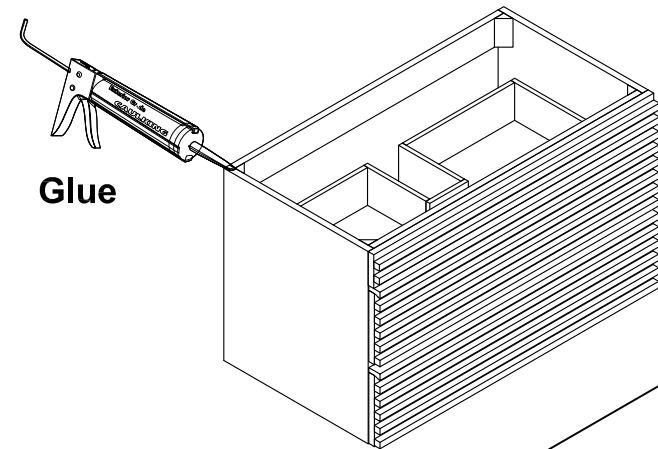
With help from another person, carefully hang the **Vanity (A)** onto the **Wood Cleat (B)**.

**NOTE** When installing the **Wood Cleat (B)** make sure the angle cut is facing the wall.



## STEP 6

Apply caulk to the perimeter of the top of the cabinet.

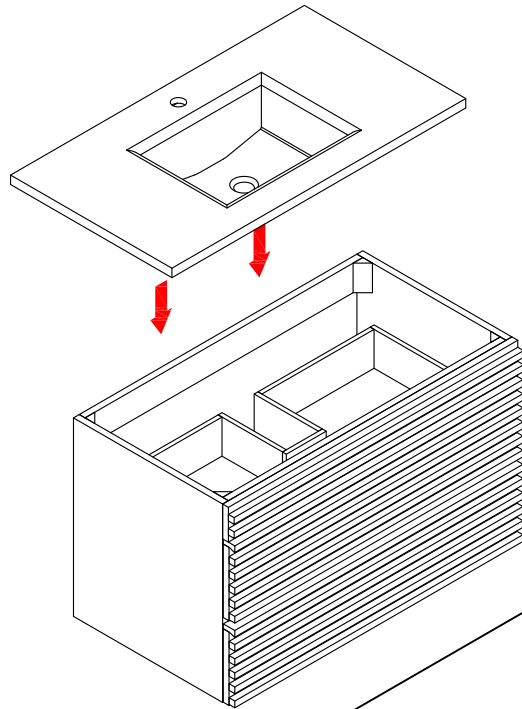


# INSTALLATION GUIDE

---

## STEP 5

Install the countertop and attached basin so that the rim of the countertop rests on the caulk.



## STEP 6

