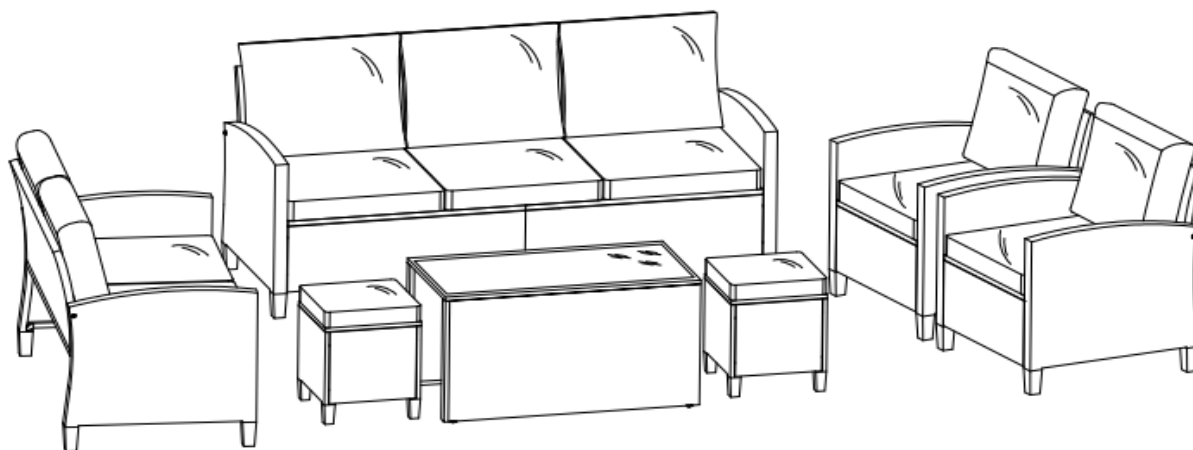


Rattan Sofa Instruction (See Video first, it will save you One hour)



[Guarantee]

If you have questions or quality problem, Email us: service@foresthomes-us.com we will reply you in 12hour. Great shopping experience.



WHATSAPP CODE

[Installation Video]

The installation video on YOUTUBE for your reference. The Youtube code is **HLfL8-jKdil** you just search the code on YOUTUB, the video will be there. Scan it.



INSTALLATION VIDEO CODE

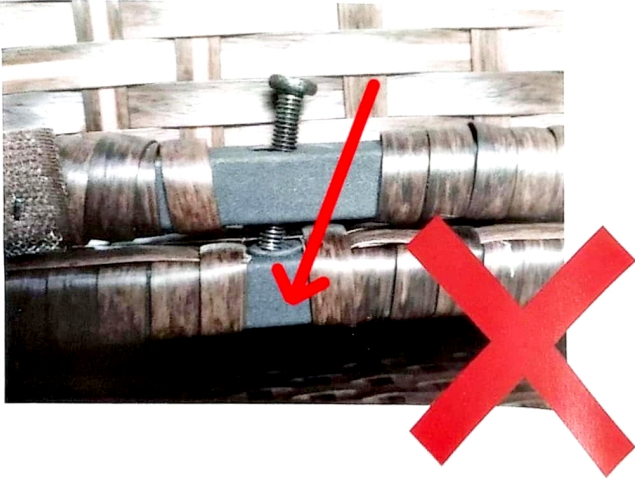
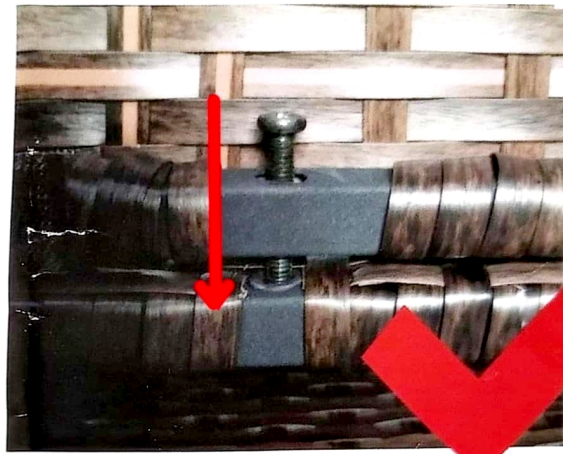
NOTE:

[Most important !!!] See the video first! It will save you one hour.

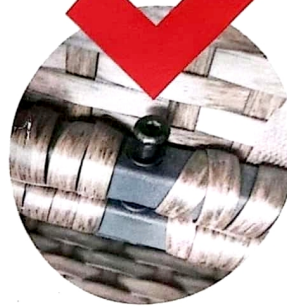
1. Please DO NOT fix screws tightly before all screws and holes connected.
2. Keeping all screws half-tightened will make assembling easier .
3. Please email us service@foresthomes-us.com with pictures if you need any help during assembling.
4. Don't expose the cushions in the sun for a long period of time and cover the set or put cushions indoor when there is rain or snow expected for long periods of time.
5. Please don't discard packing boxes before all cushion chairs are assembled without first making sure there are no issues with assembly or parts. We will ask for the SKU# on boxes if there are any issues reported so please keep that information and have it available. Thank you!
6. This products will come from TWO BOEXS.
If you got one of them. Don't worry. The others are on the way. Or Email us.
7. After opening the vacuum packaging of pillows and cushions, pat them with your hands. Then leave them for 24 hours to restore them to their normal thickness.



Friendly Reminder



Please ensure that the screw is aligned with holes vertically(not obliquely), in case of assemble difficulty and unstability in usage.



Do not tighten all the bolts in First step.

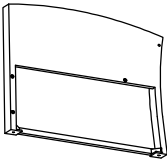
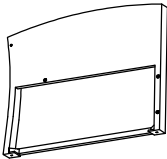
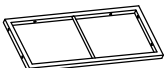

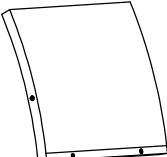
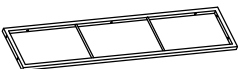
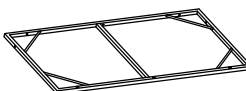

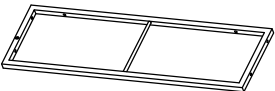
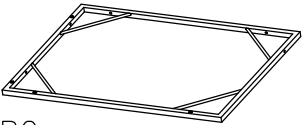

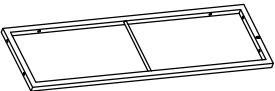
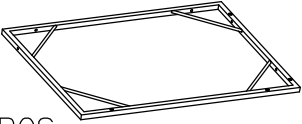

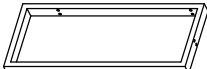


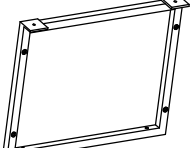
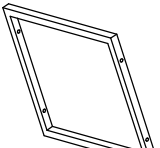
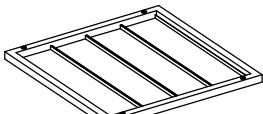







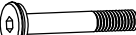
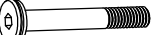


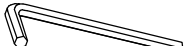

Do not tighten any screws first. tighten twist 1-2 turns only.

Because they need some room to adjust. Till all the screws are on the holes.

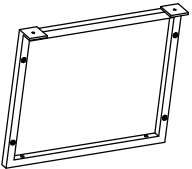
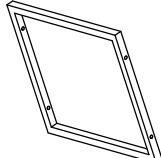
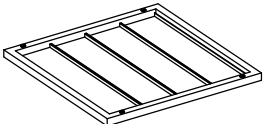





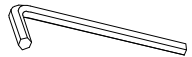


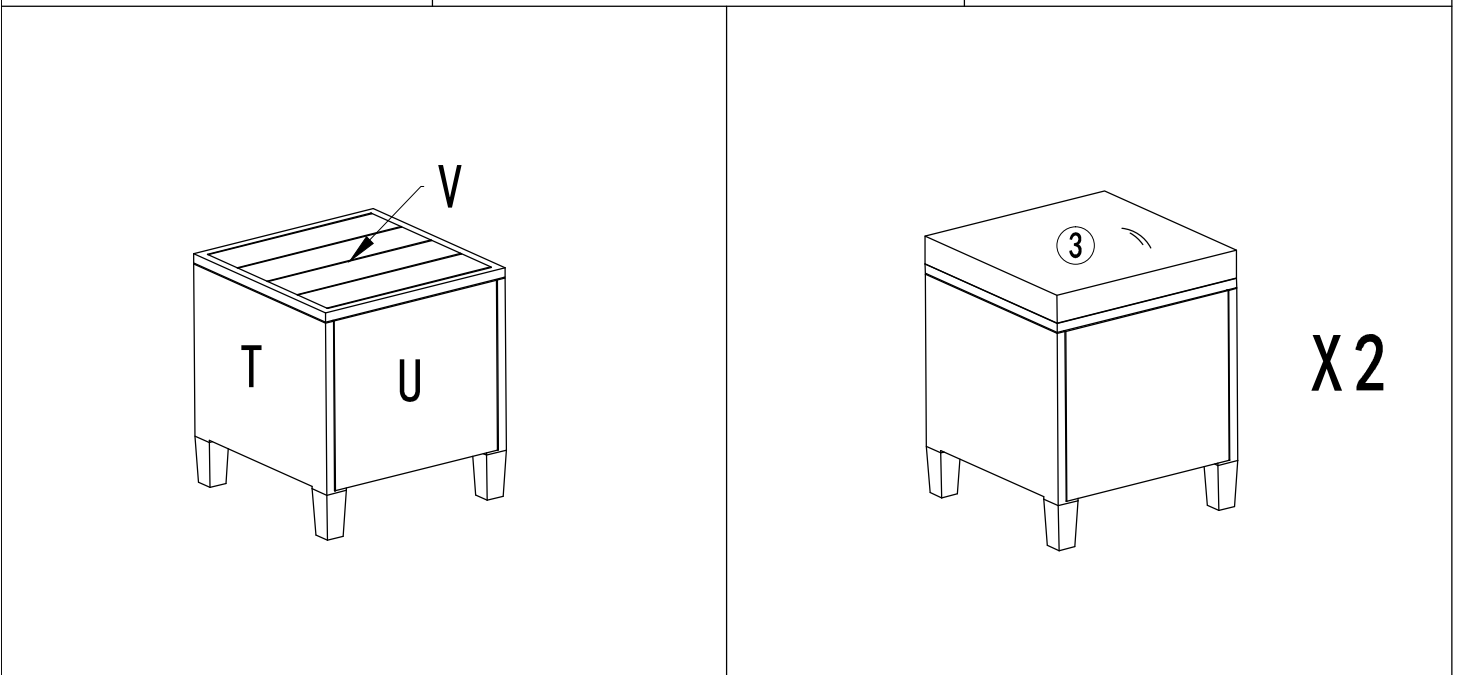
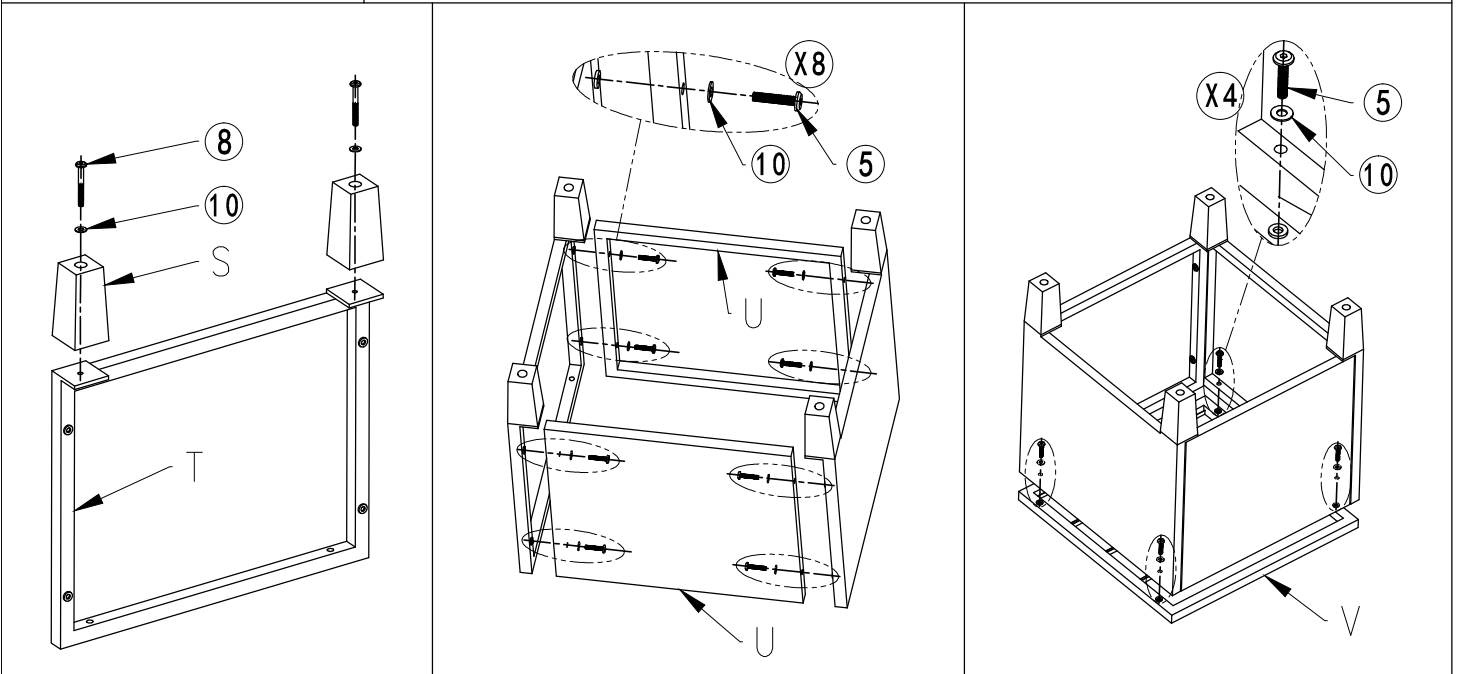
Tighten the bolts by hex wrench until the last step.

COMPONENTS / HARDWARE

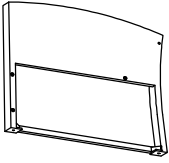
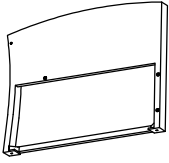
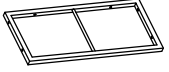
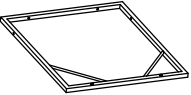
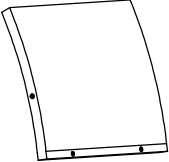

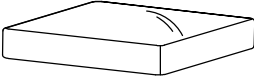
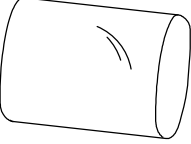


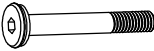


<p>A</p>  <p>4PCS</p>	<p>B</p>  <p>4PCS</p>	<p>C</p>  <p>2PCS</p>	<p>D</p>  <p>2PCS</p>
<p>E</p>  <p>2PC</p>	<p>F</p>  <p>1PC</p>	<p>G</p>  <p>1PC</p>	<p>H</p>  <p>1PC</p>
<p>J</p>  <p>1PC</p>	<p>K</p>  <p>1PC</p>	<p>L</p>  <p>1PC</p>	<p>M</p>  <p>1PC</p>
<p>N</p>  <p>1PCS</p>	<p>P</p>  <p>1PCS</p>	<p>Q</p>  <p>1PC</p>	<p>R</p>  <p>2PCS</p>
<p>S</p>  <p>26PCS</p>	<p>T</p>  <p>4PCS</p>	<p>U</p>  <p>4PCS</p>	<p>V</p>  <p>2PCS</p>
<p>①</p>  <p>7PCS</p>	<p>②</p>  <p>7PCS</p>	<p>③</p>  <p>2PCS</p>	<p>④</p>  <p>4PCS M6*15</p>
<p>⑤</p>  <p>76PCS M6*30</p>	<p>⑥</p>  <p>1PCS M6*35</p>	<p>⑦</p>  <p>4PCS M6*45</p>	<p>⑧</p>  <p>26PCS M6*50</p>
<p>⑨</p>  <p>8PCS M6*55</p>	<p>⑩</p>  <p>122PCS $\phi 14 * \phi 6.5 * 1.5$</p>	<p>⑪</p>  <p>4PCS M6</p>	<p>⑫</p>  <p>1PC</p>
<p>⑬</p>  <p>1PC</p>			

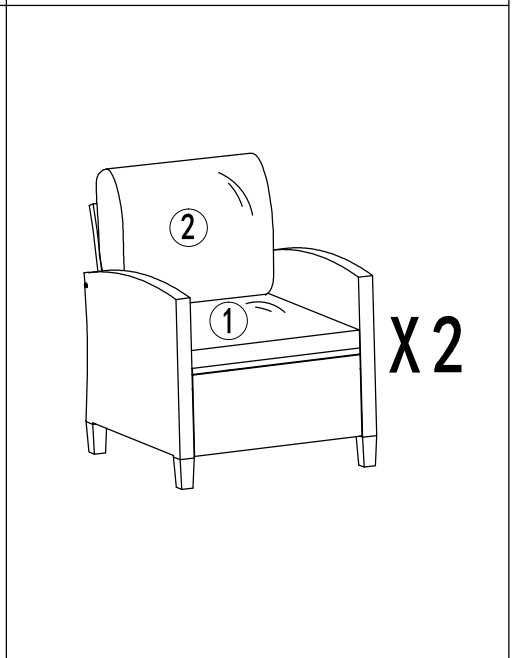
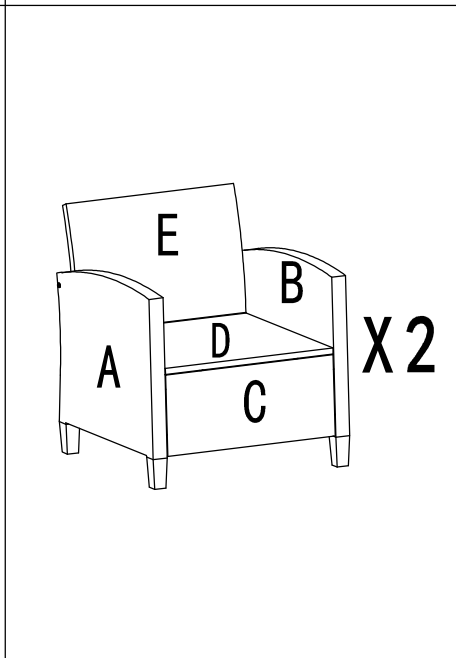
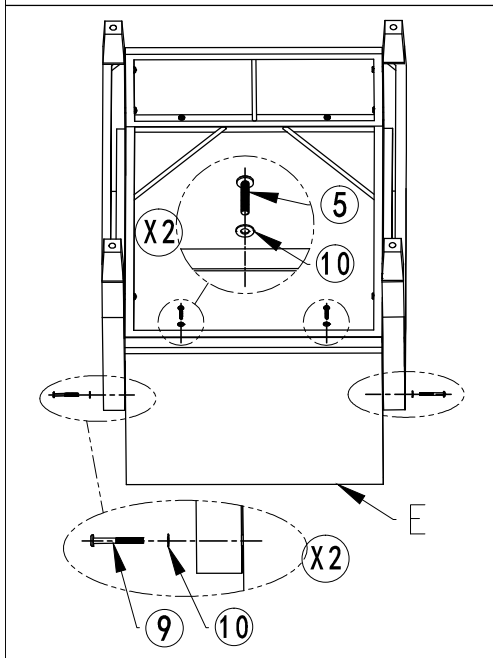
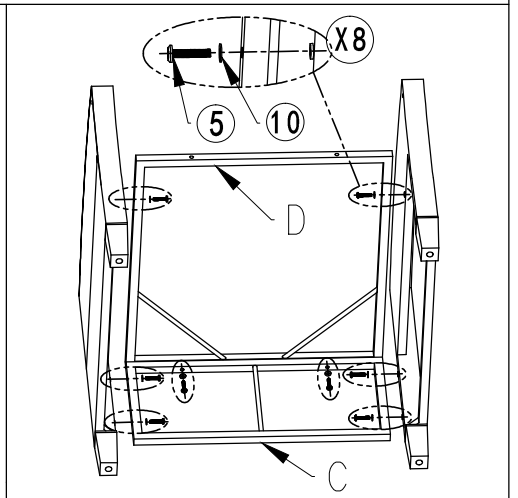
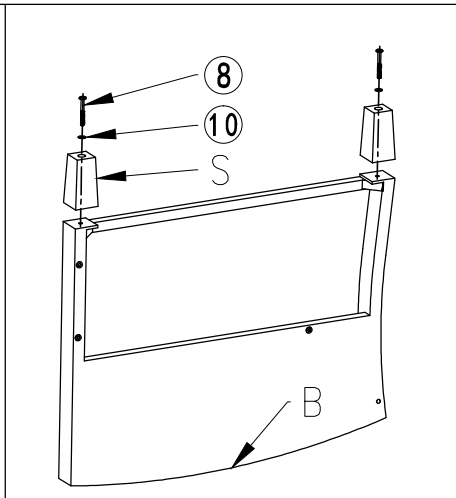
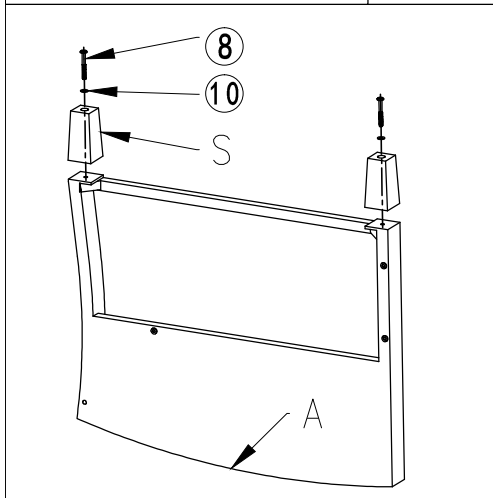
Ottoman List (2PCS)

<p>T</p>  <p>2PCS</p>	<p>U</p>  <p>2PCS</p>	<p>V</p>  <p>1PC</p>	<p>S</p>  <p>4PCS</p>
<p>③</p>  <p>1PC</p>	<p>⑤</p>  <p>12PCS M6*30</p>	<p>⑧</p>  <p>4PCS M6*50</p>	<p>⑩</p>  <p>16PCS $\phi 14 * \phi 6.5 * 1.5$</p>
<p>⑫</p>  <p>1PC</p>			

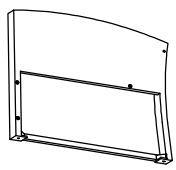
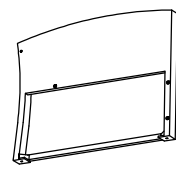
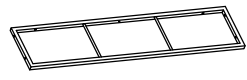
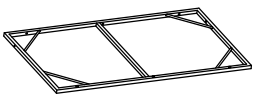
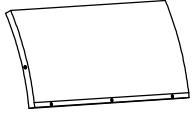
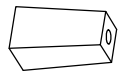
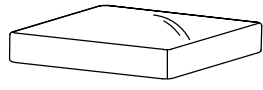
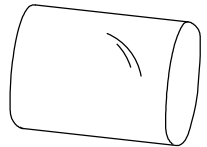
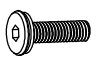

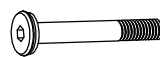

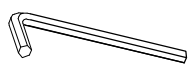


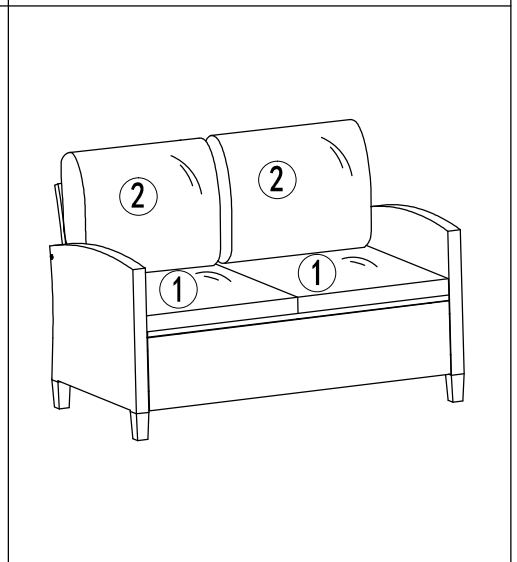
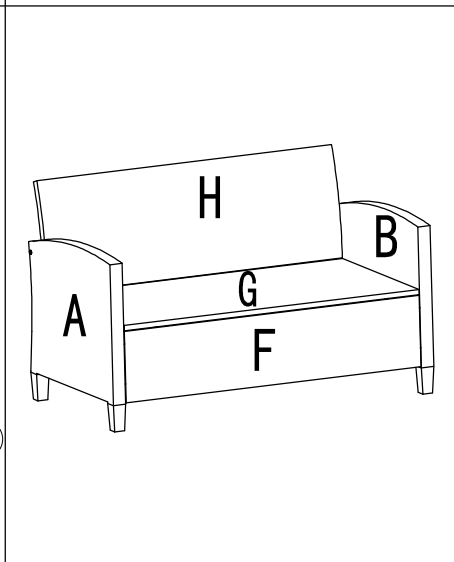
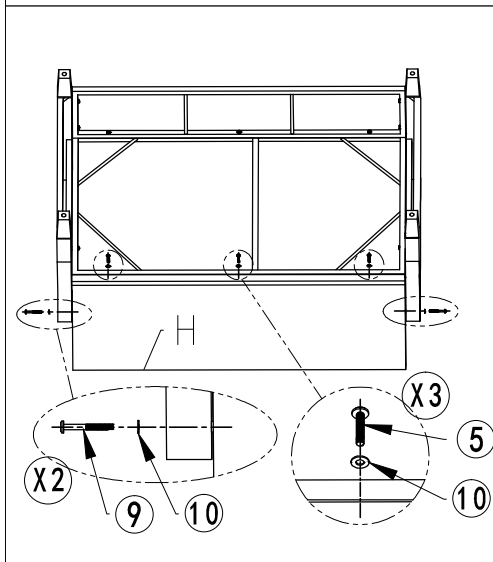
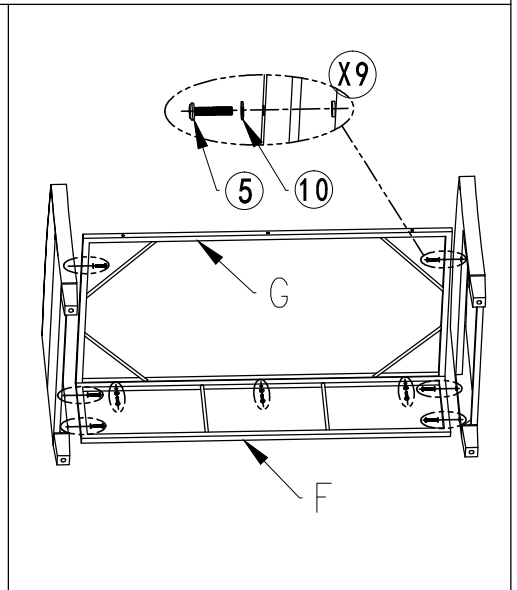
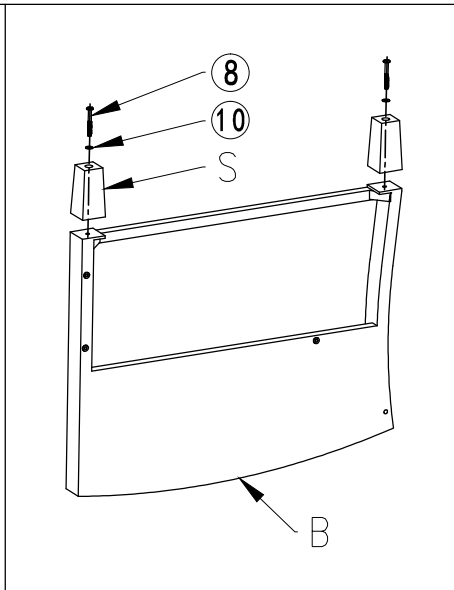
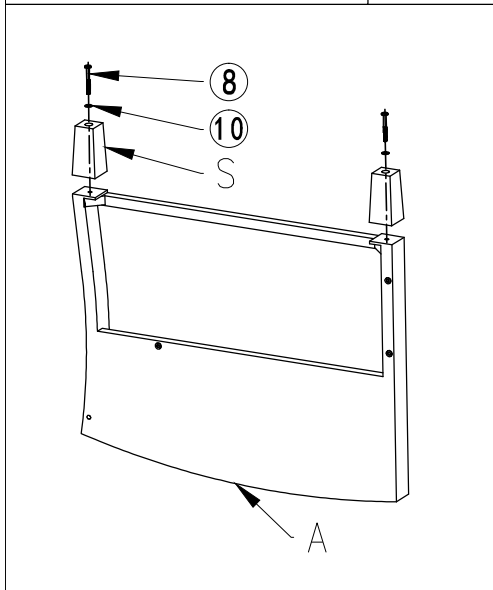
Single Chair (2PCS)

<p>A</p>  <p>1PC</p>	<p>B</p>  <p>1PC</p>	<p>C</p>  <p>1PC</p>	<p>D</p>  <p>1PC</p>
<p>E</p>  <p>1PC</p>	<p>S</p>  <p>4PCS</p>	<p>①</p>  <p>1PC</p>	<p>②</p>  <p>1PC</p>
<p>⑤</p>  <p>10PCS M6*30</p>	<p>⑧</p>  <p>4PCS M6*50</p>	<p>⑨</p>  <p>2PCS M6*55</p>	<p>⑩</p>  <p>16PCS $\phi 14 * \phi 6.5 * 1.5$</p>
<p>⑫</p>  <p>1PC</p>			

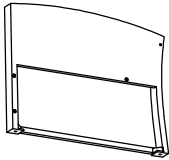
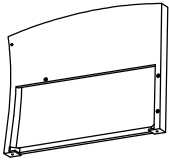
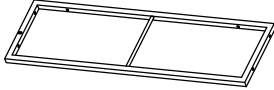
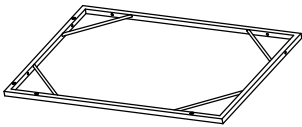

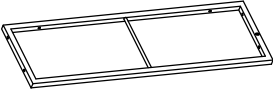
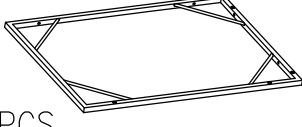
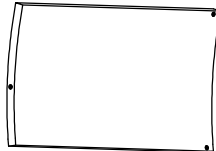

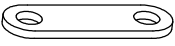


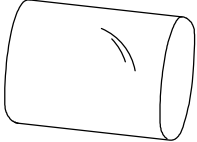



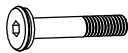
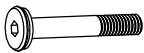
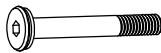


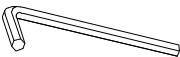



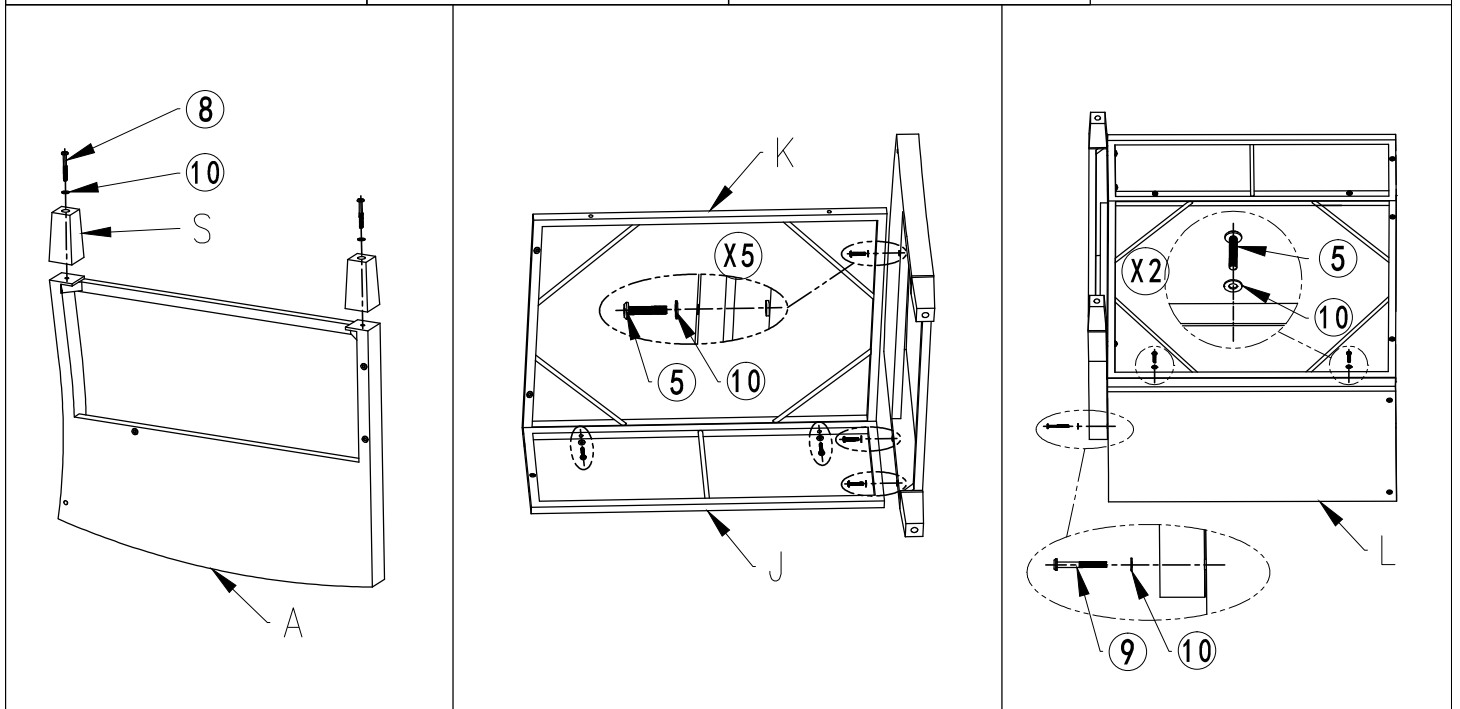
Loveseat (1PC)

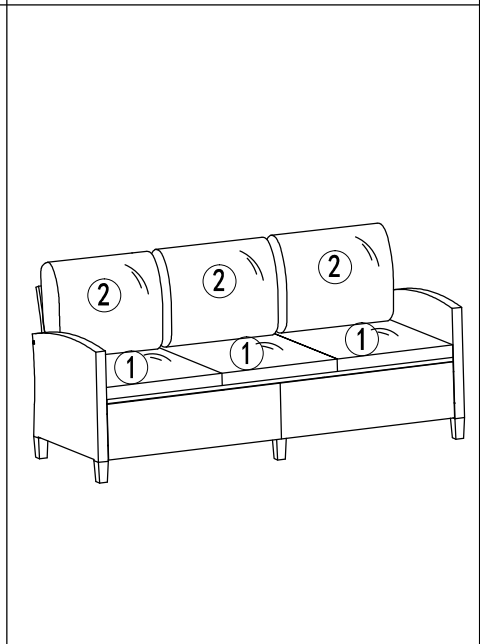
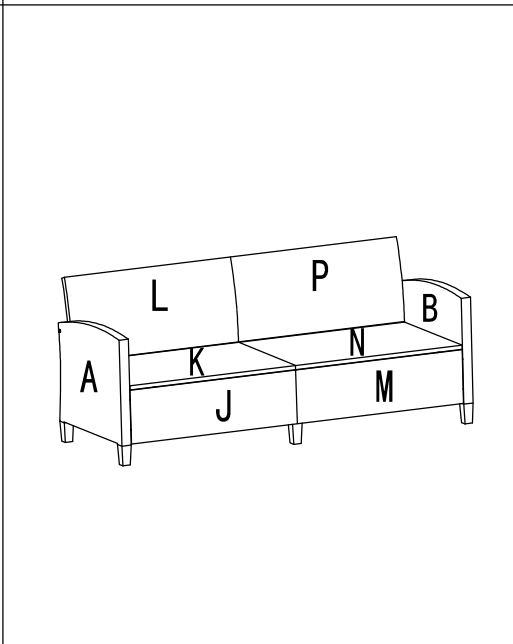
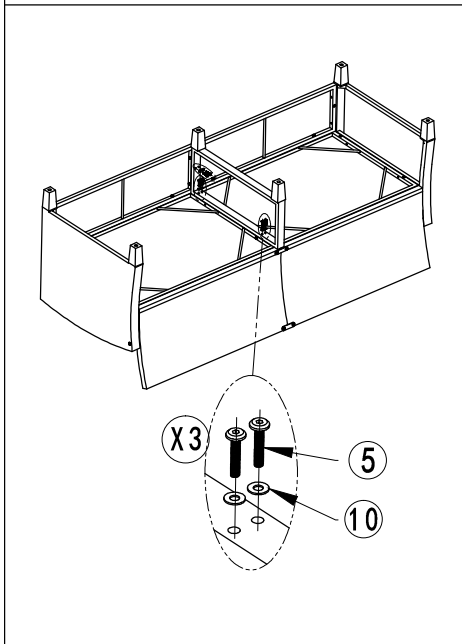
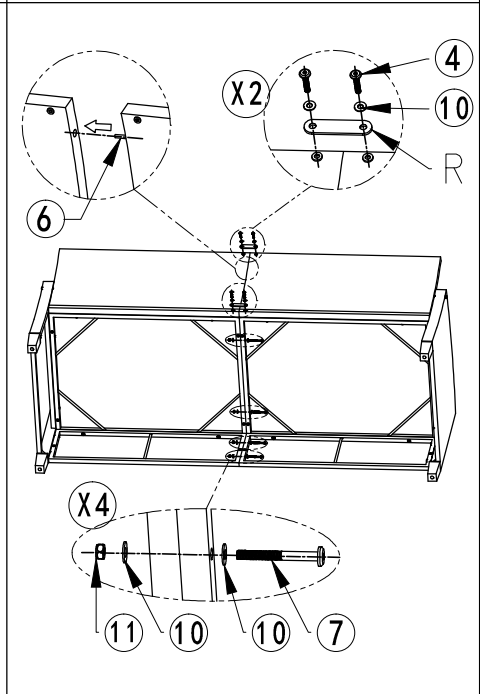
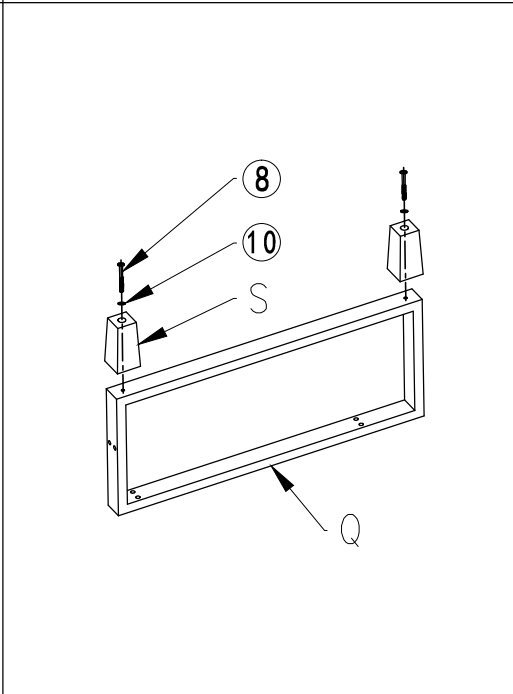
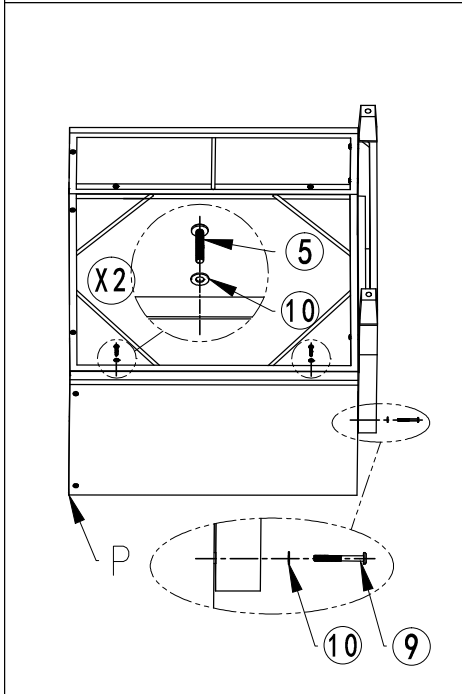
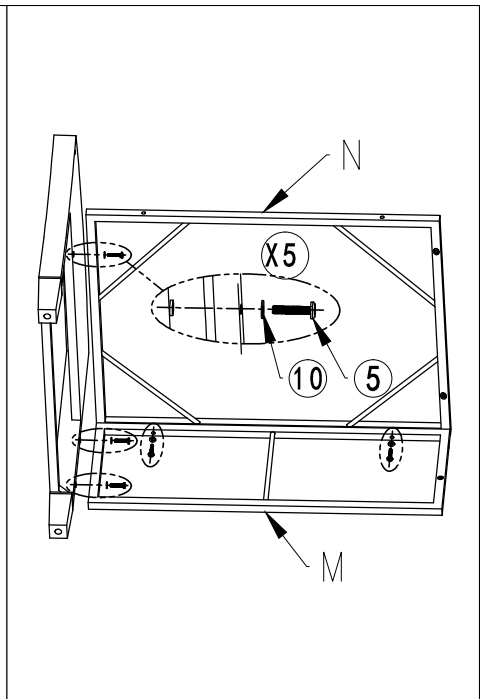
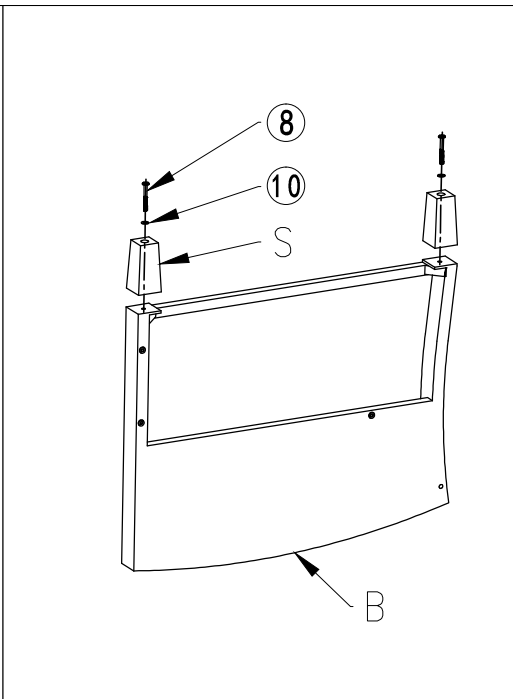
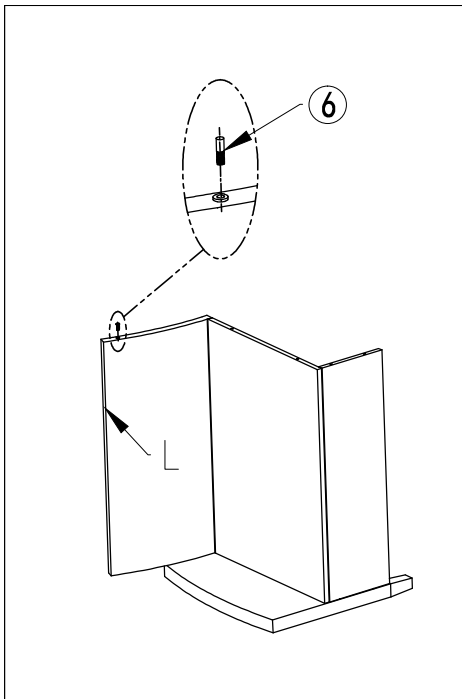
<p>A</p>  <p>1PC</p>	<p>B</p>  <p>1PC</p>	<p>F</p>  <p>1PC</p>	<p>G</p>  <p>1PC</p>
<p>H</p>  <p>1PC</p>	<p>S</p>  <p>4PCS</p>	<p>①</p>  <p>2PCS</p>	<p>②</p>  <p>2PCS</p>
<p>⑤</p>  <p>12PCS M6*30</p>	<p>⑧</p>  <p>4PCS M6*50</p>	<p>⑨</p>  <p>2PCS M6*55</p>	<p>⑩</p>  <p>18PCS $\phi 14 * \phi 6.5 * 1.5$</p>
<p>⑫</p>  <p>1PC</p>			



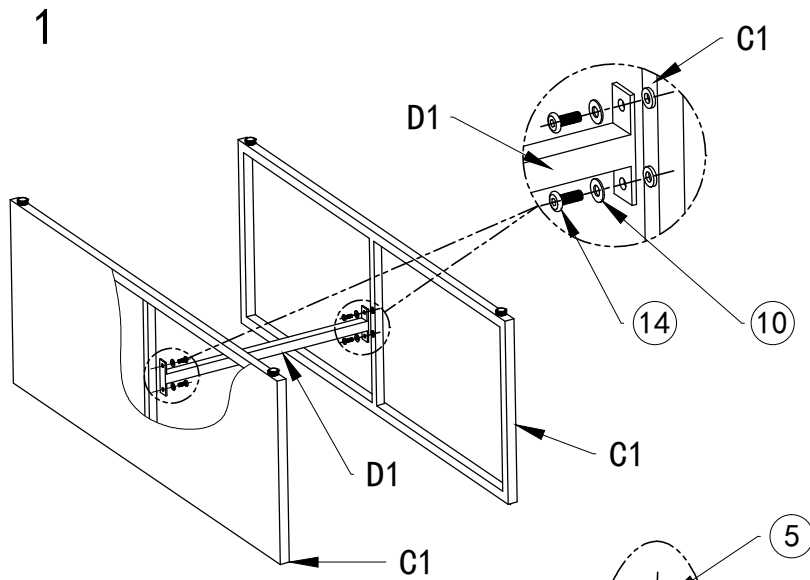
3-seat sofa (1PC)

<p>A</p>  <p>1PC</p>	<p>B</p>  <p>1PC</p>	<p>J</p>  <p>1PC</p>	<p>K</p>  <p>1PC</p>
<p>L</p>  <p>1PC</p>	<p>M</p>  <p>1PC</p>	<p>N</p>  <p>1PCS</p>	<p>P</p>  <p>1PCS</p>
<p>Q</p>  <p>1PC</p>	<p>R</p>  <p>2PCS</p>	<p>S</p>  <p>6PCS</p>	<p>①</p>  <p>3PCS</p>
<p>②</p>  <p>3PCS</p>	<p>④</p>  <p>4PCS M6*15</p>	<p>⑤</p>  <p>20PCS M6*30</p>	<p>⑥</p>  <p>1PC M6*35</p>
<p>⑦</p>  <p>4PCS M6*45</p>	<p>⑧</p>  <p>6PCS M6*50</p>	<p>⑨</p>  <p>2PCS M6*55</p>	<p>⑩</p>  <p>40PCS $\phi 14 * \phi 6.5 * 1.5$</p>
<p>⑪</p>  <p>4PCS M6</p>	<p>⑫</p>  <p>1PC</p>	<p>⑬</p>  <p>1PC</p>	

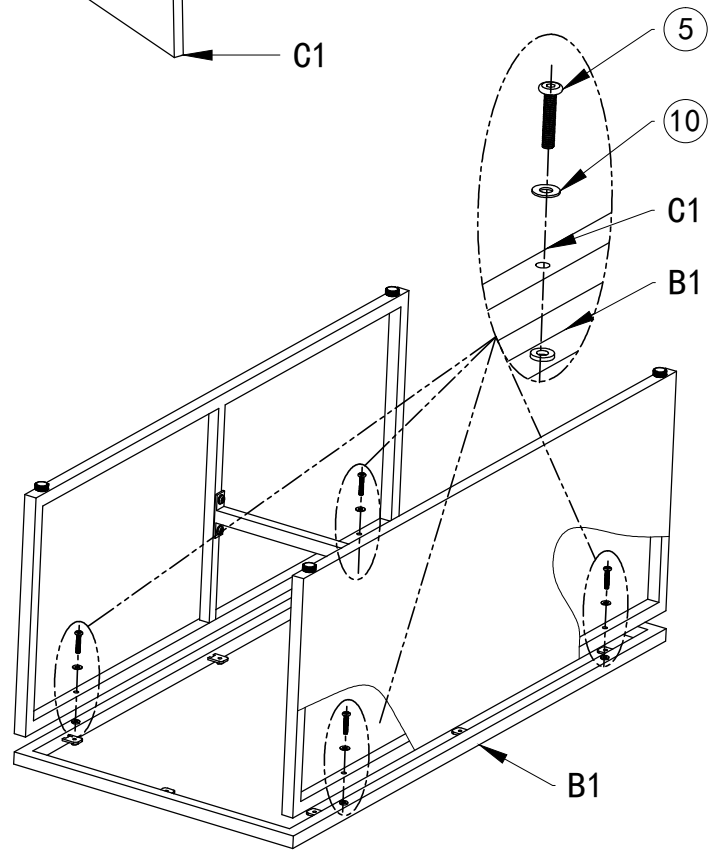




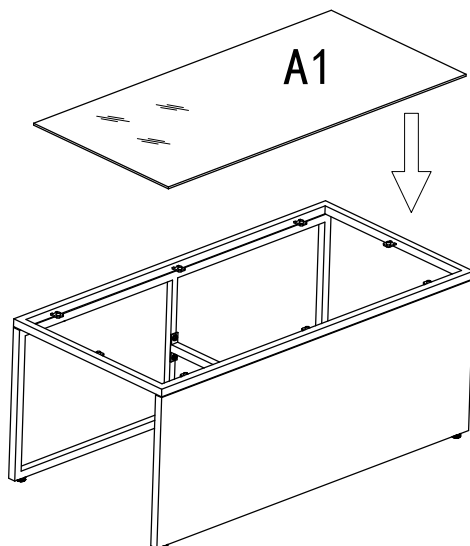
No.	Reference Image	Qty
A1		1
B1		1
C1		2
D1		1
14	 M6*15	4
5	 M6*30	4
10		8
12		1



2



3



4

